



US00D616447S

(12) **United States Design Patent**  
**Smith**

(10) **Patent No.:** **US D616,447 S**  
(45) **Date of Patent:** **\*\* May 25, 2010**

(54) **FINGER SHEATH WITH RETRACTABLE  
STYLUS**

(76) Inventor: **Howard Smith**, 42554 Drennon Ct.,  
Temecula, CA (US) 92592

(\*\*) Term: **14 Years**

(21) Appl. No.: **29/354,721**

(22) Filed: **Jan. 27, 2010**

D440,570 S	4/2001	Schneider	
6,225,988 B1	5/2001	Robb	
D443,301 S	6/2001	Robb	
6,249,277 B1 *	6/2001	Varveris	..... 345/179
D458,933 S	6/2002	Schneider	
D462,718 S	9/2002	Kobayashi	
D462,993 S	9/2002	Kobayashi	
6,533,480 B2	3/2003	Schneider	
6,626,598 B2 *	9/2003	Schneider	..... 401/8
6,669,388 B1	12/2003	Short	

(Continued)

**Related U.S. Application Data**

(62) Division of application No. 29/341,007, filed on Jul. 29, 2009, now Pat. No. Des. 610,145, which is a division of application No. 29/291,837, filed on Sep. 17, 2007, now Pat. No. Des. 597,547.

(51) **LOC (9) Cl.** ..... **14-02**

(52) **U.S. Cl.** ..... **D14/411**

(58) **Field of Classification Search** ..... D14/402-411,  
D14/356, 388, 389, 383-385, 417, 426; 345/156-167,  
345/179; 463/36-38; 358/417-473; D19/35,  
D19/36, 41, 43, 51, 54, 56, 57; D3/29  
See application file for complete search history.

(56) **References Cited**

**U.S. PATENT DOCUMENTS**

36,652 A	10/1862	Jacobs	
1,184,710 A *	5/1916	Baumann	..... 83/860
1,379,777 A	5/1921	Oijerholm	
1,473,953 A	11/1923	Dart	
2,415,957 A	2/1947	McCormack	
D212,981 S *	12/1968	Laybourne	..... D19/41
D238,357 S	1/1976	Di Carlo	
D246,904 S *	1/1978	MacIntosh	..... D19/41
D253,416 S *	11/1979	MacIntosh	..... D19/41
D333,676 S *	3/1993	Bedol	..... D19/36
5,453,759 A	9/1995	Seebach	
5,803,322 A	9/1998	Boone et al.	
5,885,018 A	3/1999	Sato	
D418,494 S	1/2000	Robb	
D418,540 S	1/2000	Robb	
6,075,189 A	6/2000	Robb	

*Primary Examiner*—Stella M Reid  
*Assistant Examiner*—Deanna Fluegeman  
(74) *Attorney, Agent, or Firm*—Biotech Beach Law Group,  
PC

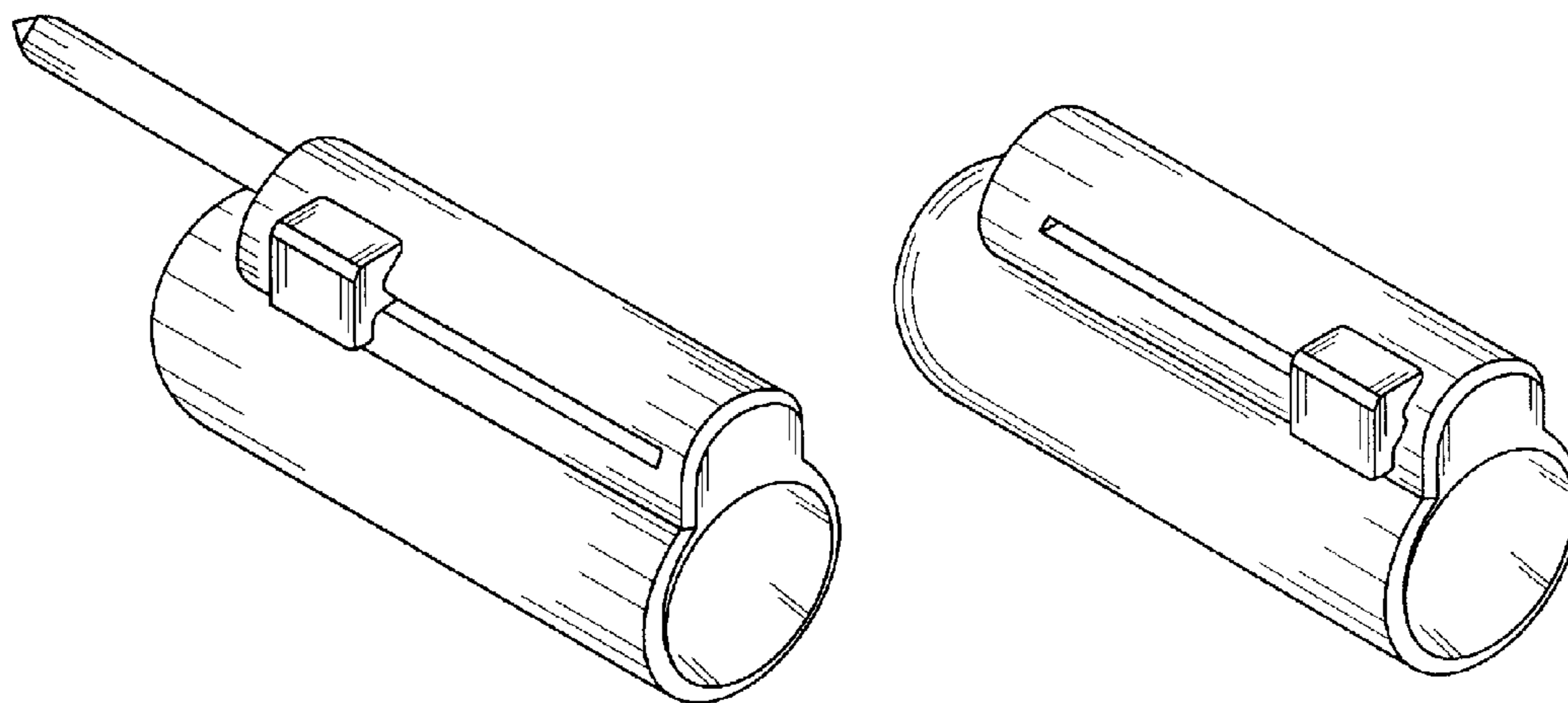
(57) **CLAIM**

I claim the ornamental design for a finger sheath with retractable stylus, as shown and described.

**DESCRIPTION**

FIG. 1 is a rear, left, top view of a finger sheath with retractable stylus showing my new design;  
FIG. 2 is left side elevational view thereof;  
FIG. 3 is a right side elevational view thereof;  
FIG. 4 is a top plan view thereof;  
FIG. 5 is a bottom plan view thereof;  
FIG. 6 is a front elevational view thereof;  
FIG. 7 is a rear elevational view thereof;  
FIG. 8 is a rear, left, top view of the finger sheath with retractable stylus shown in an alternative position of use, wherein the stylus is depicted in a retracted or closed configuration;  
FIG. 9 is a left side elevational view thereof;  
FIG. 10 is a right side elevational view thereof;  
FIG. 11 is a front elevational view thereof; and,  
FIG. 12 is a rear elevational view thereof.

**1 Claim, 4 Drawing Sheets**



# US D616,447 S

Page 2

---

U.S. PATENT DOCUMENTS			
D487,896 S	3/2004	Tanner, Jr.	
6,702,500 B1	3/2004	Haffner et al.	
D497,952 S	11/2004	Bain	
6,905,271 B1	6/2005	Short	
6,910,821 B1 *	6/2005	Smith .....	401/8
			* cited by examiner
		D544,484 S *	6/2007 Hussaini et al. .... D14/411
		D569,510 S *	5/2008 Poll et al. .... D24/135
		D569,511 S *	5/2008 Poll et al. .... D24/135
		D576,625 S *	9/2008 Trigg et al. .... D14/411
		2002/0101401 A1	8/2002 Movahed
		2008/0106521 A1 *	5/2008 Nave ..... 345/173

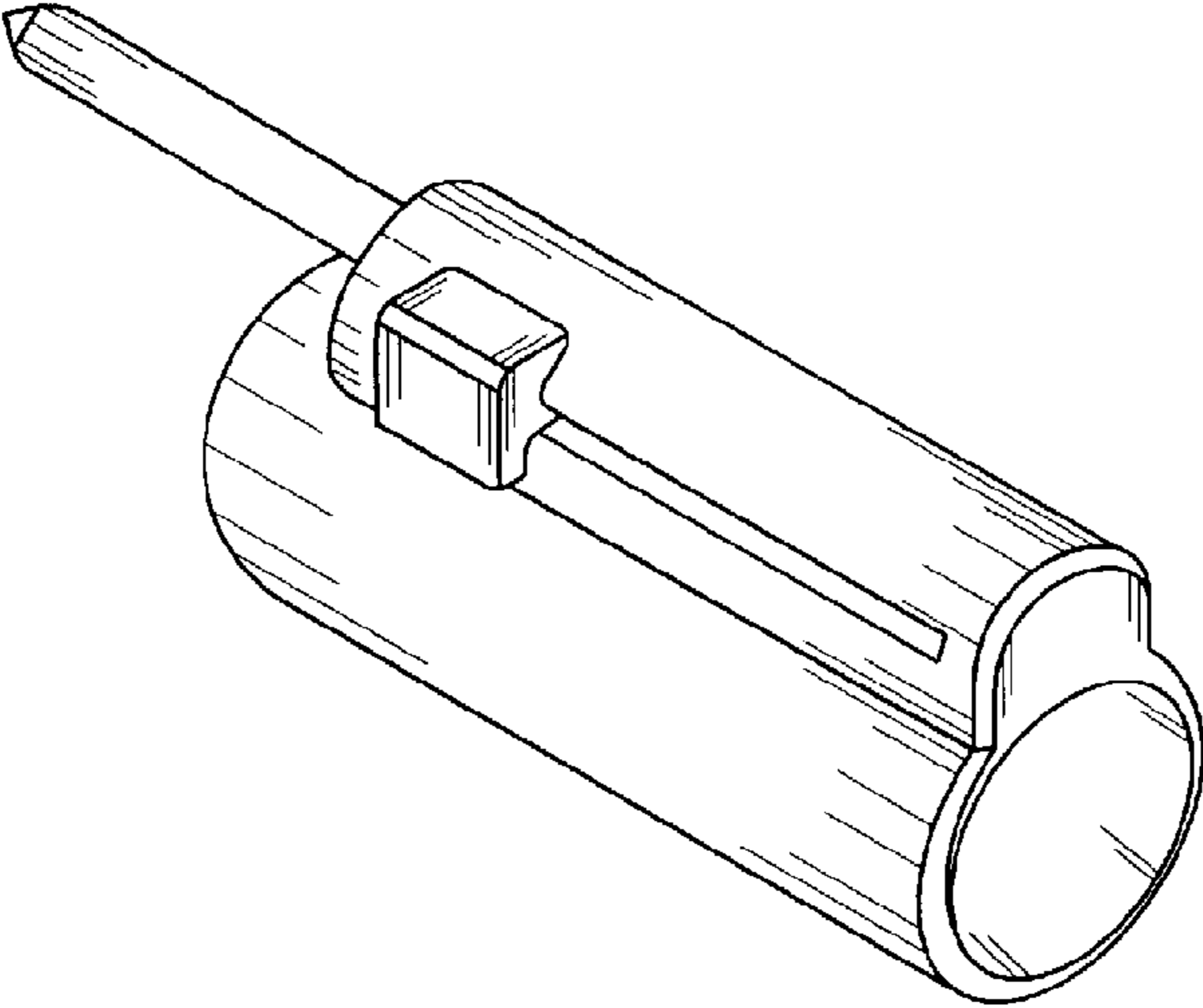


FIG. 1

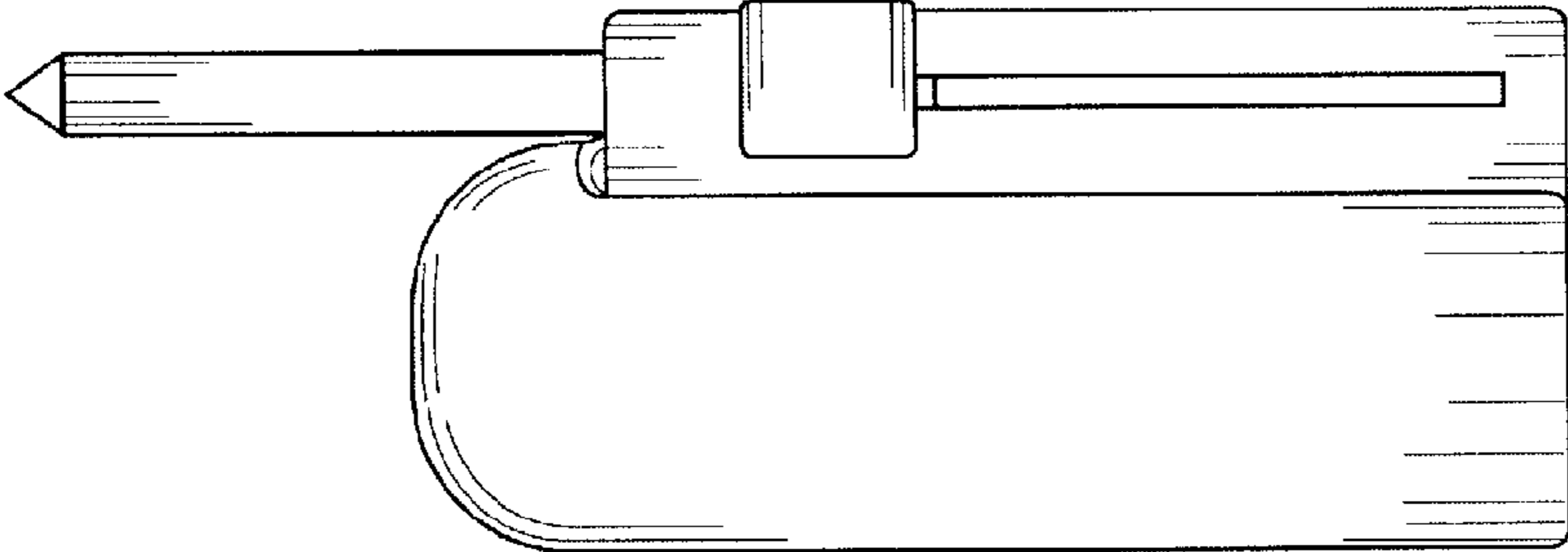


FIG. 2

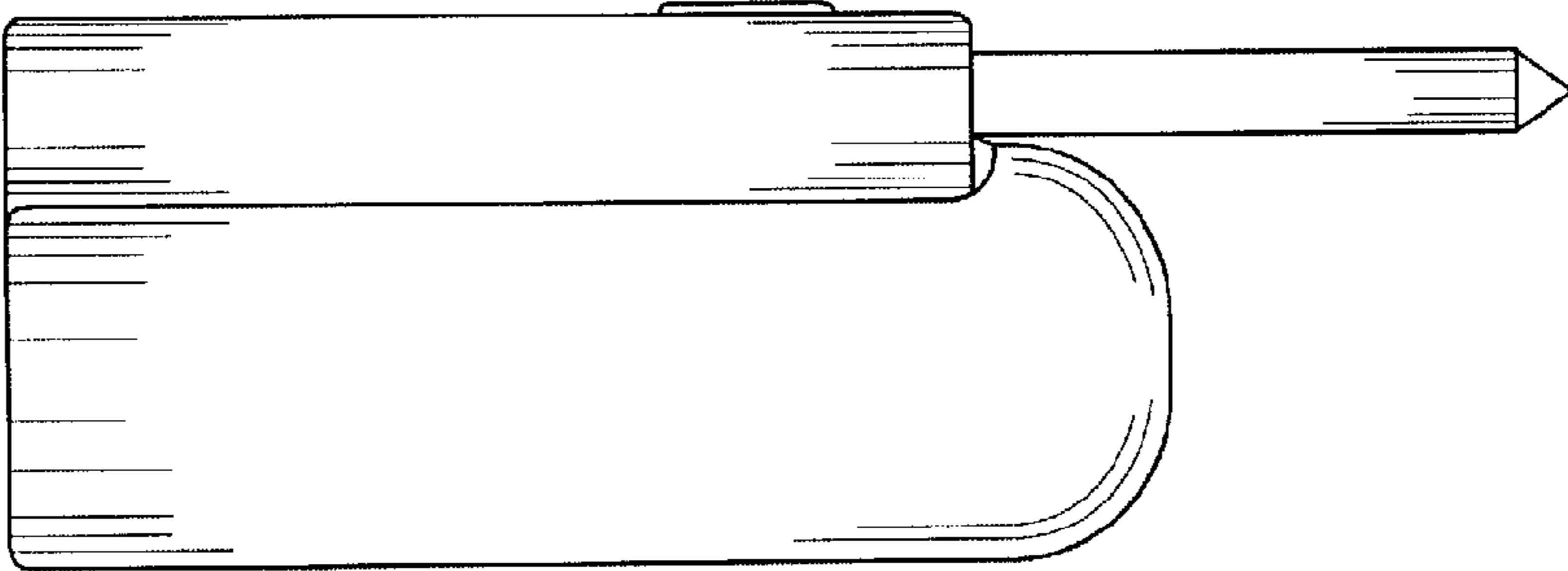


FIG. 3

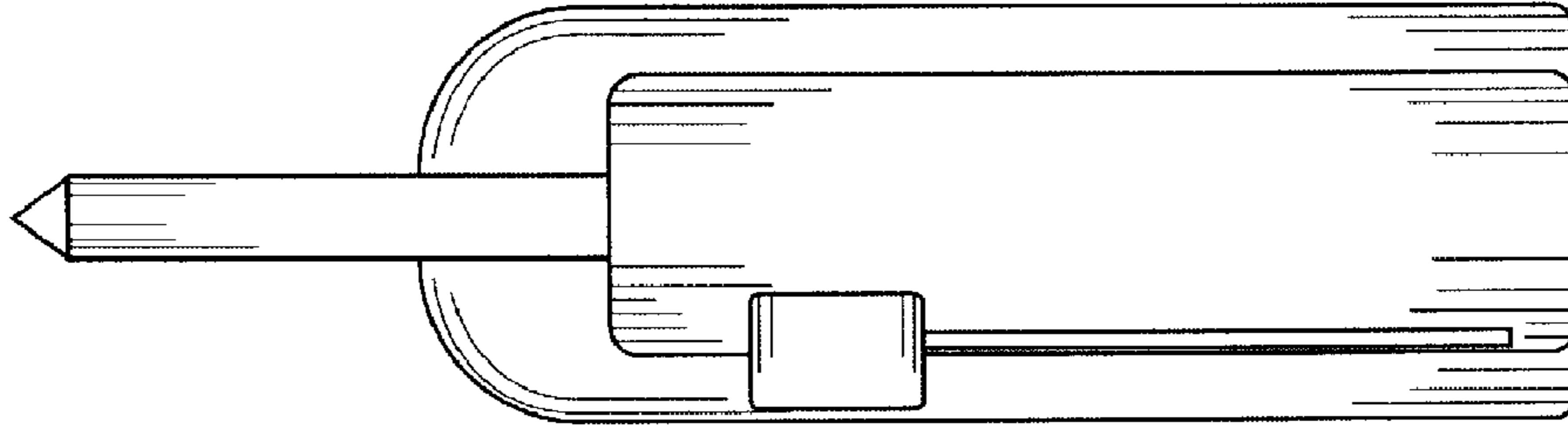


FIG. 4

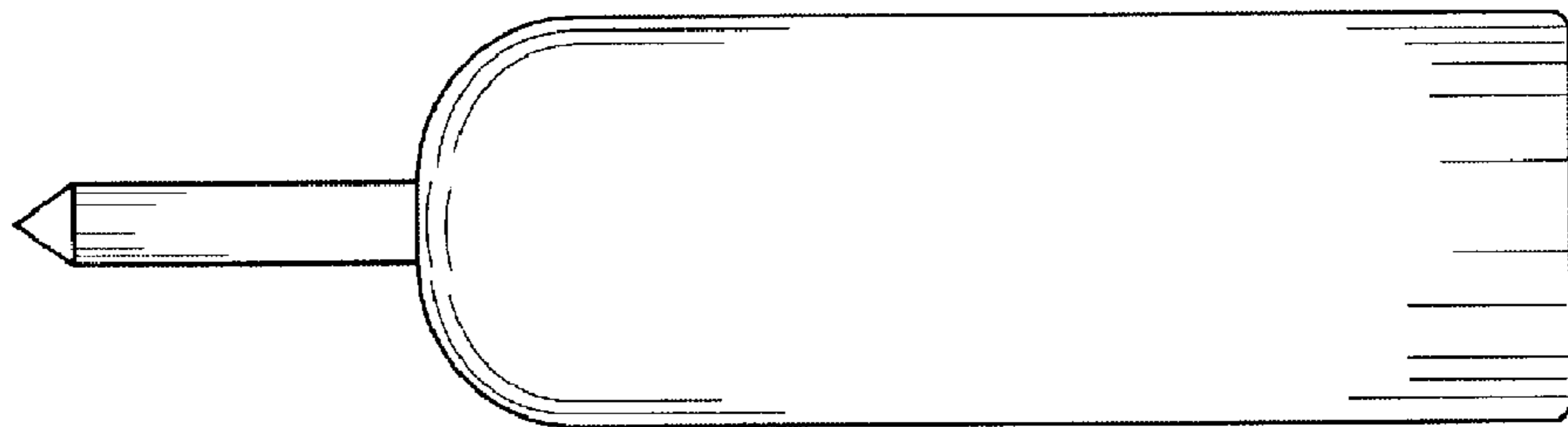


FIG. 5

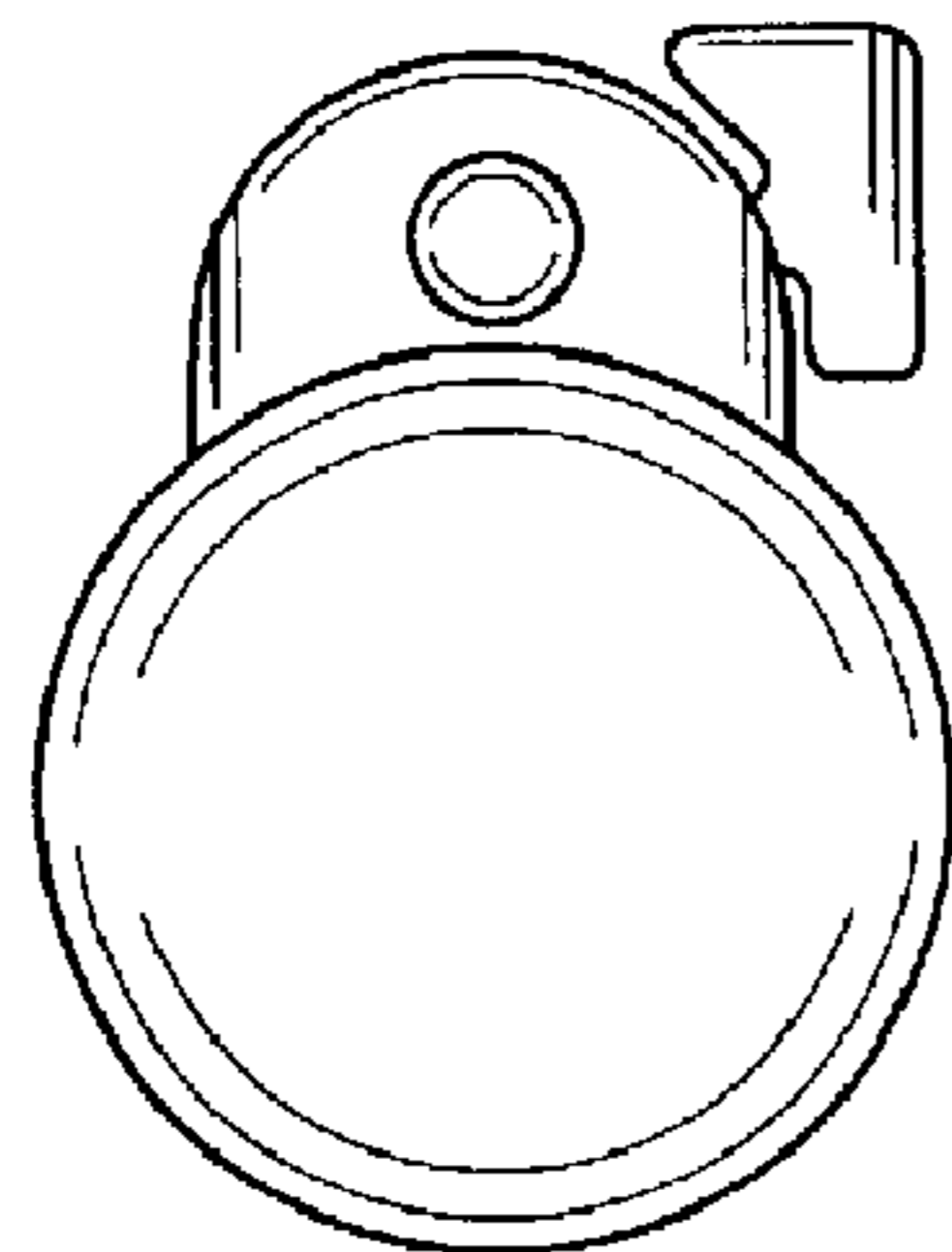


FIG. 6

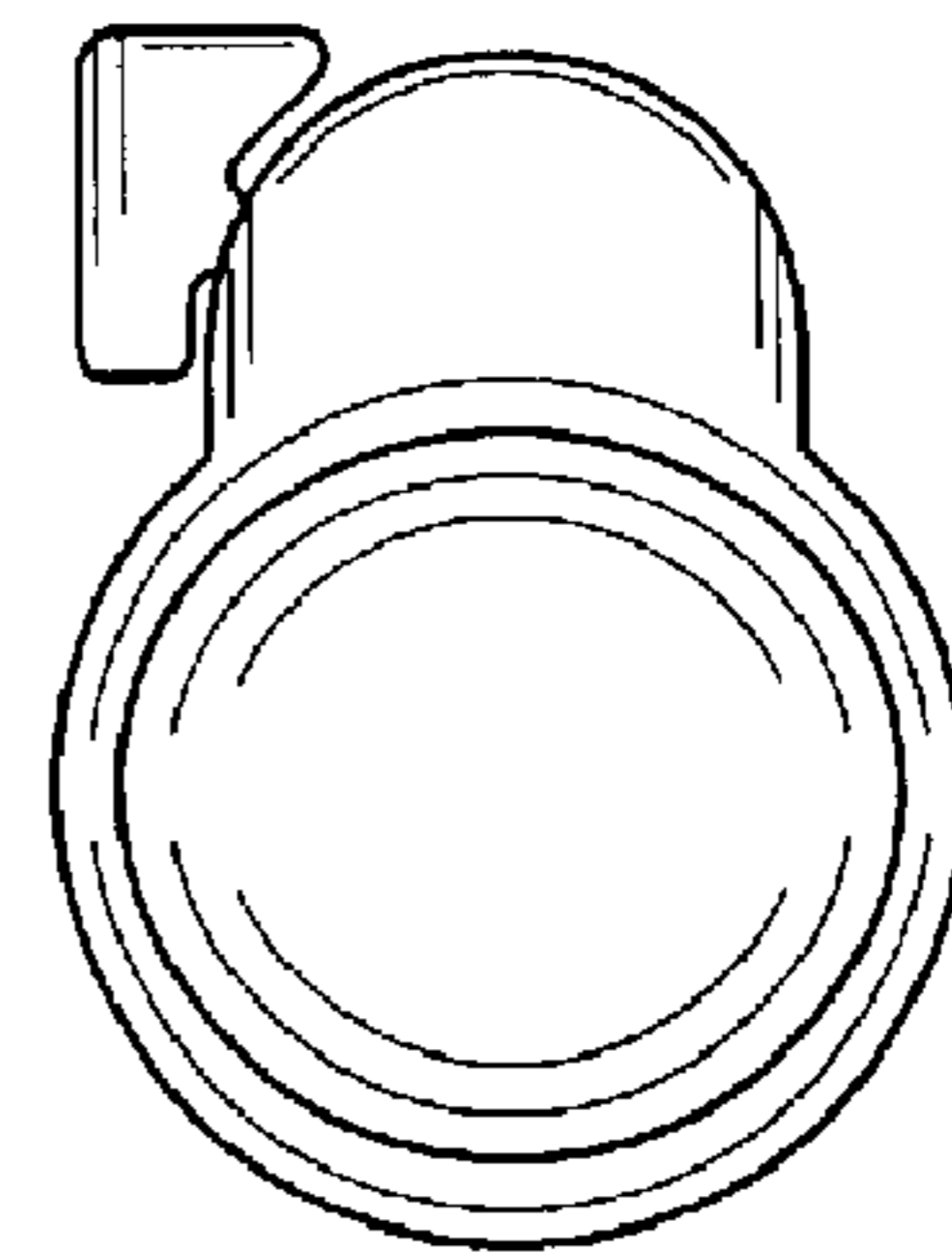


FIG. 7

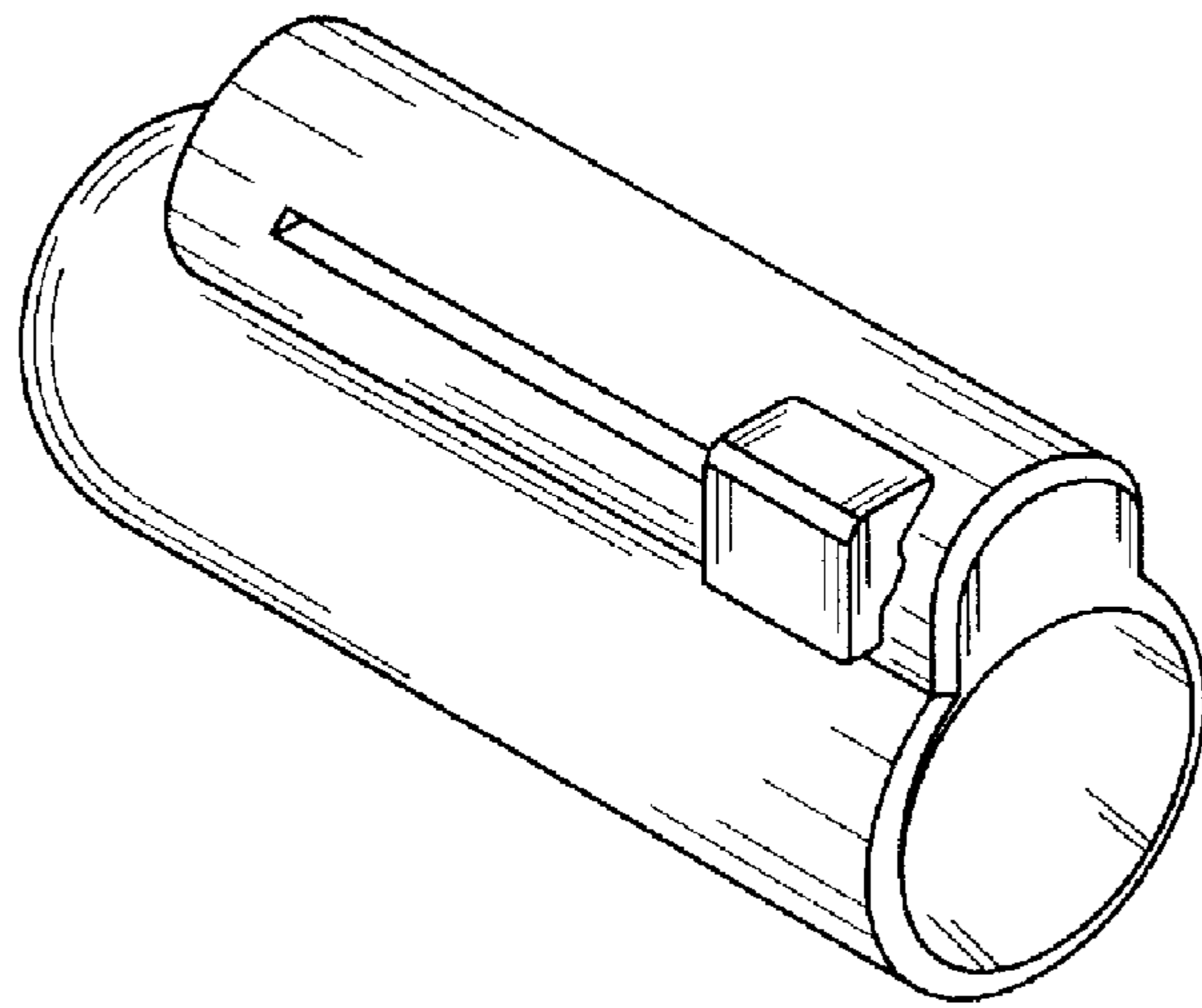


FIG. 8

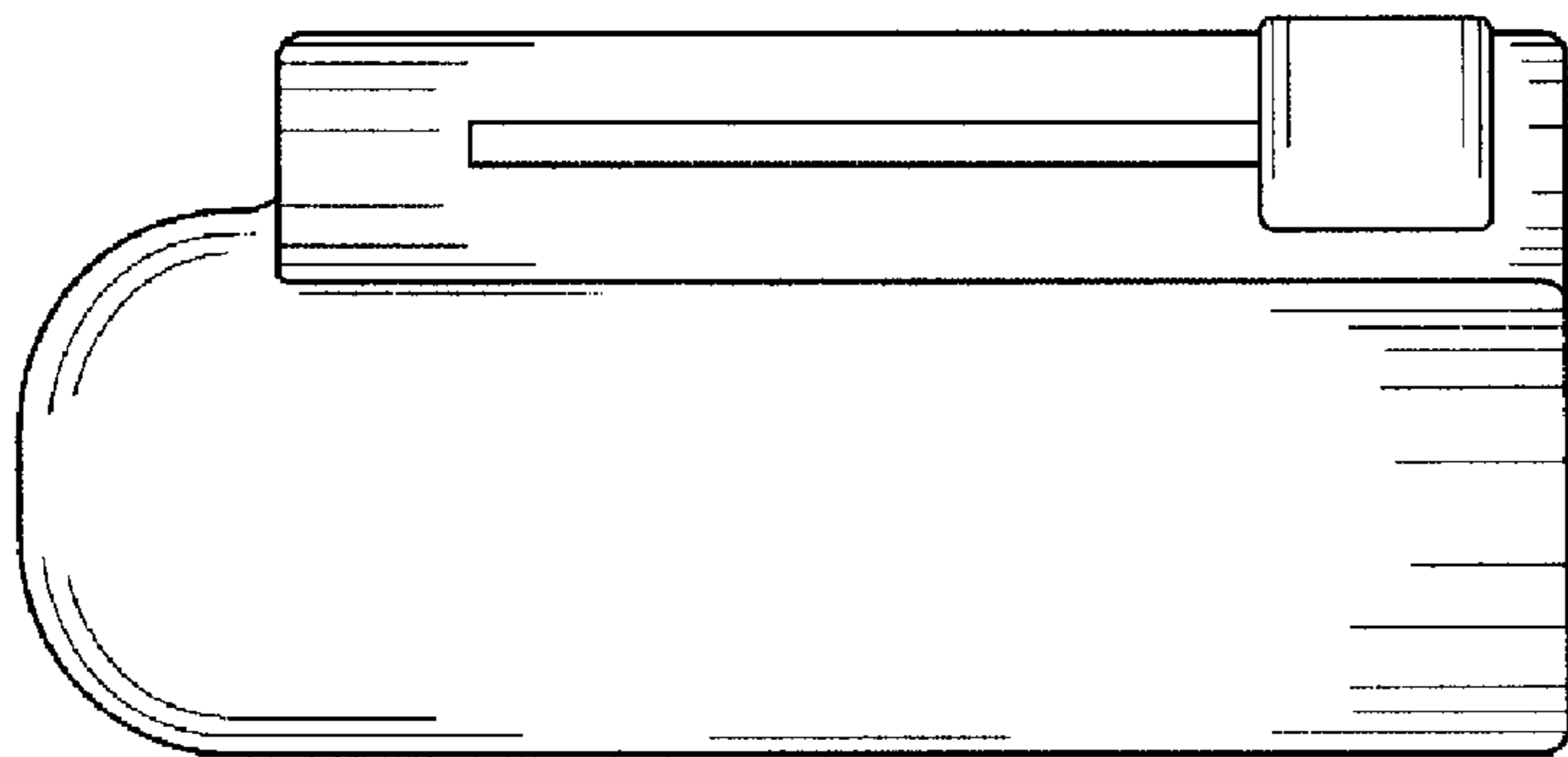


FIG. 9

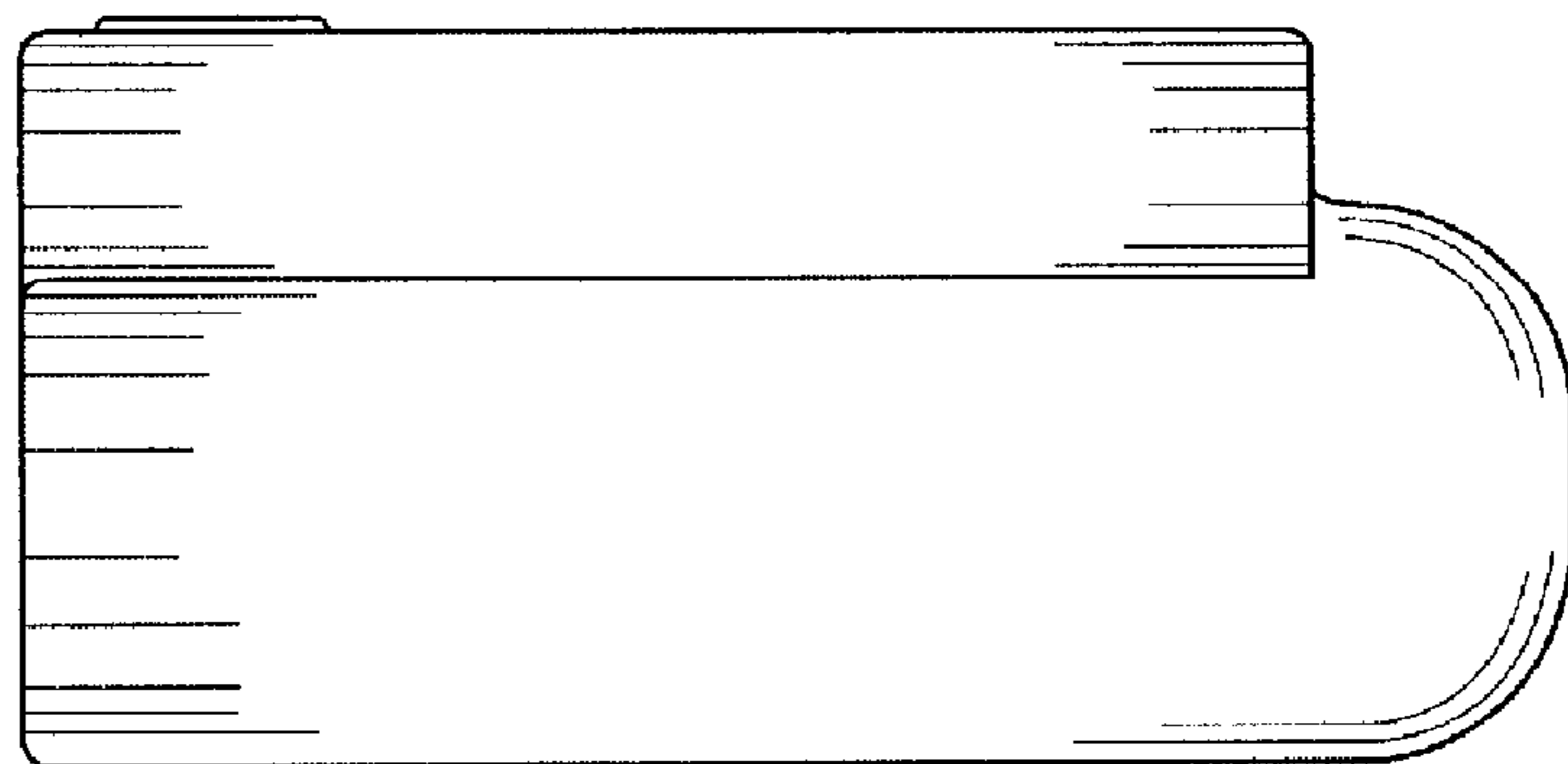


FIG. 10

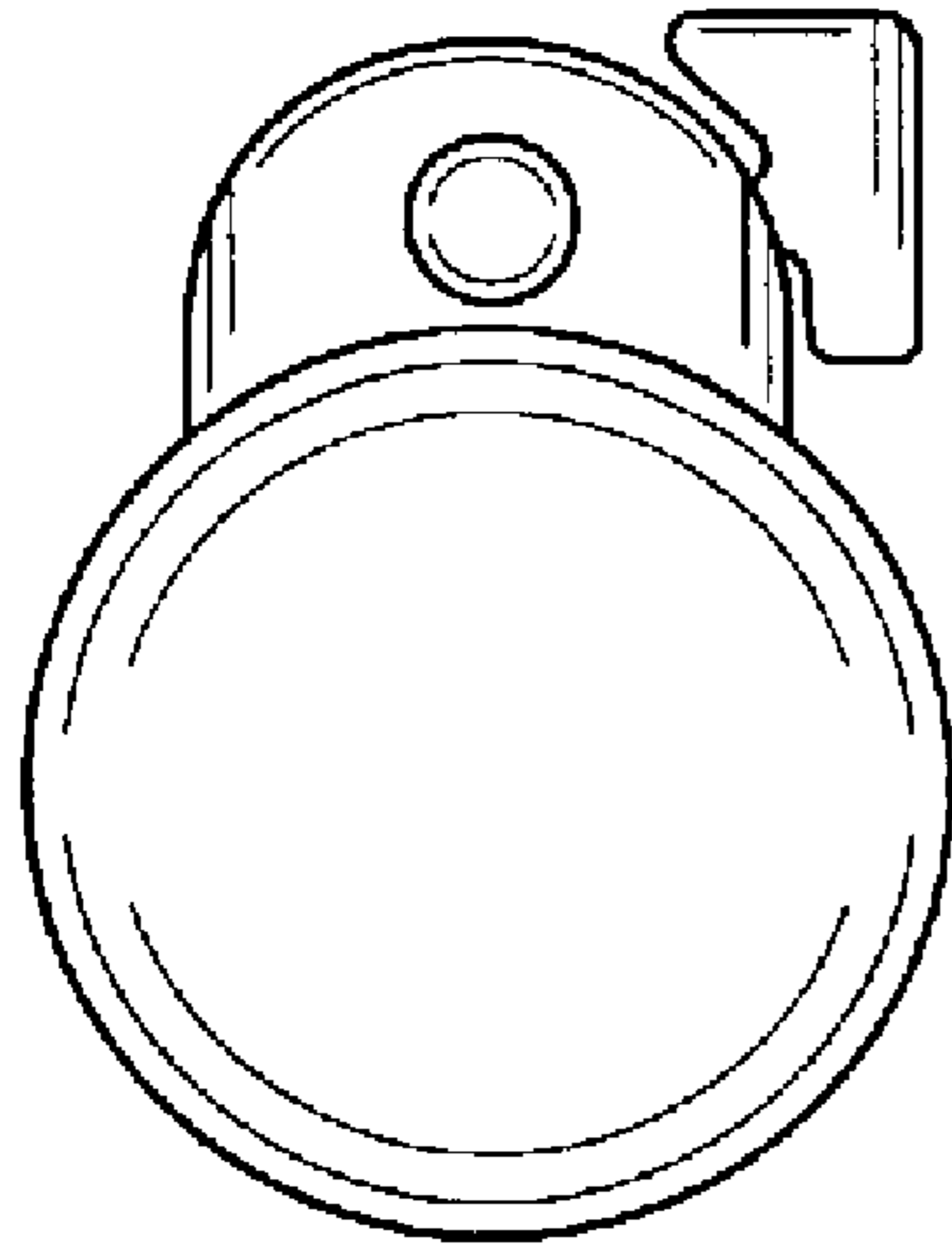


FIG. 11

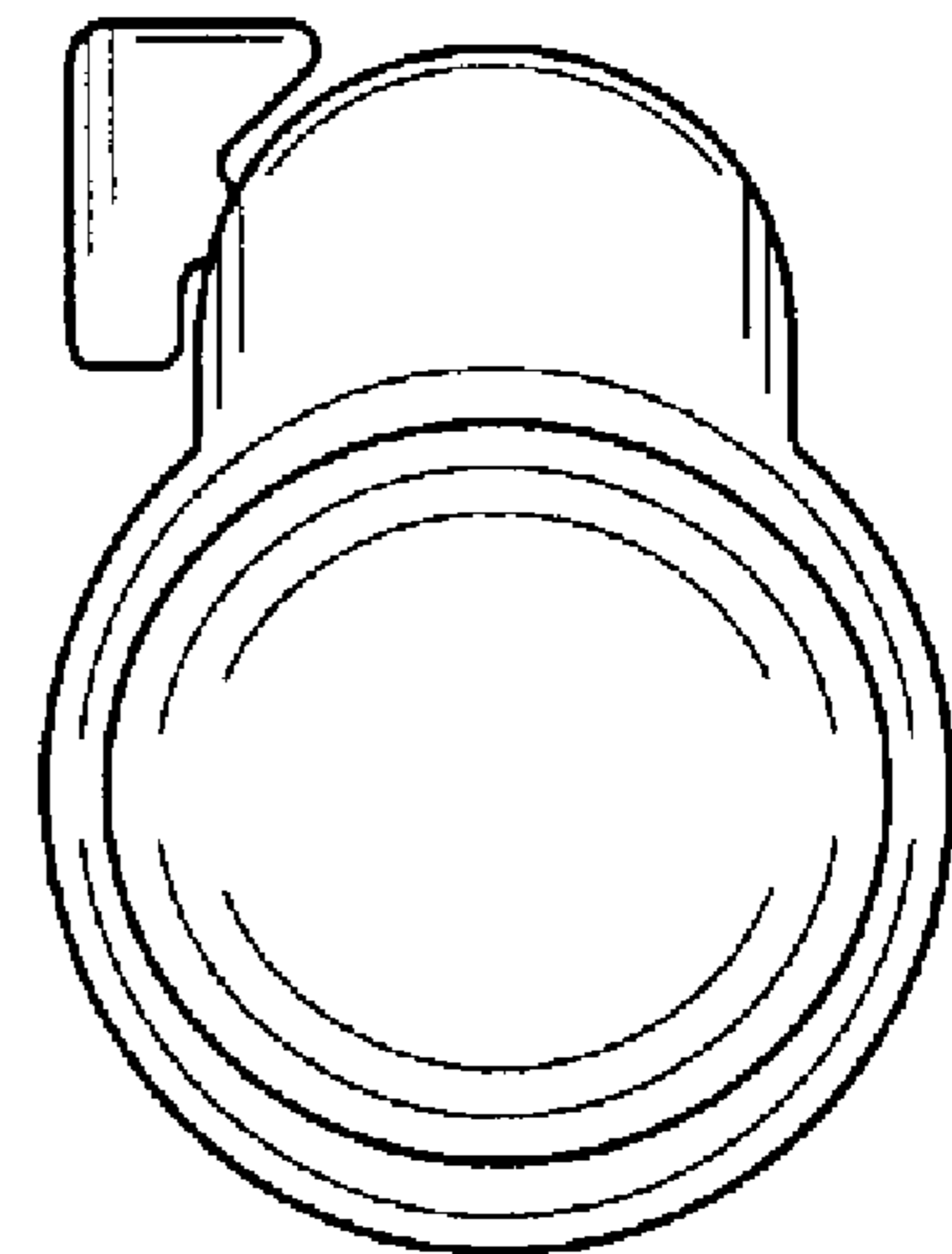


FIG. 12