



US00D616442S

(12) **United States Design Patent**  
**Lacotta et al.**

(10) **Patent No.:** **US D616,442 S**

(45) **Date of Patent:** **\*\* \*May 25, 2010**

(54) **GAME CONTROLLER**

(75) Inventors: **Paul Lacotta**, Tenafly, NJ (US); **Adam Sanchez**, Nutley, NJ (US); **William Fiebel**, Succasunna, NJ (US); **John Moldauer**, Hoboken, NJ (US); **Michael Cyrson**, New York, NY (US)

(73) Assignee: **Ergowerx LLC**, New York, NY (US)

(\*\*) Term: **14 Years**

(21) Appl. No.: **29/299,791**

(22) Filed: **Jan. 4, 2008**

(51) **LOC (9) Cl.** ..... **14-02**

(52) **U.S. Cl.** ..... **D14/401; D21/333**

(58) **Field of Classification Search** ..... D14/217,  
D14/218, 356, 388, 399-401, 412-416, 432,  
D14/434, 454-457, 496; D21/324, 332,  
D21/333; 463/1, 30, 36-38, 46, 47; 345/156-161,  
345/905

See application file for complete search history.

(56) **References Cited**

**U.S. PATENT DOCUMENTS**

|              |         |              |       |         |
|--------------|---------|--------------|-------|---------|
| D409,183 S * | 5/1999  | Chen         | ..... | D14/401 |
| D410,914 S * | 6/1999  | Tyler et al. | ..... | D14/401 |
| D415,752 S * | 10/1999 | Tyler et al. | ..... | D14/401 |
| D417,663 S * | 12/1999 | Peng         | ..... | D14/401 |

|              |         |                 |       |         |
|--------------|---------|-----------------|-------|---------|
| D417,664 S * | 12/1999 | Goto            | ..... | D14/401 |
| D420,660 S * | 2/2000  | Chen            | ..... | D14/401 |
| D469,436 S * | 1/2003  | Hussaini et al. | ..... | D14/401 |
| D476,336 S * | 6/2003  | Stephens et al. | ..... | D14/415 |
| D491,183 S * | 6/2004  | Swan et al.     | ..... | D14/401 |
| D571,368 S * | 6/2008  | Salter          | ..... | D14/401 |
| D601,149 S * | 9/2009  | Claussen        | ..... | D14/401 |

\* cited by examiner

*Primary Examiner*—Stella M Reid

*Assistant Examiner*—Keli L Hill

(74) *Attorney, Agent, or Firm*—Cohen Pontani Lieberman & Pavane LLP

(57) **CLAIM**

The ornamental design for a game controller, as shown and described.

**DESCRIPTION**

FIG. 1 is a top view of a game controller;

FIG. 2 is side view of the game controller;

FIG. 3 is a rear view of the game controller;

FIG. 4 is a front view of the game controller; and,

FIG. 5 is a bottom view of the game controller.

The broken line showing of the buttons and toggles is included for the purpose of illustrating environmental structure and forms no part of the claimed design.

**1 Claim, 3 Drawing Sheets**

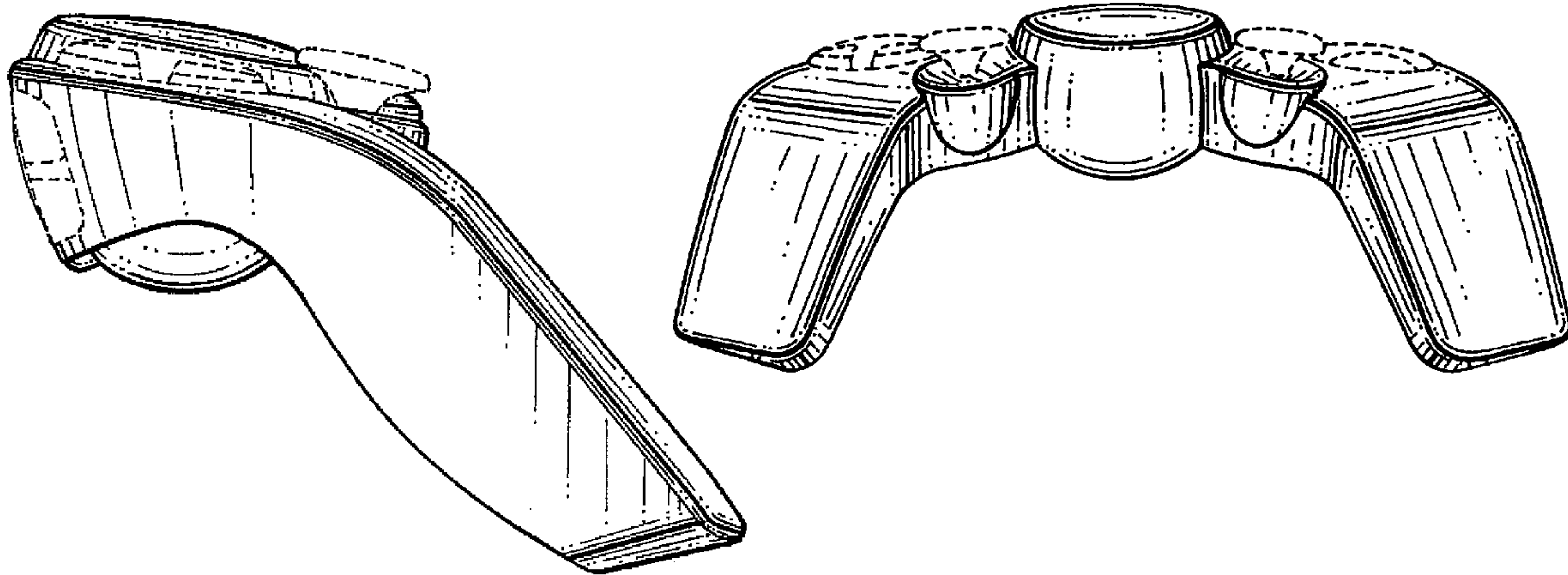


FIG. 1

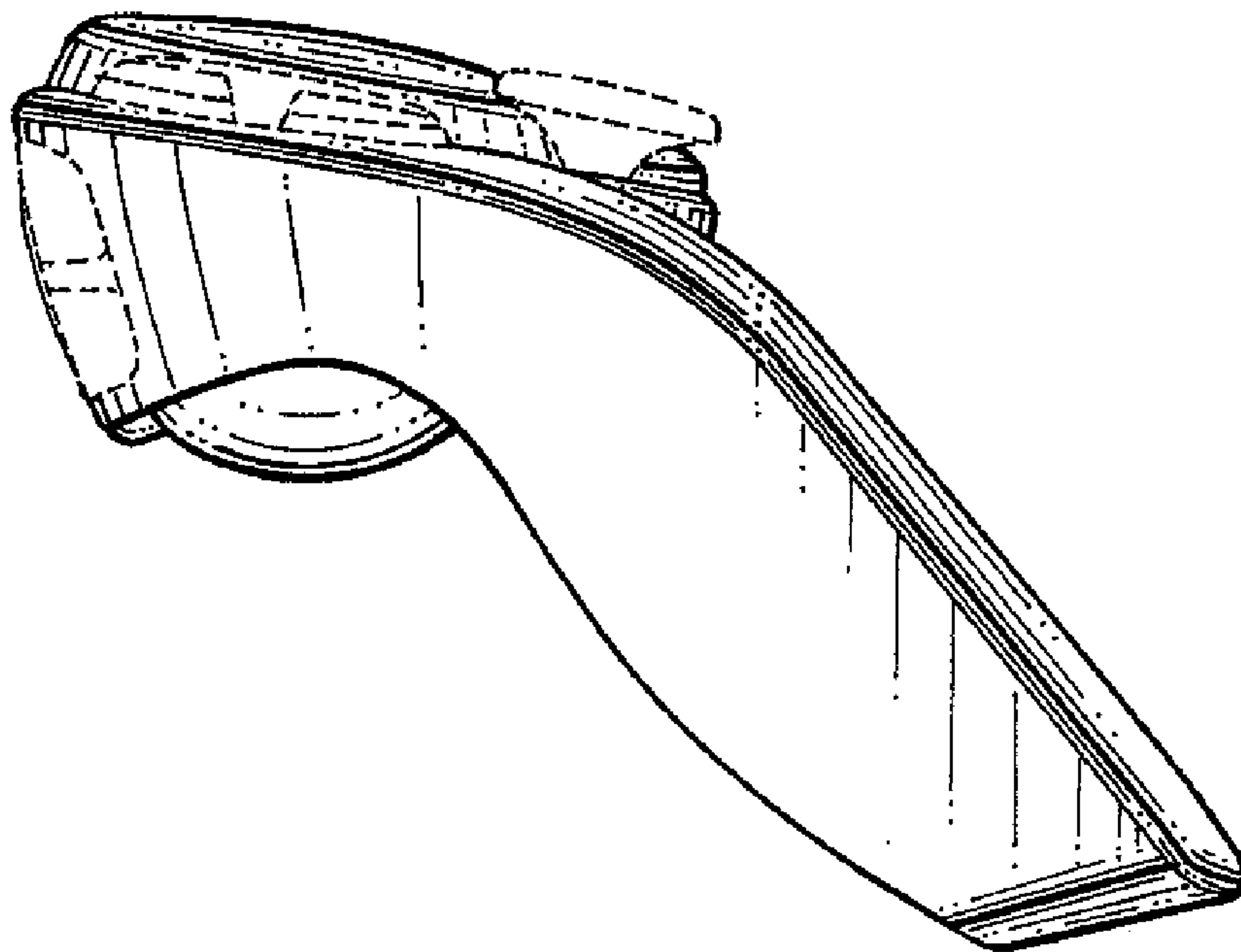
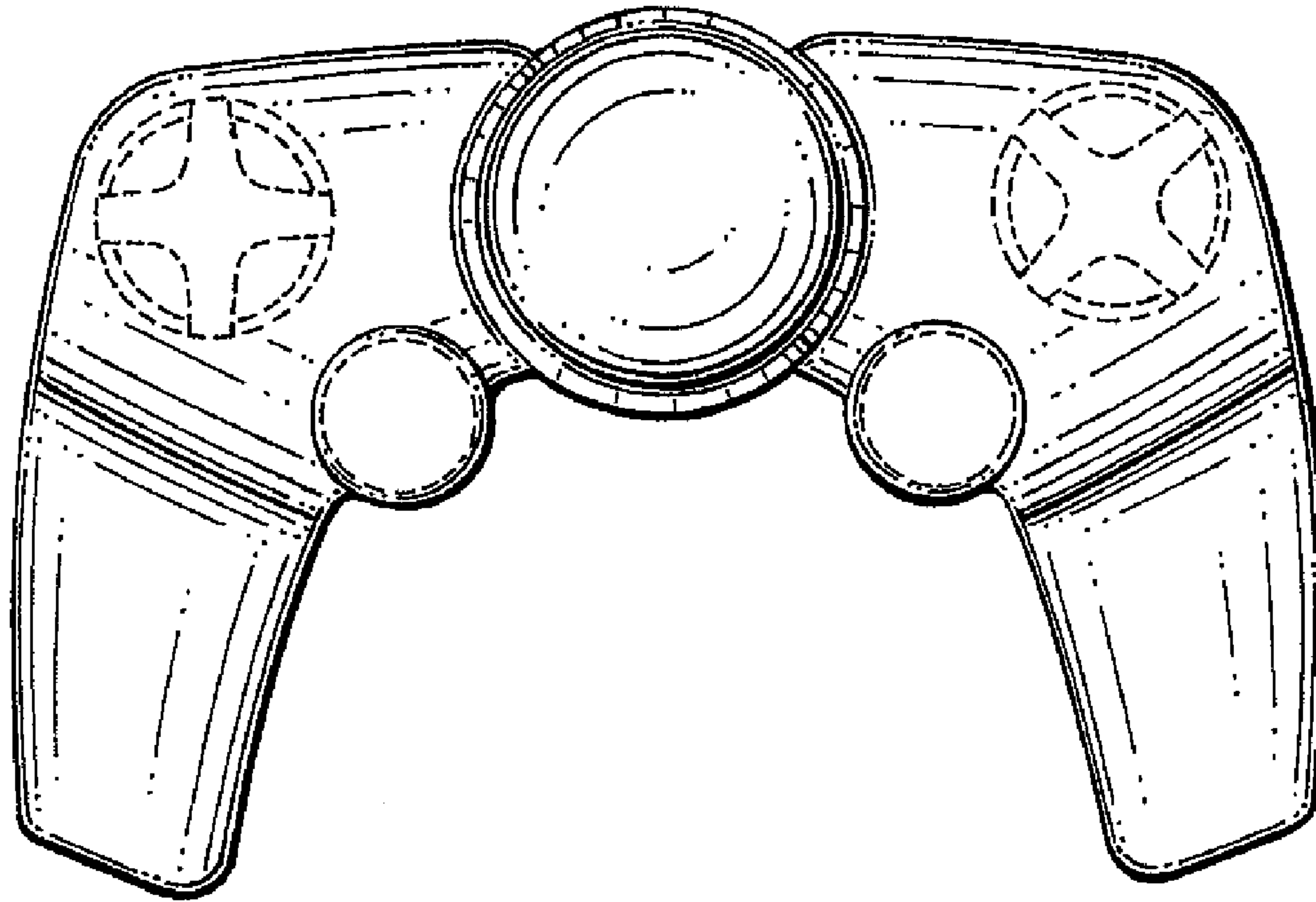


FIG. 2

FIG.3

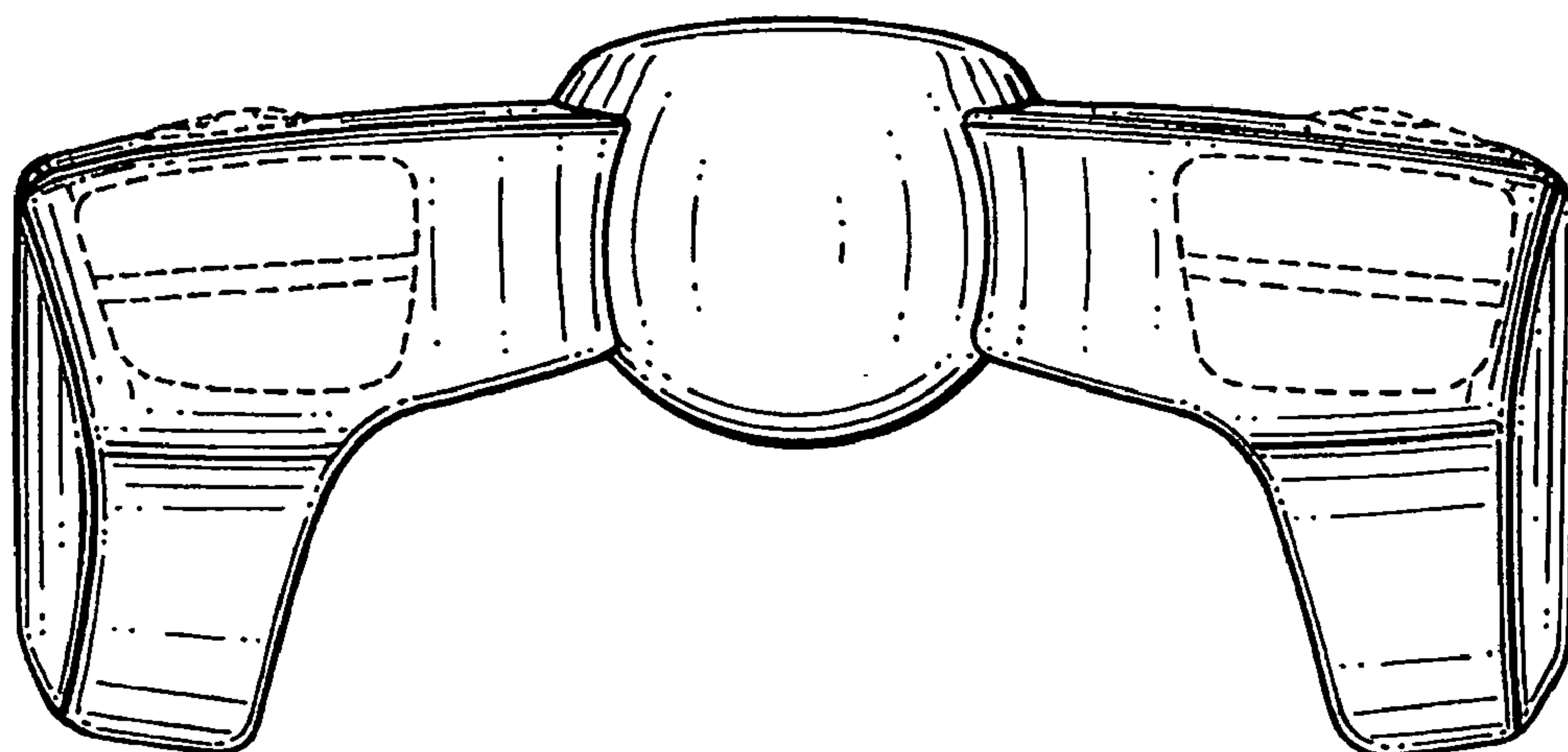
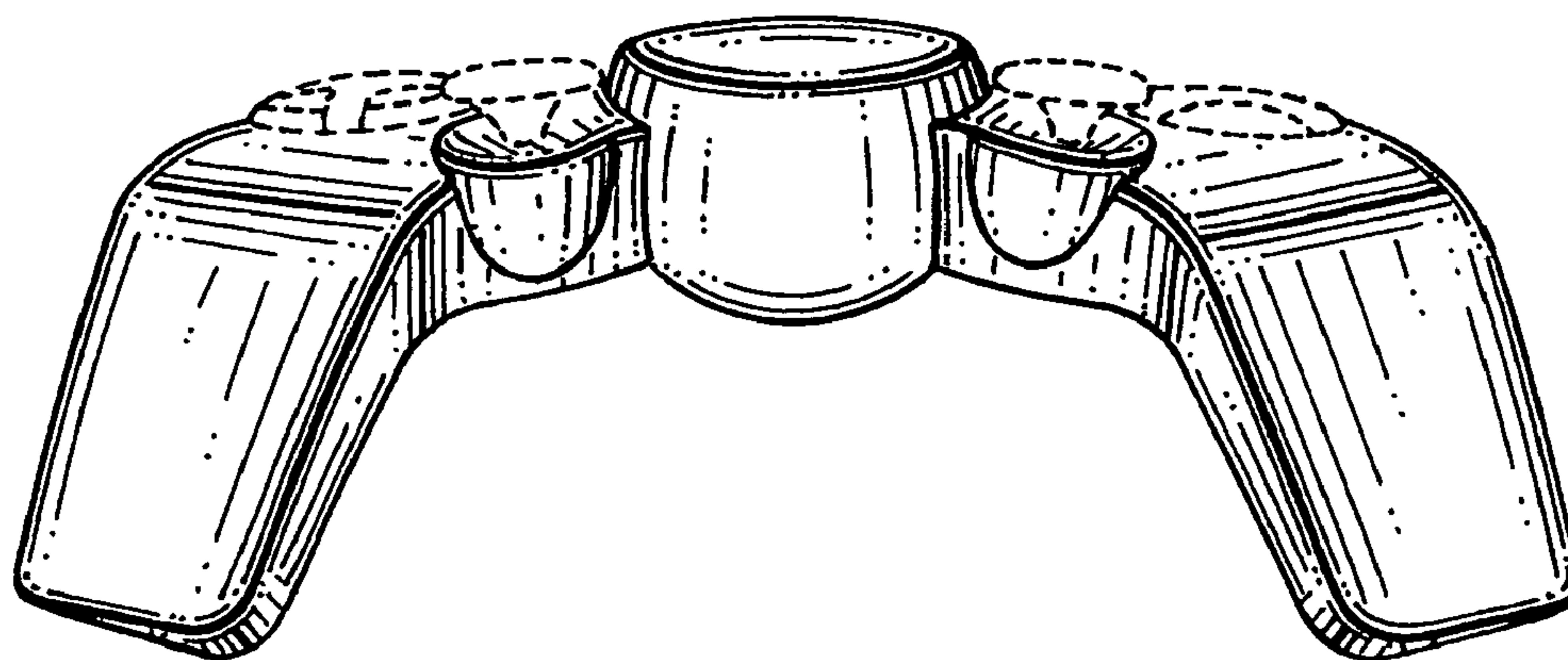


FIG.4

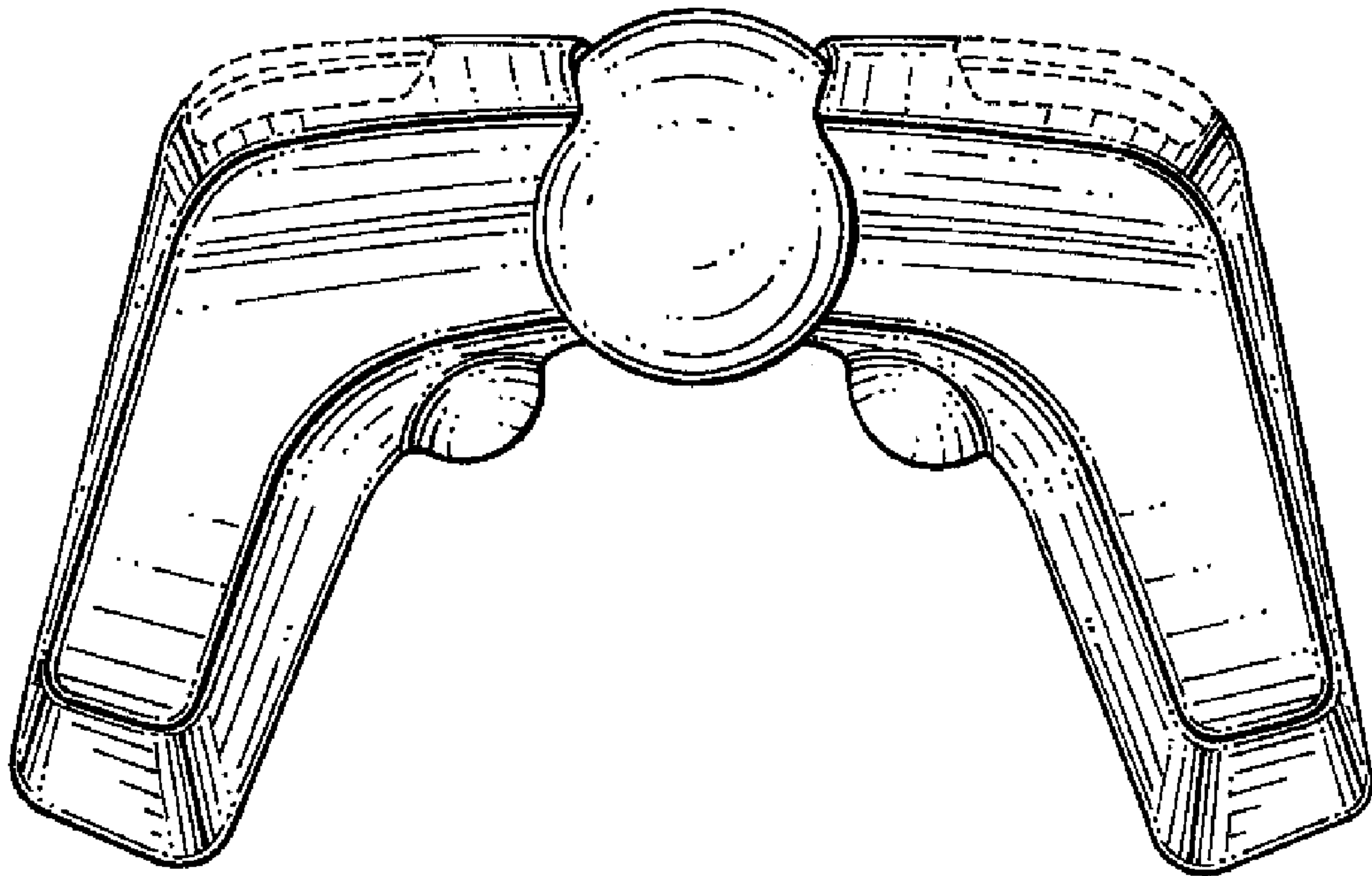


FIG.5