



US00D616439S

(12) **United States Design Patent**
Mugica et al.

(10) **Patent No.:** **US D616,439 S**

(45) **Date of Patent:** **** May 25, 2010**

(54) **SMART BIOMETRIC DATA CAPTURE
SUB-ASSEMBLY**

(75) Inventors: **Antonio Mugica**, Caracas (VE); **Roger Pinate**, Caracas (VE); **Paul Babic**, Caracas (VE); **Jorge M. Vasquez**, Weston, FL (US); **Romano Stasi**, Weston, FL (US); **Paul Chen**, Taipei (TW); **Ernesto Vecchi**, Tomball, TX (US); **German Dorta**, Caracas (VE); **Dimas Ulacio**, Caracas (VE); **Dany Farina**, Caracas (VE); **Luis Coronel**, Caracas (VE); **Fabiola Arrivillaga**, Caracas (VE)

(73) Assignee: **Smartmatic International Corporation**, St. Michael (BB)

(**) Term: **14 Years**

(21) Appl. No.: **29/338,849**

(22) Filed: **Jun. 19, 2009**

(51) **LOC (9) Cl.** **14-02**

(52) **U.S. Cl.** **D14/383; D14/384**

(58) **Field of Classification Search** D14/314,
D14/420, 421, 424, 383–387; D18/4.1–4.4;
D24/185, 186; 235/51, 54 F, 375, 380, 382,
235/382.5, 462.45, 470; 345/179; 361/679.41;
600/301; 355/64, 65, 75, 81; 382/124–126

See application file for complete search history.

(56) **References Cited**

U.S. PATENT DOCUMENTS

D307,134 S * 4/1990 Makidera D14/342
5,103,486 A * 4/1992 Grippi 382/116
5,657,201 A * 8/1997 Kochis 361/679.41

6,340,115 B1 * 1/2002 Swartz 235/462.45
6,357,663 B1 * 3/2002 Takahashi et al. 235/486
6,575,904 B2 * 6/2003 Nagai et al. 600/301
6,641,033 B2 * 11/2003 McClure et al. 235/51
6,736,316 B2 * 5/2004 Neumark 235/383
6,857,567 B2 * 2/2005 Latimer et al. 235/383
D522,511 S * 6/2006 Sekou D14/385
D532,009 S * 11/2006 Zank et al. D14/342
D536,793 S * 2/2007 Assad et al. D24/185
D567,125 S * 4/2008 Okabe et al. D10/81
D586,812 S * 2/2009 Guenther D14/383
2003/0132918 A1 * 7/2003 Fitch et al. 345/173
2008/0170049 A1 * 7/2008 Larson et al. 345/179
2008/0309645 A1 * 12/2008 Wang 345/179
2009/0131077 A1 * 5/2009 Paratore et al. 455/456.1

* cited by examiner

Primary Examiner—Freda S Nunn

(74) *Attorney, Agent, or Firm*—Oliff & Berridge, PLC

(57) **CLAIM**

The ornamental design for a smart biometric data capture sub-assembly, as shown and described.

DESCRIPTION

FIG. 1 is a perspective view of a smart biometric data capture sub-assembly;

FIG. 2 is a front view thereof;

FIG. 3 is a top view thereof;

FIG. 4 is a right side view thereof;

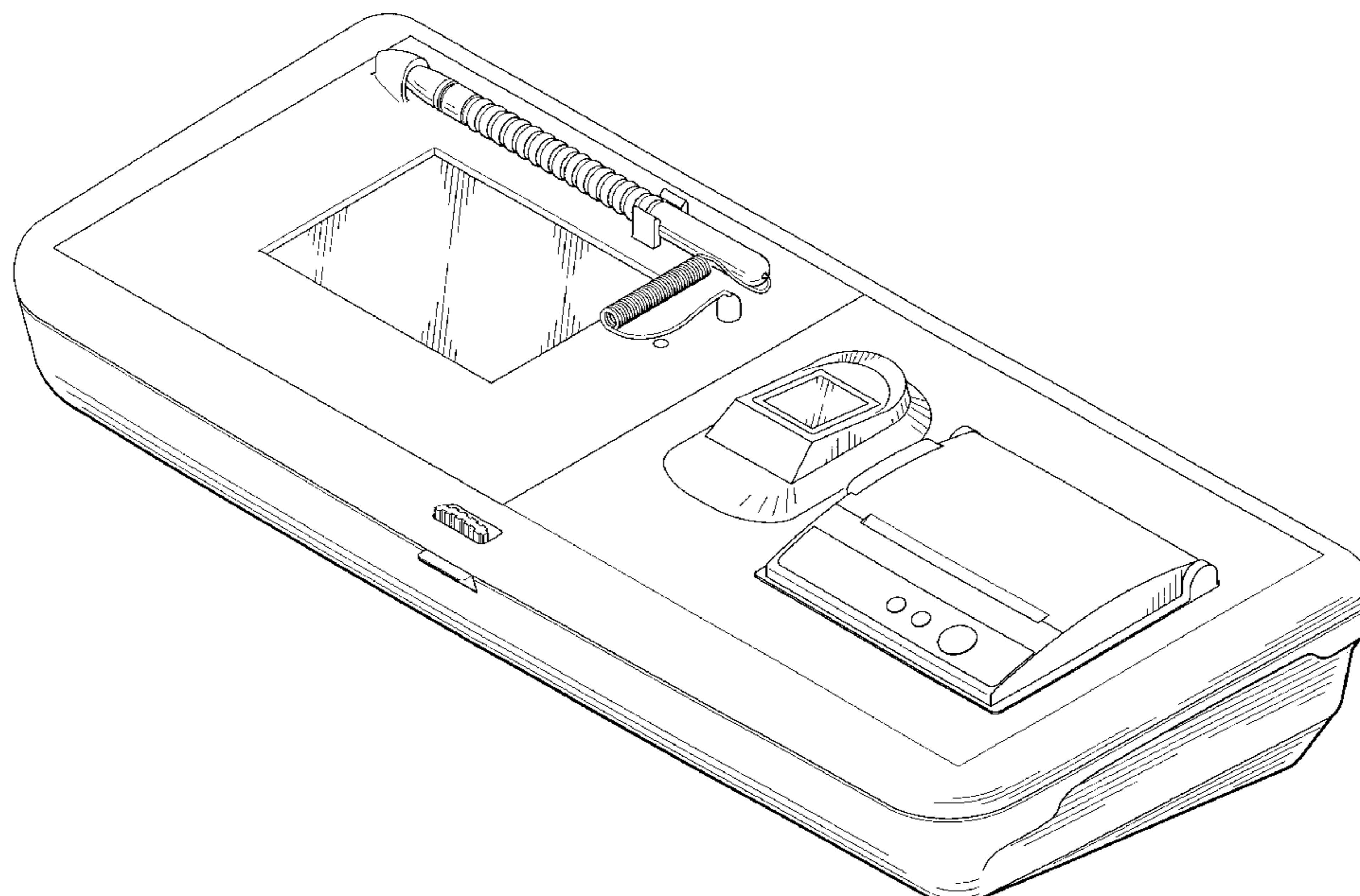
FIG. 5 is a left side view thereof;

FIG. 6 is a rear view thereof; and,

FIG. 7 is a bottom view thereof.

The broken lines depict environmental subject matter only and form no part of the claimed design.

1 Claim, 6 Drawing Sheets



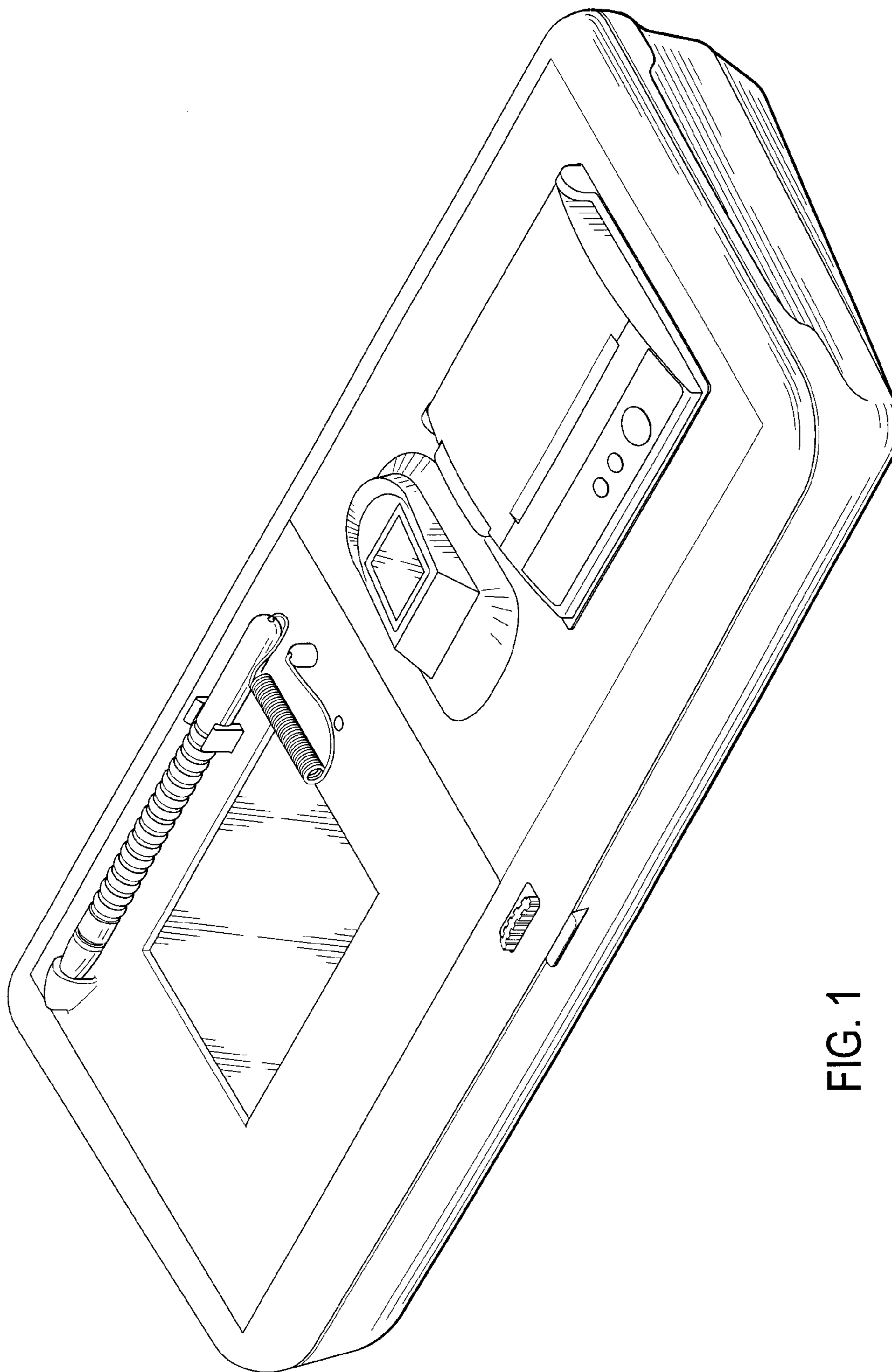


FIG. 1

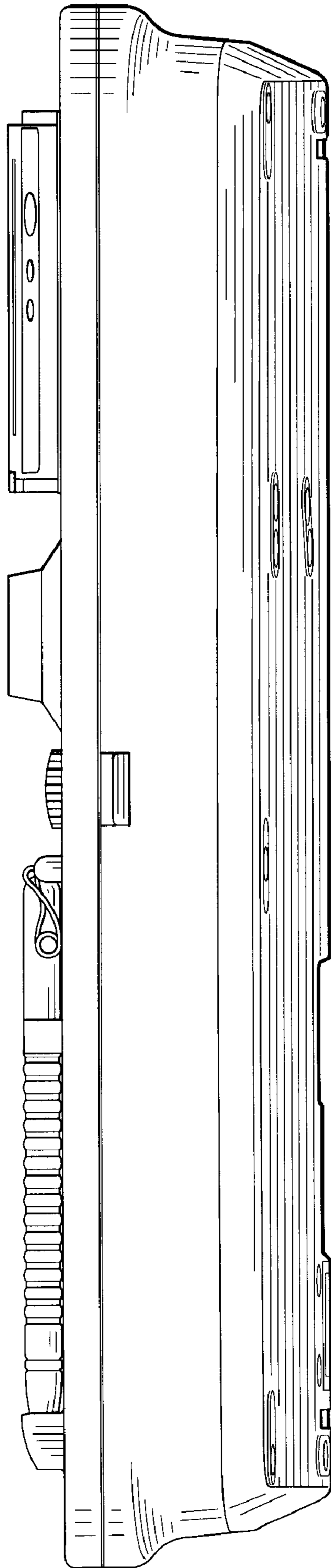


FIG. 2

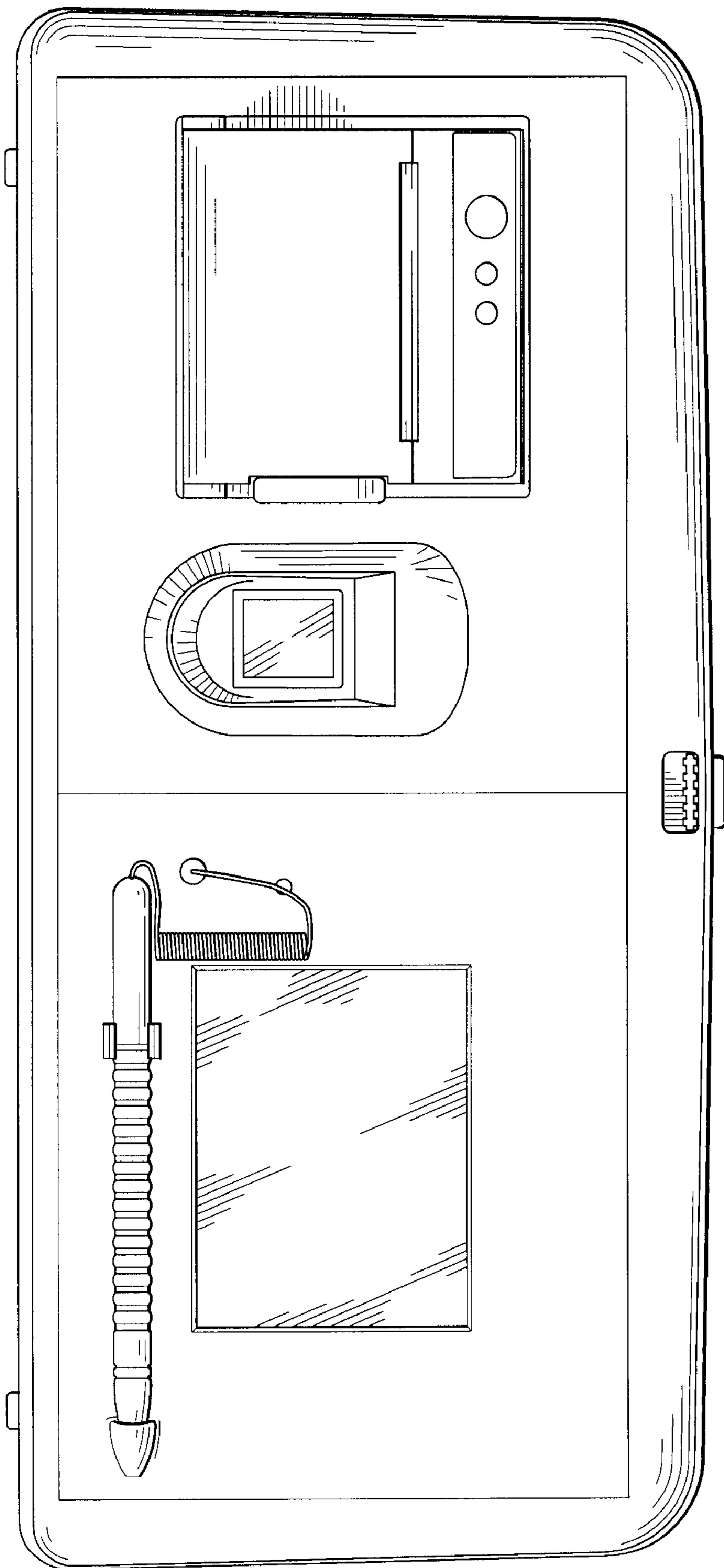


FIG. 3

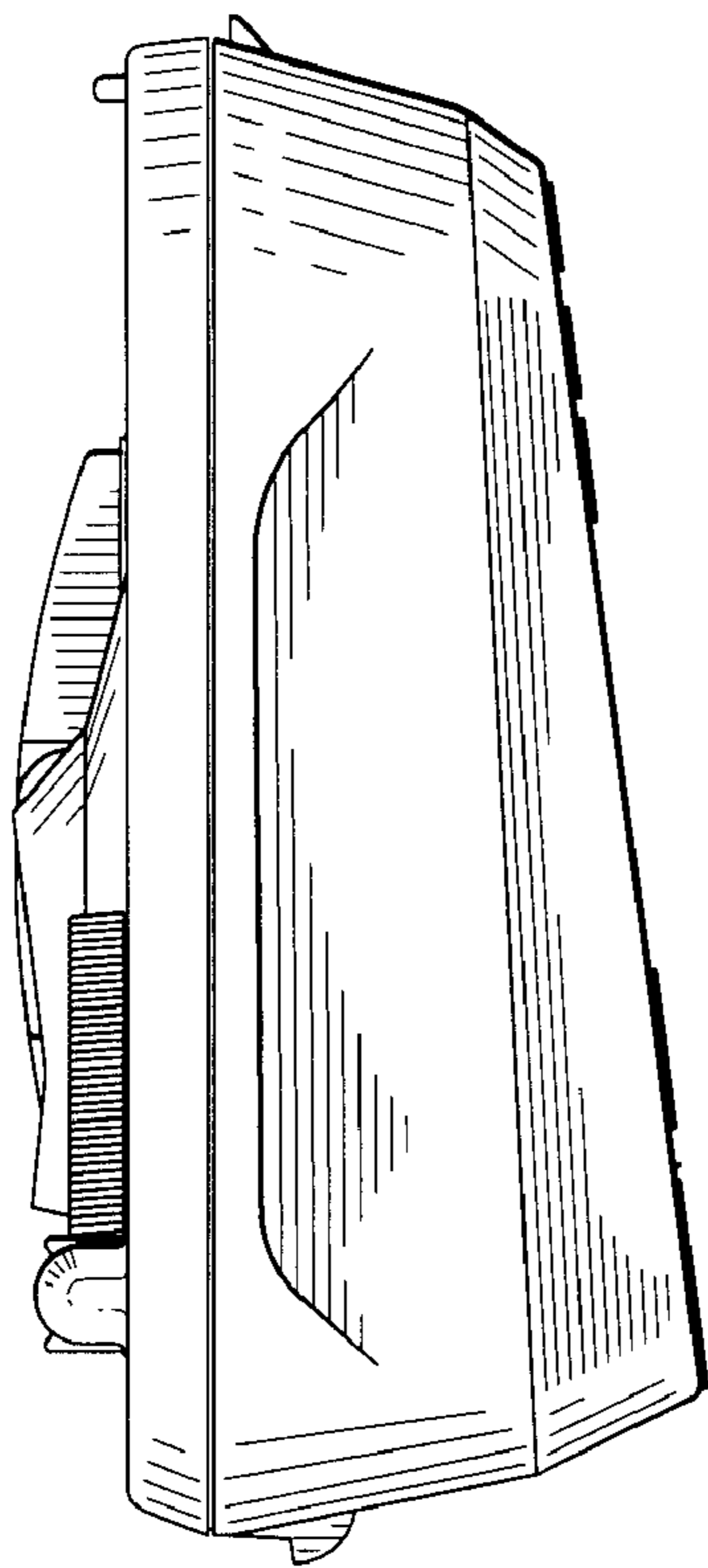


FIG. 5

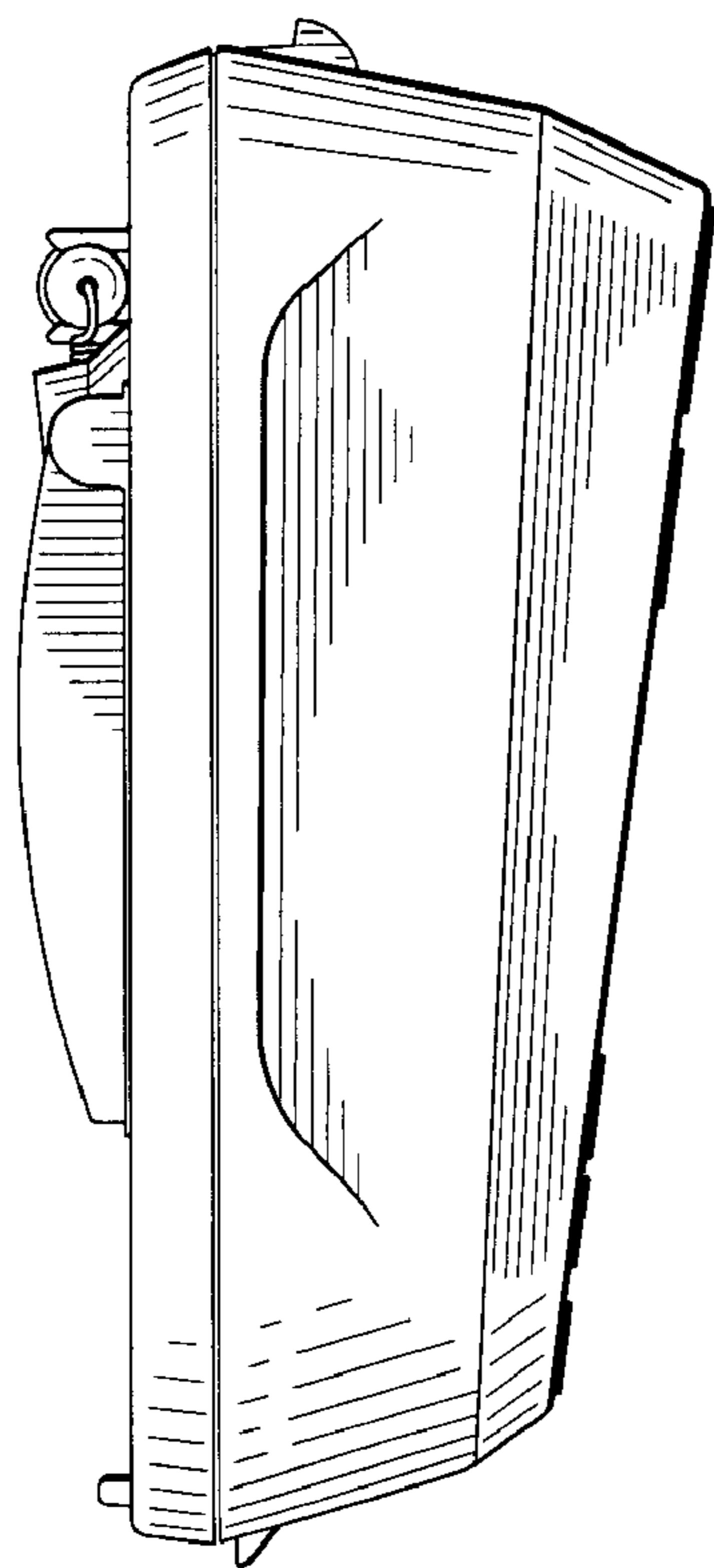


FIG. 4

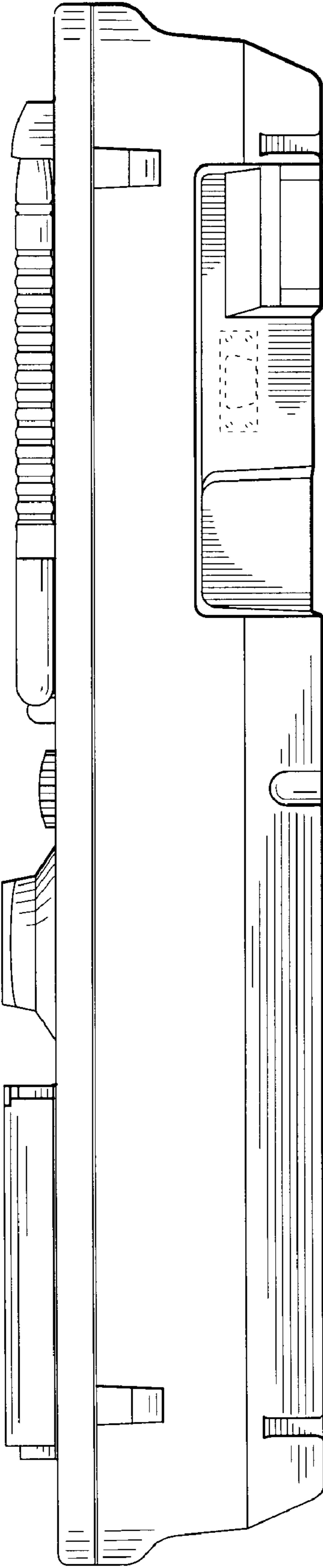


FIG. 6

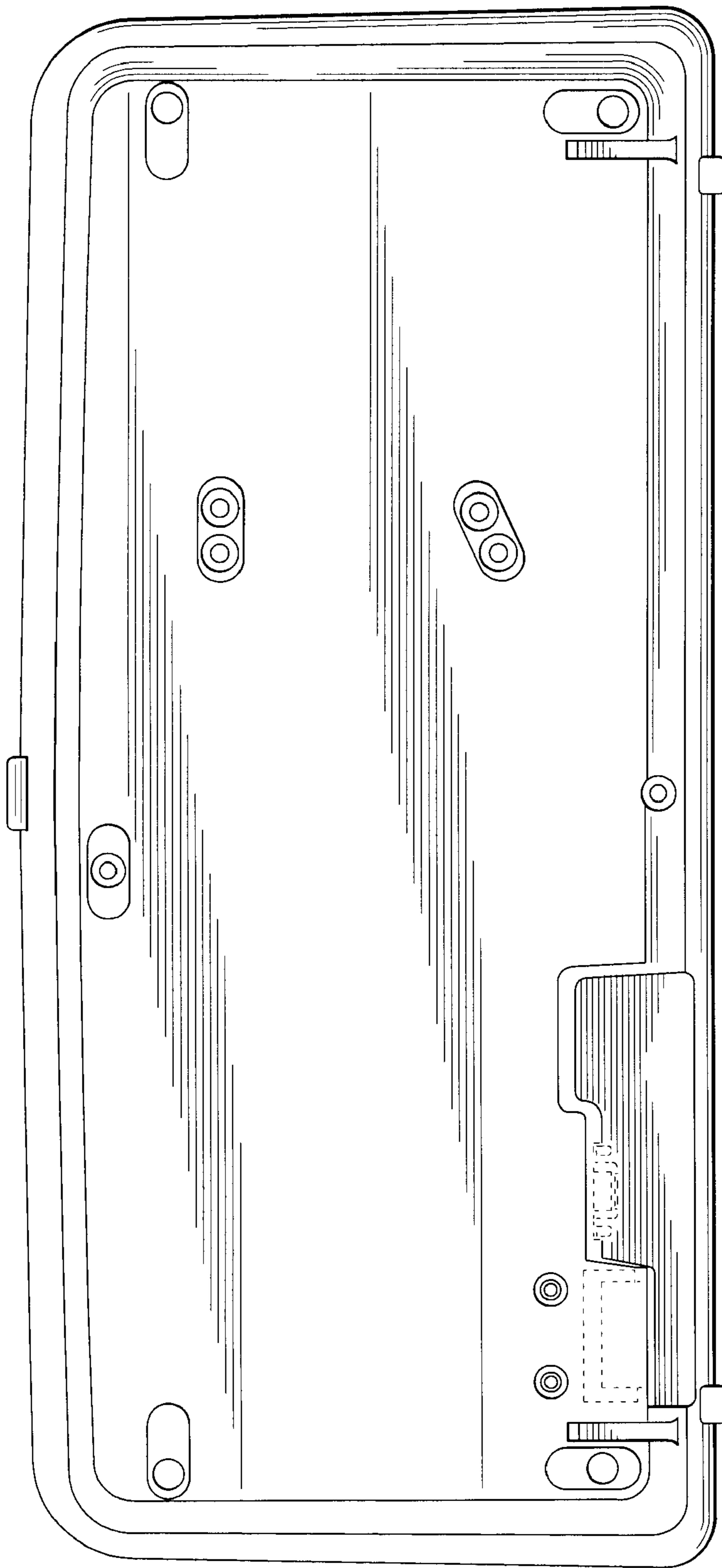


FIG. 7