



US00D616438S

(12) **United States Design Patent**
Mugica et al.

(10) **Patent No.:** **US D616,438 S**
(45) **Date of Patent:** **** May 25, 2010**

(54) **SMART INTEGRATED BIOGRAPHIC AND BIOMETRIC DATA CAPTURE PORTABLE DEVICE**

6,575,904 B2 * 6/2003 Nagai et al. 600/301
D480,725 S * 10/2003 Funato D14/383
D535,974 S * 1/2007 Alwicker et al. D14/188
D538,806 S * 3/2007 Brod et al. D14/385

(75) Inventors: **Antonio Mugica**, Caracas (VE); **Roger Pinate**, Caracas (VE); **Paul Babic**, Caracas (VE); **Jorge M. Vasquez**, Weston, FL (US); **Romano Stasi**, Weston, FL (US); **Paul Chen**, Taipei (TW); **Ernesto Vecchi**, Tomball, TX (US); **German Dorta**, Caracas (VE); **Dimas Ulacio**, Caracas (VE); **Dany Farina**, Caracas (VE); **Luis Coronel**, Caracas (VE); **Fabiola Arrivillaga**, Caracas (VE)

* cited by examiner

Primary Examiner—Freda S Nunn

(74) *Attorney, Agent, or Firm*—Oliff & Berridge, PLC

(73) Assignee: **Smartmatic International Corporation**, St. Michael (BB)

(57) **CLAIM**

The ornamental design for a smart integrated biographic and biometric data capture portable device, as shown and described.

(**) Term: **14 Years**

DESCRIPTION

(21) Appl. No.: **29/338,829**

(22) Filed: **Jun. 19, 2009**

(51) **LOC (9) Cl.** **14-02**

(52) **U.S. Cl.** **D14/383; D14/384**

(58) **Field of Classification Search** D14/314,
D14/317, 420, 421, 424, 383–387; D18/4.1–4.4;
D24/185, 186; 235/51, 54 F, 375, 380, 382,
235/382.5, 462.45, 470; 345/179; 361/679.41;
600/301; 355/64, 65, 75, 81; 382/124–126
See application file for complete search history.

FIG. 1 is a perspective view of a smart integrated biographic and biometric data capture portable device;

FIG. 2 is a front view thereof;

FIG. 3 is a top view thereof;

FIG. 4 is a right side view thereof, the left side view being a mirror image of the right side view;

FIG. 5 is a rear view thereof; and,

FIG. 6 is a bottom view thereof.

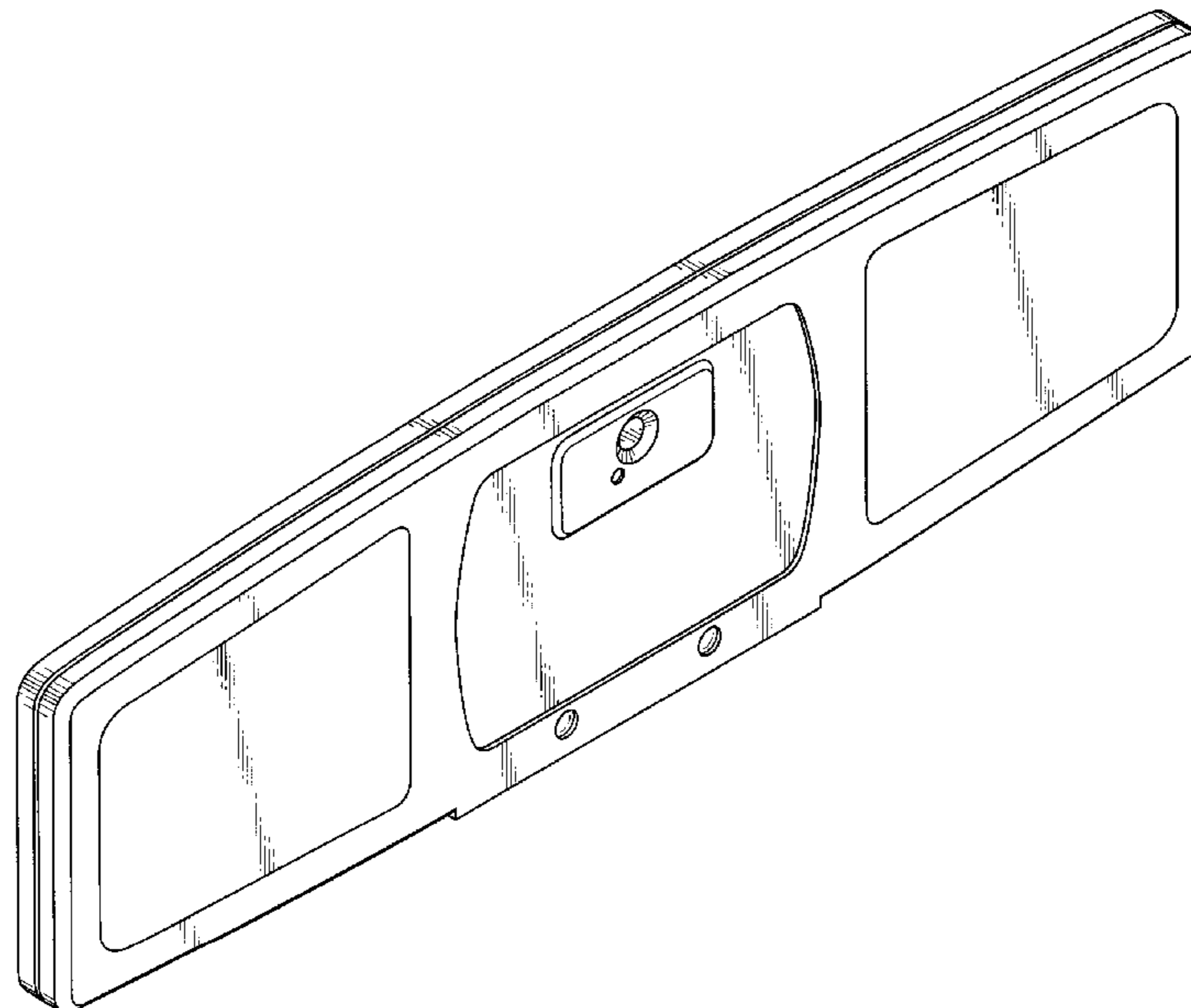
The broken lines depict environmental subject matter only and form no part of the claimed design.

(56) **References Cited**

U.S. PATENT DOCUMENTS

6,497,368 B1 * 12/2002 Friend et al. 235/472.01

1 Claim, 4 Drawing Sheets



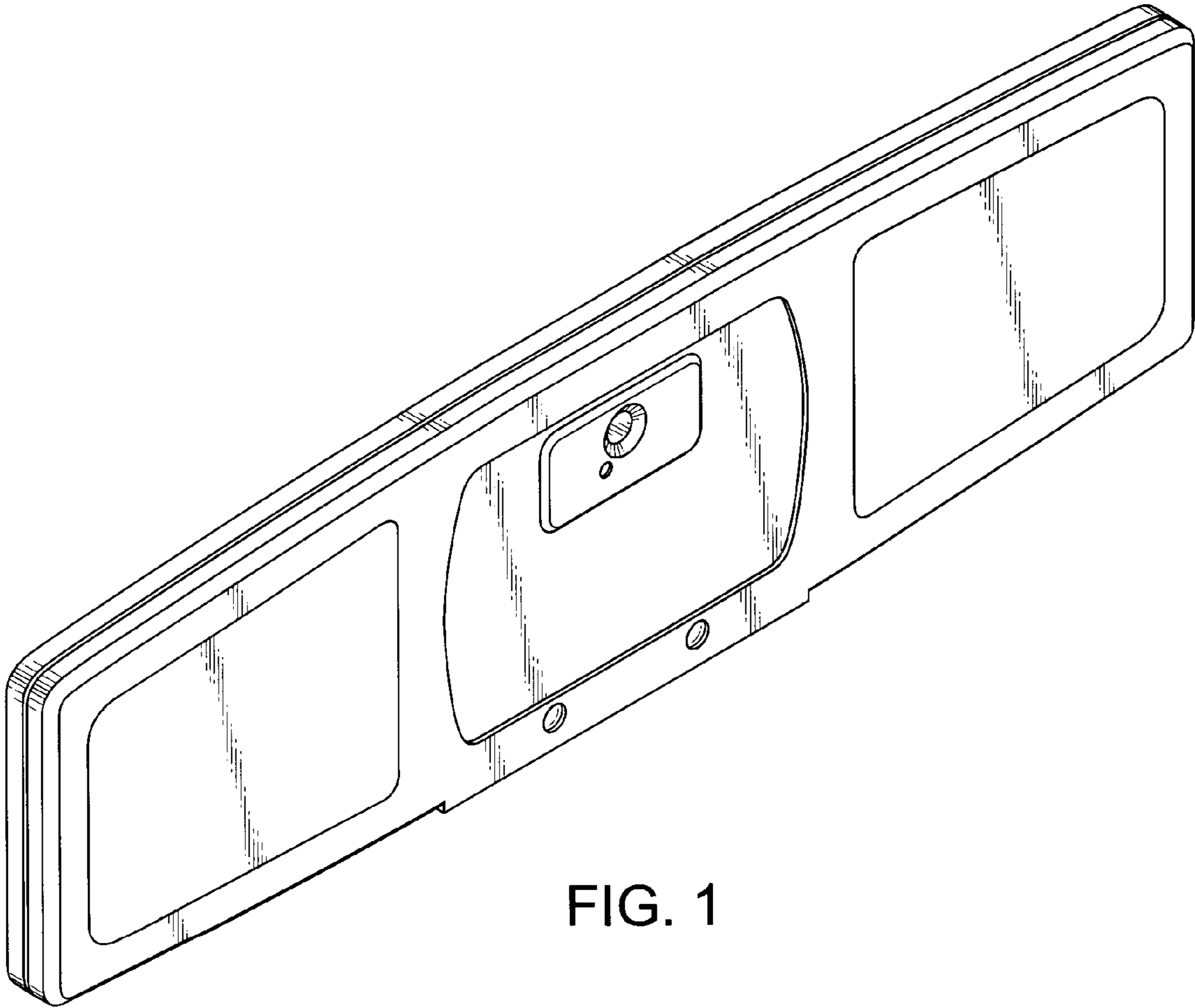


FIG. 1

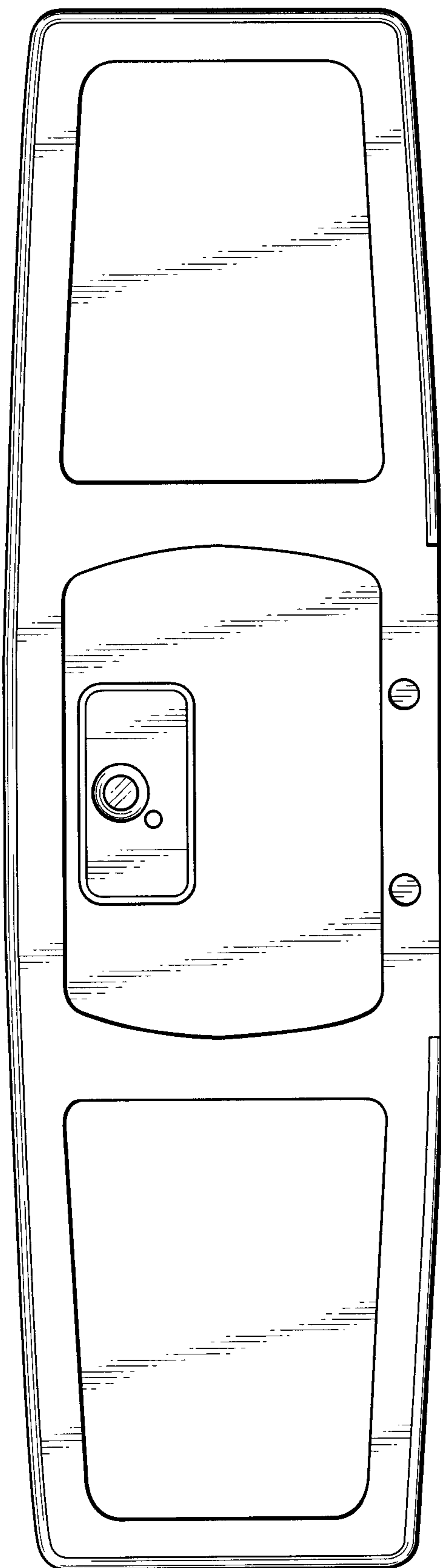


FIG. 2

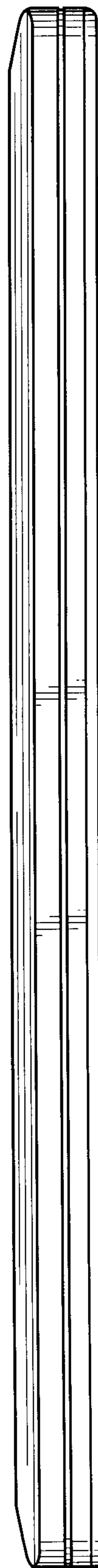


FIG. 3

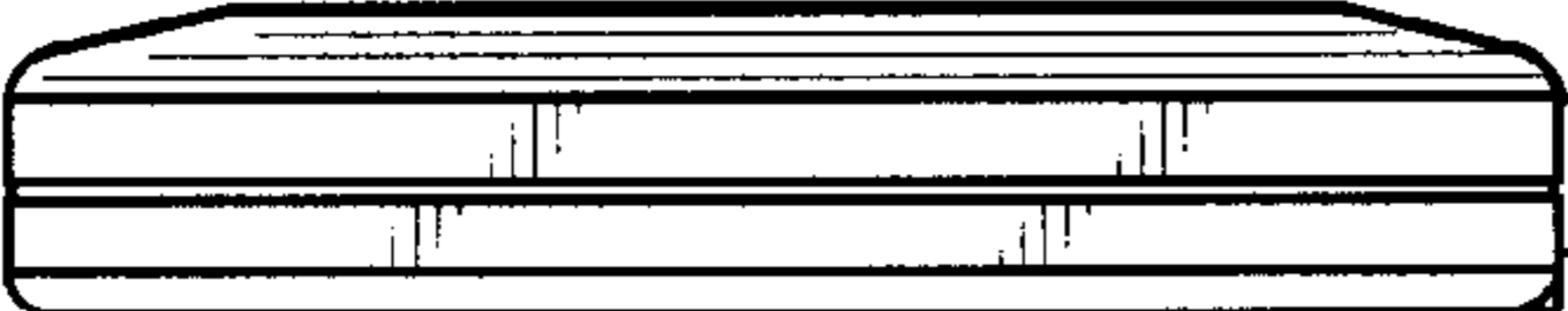


FIG. 4

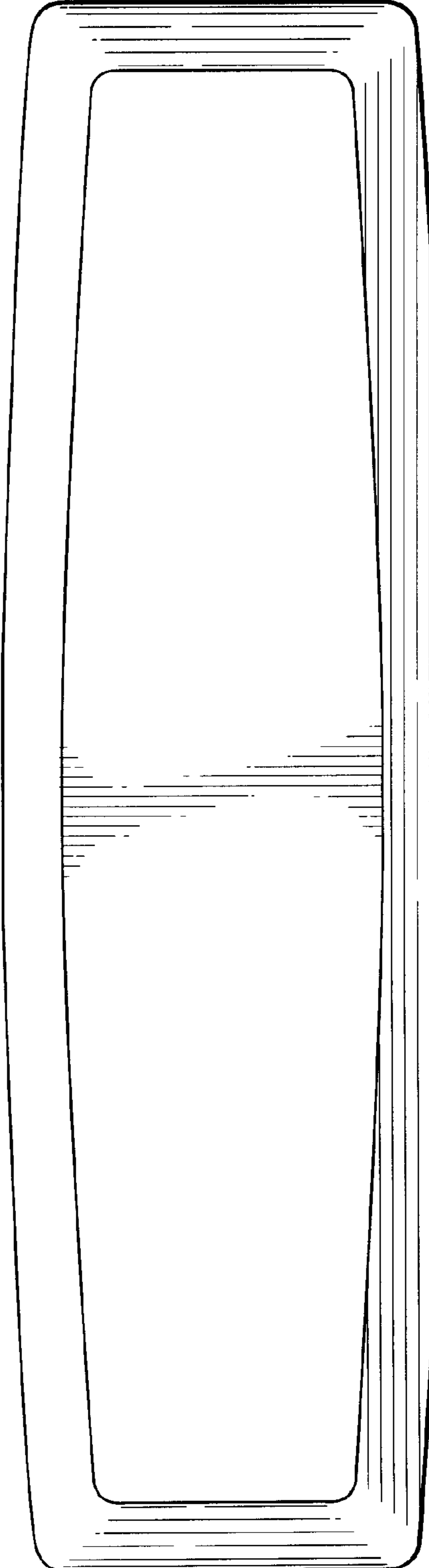


FIG. 5

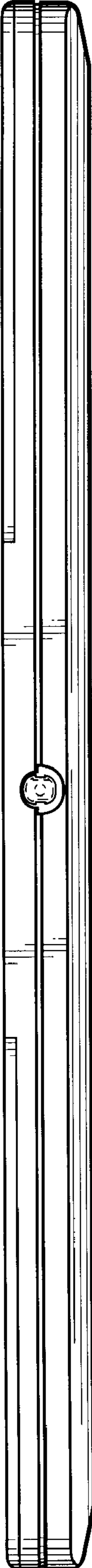


FIG. 6