



US00D616436S

(12) **United States Design Patent**  
**Busri**

(10) **Patent No.:** **US D616,436 S**  
(45) **Date of Patent:** **\*\* May 25, 2010**

(54) **MOBILE PERSONAL COMPUTER**

(75) Inventor: **Saharudin Bin Busri**, Selangor (MY)

(73) Assignee: **Mimos Berhad**, Kuala Lumpur (MY)

(\*\*) Term: **14 Years**

(21) Appl. No.: **29/318,355**

(22) Filed: **May 19, 2008**

(30) **Foreign Application Priority Data**

Nov. 20, 2007 (MY) ..... 07017010103  
Nov. 20, 2007 (MY) ..... 07017020203  
Nov. 20, 2007 (MY) ..... 07017030303

(51) **LOC (9) Cl.** ..... **14-02**

(52) **U.S. Cl.** ..... **D14/341**

(58) **Field of Classification Search** ..... D14/341-347,  
D14/420, 426, 427, 432, 439-441, 448, 496,  
D14/125, 129-130, 137, 138, 147, 156, 218,  
D14/247-248, 250, 389; D10/65, 104; D18/6-7;  
D21/329, 686; D6/596, 601, 605; 455/90.3,  
455/6.1, 556.2, 575.1, 575.3, 575.4; 379/433.01,  
379/433.04, 433.06, 433.07; 361/814; 341/22;  
345/169; 346/173

See application file for complete search history.

(56) **References Cited**

**U.S. PATENT DOCUMENTS**

D363,271 S \* 10/1995 Peterson ..... D14/341  
D418,117 S \* 12/1999 Wade et al. .... D14/342

D505,676 S \* 5/2005 Porter et al. .... D14/388  
D517,512 S \* 3/2006 Peng ..... D14/129  
D518,007 S \* 3/2006 Peng ..... D14/129  
D540,760 S \* 4/2007 Macey et al. .... D14/126  
D540,761 S \* 4/2007 Macey et al. .... D14/126  
D555,649 S \* 11/2007 Tom et al. .... D14/346  
D558,791 S \* 1/2008 Toh et al. .... D14/496  
D564,374 S \* 3/2008 Wada ..... D10/65  
D564,375 S \* 3/2008 Uno ..... D10/65  
D571,560 S \* 6/2008 Liu et al. .... D6/300  
D574,271 S \* 8/2008 Stevens et al. .... D10/65  
D574,795 S \* 8/2008 Wlotzka ..... D14/129

\* cited by examiner

*Primary Examiner*—Cathron C Brooks

*Assistant Examiner*—Barbara Fox

(74) *Attorney, Agent, or Firm*—Butzel Long

(57) **CLAIM**

The ornamental design for a mobile personal computer, as shown and described.

**DESCRIPTION**

FIG. 1 is a perspective view of the present invention;

FIG. 2 is a front view thereof;

FIG. 3 is a back view thereof;

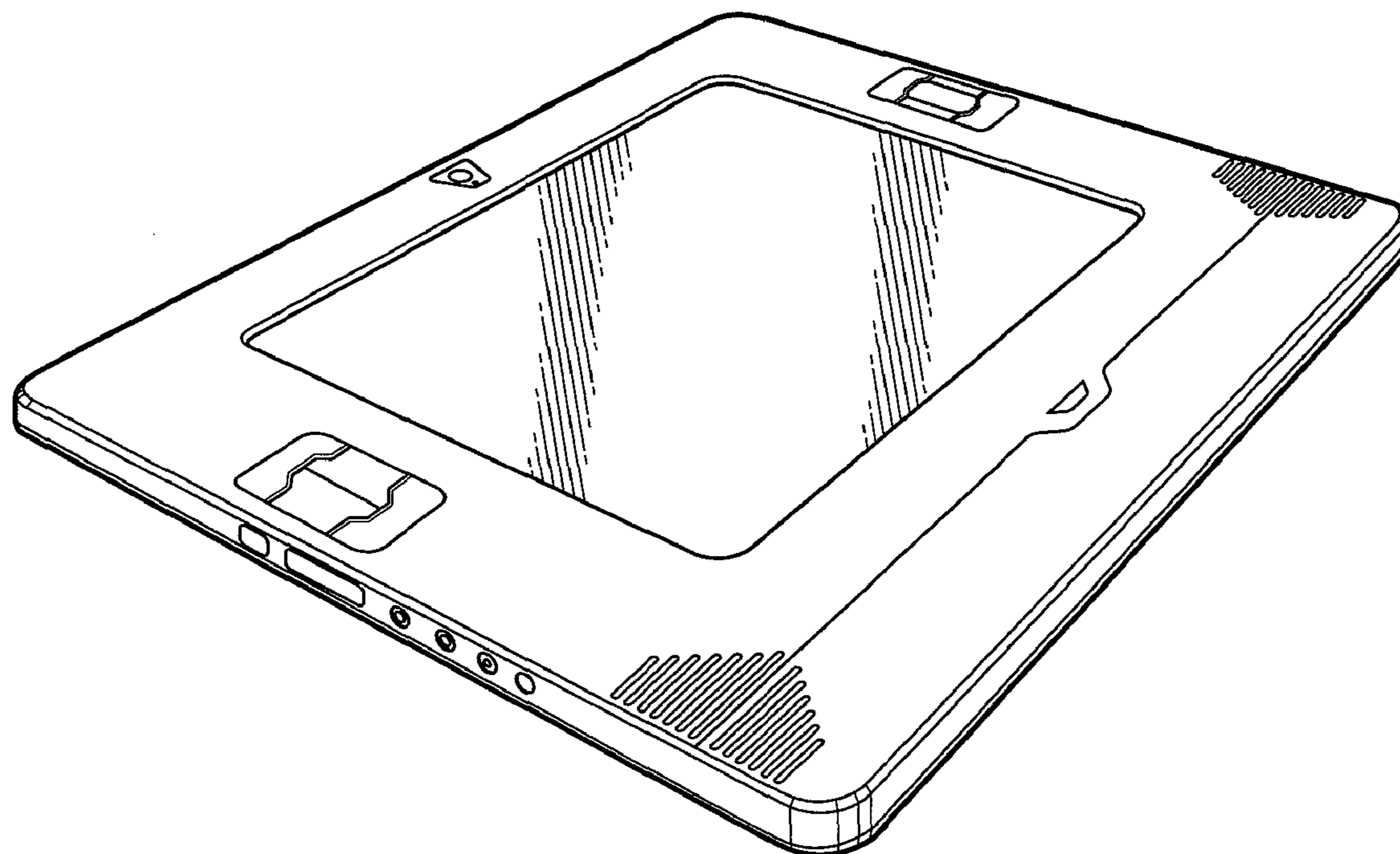
FIG. 4 is a left side view thereof;

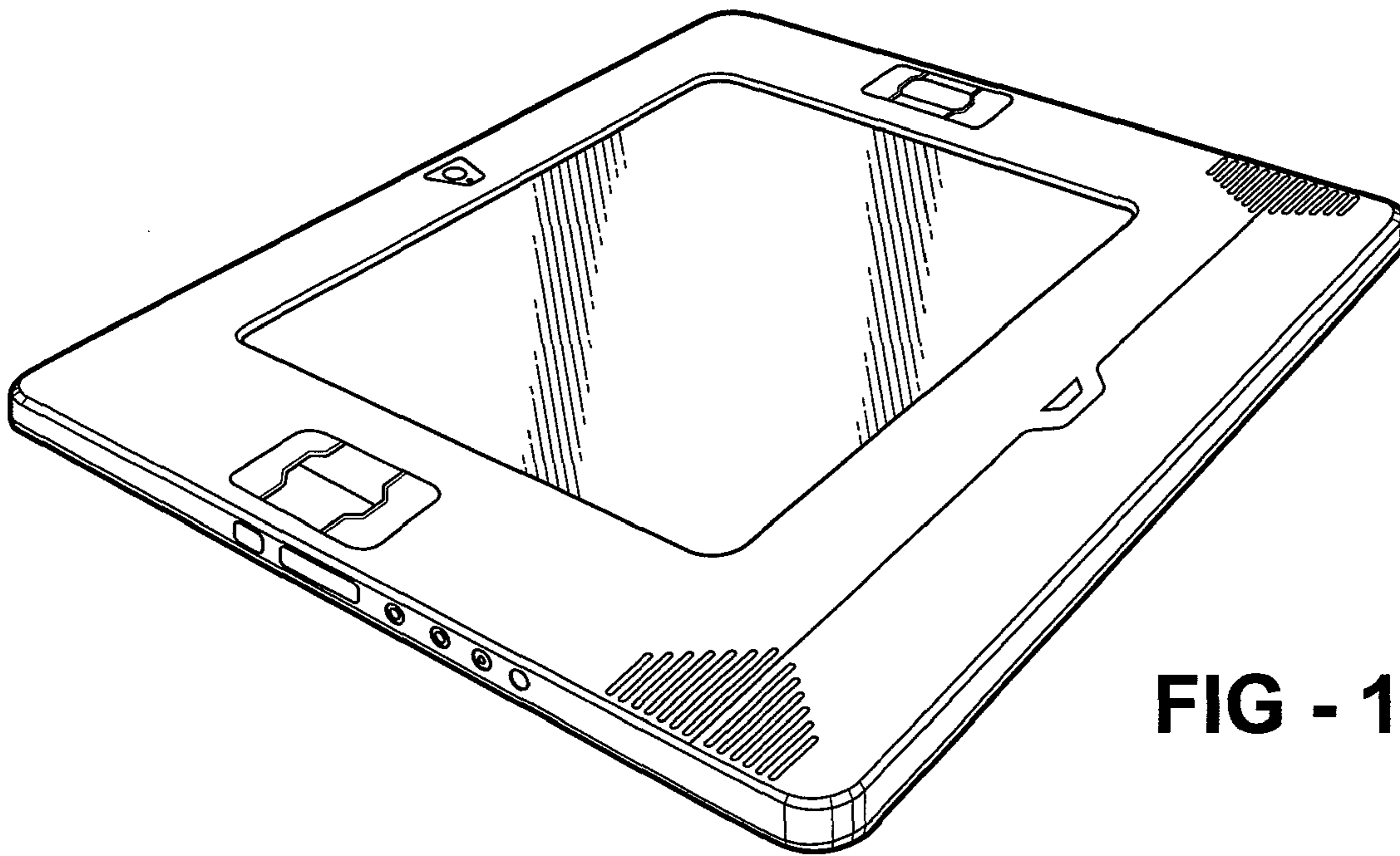
FIG. 5 is a right side view thereof;

FIG. 6 is a top view thereof; and,

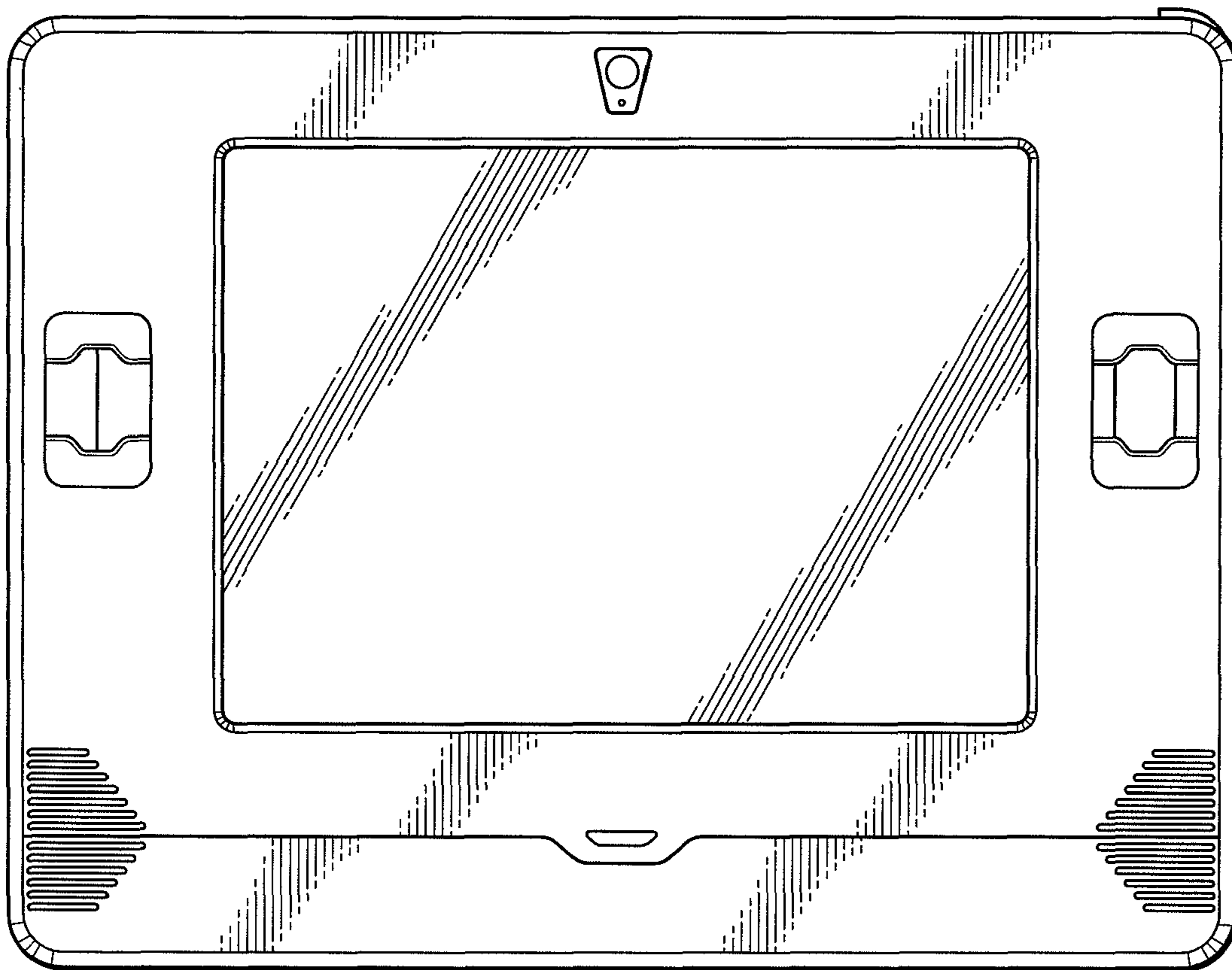
FIG. 7 is a bottom view thereof.

**1 Claim, 3 Drawing Sheets**

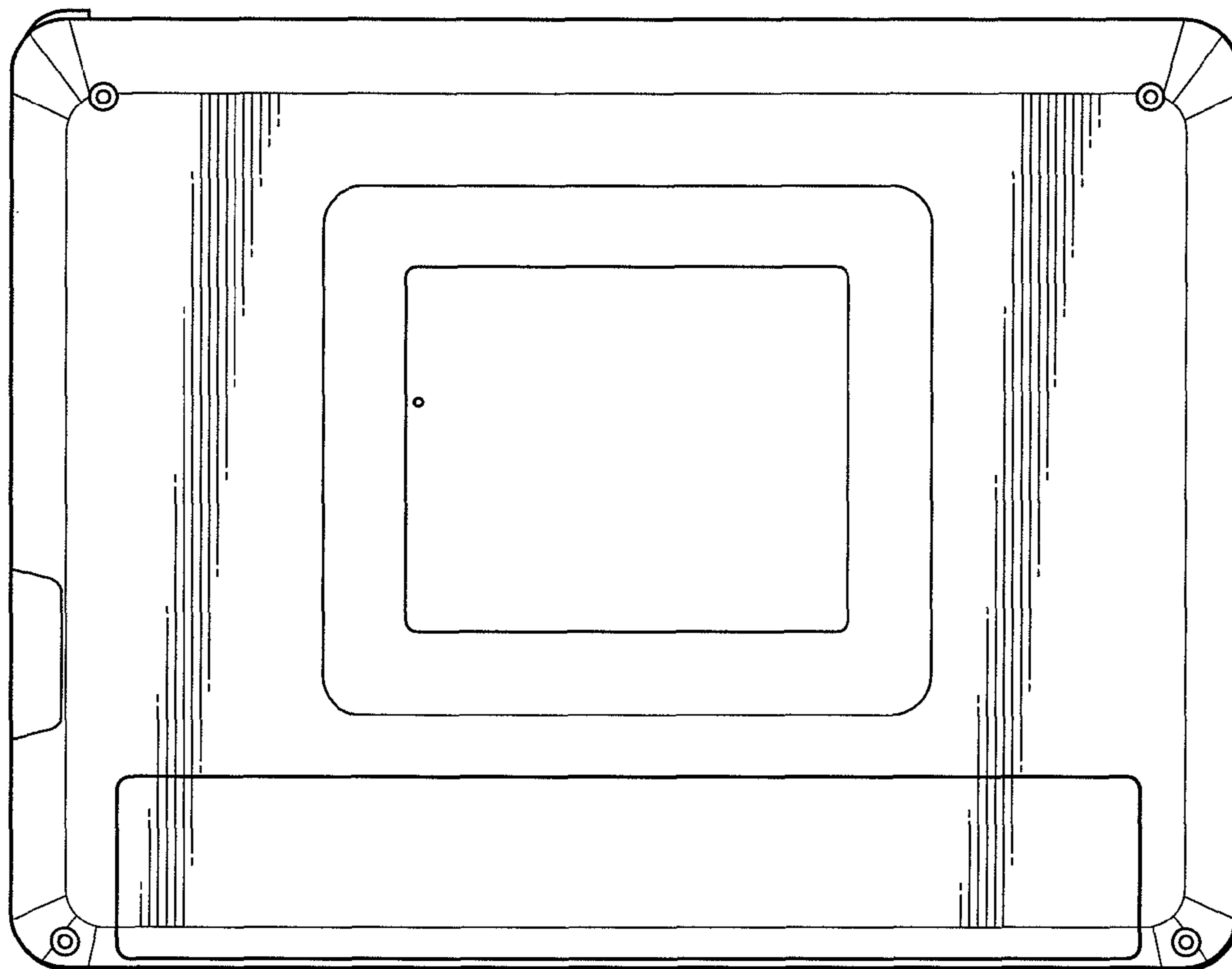




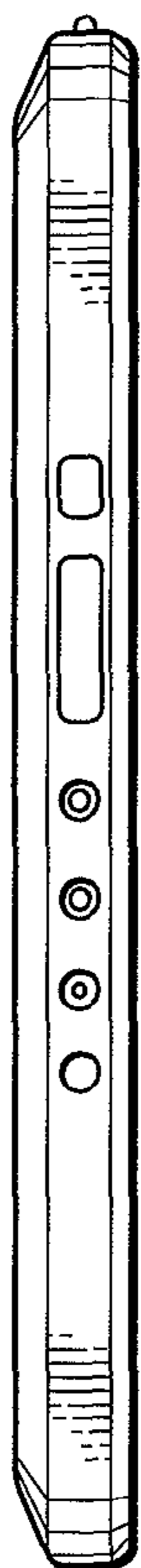
**FIG - 1**



**FIG - 2**



**FIG - 3**



**FIG - 4**



**FIG - 5**



**FIG - 6**



**FIG - 7**