



US00D616434S

(12) **United States Design Patent**
Fujita et al.

(10) **Patent No.:** **US D616,434 S**
(45) **Date of Patent:** **** May 25, 2010**

(54) **PERSONAL COMPUTER**

- (75) Inventors: **Hiroyuki Fujita**, Tokyo (JP); **Sho Sakai**, Kawasaki (JP)
- (73) Assignee: **Fujitsu Limited**, Kawasaki (JP)
- (**) Term: **14 Years**
- (21) Appl. No.: **29/311,884**
- (22) Filed: **Jul. 22, 2009**

(30) **Foreign Application Priority Data**

Apr. 2, 2009 (JP) 2009-007683

- (51) **LOC (9) Cl.** **14-02**
- (52) **U.S. Cl.** **D14/315**
- (58) **Field of Classification Search** D14/315–327, D14/341–345, 331, 130; D18/1, 2, 7, 11; 178/17 A, 17 C; 345/102, 104, 156, 163, 345/168; 341/22, 23; 361/679.08, 679.09, 361/679.26, 679.27; 400/486, 489
See application file for complete search history.

(56) **References Cited**

U.S. PATENT DOCUMENTS

6,067,224	A *	5/2000	Nobuchi	361/679.27
D467,915	S *	12/2002	Wada	D14/322
D476,326	S *	6/2003	Tanimura	D14/318
D547,309	S *	7/2007	Yoon	D14/315
D578,524	S *	10/2008	Yoon	D14/319
D578,525	S *	10/2008	Yoon	D14/319
D586,796	S *	2/2009	Lee et al.	D14/315
2005/0018396	A1 *	1/2005	Nakajima et al.	361/683
2005/0041378	A1 *	2/2005	Hamada et al.	361/680

OTHER PUBLICATIONS

- NEC LaVie Light (BL310/TD, 300/TA, BL100/TA, BR330/TA), printed from 121ware.com on Sep. 15, 2009.
- Toshiba NB100, printed from dynabook.com/pc/catalog/nb080929nb1/nb_001.htm on Sep. 15, 2009.
- Hewlett-Packard HP 2133 Mini-Note PC, printed from h50146.www5.hp.com/products/portables/personal/mini_note2133/product01.html on Sep. 15, 2009.
- Lenovo IdeaPad S10, description dated Aug. 2008, printed Sep. 15, 2009.
- Dell Inspiron mini 9, description dated Sep. 2008, printed Sep. 15, 2009.
- Acer Aspire one electronic brochure printed Sep. 15, 2009.

* cited by examiner

Primary Examiner—Freda S Nunn

(57) **CLAIM**

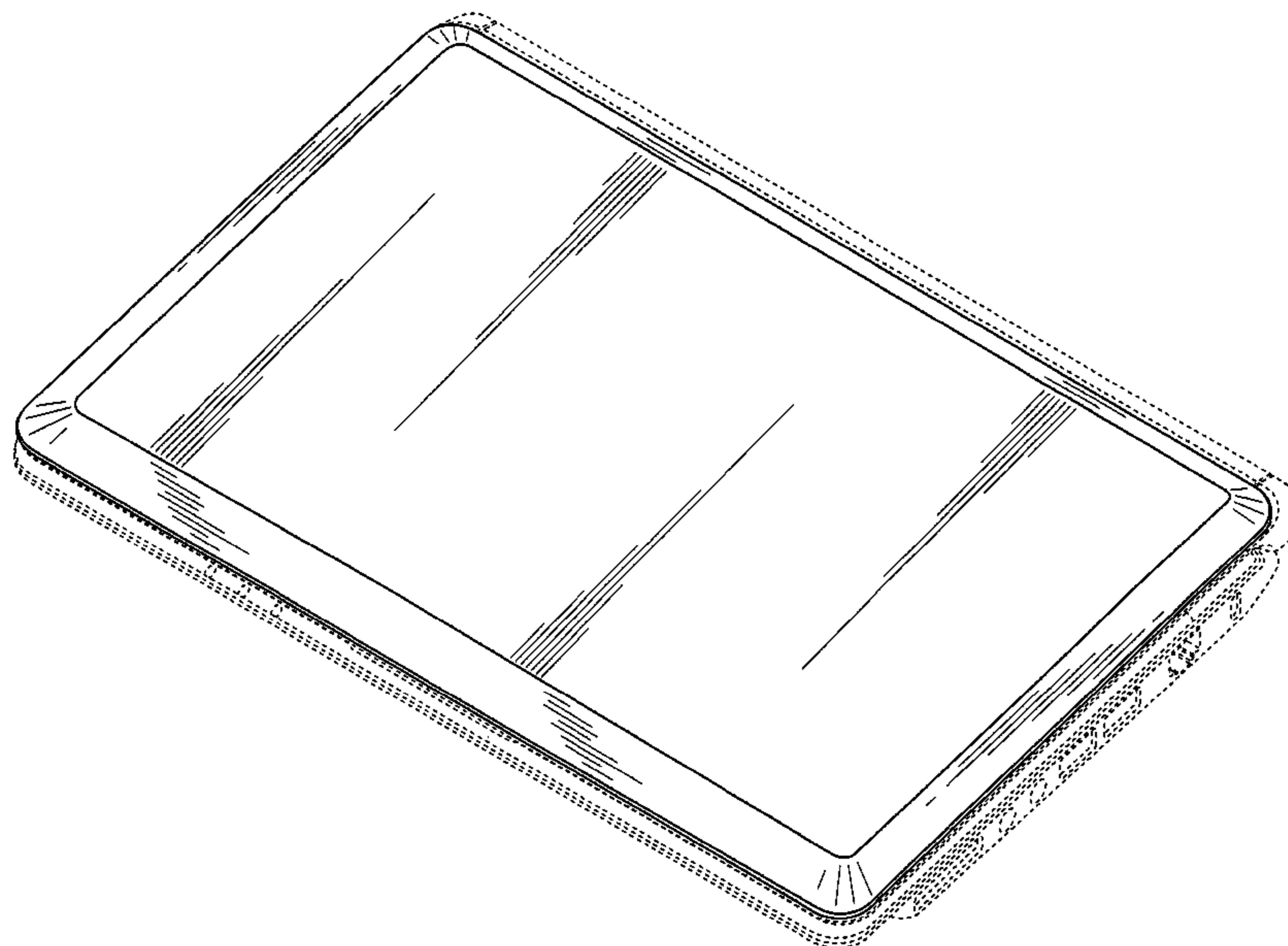
The ornamental design for a personal computer, as shown and described.

DESCRIPTION

- FIG. 1 is a front perspective view of the front, right and top of a personal computer showing our new design;
- FIG. 2 is a rear perspective view thereof;
- FIG. 3 is a front view thereof;
- FIG. 4 is a rear view thereof;
- FIG. 5 is a left side view thereof;
- FIG. 6 is a right side view thereof;
- FIG. 7 is a top plan view thereof; and,
- FIG. 8 is a bottom view thereof.

Broken lines shown in the drawings illustrate portions of the personal computer and form no part of the claimed design.

1 Claim, 6 Drawing Sheets



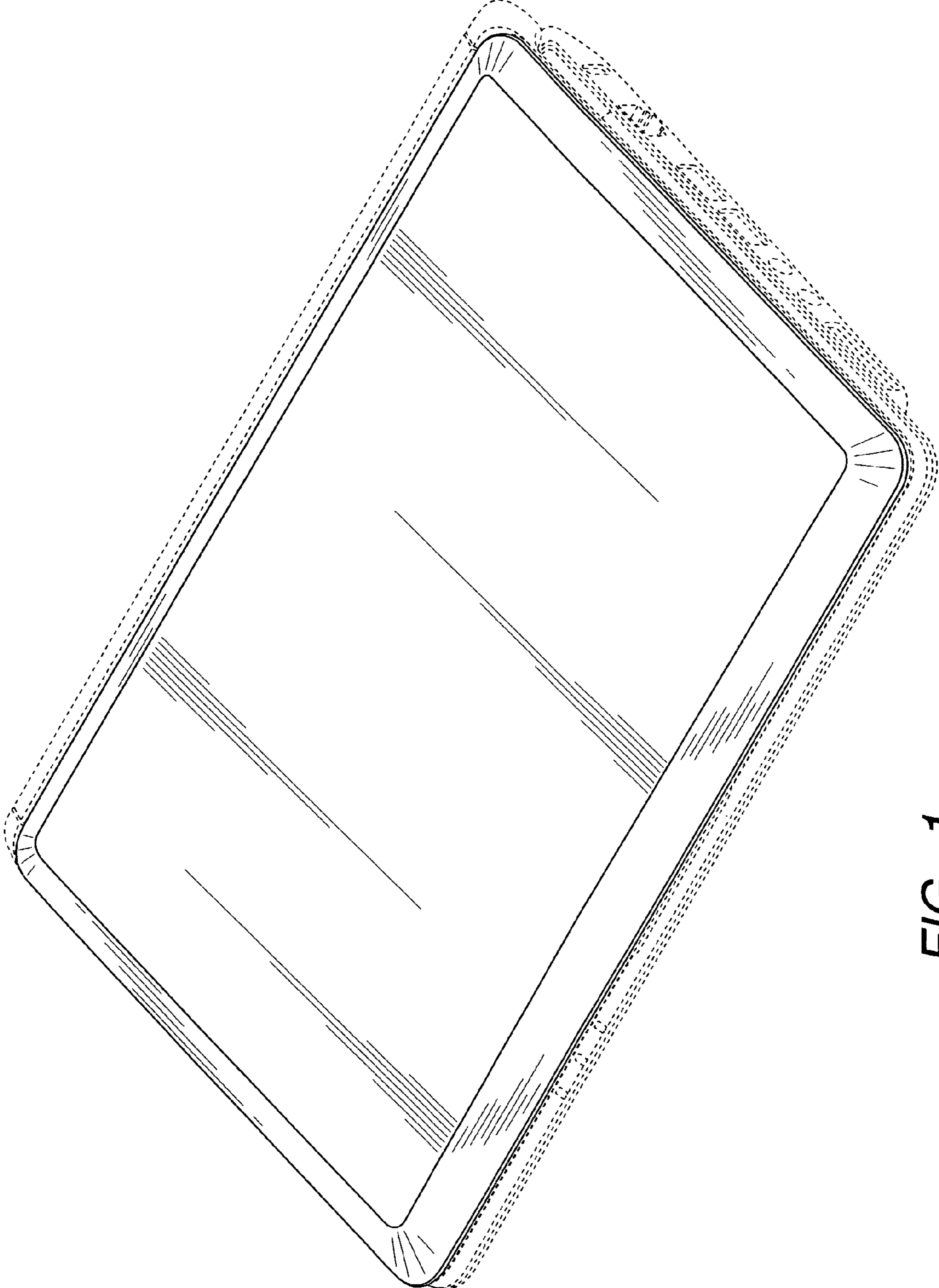


FIG. 1

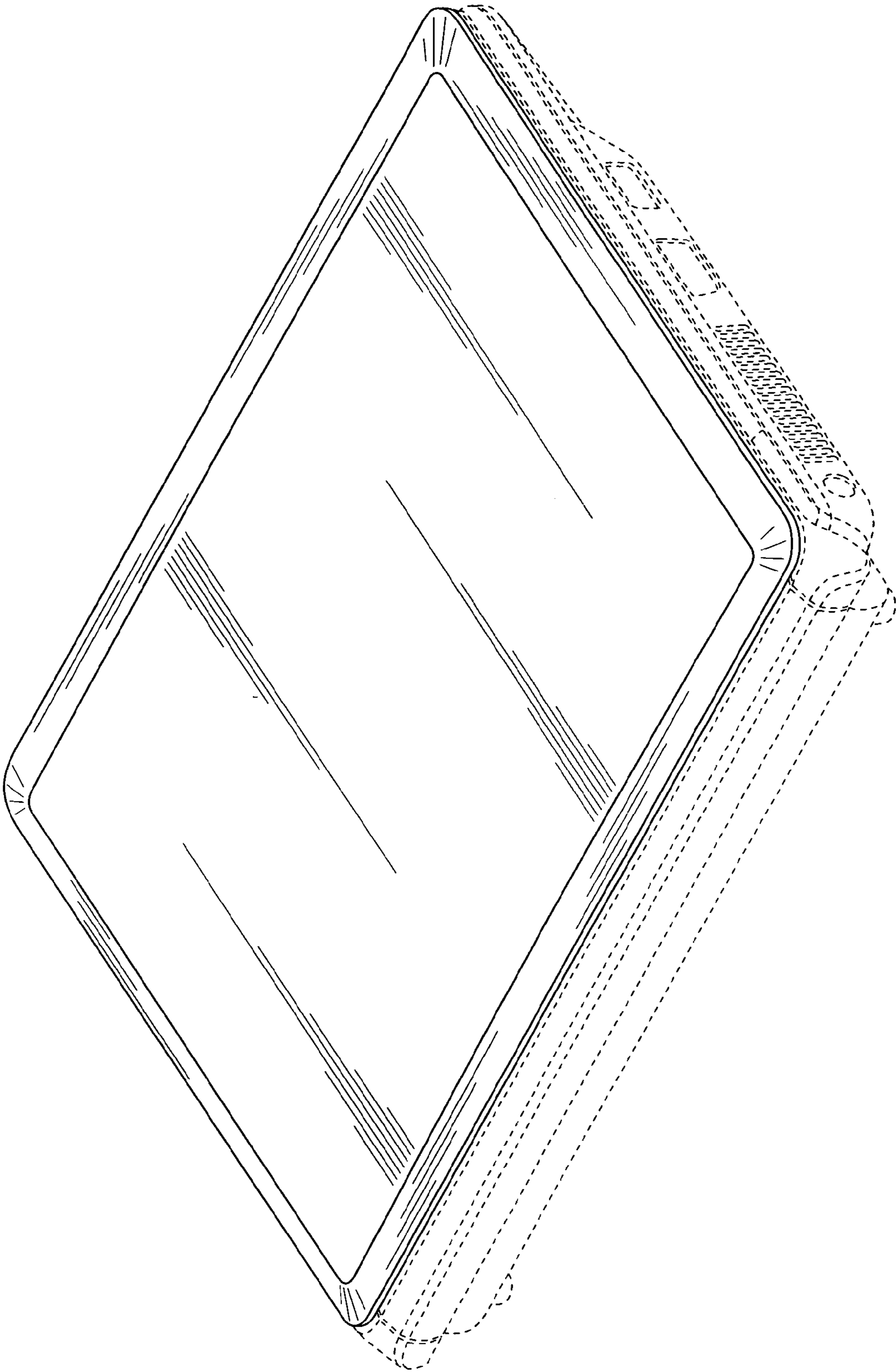


FIG. 2

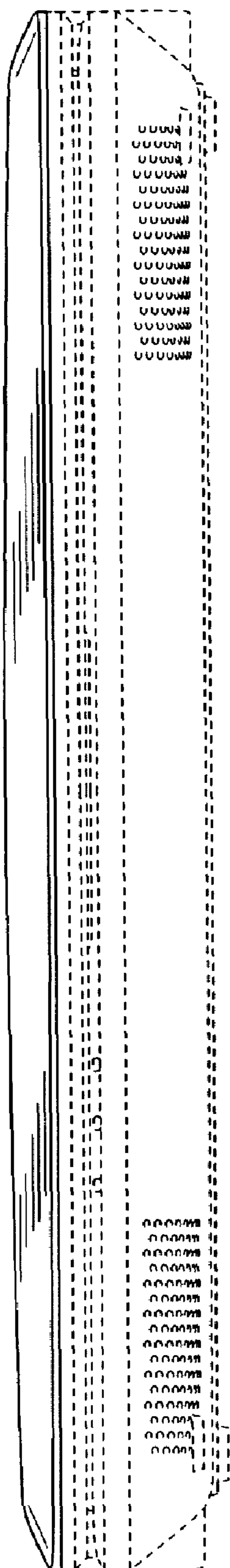


FIG. 3

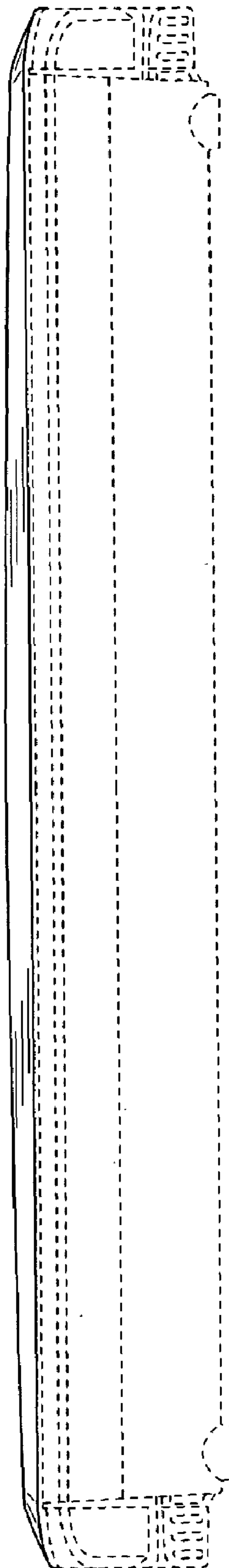


FIG. 4

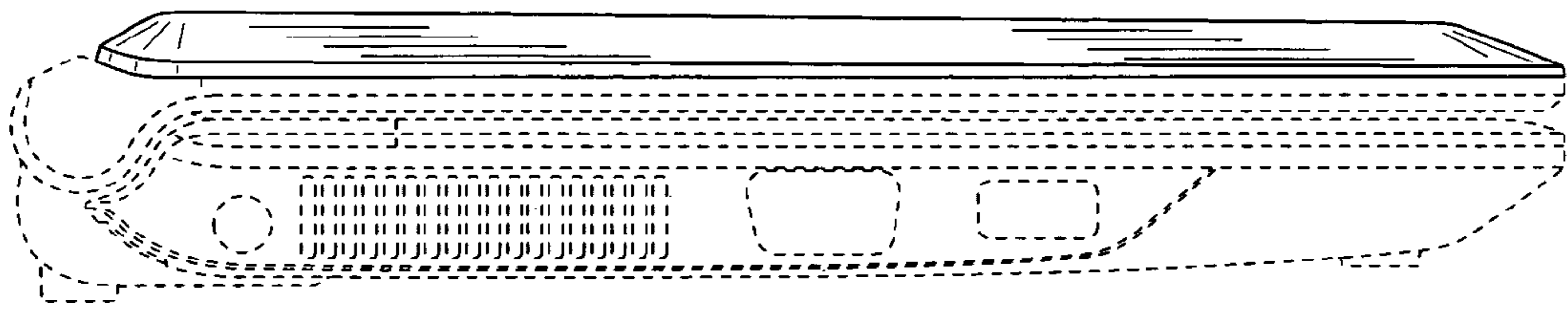


FIG. 5

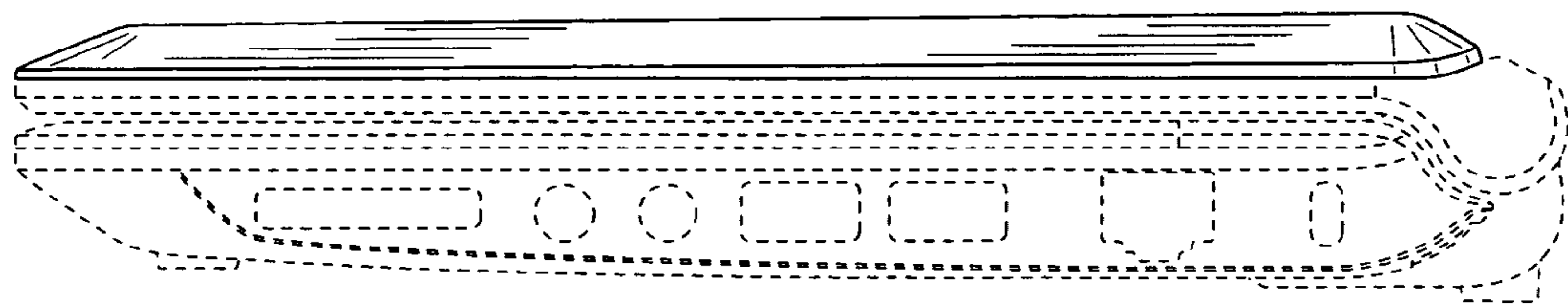


FIG. 6

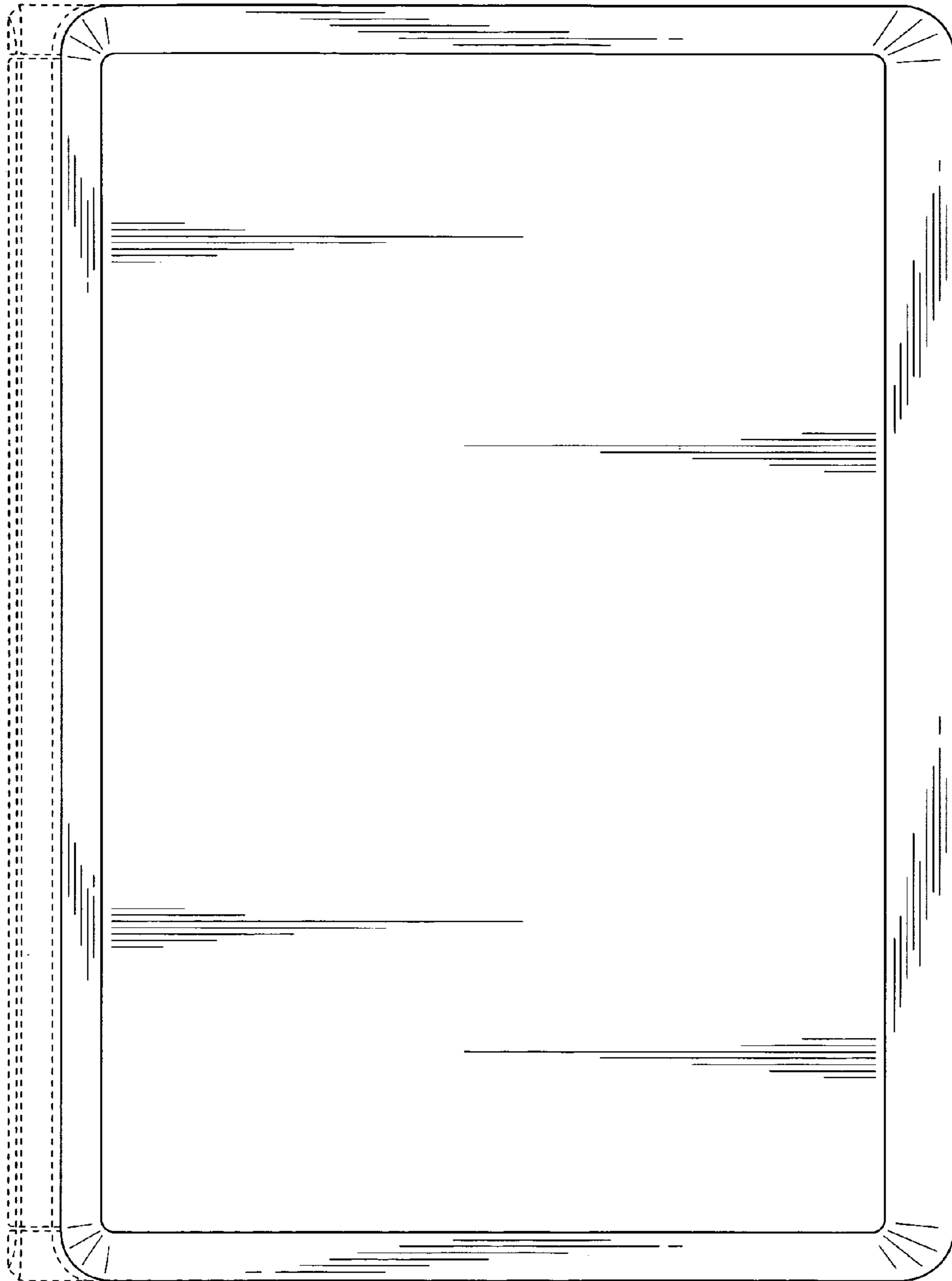


FIG. 7

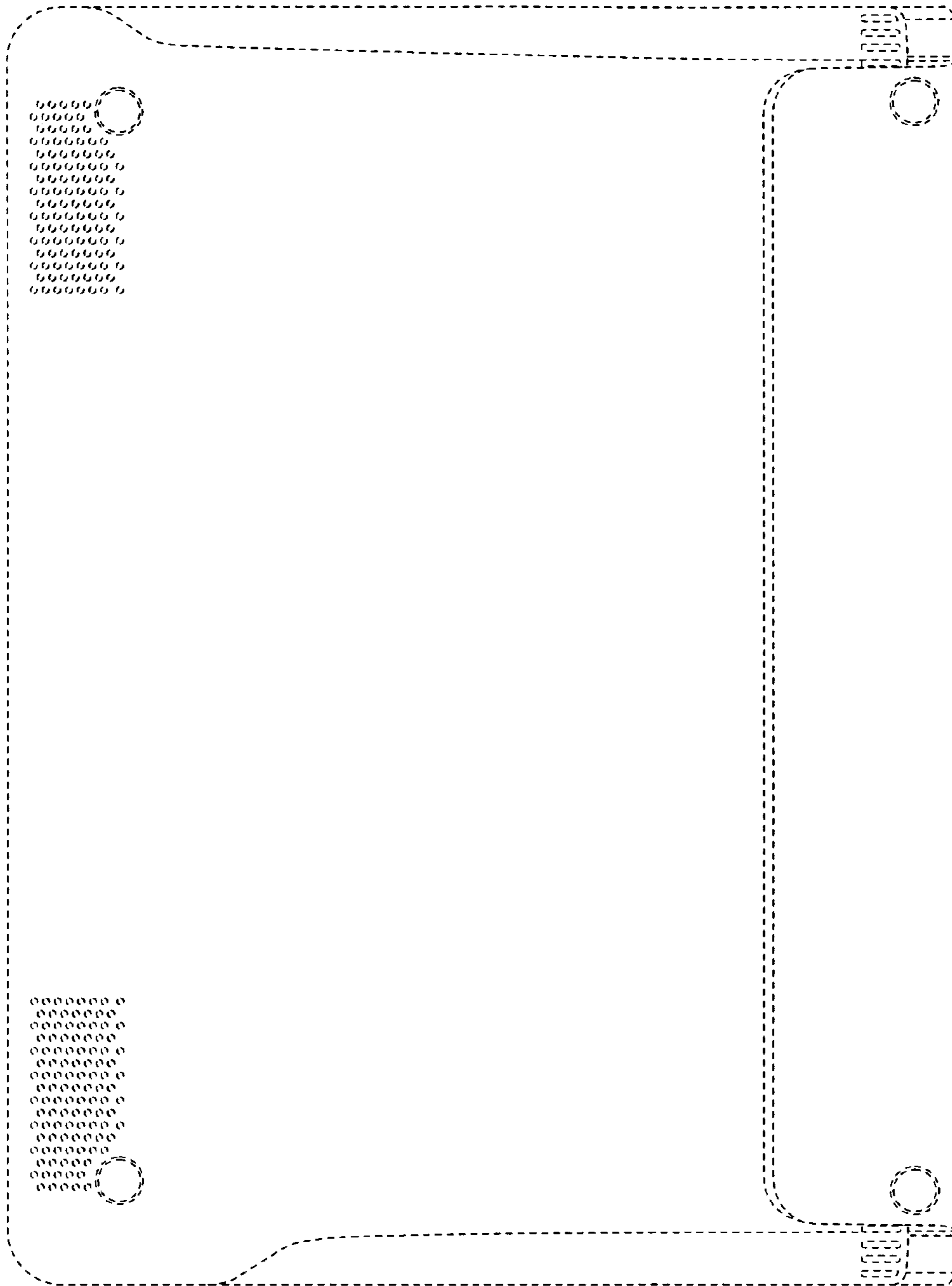


FIG. 8