



US00D616433S

(12) **United States Design Patent**  
**Morishita et al.**

(10) **Patent No.:** **US D616,433 S**

(45) **Date of Patent:** **\*\* May 25, 2010**

(54) **PERSONAL COMPUTER**

(75) Inventors: **Akiyo Morishita**, Tokyo (JP); **Kenichi Kimura**, Kamakura (JP); **Eiji Nagao**, Ichikawa (JP); **Takashi Watanabe**, Higashikurume (JP)

(73) Assignee: **Fujitsu Limited**, Kawasaki (JP)

(\*\*) Term: **14 Years**

(21) Appl. No.: **29/311,457**

(22) Filed: **Mar. 20, 2009**

(30) **Foreign Application Priority Data**

Sep. 24, 2008 (JP) ..... 2008-024334

(51) **LOC (9) Cl.** ..... **14-02**

(52) **U.S. Cl.** ..... **D14/315; D14/455**

(58) **Field of Classification Search** ..... D14/391-399, D14/315-327, 341, 345, 331, 130; D18/1, D18/2, 7, 11; 178/17 A, 17 C; 345/102, 345/104, 156, 163, 168; 341/22, 23; 361/679.06, 361/679.08, 679.09, 679.11, 679.26, 679.27; 400/486, 489

See application file for complete search history.

(56) **References Cited**

**U.S. PATENT DOCUMENTS**

D417,204 S \* 11/1999 Liu et al. .... D14/318  
6,323,902 B1 \* 11/2001 Ishikawa ..... 348/373  
6,735,698 B1 \* 5/2004 Callam ..... 726/35  
6,771,494 B2 \* 8/2004 Shimano ..... 361/679.06

D496,033 S \* 9/2004 Kanayama ..... D14/318  
6,894,894 B2 \* 5/2005 Zarek et al. .... 361/679.08  
D518,042 S \* 3/2006 Kanayama ..... D14/318  
D586,799 S \* 2/2009 Gluskoter et al. .... D14/315  
2004/0233176 A1 \* 11/2004 Denq et al. .... 345/173  
2005/0018396 A1 \* 1/2005 Nakajima et al. .... 361/683

\* cited by examiner

*Primary Examiner*—Freda S Nunn

(57) **CLAIM**

The ornamental design for a personal computer, as shown and described.

**DESCRIPTION**

FIG. 1 is a perspective view of top, front and right side of a personal computer showing our new design;

FIG. 2 is a top plan view thereof;

FIG. 3 is a front view thereof;

FIG. 4 is a rear view thereof;

FIG. 5 is a left side view thereof;

FIG. 6 is a right side view thereof;

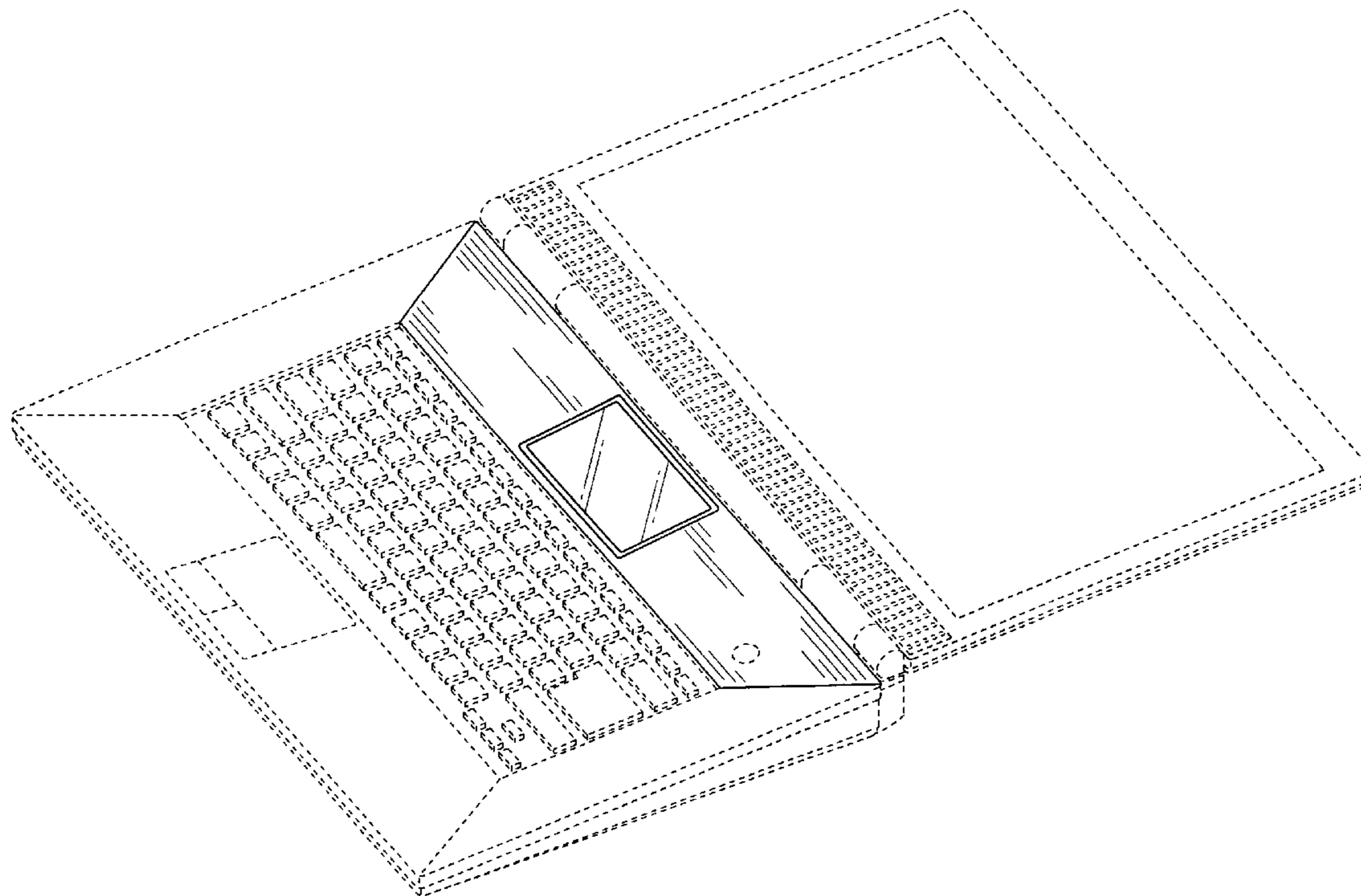
FIG. 7 is a bottom view thereof;

FIG. 8 is a cross sectional view thereof shown along lines 8—8 in FIG. 2 and omitting the interior mechanism; and,

FIG. 9 is a perspective view with the lid in closed condition thereof.

Broken lines shown in the drawings illustrate portions of the personal computer and form no part of the claimed design.

**1 Claim, 7 Drawing Sheets**



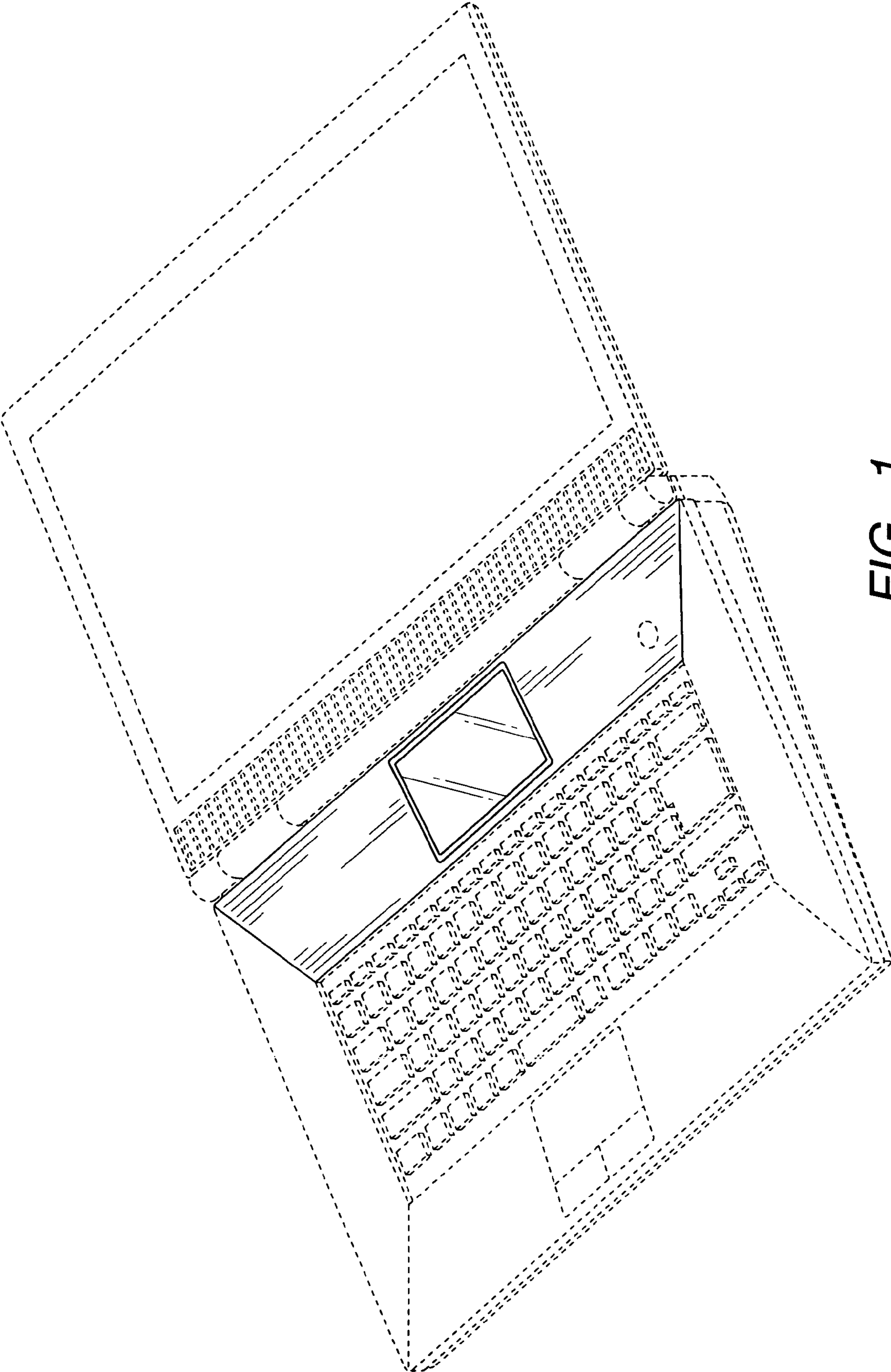
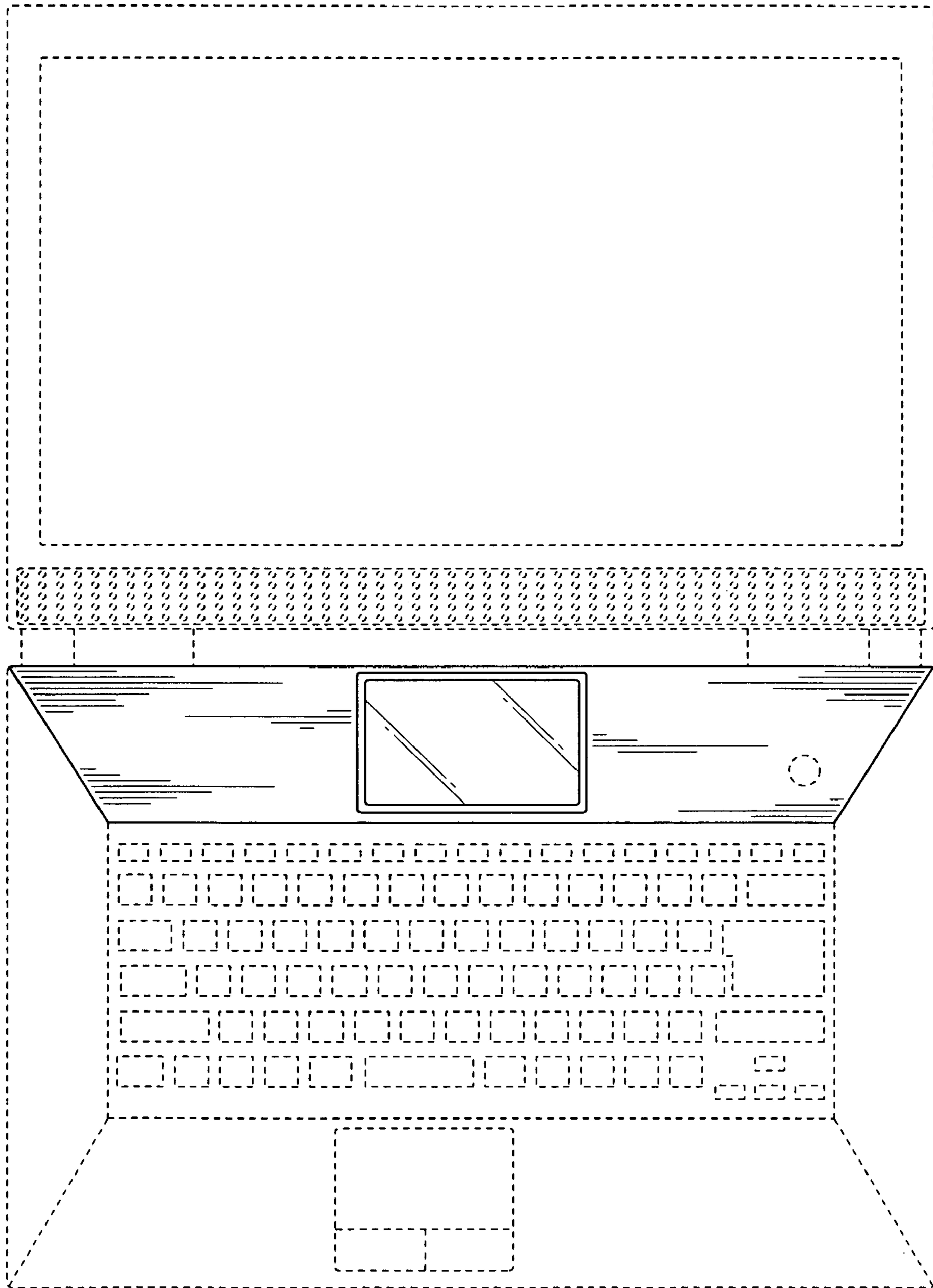


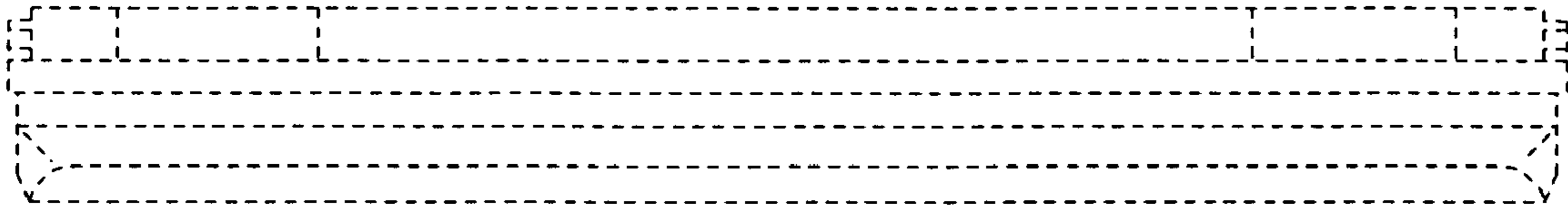
FIG. 1

8

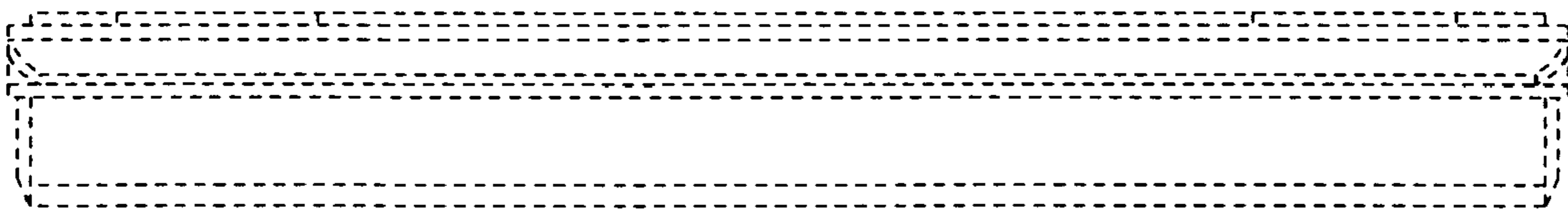


8

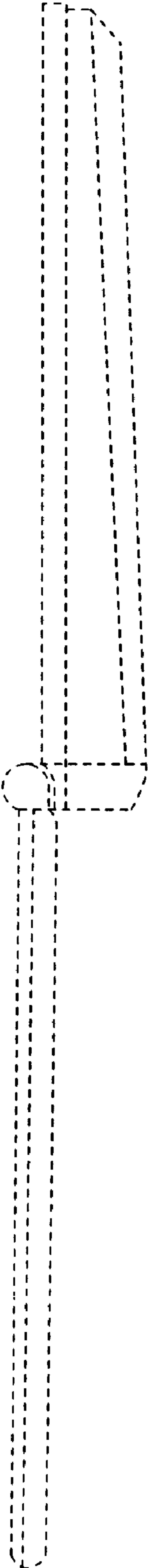
FIG. 2



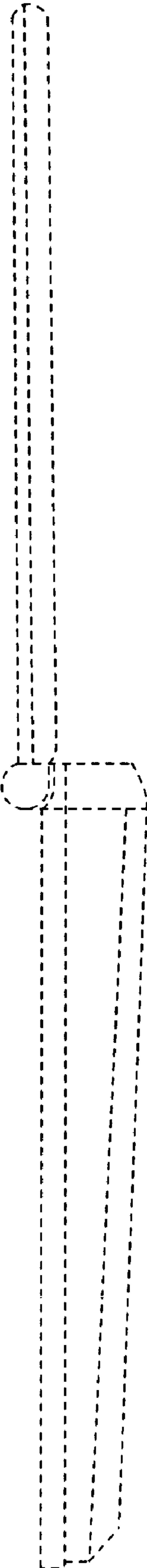
*FIG. 3*



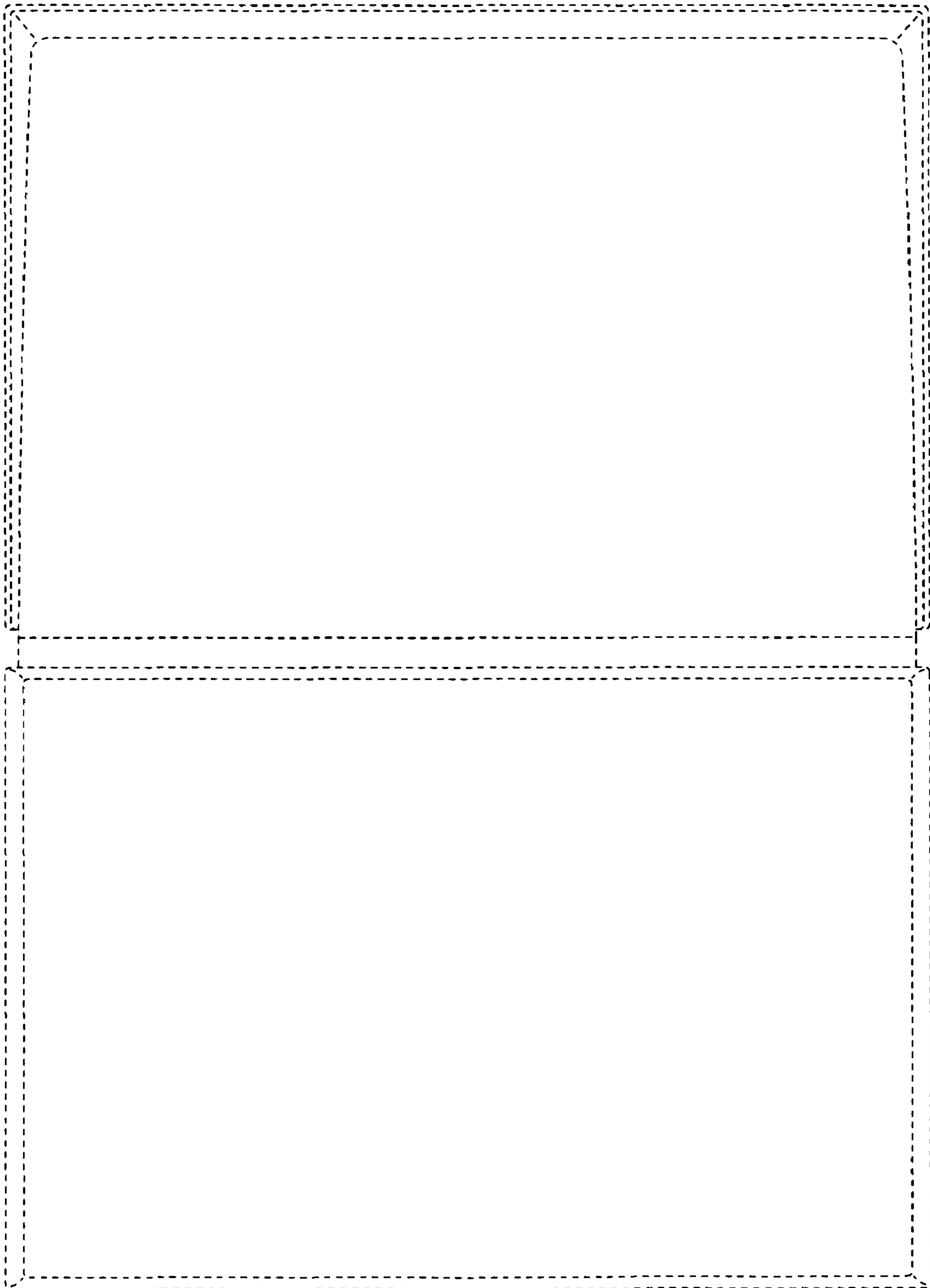
*FIG. 4*



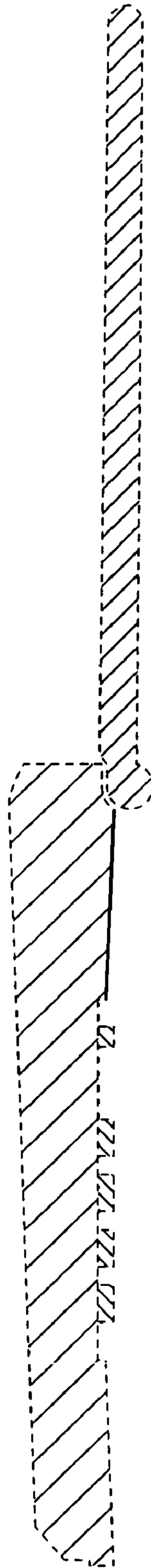
**FIG. 5**



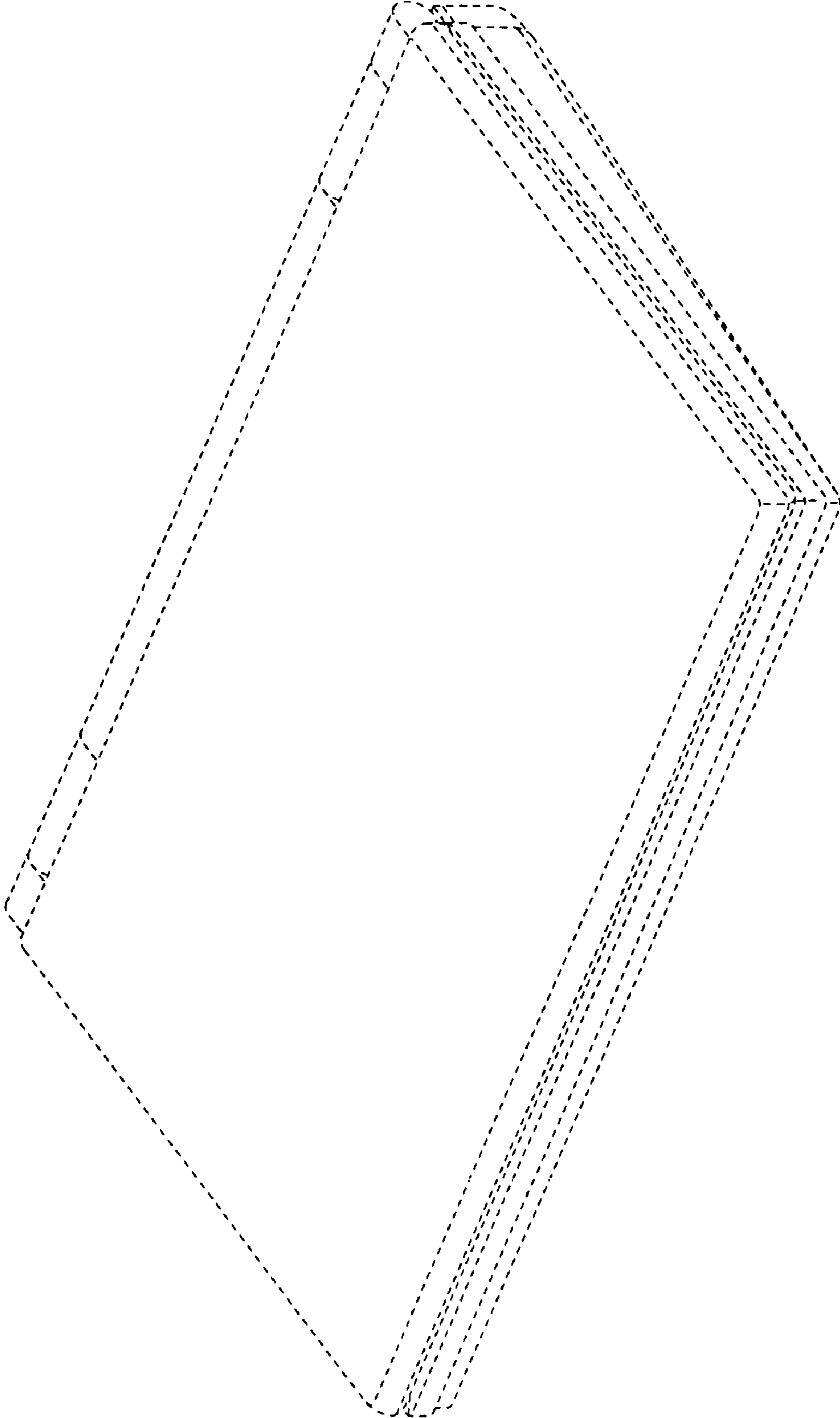
**FIG. 6**



*FIG. 7*



**FIG. 8**



**FIG. 9**