



US00D616432S

(12) **United States Design Patent**  
**Cagnina et al.**

(10) **Patent No.:** **US D616,432 S**  
(45) **Date of Patent:** **\*\* May 25, 2010**

(54) **HIGH PRODUCT DENSITY INTERACTIVE ROTATING KIOSK**

D488,666 S 4/2004 Mobley

(76) Inventors: **Franco M. Cagnina**, 312 W. 8<sup>th</sup> St.,  
Kansas City, MO (US) 64105; **Barrett C. Prelogar**, 8020 High Dr., Leawood,  
KS (US) 66206

(Continued)

*Primary Examiner*—Cathron C Brooks  
*Assistant Examiner*—Deanna Fluegeman

(\*\*) Term: **14 Years**

(74) *Attorney, Agent, or Firm*—Sonnenschein Nath &  
Rosenthal LLP; Adam C. Rehm

(21) Appl. No.: **29/283,933**

(57) **CLAIM**

(22) Filed: **Aug. 27, 2007**

The ornamental design for a high product density interactive rotating kiosk, as shown and described.

(51) **LOC (9) Cl.** ..... **14-02**

(52) **U.S. Cl.** ..... **D14/307; D6/396**

(58) **Field of Classification Search** ..... D14/302–307,  
D14/371, 373, 374, 315, 316, 336, 341, 125–127,  
D14/129, 900–902; D13/163; D20/10; D21/329,  
D21/332; D99/28; D6/396, 329, 397, 466–469,  
D6/471, 472; 194/206; 361/680–687; 312/198;  
D10/65

**DESCRIPTION**

See application file for complete search history.

FIG. 1 is a top view of a high product density interactive rotating kiosk showing the new design;

FIG. 2 is a front elevational view of the high product density interactive rotating kiosk shown in FIG. 1 (the rear elevational view of the high product density interactive rotating kiosk is a mirror image of the view shown in FIG. 2 except with several parts rearranged on either side as shown in FIG. 3);

(56) **References Cited**

**U.S. PATENT DOCUMENTS**

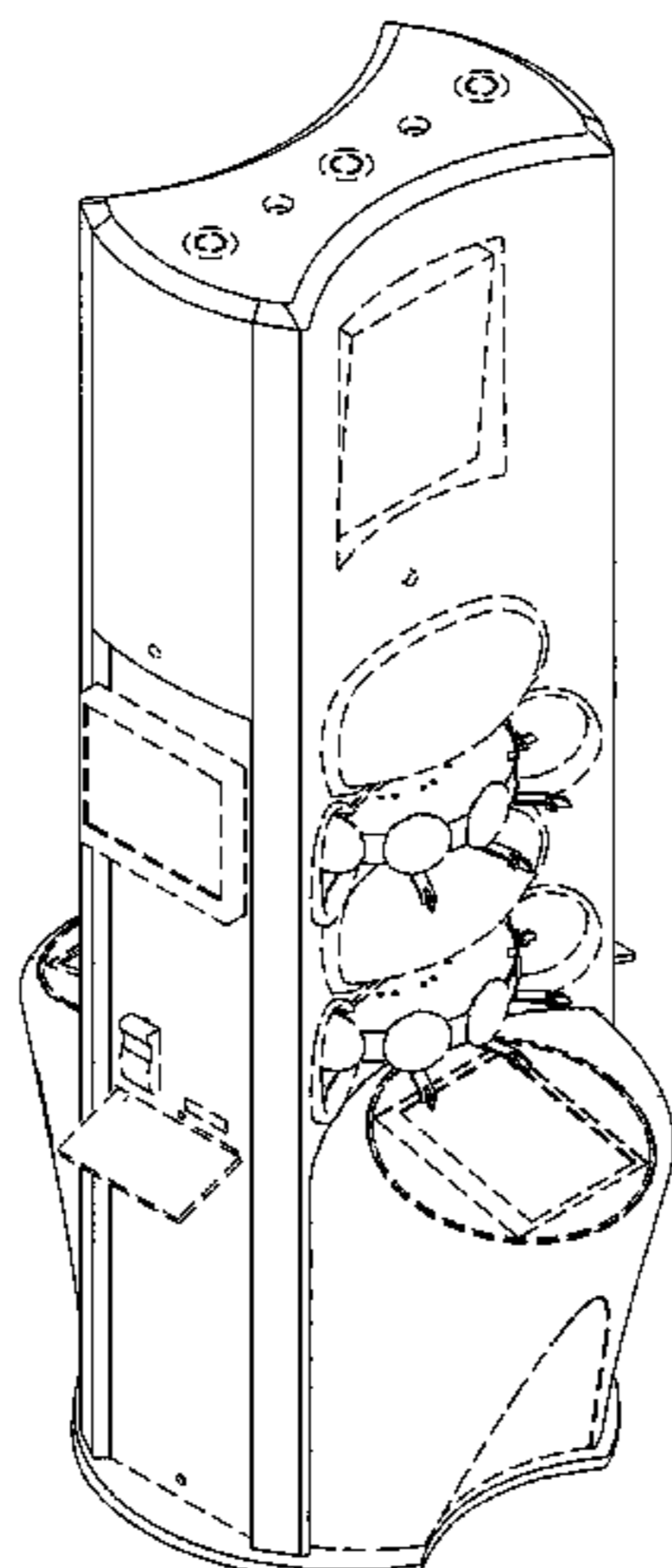
4,179,723 A	12/1979	Spencer	
D324,701 S *	3/1992	Capps	D20/19
D325,832 S *	5/1992	Allen	D6/470
D330,919 S *	11/1992	Von Canal	D20/10
D331,847 S *	12/1992	Allen	D6/470
D334,775 S *	4/1993	Foster	D20/10
D377,170 S *	1/1997	Wilson	D14/130
D379,666 S	6/1997	Horton	
5,663,746 A *	9/1997	Pellenberg et al.	345/581
D388,229 S	12/1997	Couch	
5,702,166 A *	12/1997	Lee	D14/130
D402,782 S *	12/1998	Johnson	D99/28
D435,597 S *	12/2000	Febish et al.	D20/10
D452,711 S *	1/2002	White et al.	D20/10
D461,505 S *	8/2002	Bain et al.	D20/10
D462,776 S *	9/2002	Bain et al.	D14/307
D474,766 S	5/2003	Perscky de Fabrega	
6,698,597 B2 *	3/2004	Marihugh	211/26

FIG. 3 is a left side elevational view of the high product density interactive rotating kiosk shown in FIG. 1 (the right side elevational view of the high product density interactive rotating kiosk is a mirror image of the view shown in FIG. 3 except with several parts rearranged on either side as shown); and,

FIG. 4 is a perspective view of the high product density interactive rotating kiosk shown in FIG. 1.

Applicants specifically disclaim any surface ornamentation, logos, written matter, kiosk attachments and/or extensions therefrom such as but not limited to keyboards, display holders and backboards, rotatable wheels, wheel tabs, filters, ports, caps, attachment ports and/or bases, grooves, ribs, or any other features apart from the primary outer surface, all of which form no part of the claimed design.

**1 Claim, 4 Drawing Sheets**



# US D616,432 S

Page 2

---

## U.S. PATENT DOCUMENTS

D502,942 S *	3/2005	Penke et al. ....	D14/302	D579,035 S *	10/2008	Kim et al. ....	D15/199
D509,502 S *	9/2005	Penke et al. ....	D14/302	2006/0070284 A1 *	4/2006	Sparkowski ....	40/610
6,945,457 B1 *	9/2005	Barcelou ....	235/380	2007/0252003 A1 *	11/2007	Goldring et al. ....	235/381
D542,052 S *	5/2007	Scholen et al. ....	D6/396	2008/0189173 A1 *	8/2008	Bakar et al. ....	705/14

\* cited by examiner

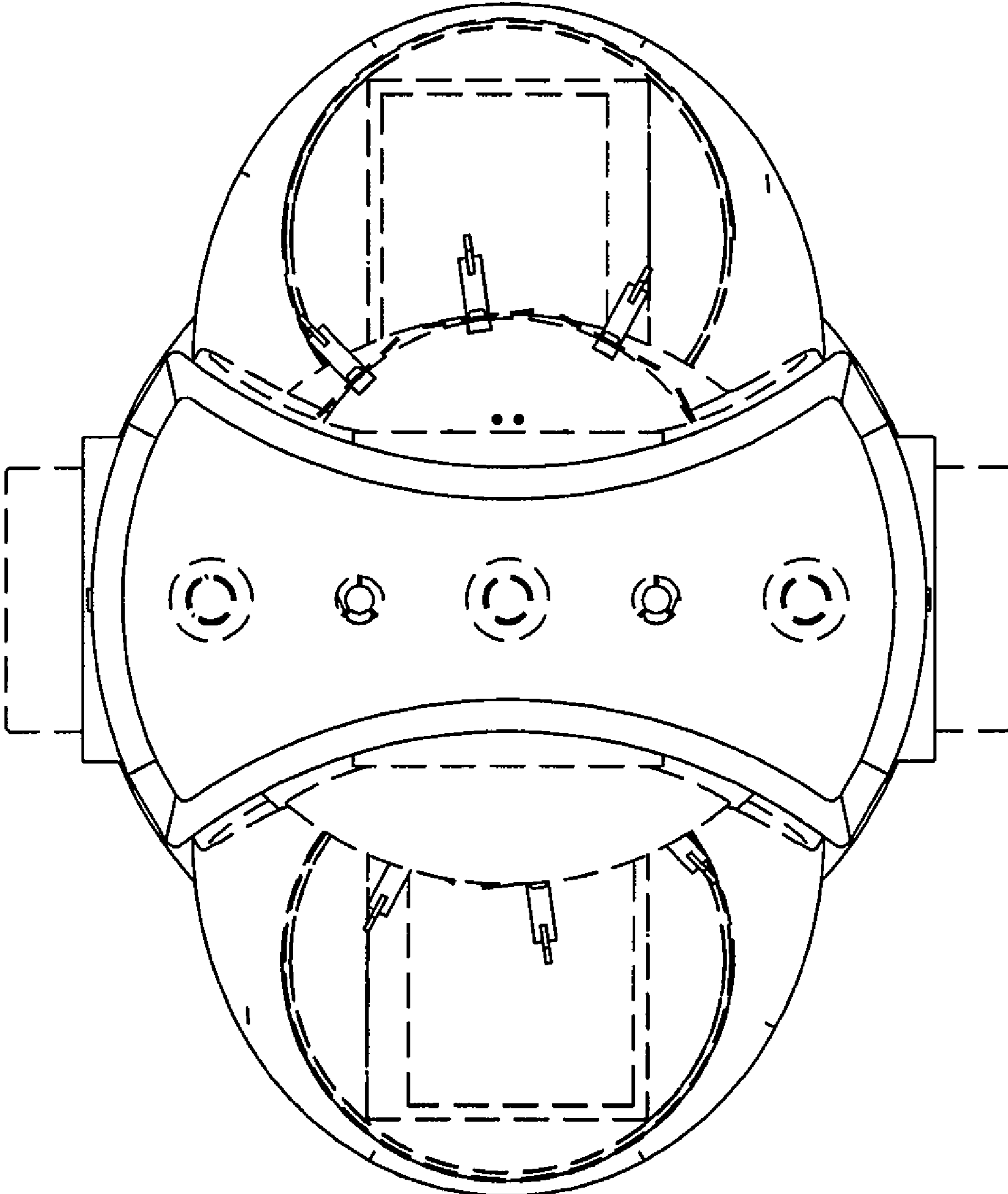


Fig. 1

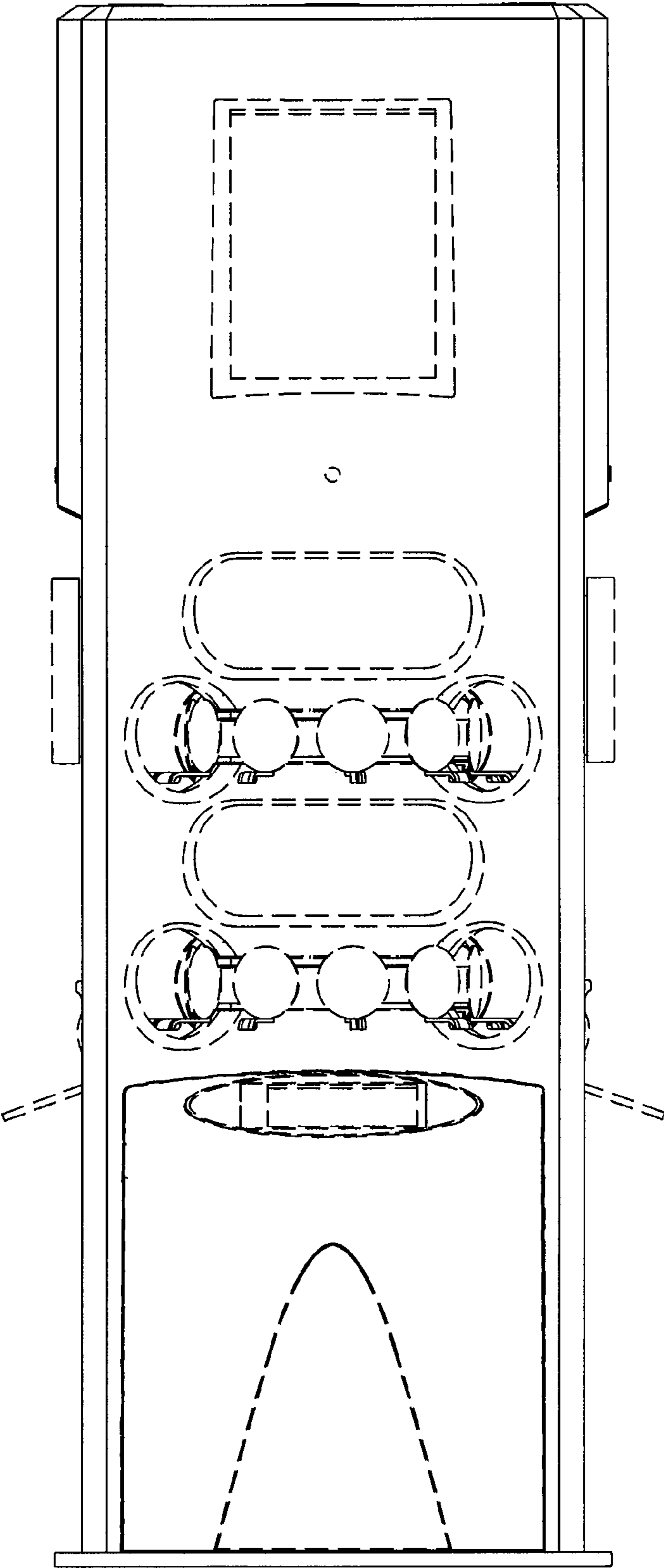


Fig. 2

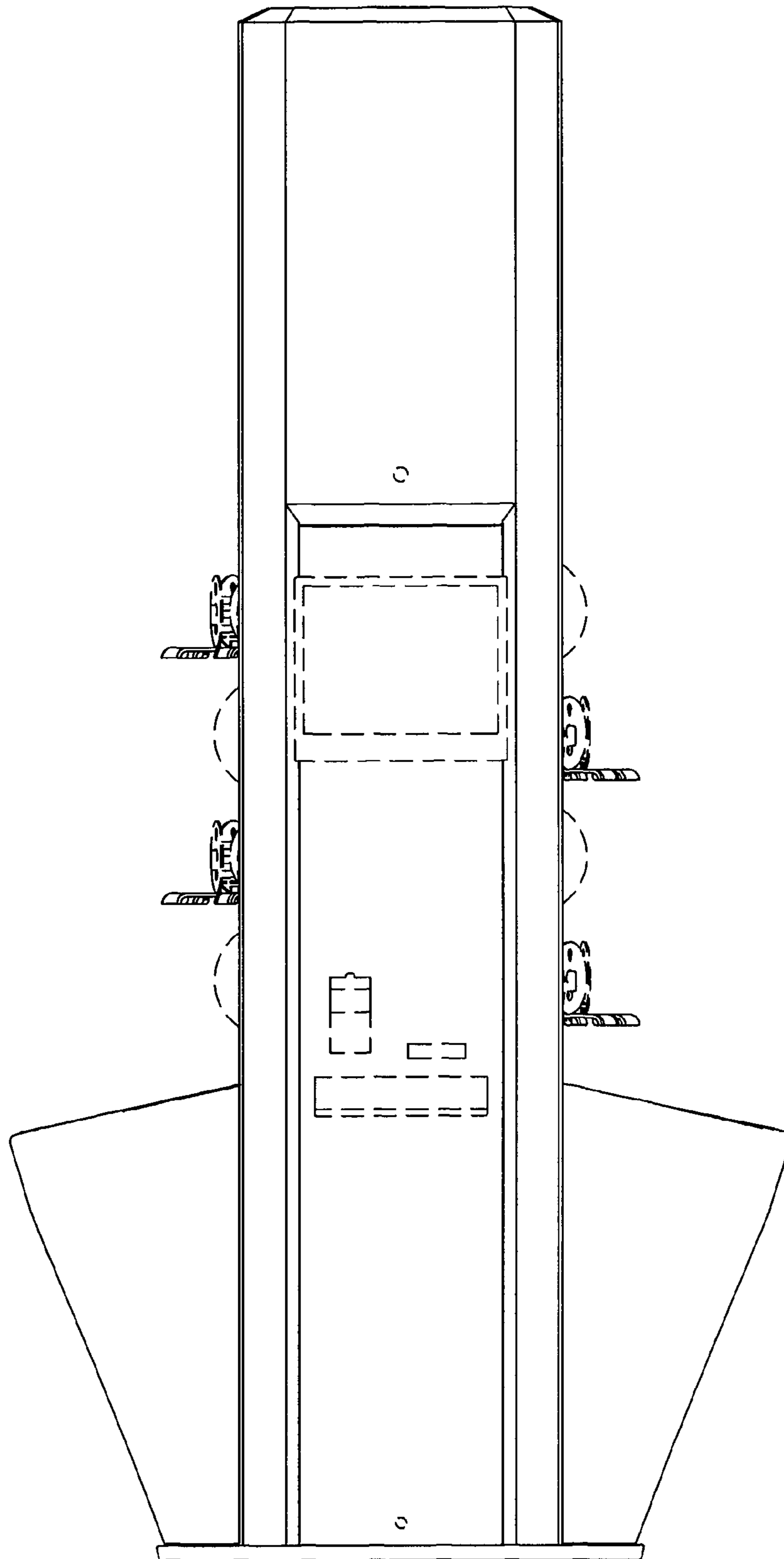


Fig. 3

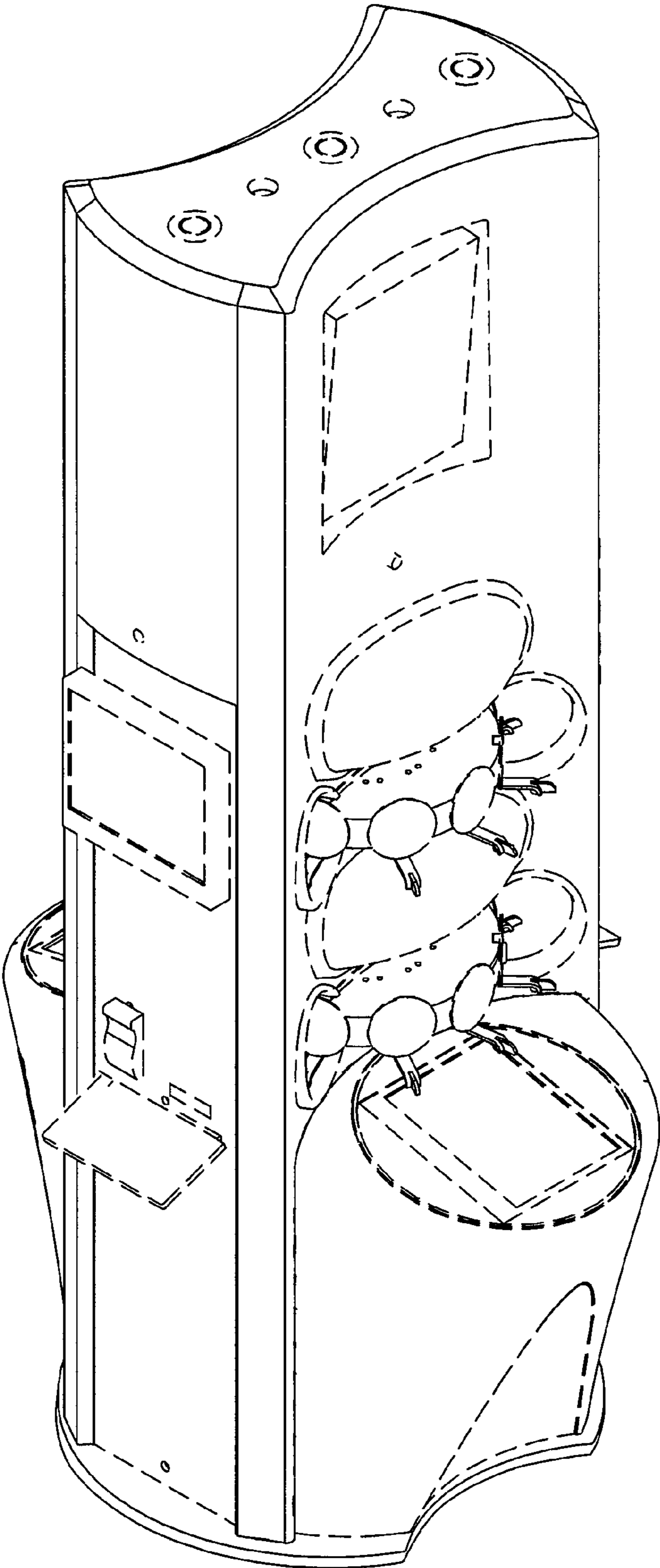


Fig. 4