



US00D616431S

(12) **United States Design Patent**
Hijmans

(10) **Patent No.:** **US D616,431 S**

(45) **Date of Patent:** **** May 25, 2010**

(54) **ELECTRONIC DEVICE HOLDER**

(75) Inventor: **Merijn Hijmans**, The Hague (NL)

(73) Assignee: **3PM China Manufacturing Ltd.**,
Shenzhen (CN)

(**) Term: **14 Years**

(21) Appl. No.: **29/346,997**

(22) Filed: **Nov. 10, 2009**

(51) **LOC (9) Cl.** **14-03**

(52) **U.S. Cl.** **D14/253**

(58) **Field of Classification Search** D14/149,
D14/250-253, 299, 452, 454, 447; D8/363,
D8/373, 71, 367, 371; D12/415; 248/206.2-206.4,
248/220.21, 279.1; 379/426, 446, 454, 455
See application file for complete search history.

(56) **References Cited**

U.S. PATENT DOCUMENTS

1,637,981	A *	8/1927	Baldwin	248/493
D156,659	S *	12/1949	Reed	D8/395
D252,088	S *	6/1979	Johansson	D14/253
D262,211	S *	12/1981	Janda	D14/149
D279,674	S *	7/1985	Harley	D14/251
D290,956	S *	7/1987	Witham	D14/253
D299,423	S *	1/1989	Davis	D8/373
D331,007	S *	11/1992	Roick	D8/367
D349,447	S *	8/1994	Daniller	D8/367
D359,674	S *	6/1995	Roick	D8/367
5,505,436	A *	4/1996	Roick	267/107
D386,766	S *	11/1997	Johansson	D14/253
6,484,365	B1 *	11/2002	Thompson	24/3.12
D467,160	S *	12/2002	Roick	D8/371
D510,517	S *	10/2005	Noack	D8/373
D557,259	S *	12/2007	Hirsch	D14/217
D574,375	S *	8/2008	Prest et al.	D14/253

D608,356	S *	1/2010	Peyridieu	D14/253
D608,357	S *	1/2010	Peyridieu	D14/253
D608,622	S *	1/2010	Zhu	D8/363
2004/0200940	A1 *	10/2004	Pacheco	248/301

OTHER PUBLICATIONS

Aimee Lobb Cellphone Holder, <URL:www.techlink.org>, retrieved from internet Mar. 12, 2010.*

* cited by examiner

Primary Examiner—Robert M Spear

Assistant Examiner—Carla Jobe Wright

(74) *Attorney, Agent, or Firm*—Griffiths & Seaton PLLC

(57) **CLAIM**

The ornamental design for a electronic device holder, as shown and described.

DESCRIPTION

FIG. 1 is a front, perspective view of a electronic device holder showing a first embodiment of our new design;

FIG. 2 is a front view thereof;

FIG. 3 is a rear view thereof;

FIG. 4 is a right side view thereof, the left side view being a mirror image of the right side view;

FIG. 5 is a top view thereof;

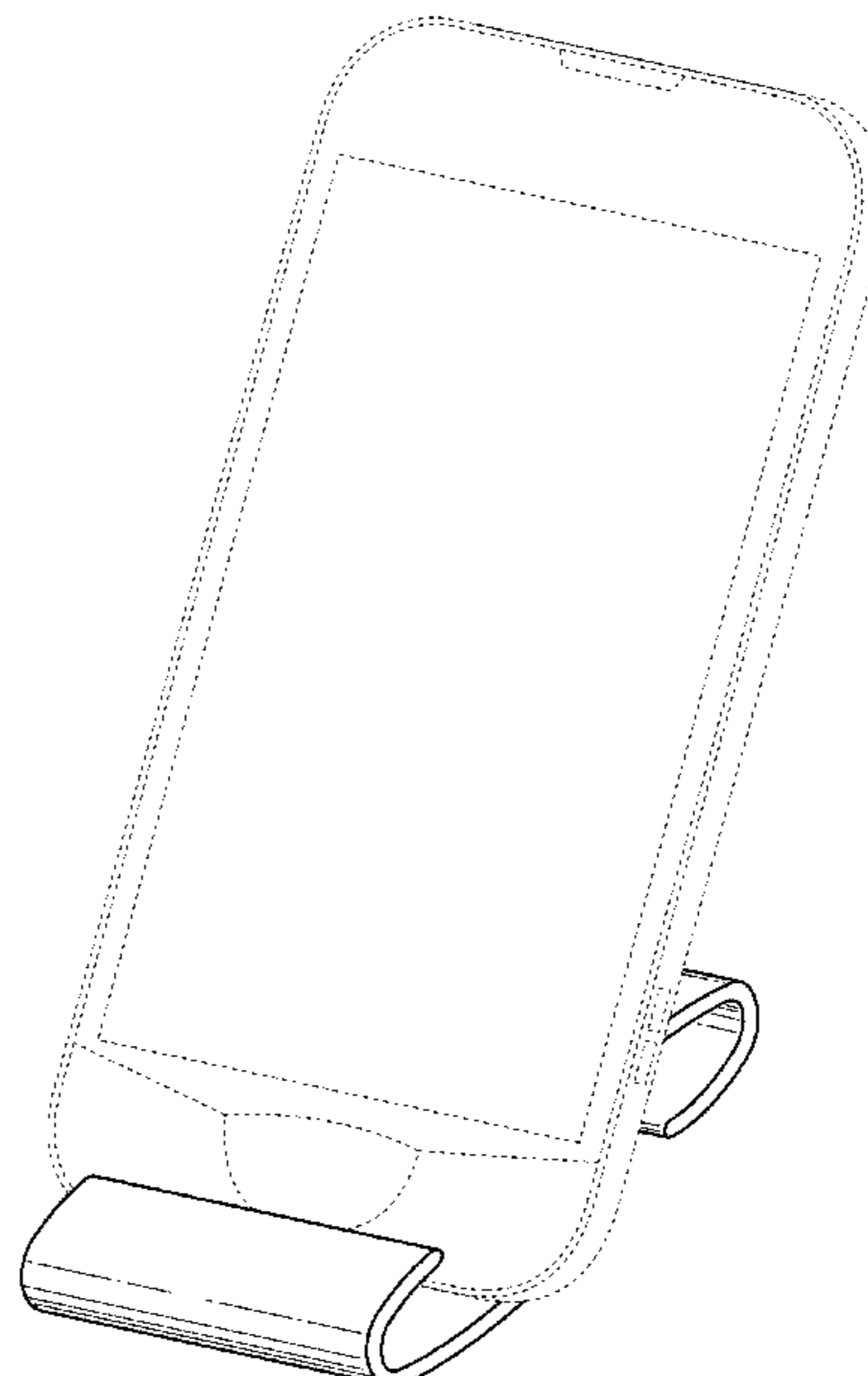
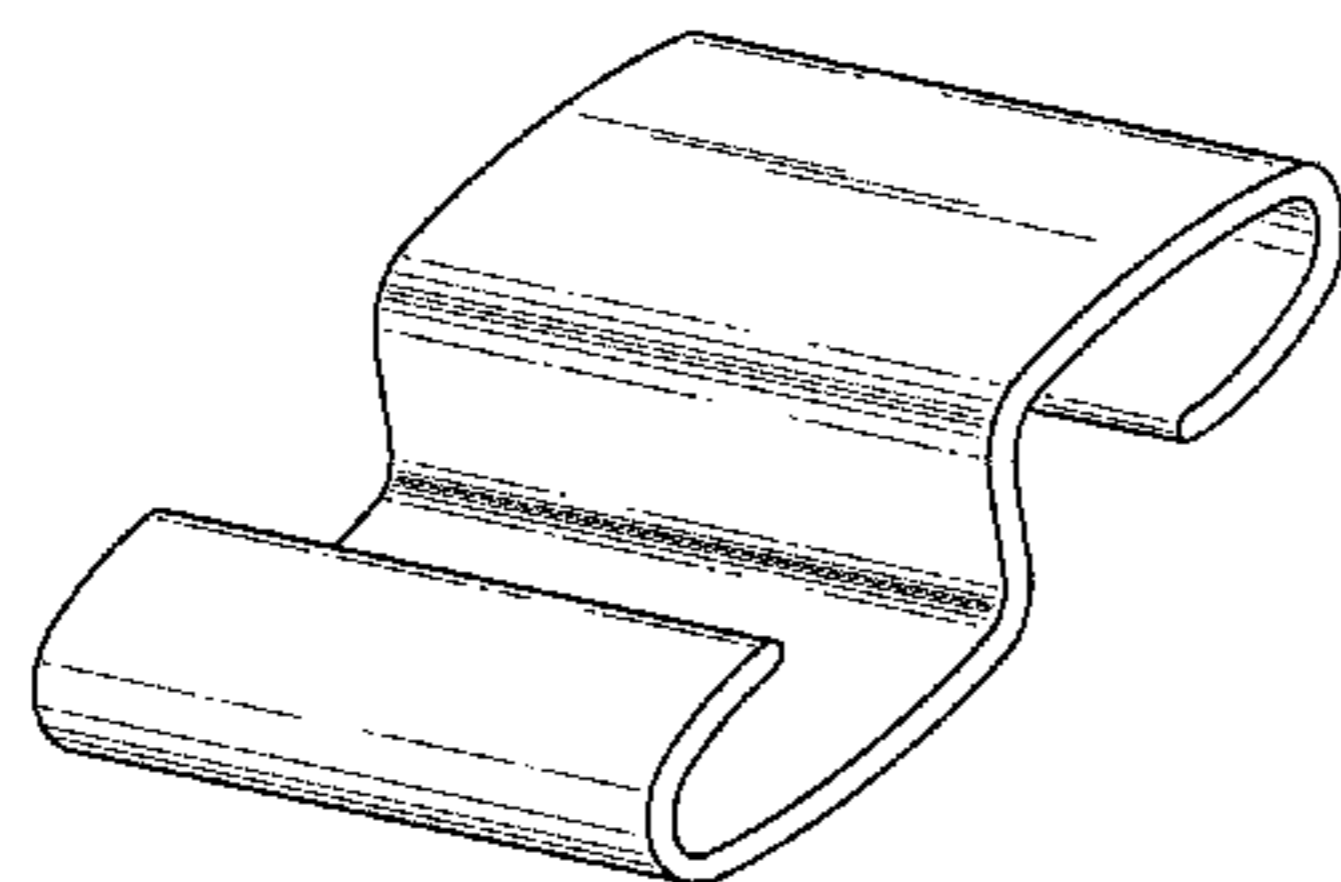
FIG. 6 is a bottom view thereof;

FIG. 7 is a front, perspective view thereof showing the electronic device holder in an environment of use; and,

FIG. 8 is a front, perspective view thereof showing the electronic device holder in an environment of use.

The features shown in broken lines in FIGS. 7 and 8 depict environmental subject matter only and form no part of the claimed design.

1 Claim, 5 Drawing Sheets



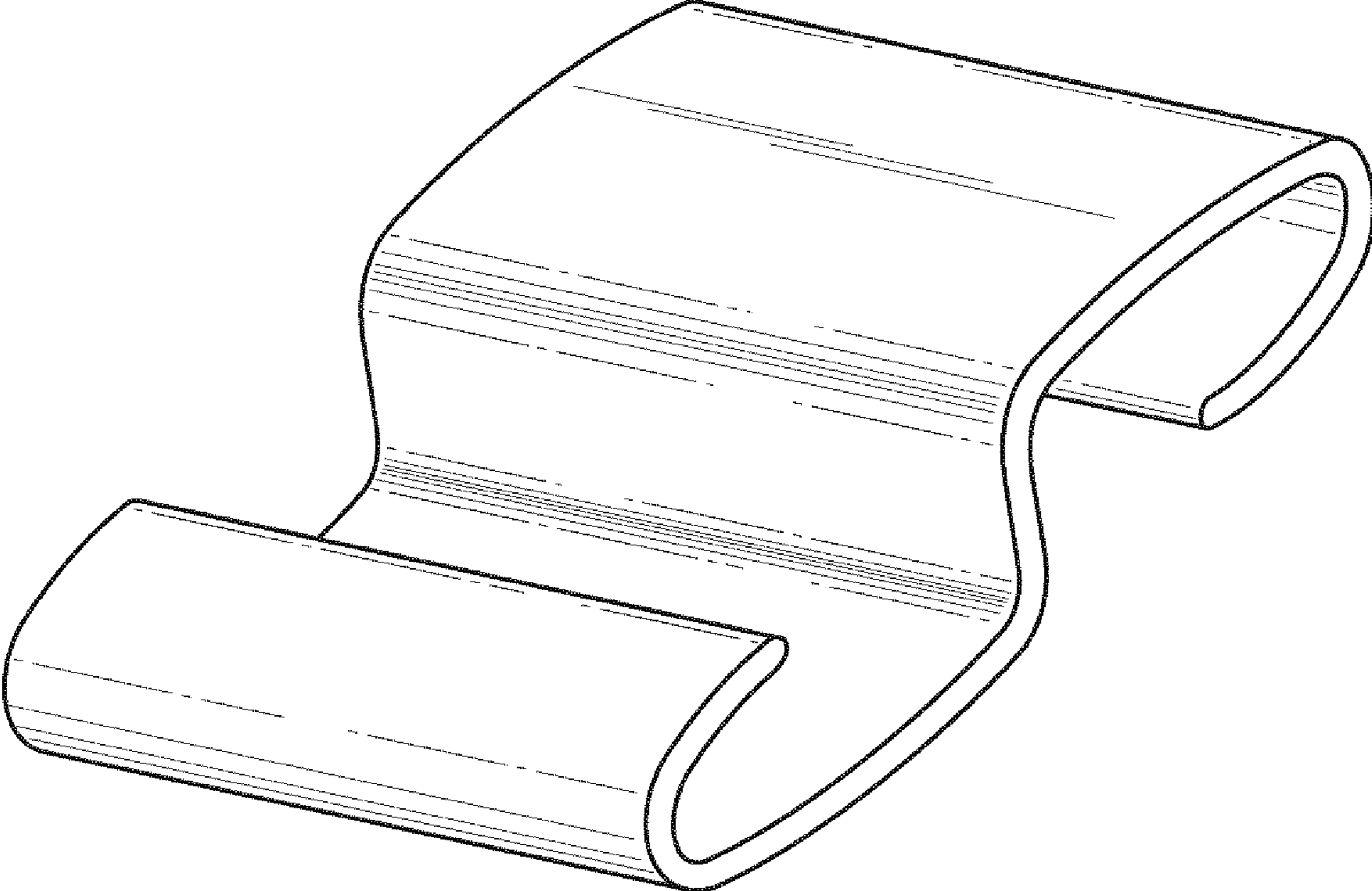


Fig. 1

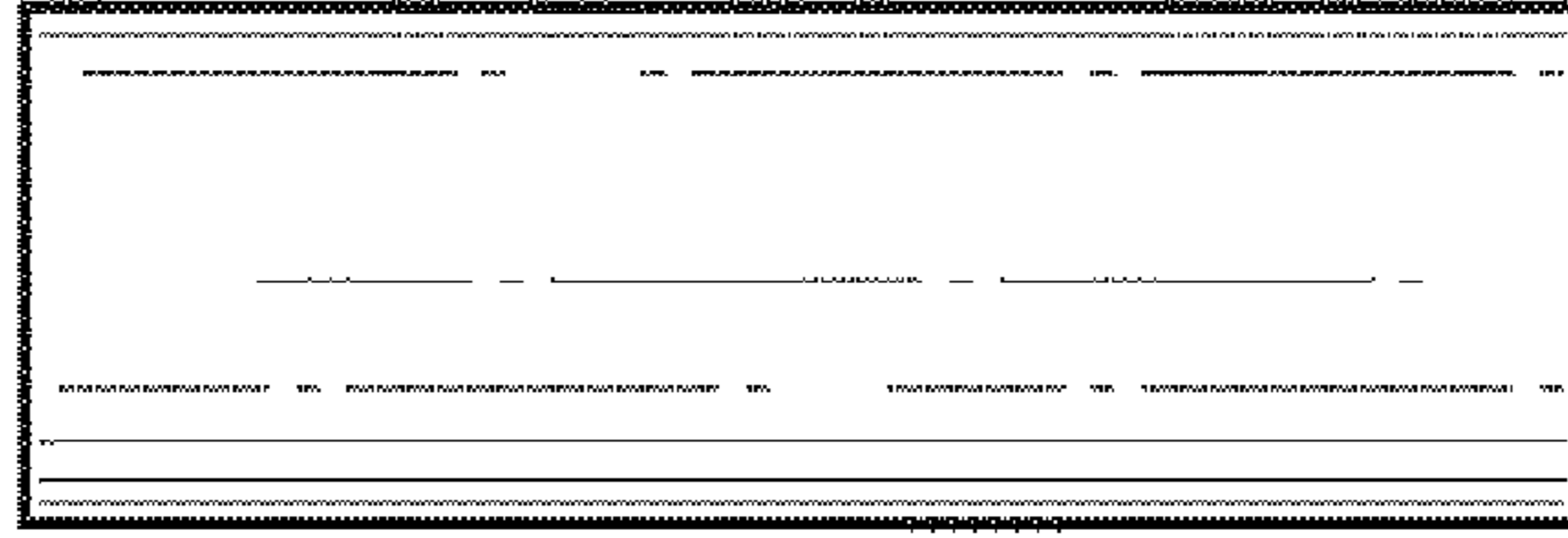


Fig. 2

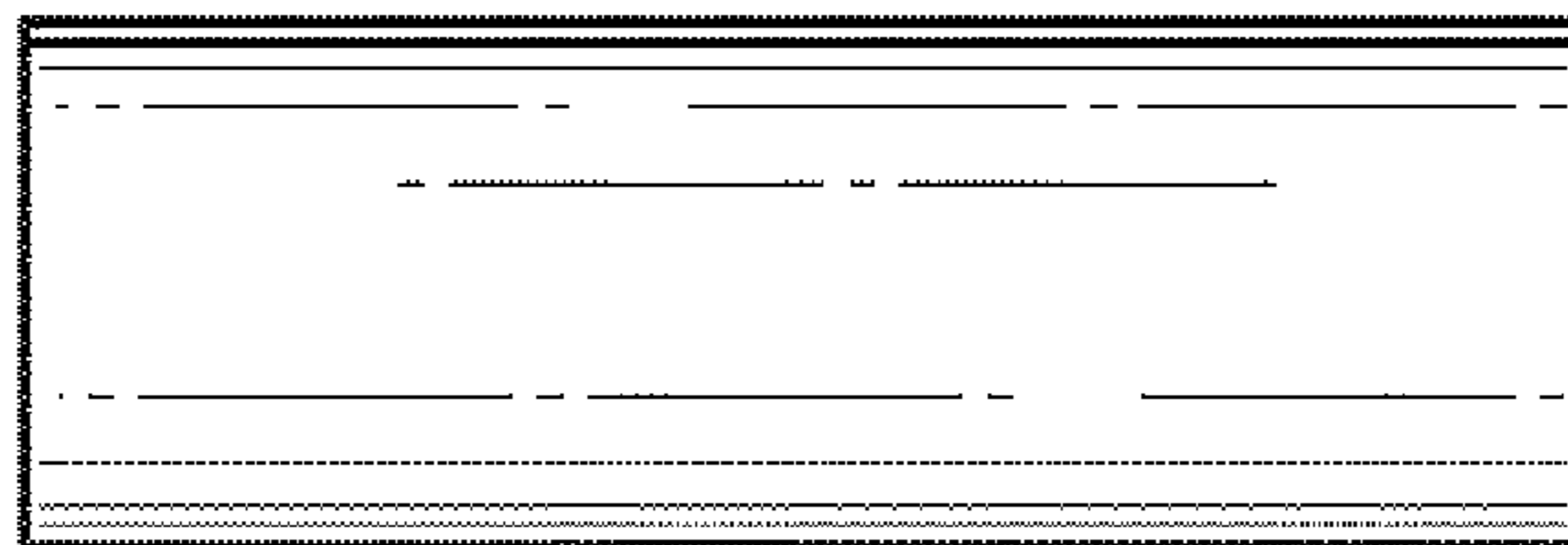


Fig. 3

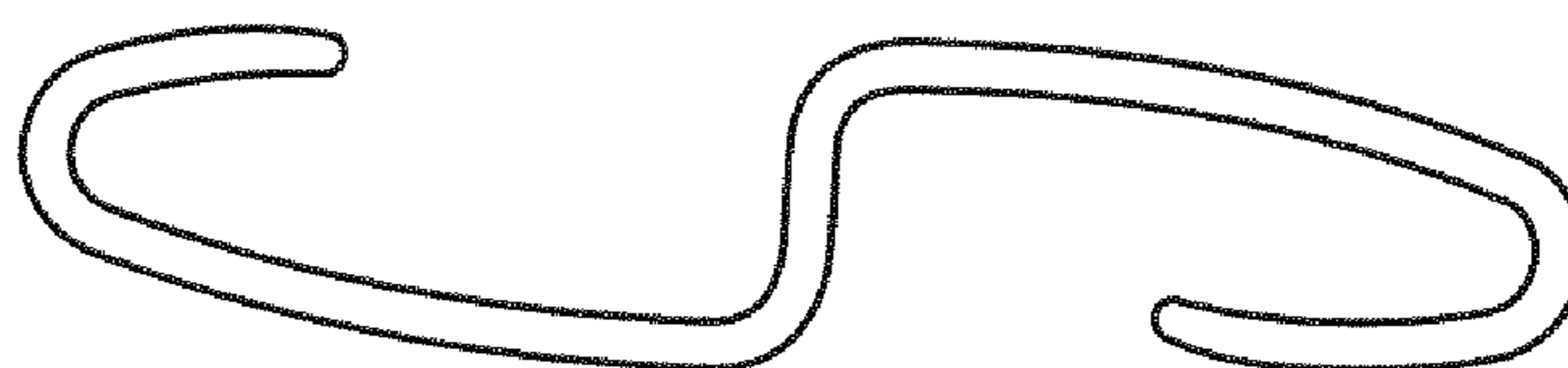


Fig. 4

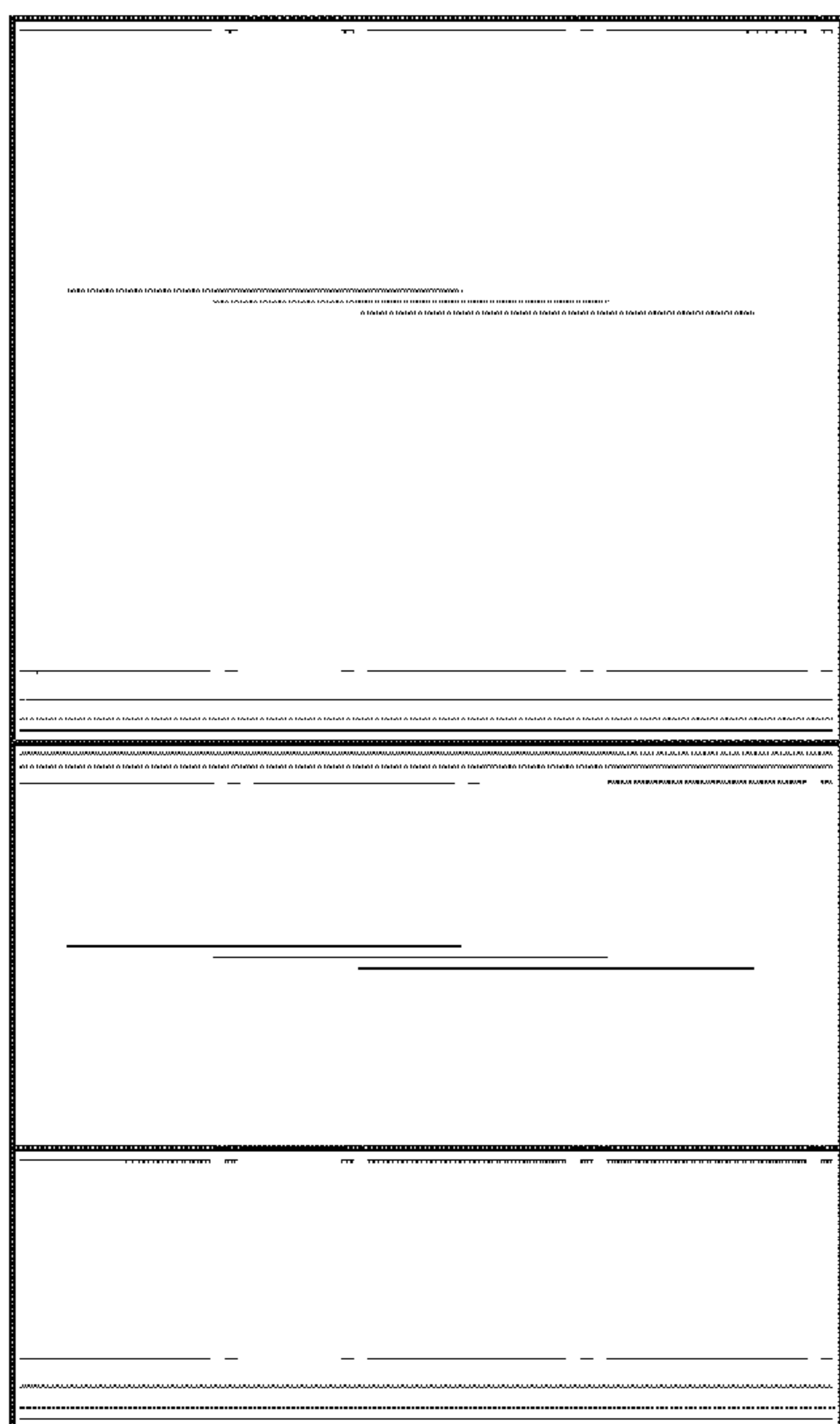


Fig. 5

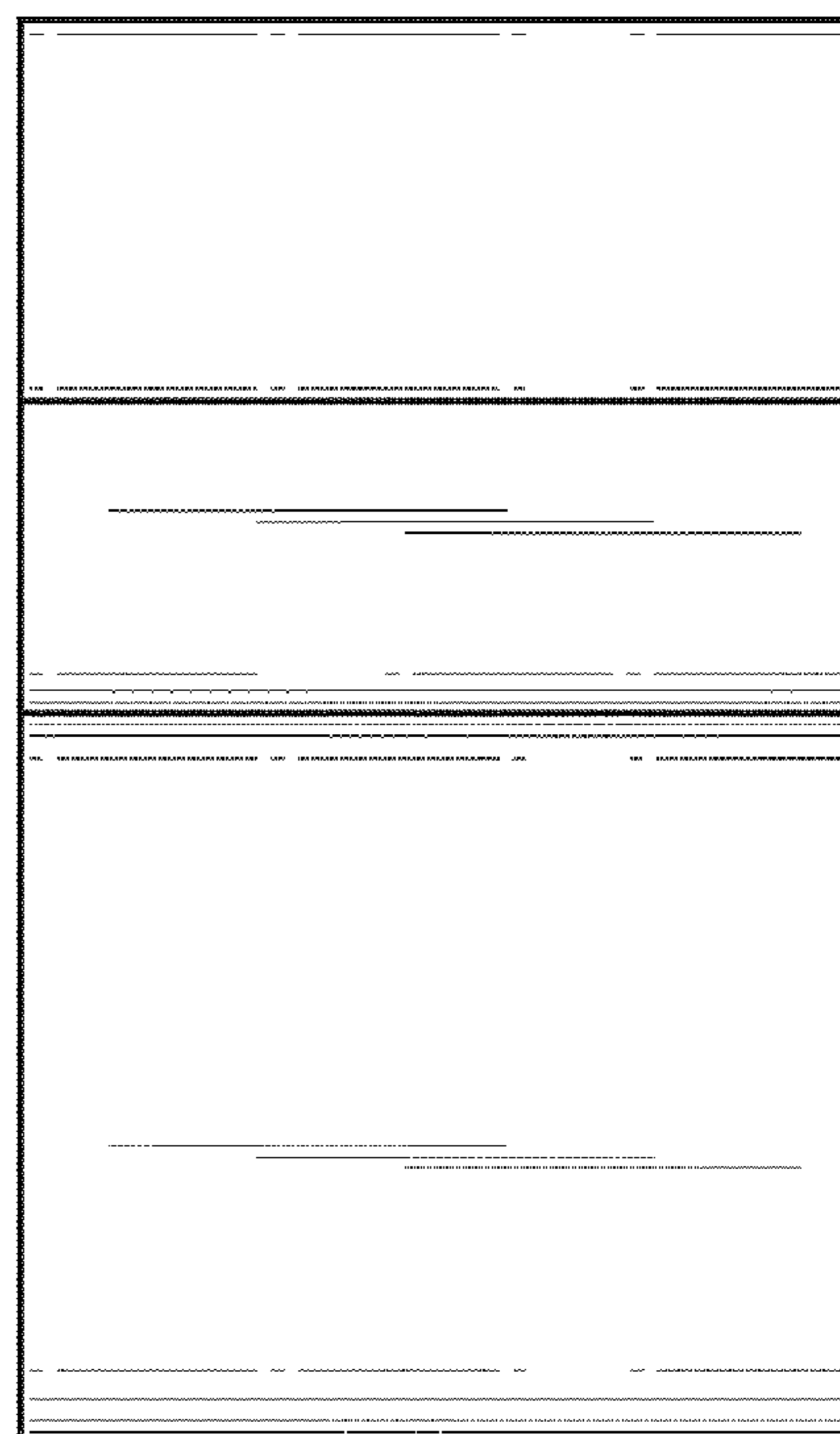


Fig. 6

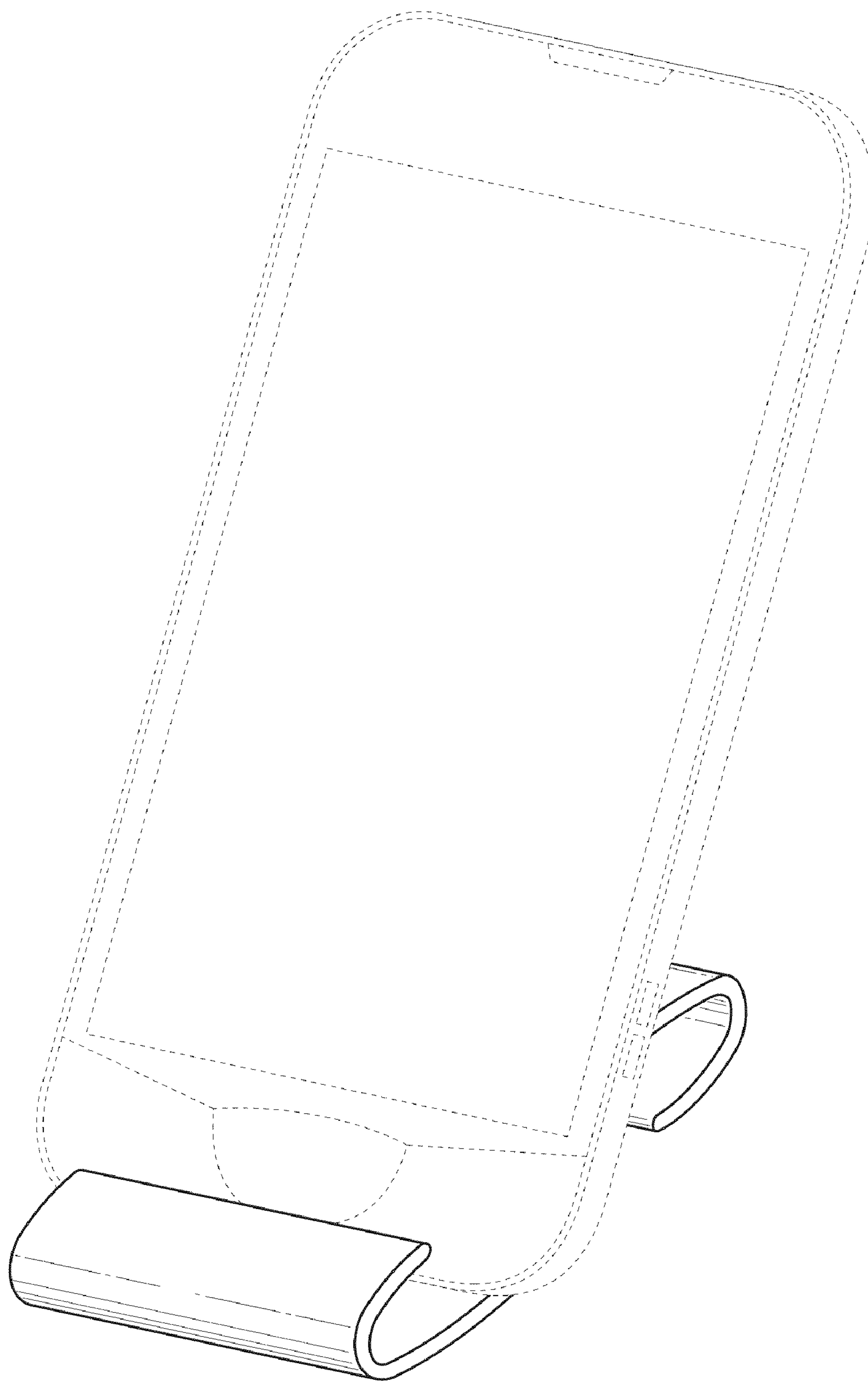


Fig. 7

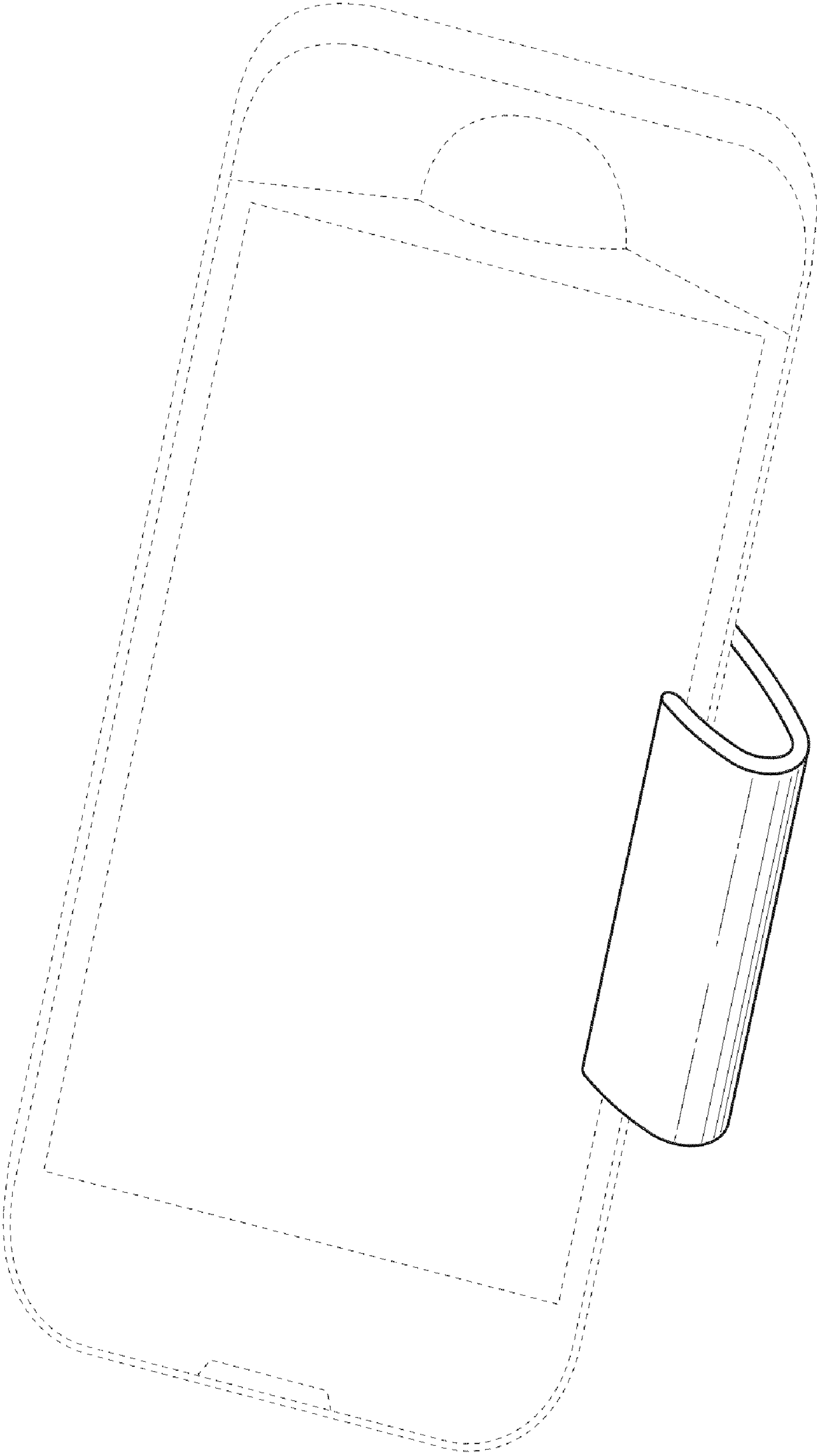


Fig. 8