



US00D616427S

(12) **United States Design Patent**
Li

(10) **Patent No.:** **US D616,427 S**
(45) **Date of Patent:** **** May 25, 2010**

(54) **KEYPAD**

(75) Inventor: **Jian-Hui Li**, Shenzhen (CN)

(73) Assignee: **FIH (Hong Kong) Limited**, Kowloon (HK)

(**) Term: **14 Years**

(21) Appl. No.: **29/339,662**

(22) Filed: **Jul. 6, 2009**

(30) **Foreign Application Priority Data**

Mar. 19, 2009 (CN) 2009 3 0301489.6

(51) **LOC (9) Cl.** **14-03**

(52) **U.S. Cl.** **D14/247; D14/455**

(58) **Field of Classification Search** D14/247–248, D14/138 R, 138 AD, 138 AC, 138 C, 138 G, D14/191, 203.1–203.8, 496, 144, 244, 432, D14/439, 455, 456, 138 AA, 138 AB, 137, D14/147, 218, 341–347; D10/65, 78, 104; D13/168; D18/7; 455/566, 575.1, 575.3; 345/169

See application file for complete search history.

(56) **References Cited**

U.S. PATENT DOCUMENTS

- D271,572 S * 11/1983 Creelman D10/106
- D298,517 S * 11/1988 Fontana D10/126
- 6,593,914 B1 * 7/2003 Nuovo et al. 345/169
- D485,553 S * 1/2004 Wang et al. D14/247
- D487,082 S * 2/2004 Wang et al. D14/247
- D488,804 S * 4/2004 Pitt et al. D14/247
- D490,405 S * 5/2004 Nuovo et al. D14/247
- 6,810,271 B1 * 10/2004 Wood et al. 455/566
- D527,015 S * 8/2006 Yang D14/203.7
- D539,258 S * 3/2007 Wang et al. D14/138 AA
- D562,300 S * 2/2008 Marry et al. D14/138 AA
- D563,372 S * 3/2008 Park D14/138 AA
- D574,373 S * 8/2008 Tang D14/247
- D582,880 S * 12/2008 Kim et al. D14/138 AA
- D583,855 S * 12/2008 Oas D18/7

- D593,550 S * 6/2009 Bernstein et al. D14/247
- D594,005 S * 6/2009 Shi et al. D14/341
- D603,853 S * 11/2009 Lee D14/247
- 2002/0130845 A1 * 9/2002 Abe 345/169
- 2003/0020694 A1 * 1/2003 Kim et al. 345/169

(Continued)

FOREIGN PATENT DOCUMENTS

WO DM/056217 * 5/2001

(Continued)

OTHER PUBLICATIONS

Nokia 7610, announced Mar. 2004, [online], [retrieved on May 29, 2009]. Retrieved from Internet ,<URL: <http://www.gsmarena.com>>.*

(Continued)

Primary Examiner—Jeffrey D Asch
Assistant Examiner—Bridget L Eland
(74) *Attorney, Agent, or Firm*—Steven M. Reiss

(57) **CLAIM**

The ornamental design for a keypad, as shown and described.

DESCRIPTION

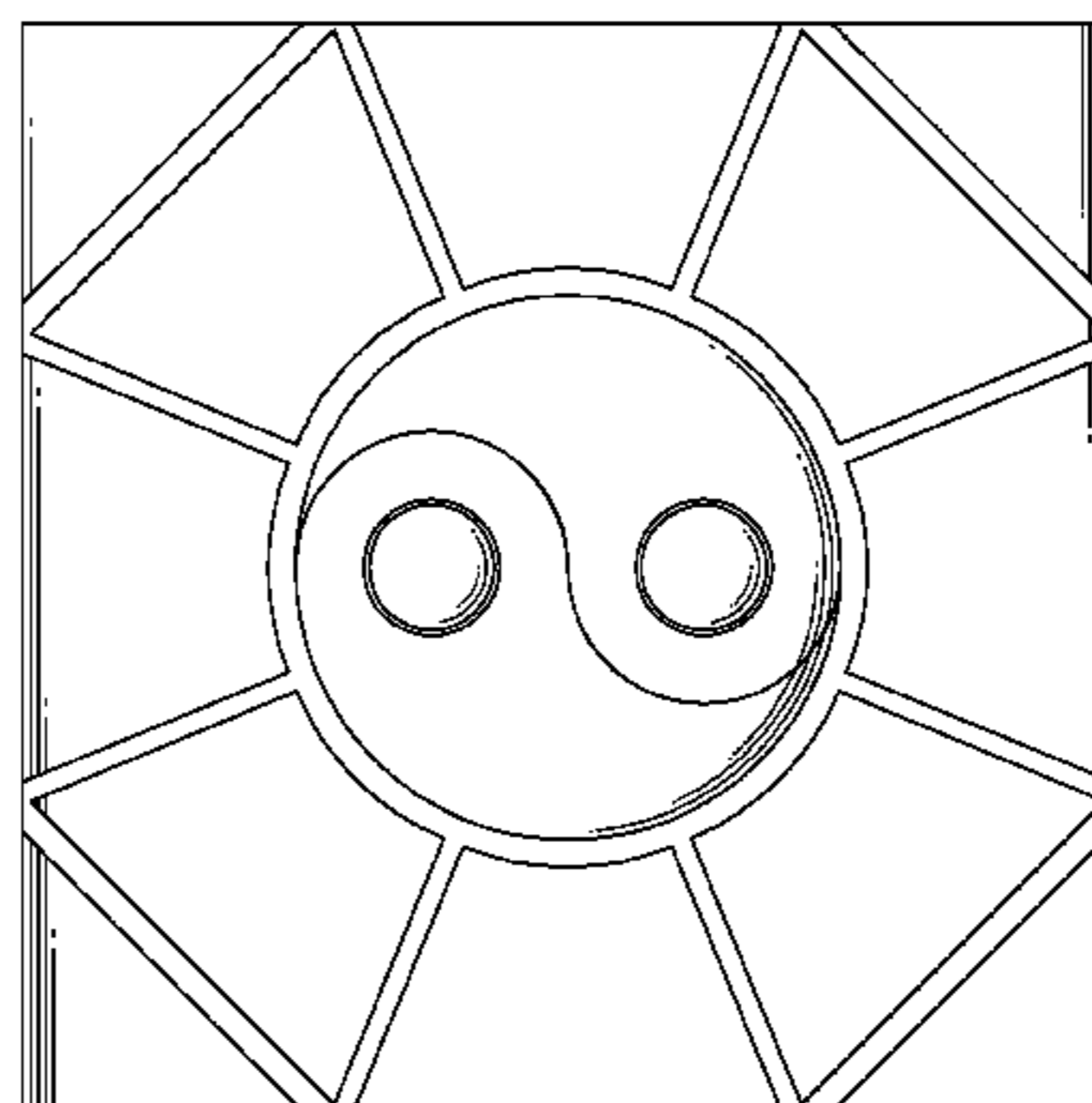
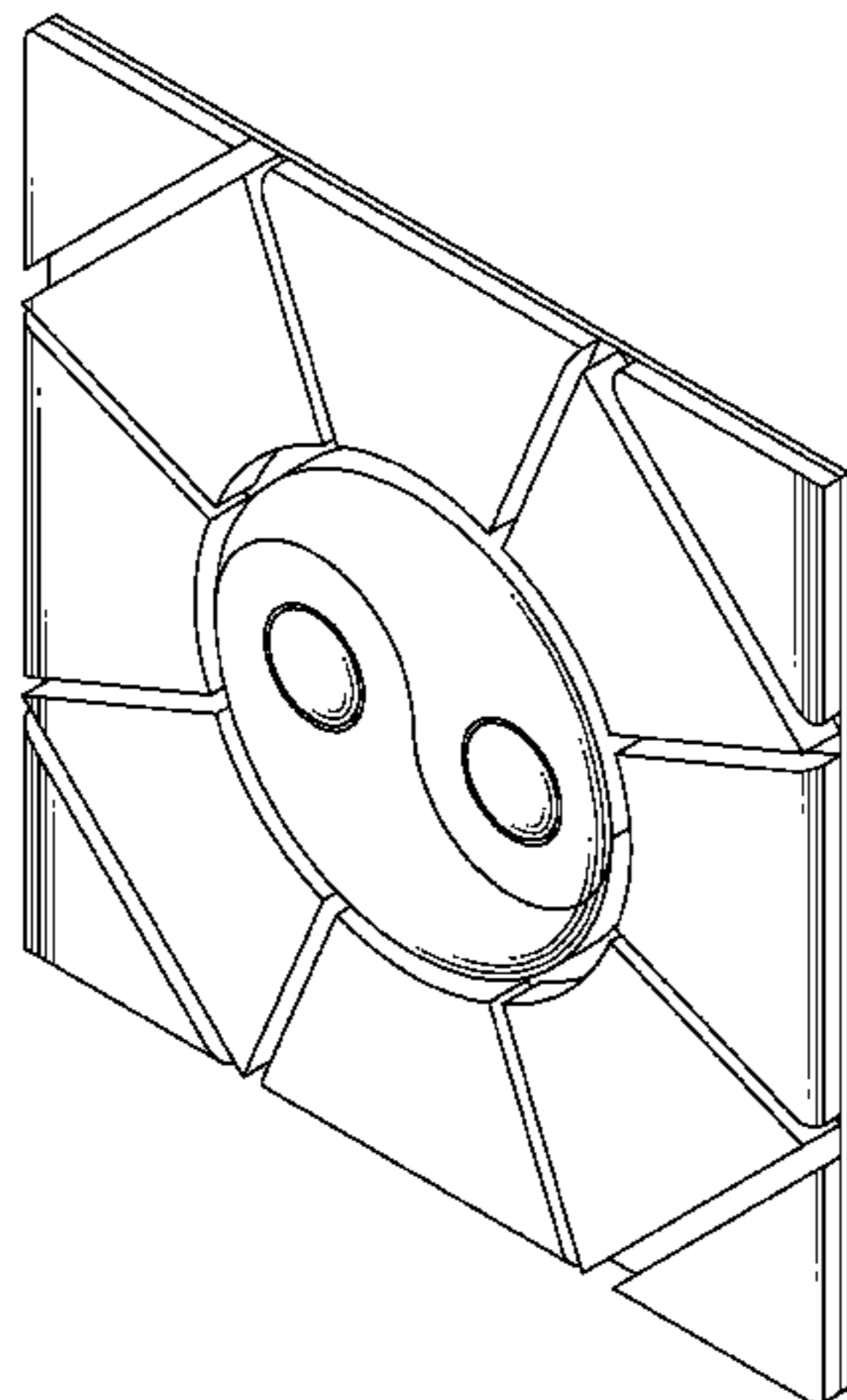
FIG. 1 is a perspective view of a keypad showing my new design;

FIG. 2 is a front elevational view thereof; and,

FIG. 3 is a perspective view of the keypad used on a mobile phone.

The broken line showing of a mobile phone in FIG. 3 is for the purpose of illustrating environment and forms no part of the claimed design.

1 Claim, 3 Drawing Sheets



US D616,427 S

Page 2

U.S. PATENT DOCUMENTS

2004/0196265 A1* 10/2004 Nohr 345/169
2004/0209641 A1* 10/2004 Hong 455/550.1
2005/0136995 A1* 6/2005 Robertson, Jr. 455/575.1
2005/0136996 A1* 6/2005 Robertson, Jr. 455/575.1
2009/0189864 A1* 7/2009 Walker et al. 345/169
2009/0195510 A1* 8/2009 Saunders 345/169
2009/0237403 A1* 9/2009 Horii et al. 345/427

FOREIGN PATENT DOCUMENTS

WO DM/058860 * 8/2001

WO DM/061921 * 11/2002

OTHER PUBLICATIONS

Samsung X810, announced 2nd quarter 2005, [online], [retrieved on Aug. 21, 2007]. Retrieved from Internet ,<URL: <http://www.gsmarena.com>>.*
Alcatel OT-E260, announced 1st quarter 2006, [online], [retrieved on Feb. 16, 2007]. Retrieved from Internet ,<URL: <http://www.gsmarena.com>>.*
Pantech PG-3600V, announced Feb. 2006, [online], [retrieved on Feb. 20, 2007]. Retrieved from Internet ,<URL: <http://www.gsmarena.com>>.*

* cited by examiner

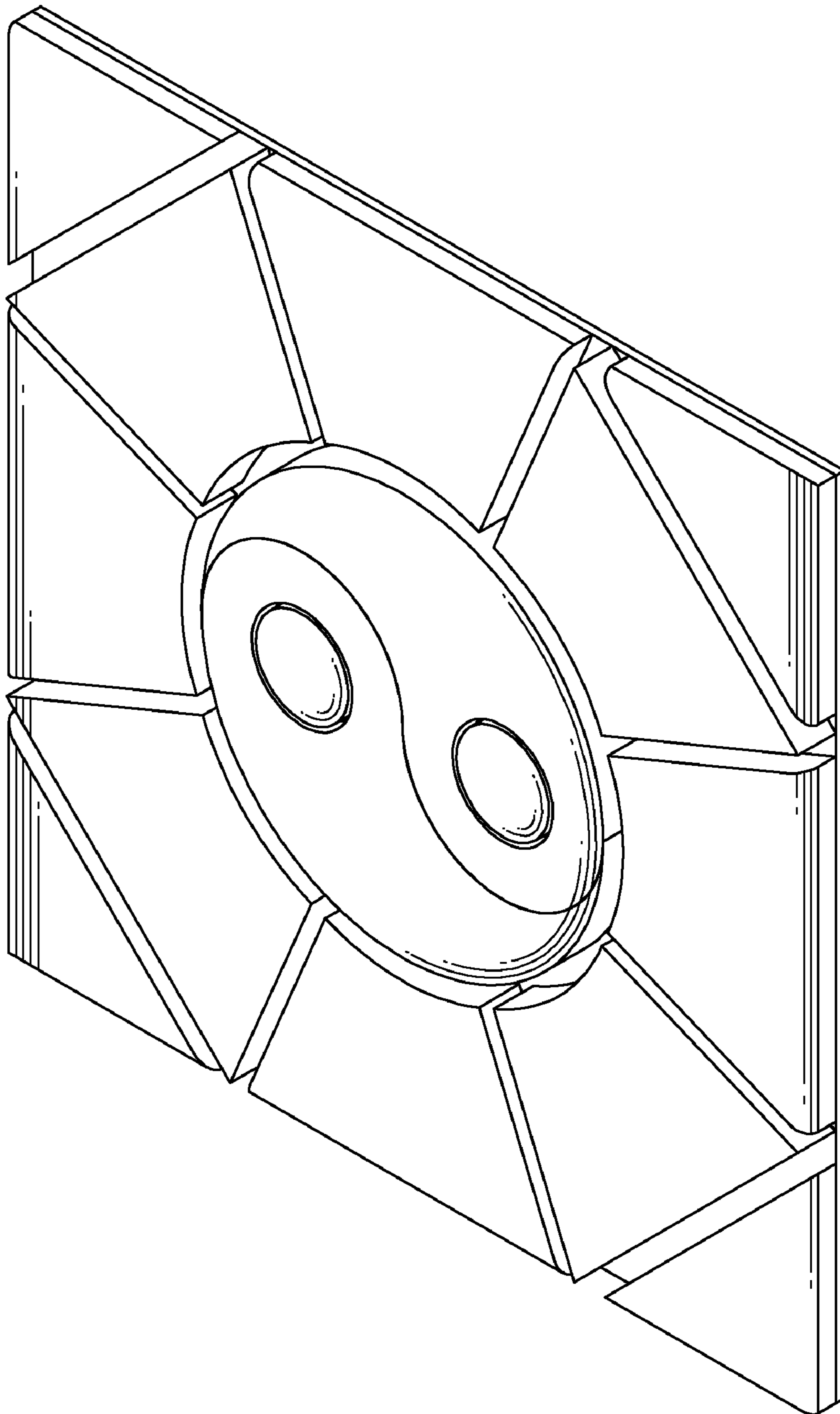


FIG. 1

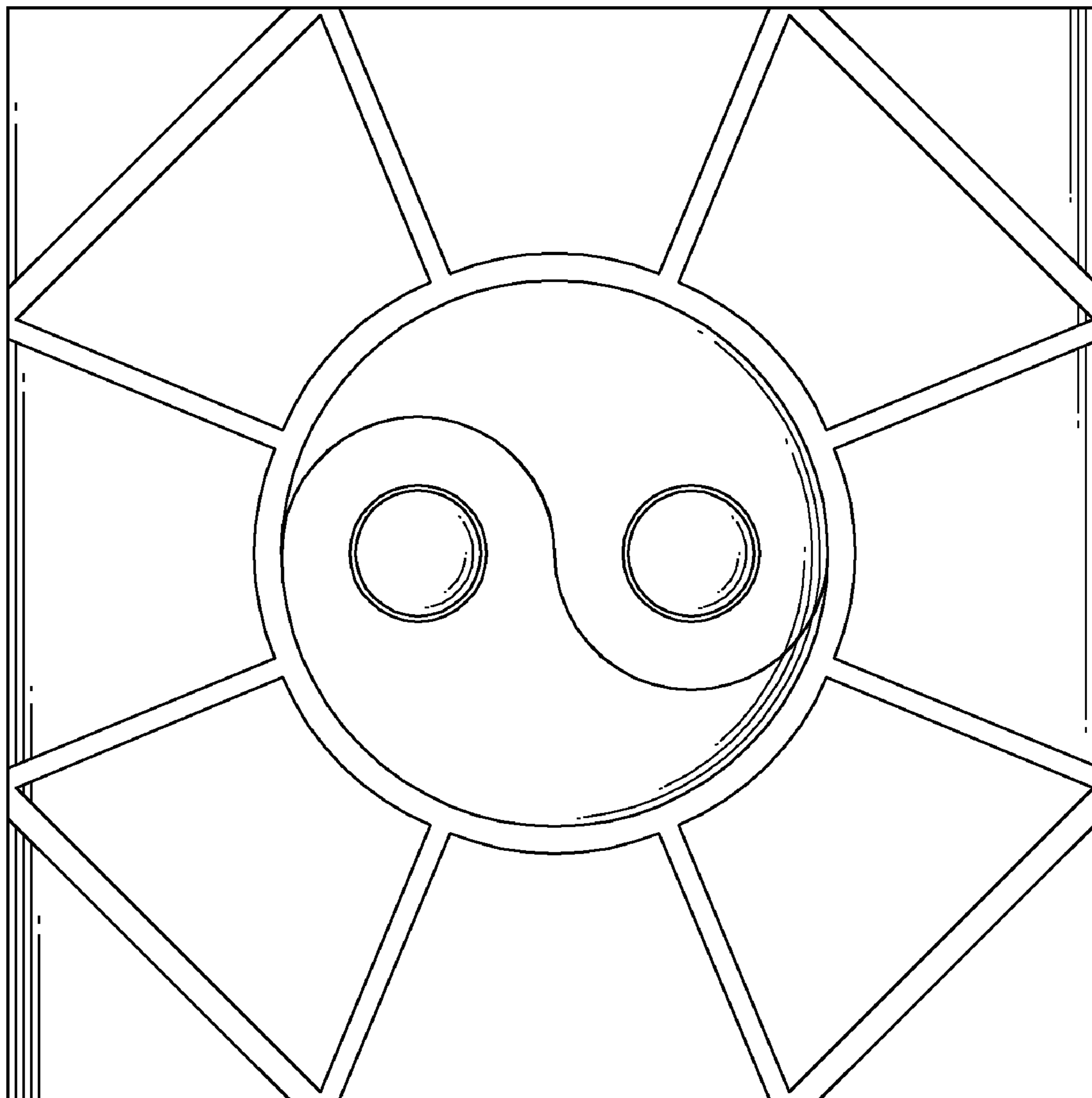


FIG. 2

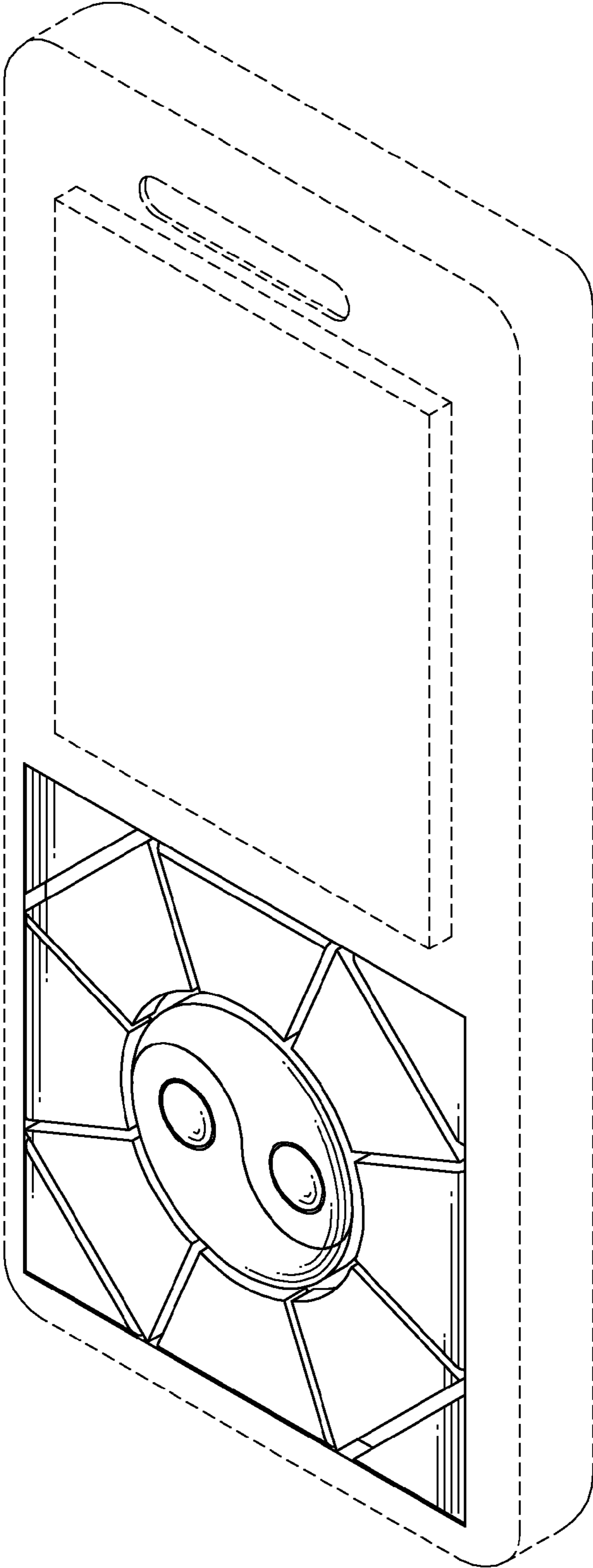


FIG. 3