



US00D616426S

(12) **United States Design Patent**
Ju et al.

(10) **Patent No.:** **US D616,426 S**
(45) **Date of Patent:** **** May 25, 2010**

(54) **WIRELESS CDMA REPEATER FOR HOUSEHOLD PURPOSES**

(75) Inventors: **Tai Hyung Ju**, Seoul (KR); **Kyung Hoon Lee**, Seoul (KR)

(73) Assignee: **Samsung Electronics Co., Ltd.**, Suwon (KR)

(**) Term: **14 Years**

(21) Appl. No.: **29/328,762**

(22) Filed: **Dec. 2, 2008**

(51) **LOC (9) Cl.** **14-03**

(52) **U.S. Cl.** **D14/240**

(58) **Field of Classification Search** D14/240, D14/242, 140, 218, 358; D13/168, 184; 360/69; 379/220.01, 220.02, 25, 93.09, 93.15, 379/93.14, 156, 900; 455/550.1, 557
See application file for complete search history.

(56) **References Cited**

U.S. PATENT DOCUMENTS

- D363,722 S * 10/1995 Aldridge et al. D14/242
- D471,543 S * 3/2003 Yang et al. D14/240
- D484,497 S * 12/2003 Alviar et al. D14/240
- D520,500 S * 5/2006 Storti et al. D14/240
- D523,854 S * 6/2006 Rinna et al. D14/358
- D529,903 S * 10/2006 McRae et al. D14/240
- D530,315 S * 10/2006 Liu D14/240

- D549,697 S * 8/2007 Jeon et al. D14/240
- D562,813 S * 2/2008 Storti et al. D14/240
- D579,931 S * 11/2008 Chang D14/358
- D580,422 S * 11/2008 Lee D14/240
- D586,339 S * 2/2009 Varsavsky
Waisman-Diamond D14/240
- D592,647 S * 5/2009 L'Henaff et al. D14/240

* cited by examiner

Primary Examiner—Charles A Rademaker

(74) *Attorney, Agent, or Firm*—Ladas & Parry LLP

(57) **CLAIM**

We claim, the ornamental design for a wireless CDMA repeater for household purposes, as shown and described.

DESCRIPTION

FIG. 1 is a front, left and top perspective view of a wireless CDMA repeater for household purposes showing our new design;

FIG. 2 is a front-side elevational view thereof;

FIG. 3 is a rear-side elevational view thereof;

FIG. 4 is a left-side elevational view thereof;

FIG. 5 is a right-side elevational view thereof;

FIG. 6 is a top plan view thereof; and,

FIG. 7 is a bottom plan view thereof with broken lines used to illustrate structural environment which form part of the claimed design.

1 Claim, 7 Drawing Sheets

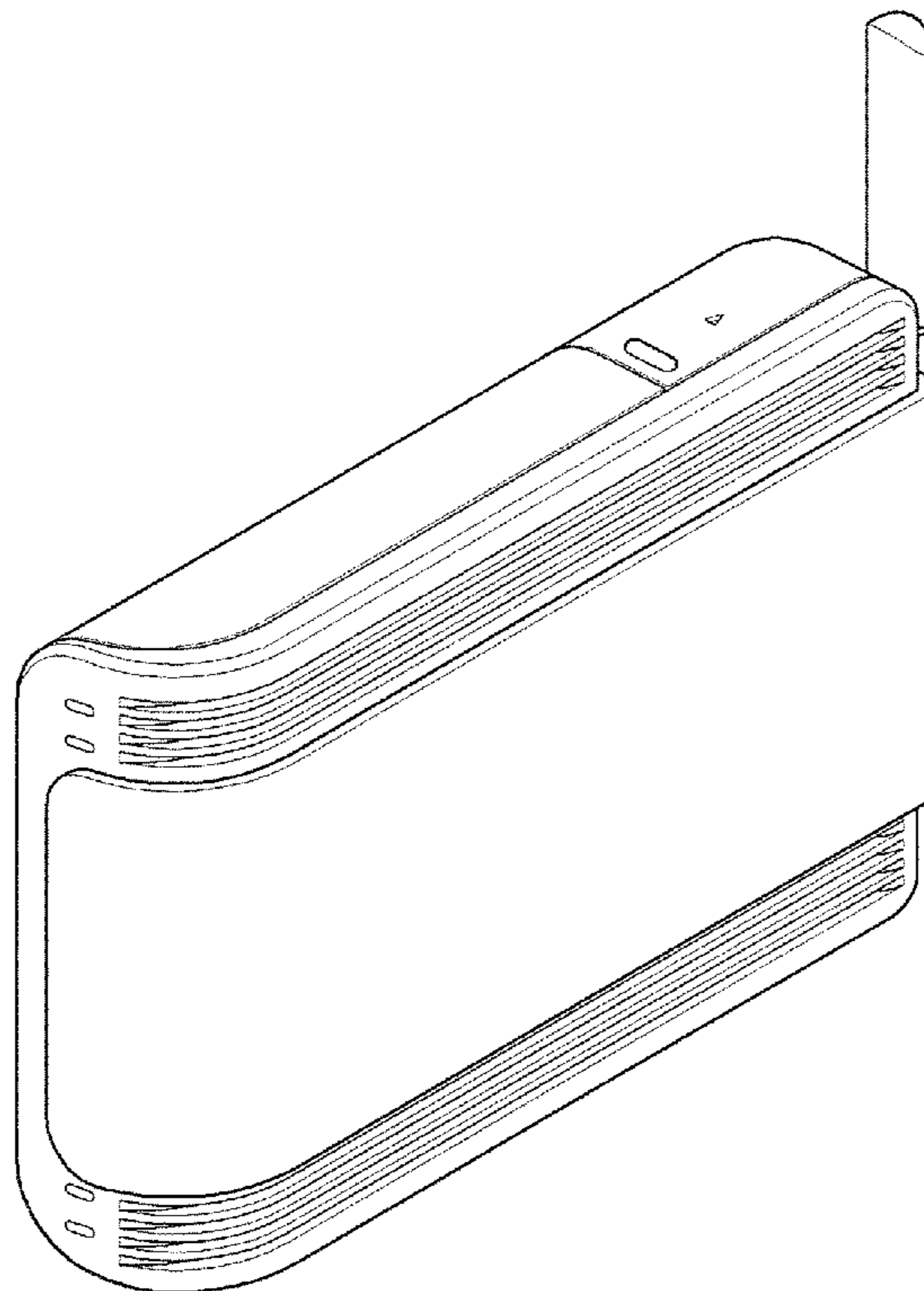


FIG. 1

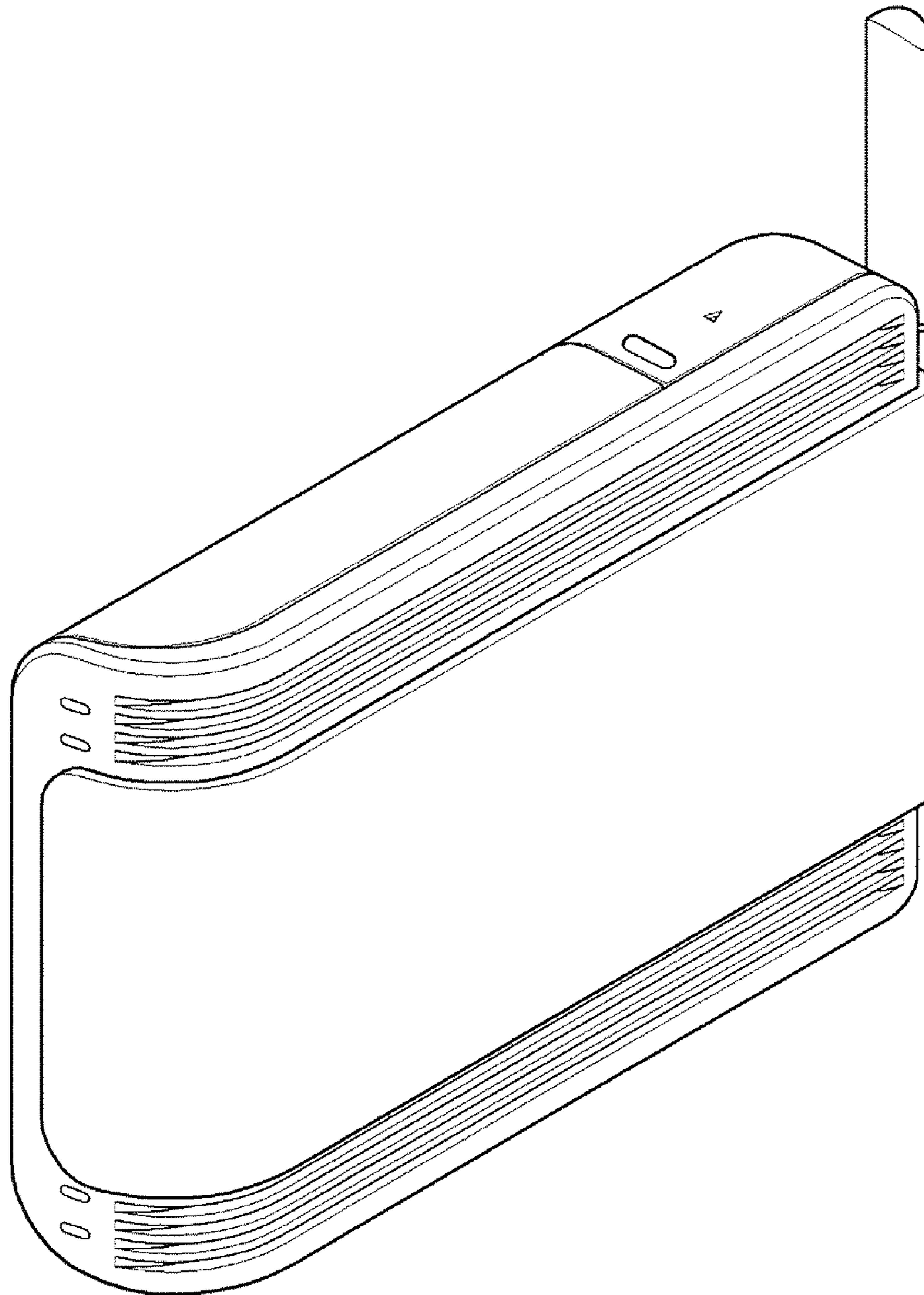


FIG. 2

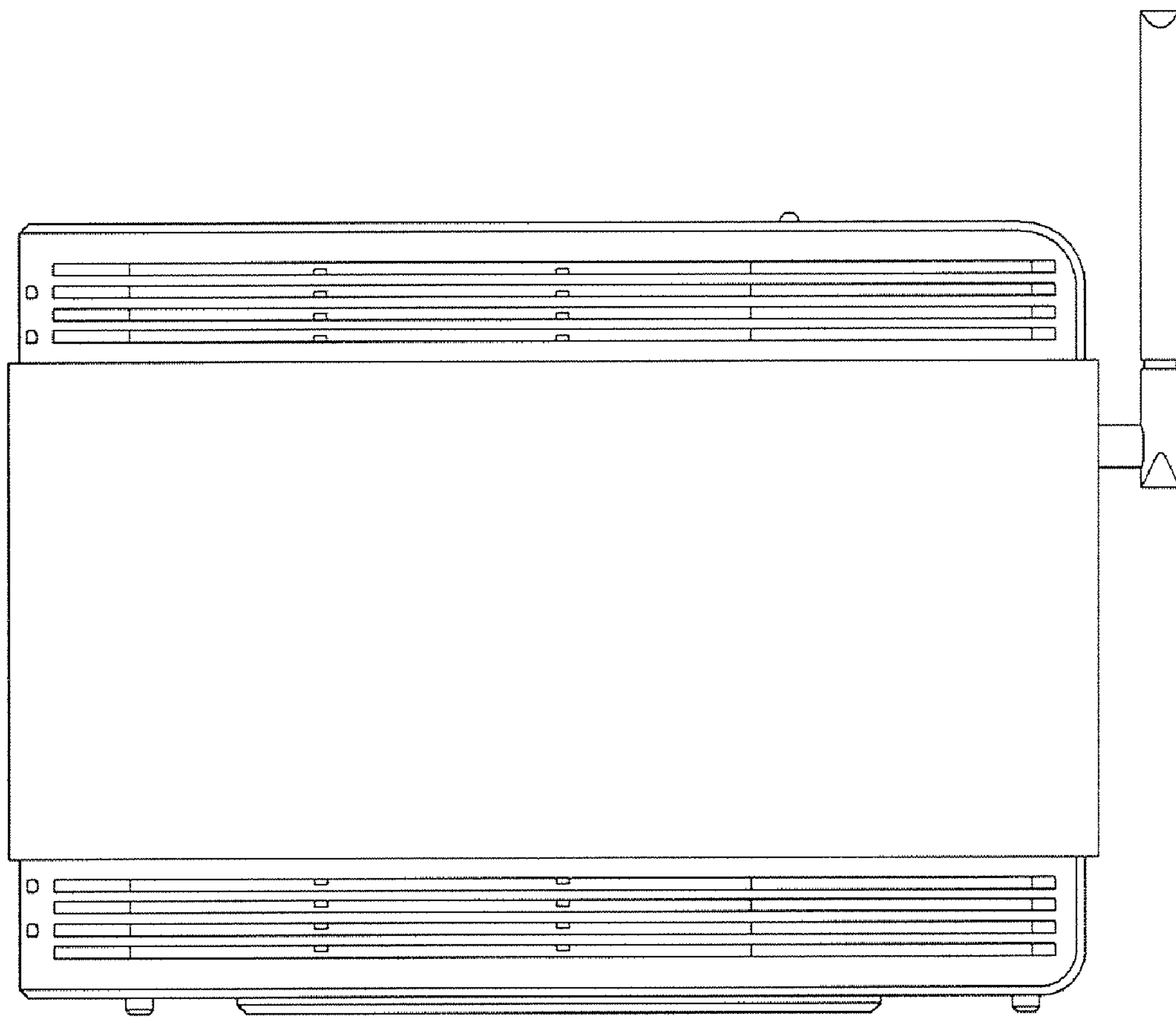


FIG. 3

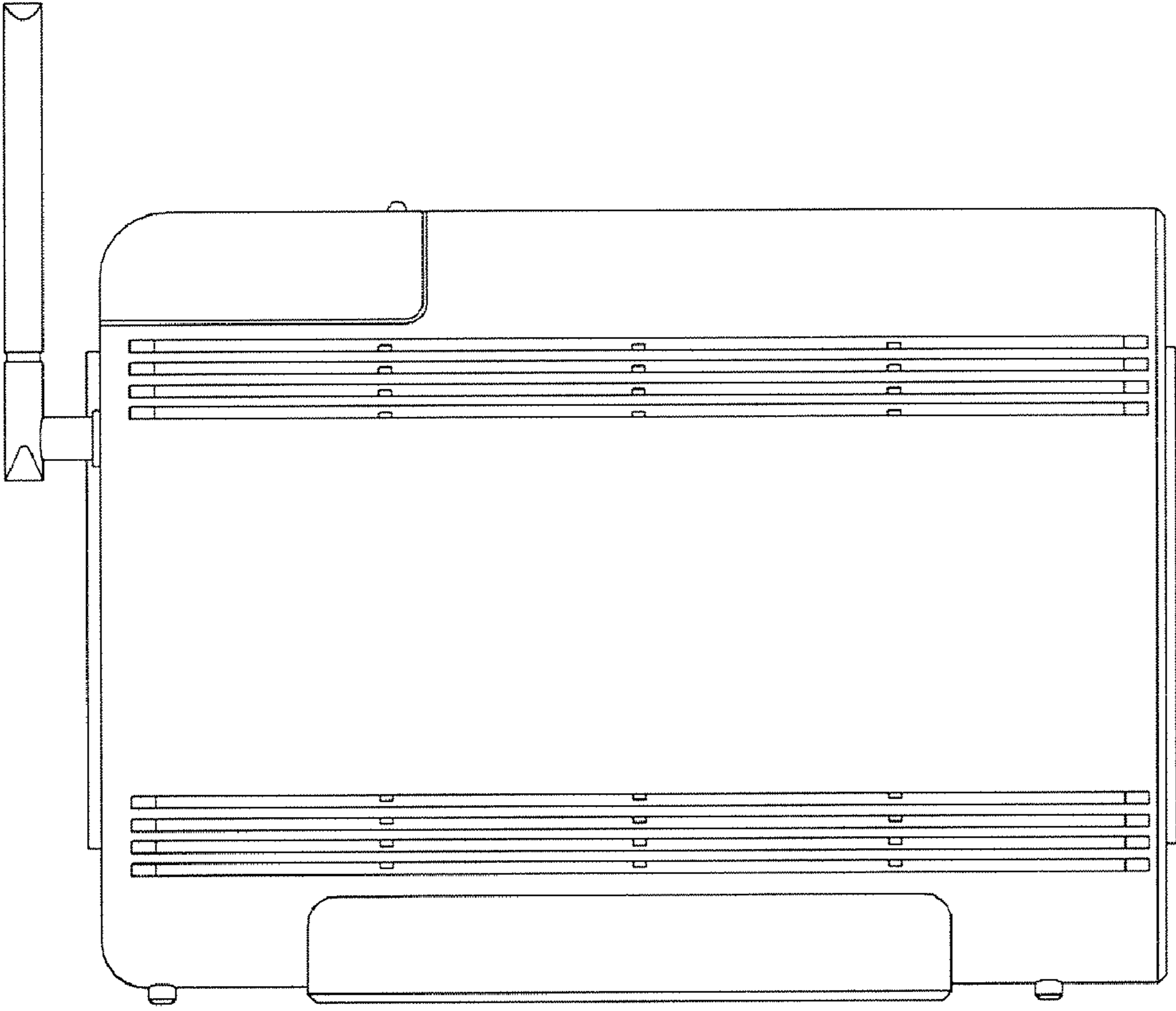


FIG. 4

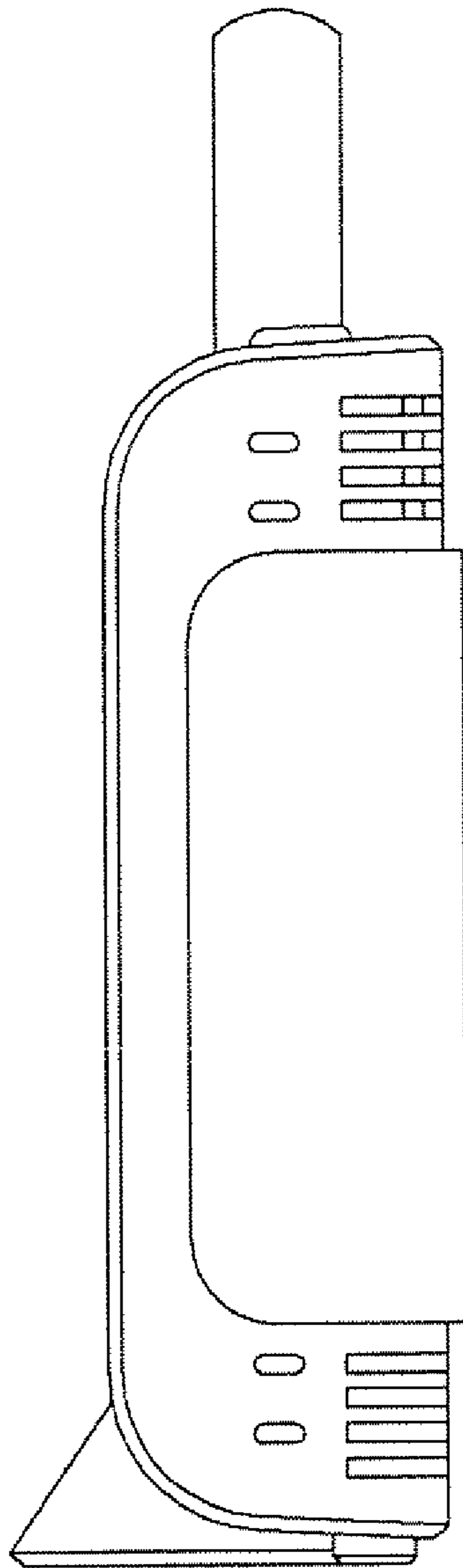


FIG. 5

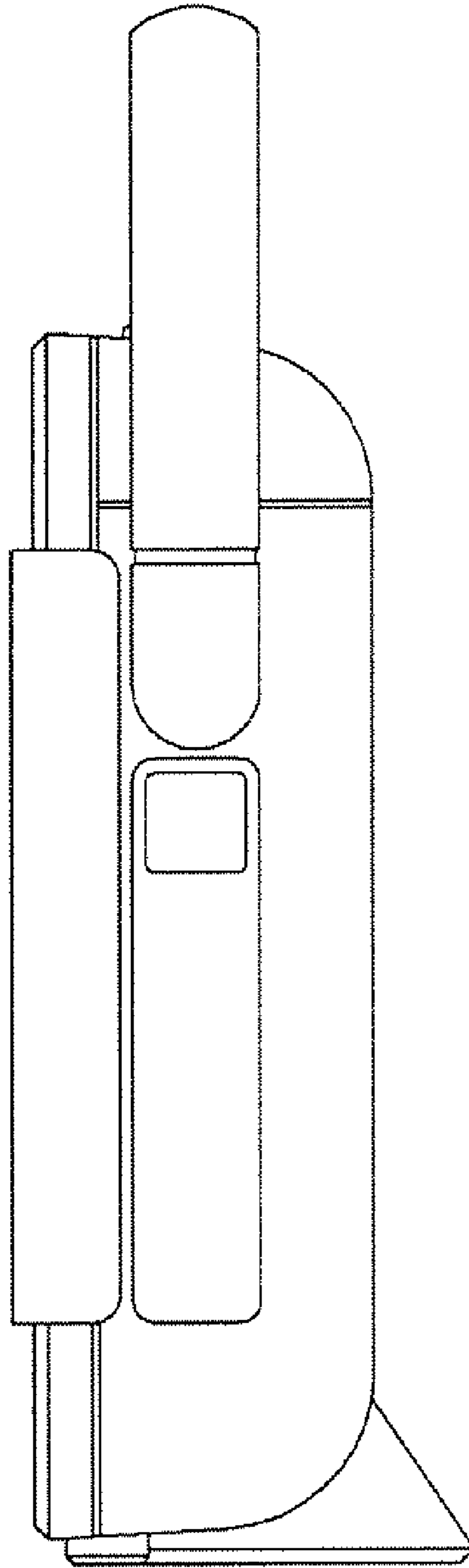


FIG. 6

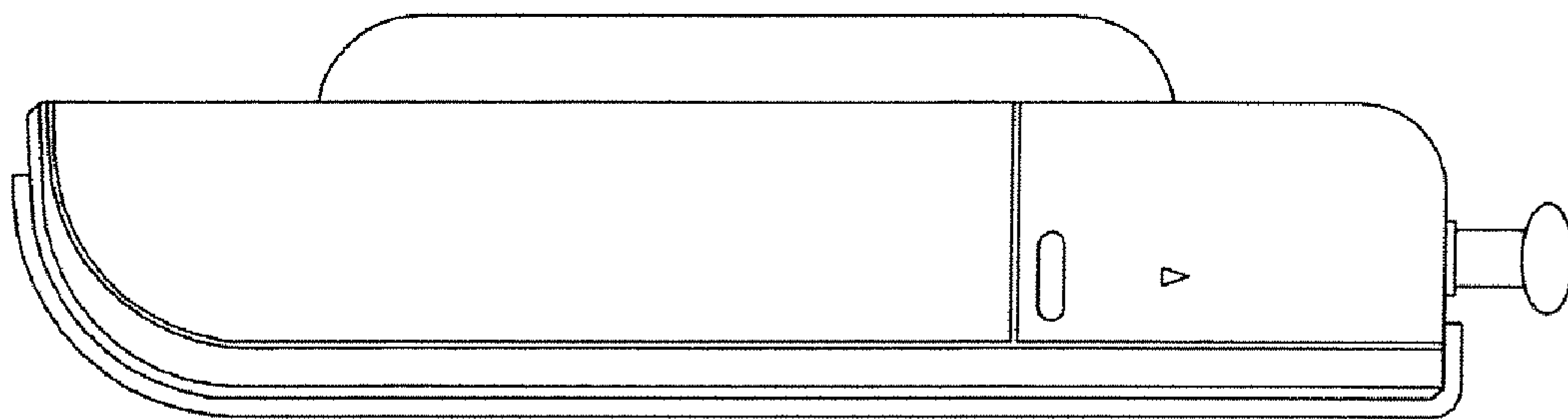


FIG. 7

