



US00D616425S

(12) **United States Design Patent**  
**Hsia**

(10) **Patent No.:** **US D616,425 S**

(45) **Date of Patent:** **\*\* May 25, 2010**

(54) **WIRELESS RECEIVER FOR SECURITY CAMERA**

(75) Inventor: **Chorng-Guang Hsia**, Saratoga, CA (US)

(73) Assignee: **Team Research, Inc.**, San Jose, CA (US)

(\*\*) Term: **14 Years**

(21) Appl. No.: **29/327,326**

(22) Filed: **Nov. 4, 2008**

(51) **LOC (9) Cl.** ..... **14-03**

(52) **U.S. Cl.** ..... **D14/240; D16/237**

(58) **Field of Classification Search** ..... D16/237;  
D13/133; D14/133, 240, 484.1, 480.6, 435.1,  
D14/358, 374, 242, 361-363, 365-367, 433;  
361/757; 439/131, 159, 501, 528, 623, 652,  
439/654; 379/220.1, 25, 93.09, 93.15, 93.14,  
379/156, 424; 451/550.1, 557

See application file for complete search history.

(56) **References Cited**

U.S. PATENT DOCUMENTS

D409,203	S	*	5/1999	Morimiya	.....	D14/242
D452,233	S	*	12/2001	Kubik et al.	.....	D14/242
D464,959	S	*	10/2002	Do et al.	.....	D14/242
D471,543	S	*	3/2003	Yang et al.	.....	D14/240
D484,496	S	*	12/2003	Watanabe	.....	D14/240
D484,497	S	*	12/2003	Alviar et al.	.....	D14/240

D489,720	S	*	5/2004	Sasaki	.....	D14/358
D490,403	S	*	5/2004	Wu et al.	.....	D14/240
D490,404	S	*	5/2004	Chan	.....	D14/240
D494,156	S	*	8/2004	Chen et al.	.....	D14/240
D500,756	S	*	1/2005	Liang	.....	D14/242
D520,503	S	*	5/2006	Shimizu	.....	D14/358
D580,423	S	*	11/2008	Ju	.....	D14/240
D602,020	S	*	10/2009	Haspil et al.	.....	D14/358
D610,133	S	*	2/2010	Asano	.....	D14/240

\* cited by examiner

*Primary Examiner*—Charles A Rademaker

(74) *Attorney, Agent, or Firm*—Roger H. Chu

(57) **CLAIM**

The ornamental design of a wireless receiver for security camera, as shown and described.

**DESCRIPTION**

FIG. 1 is a perspective view of a wireless receiver for security camera showing my new design;

FIG. 2 is another perspective view thereof;

FIG. 3 is a left elevation view thereof, the right side being a mirror image;

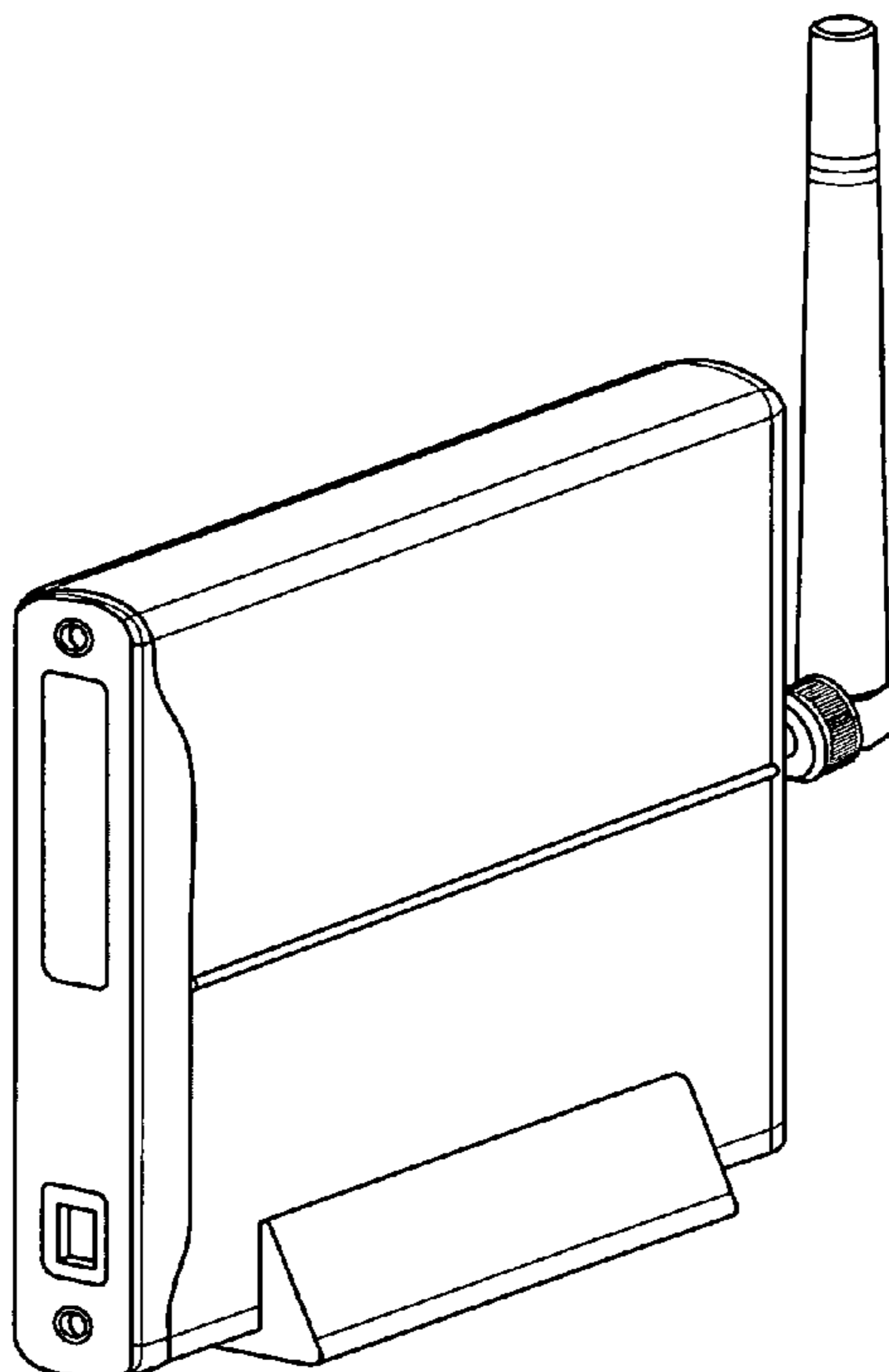
FIG. 4 is a rear elevation view thereof;

FIG. 5 is a front elevation view thereof;

FIG. 6 is a top plan view thereof; and,

FIG. 7 is a bottom plan view thereof.

**1 Claim, 6 Drawing Sheets**



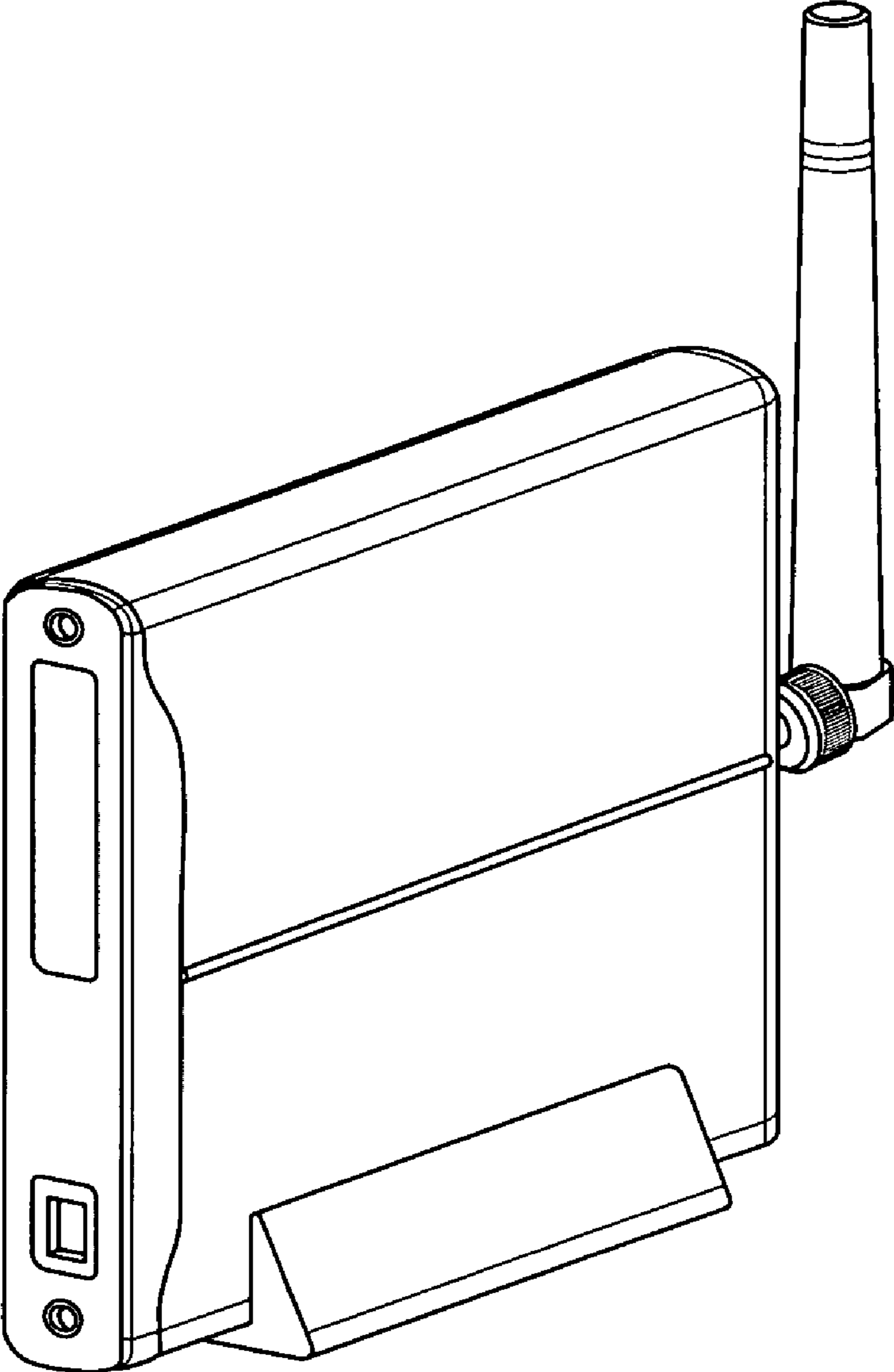


FIG. 1

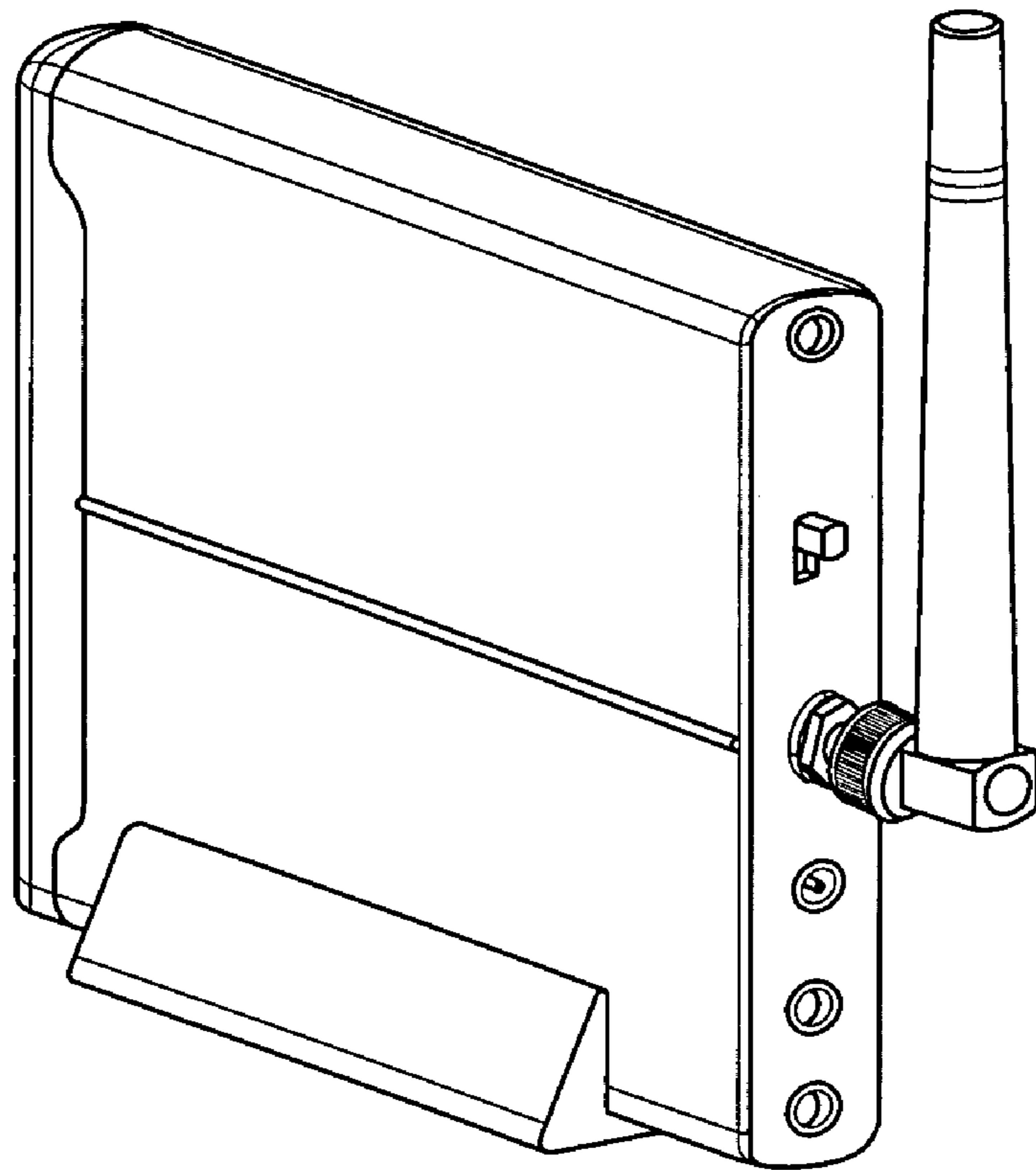


FIG. 2

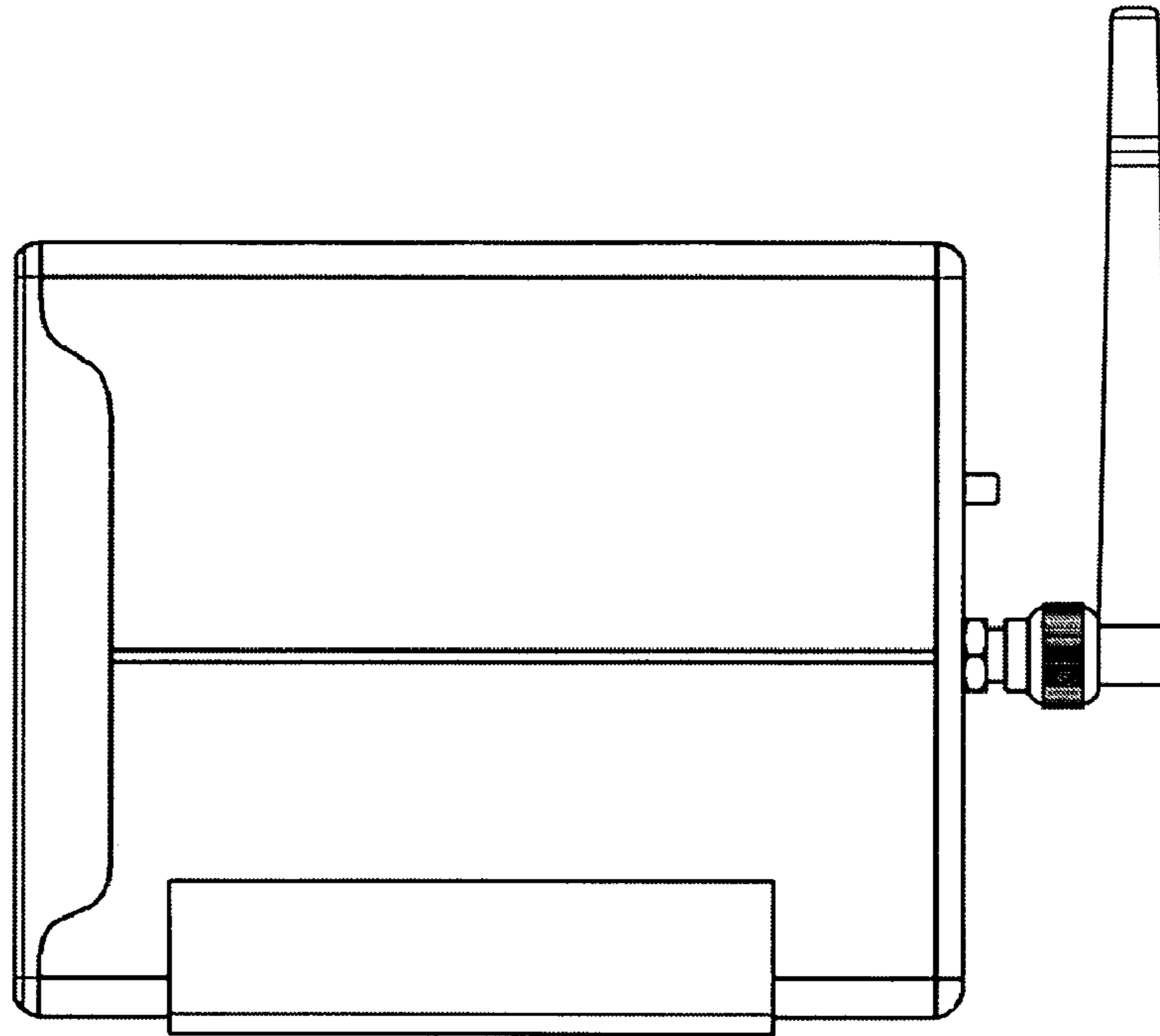


FIG. 3

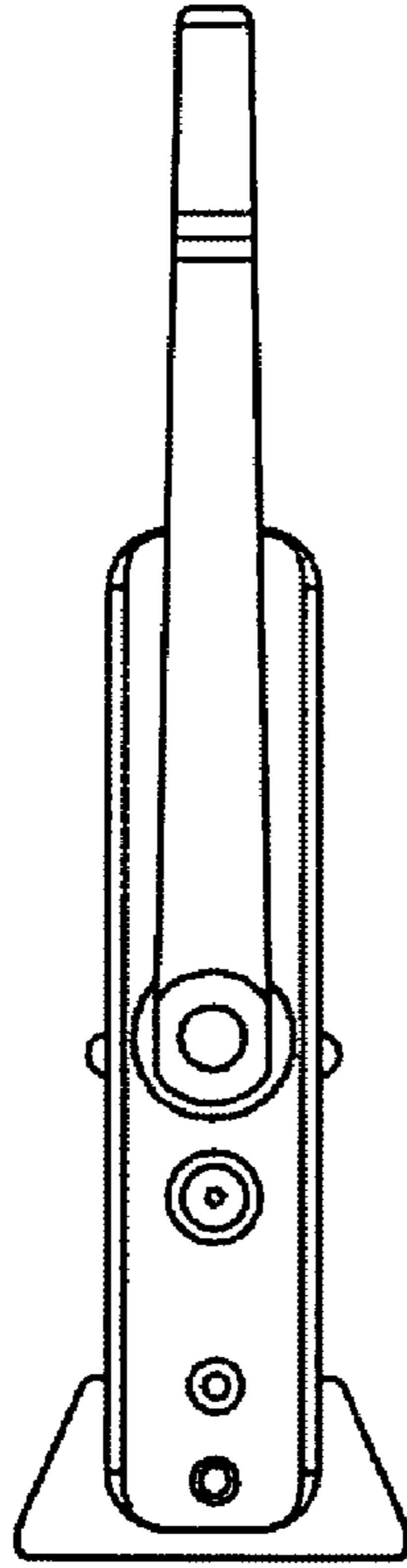


FIG. 4

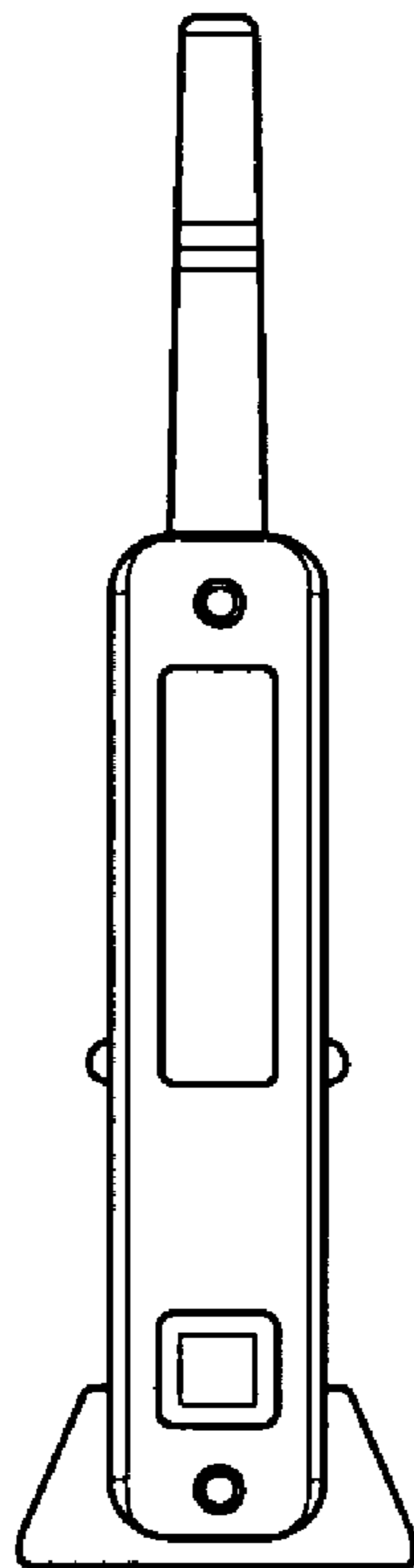


FIG. 5

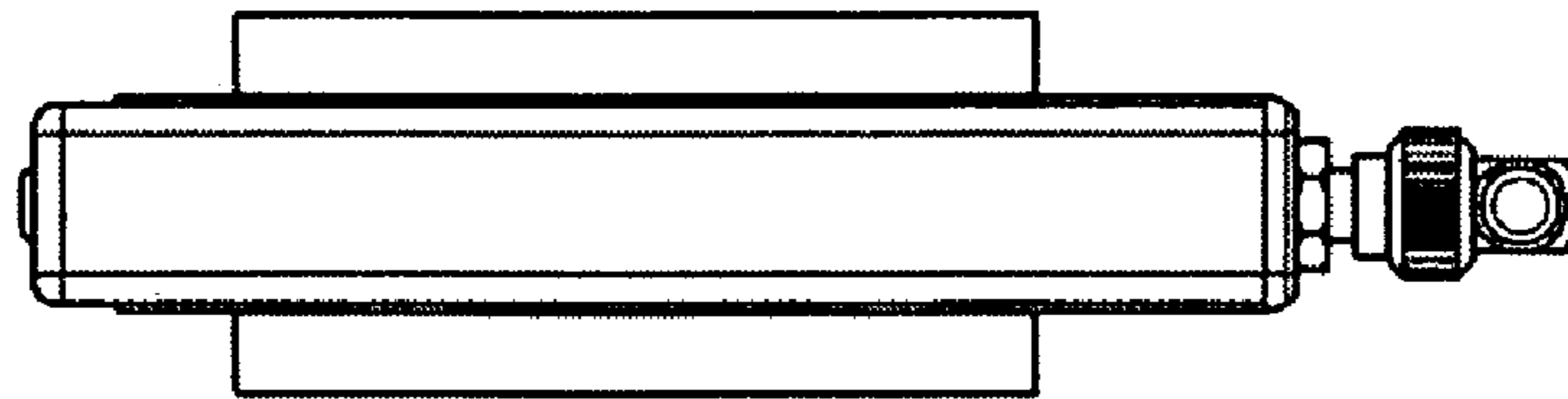


FIG. 6

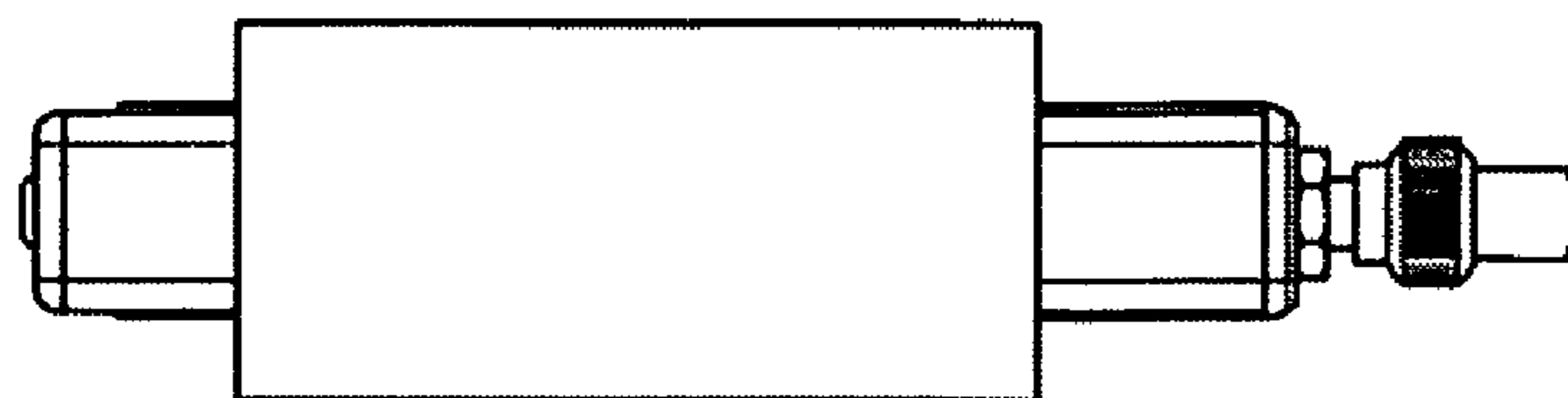


FIG. 7