



US00D616424S

(12) **United States Design Patent**
Li

(10) **Patent No.:** **US D616,424 S**

(45) **Date of Patent:** **** May 25, 2010**

(54) **BASE STAND FOR DISPLAY**

(75) Inventor: **Yuan-Fu Li**, Taipei County (TW)

(73) Assignee: **AmTran Technology Co., Ltd**, Taipei County (TW)

(**) Term: **14 Years**

(21) Appl. No.: **29/353,269**

(22) Filed: **Jan. 6, 2010**

(51) **LOC (9) Cl.** **14-03**

(52) **U.S. Cl.** **D14/239**

(58) **Field of Classification Search** D14/125-134, D14/239, 371, 136, 374-377; D8/363, 373, D8/349, 394; 248/465, 917-924, 123.11; 348/825, 827, 836, 837, 838, 180, 184, 325, 348/739; 600/443; D6/477-479, 407, 474, D6/460, 461, 468; 312/7.2; 341/12; 345/87, 345/104, 133, 156, 168, 169, 173; 720/605, 720/669, 600, 655; 369/99, 197; 455/344-347; 349/1, 2, 11, 62; 108/59, 91, 92, 96; 211/40, 211/41.12, 42, 49.1, 50, 85.2, 90.04, 187, 211/190, 119.003, 134.153, 87.01, 71.01
See application file for complete search history.

(56) **References Cited**

U.S. PATENT DOCUMENTS

D514,568 S * 2/2006 Huang et al. D14/375
D517,549 S * 3/2006 Depay D14/375
D530,327 S * 10/2006 Chen et al. D14/375
D536,310 S * 2/2007 Kao D14/126
D556,756 S * 12/2007 Kataoka et al. D14/375

D581,379 S * 11/2008 Chiu D14/126
D587,226 S * 2/2009 Funayama D14/126
D596,596 S * 7/2009 Honda D14/126
D609,660 S * 2/2010 VanDuyn et al. D14/126
D610,562 S * 2/2010 Chien D14/126

* cited by examiner

Primary Examiner—Raphael Barkai

Assistant Examiner—Randall H Gholson

(74) *Attorney, Agent, or Firm*—Morris, Manning & Martin LLP; Tim Tingkang Xia

(57) **CLAIM**

The ornamental design for a “base stand for display,” is as shown and described.

DESCRIPTION

FIG. 1 is a perspective view of base stand for display showing my new design;

FIG. 2 is a front view thereof;

FIG. 3 is a rear view thereof;

FIG. 4 is a left side elevational view thereof;

FIG. 5 is a right side elevational view thereof;

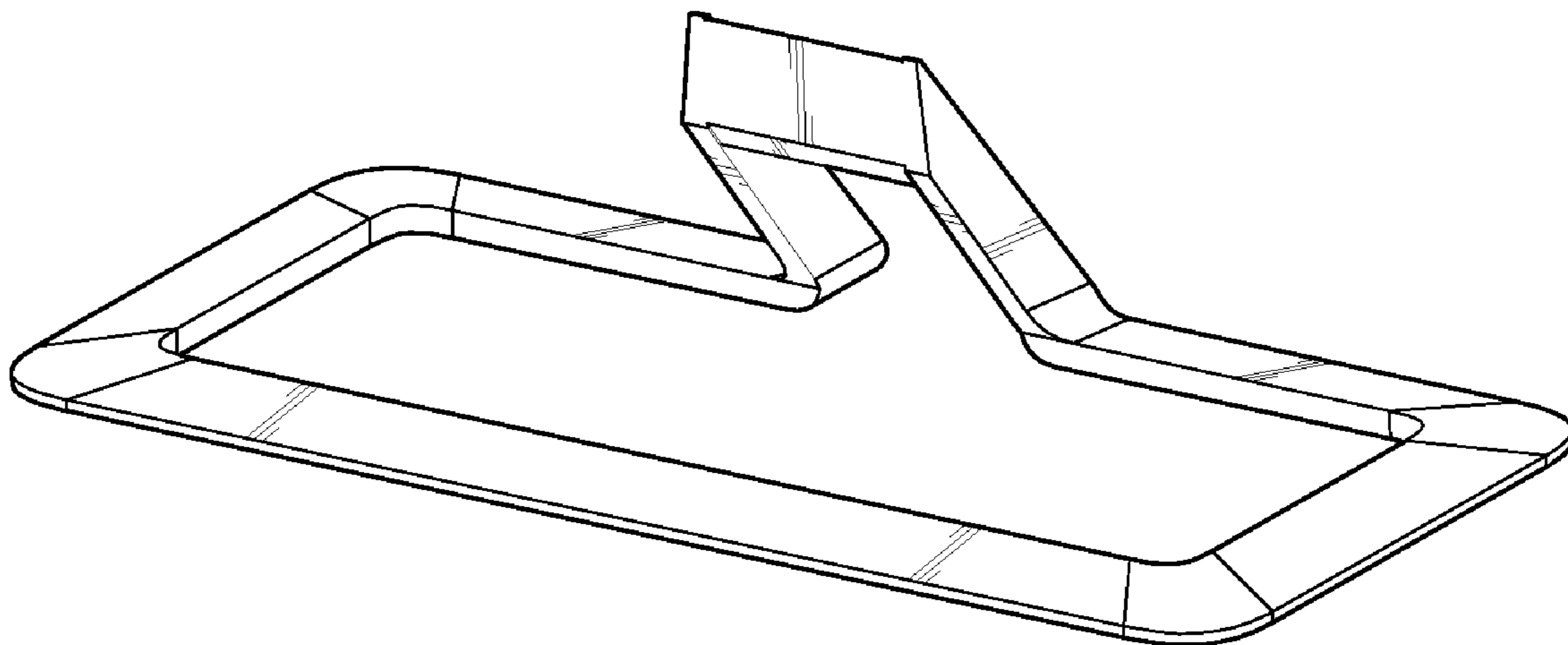
FIG. 6 is a top view thereof;

FIG. 7 is a bottom view thereof; and,

FIG. 8 is another perspective view of the base stand for display showing my new design in an alternative position.

The broken lines shown in FIG. 8 are included for the purpose of illustration only and form no part of the claimed design.

1 Claim, 6 Drawing Sheets



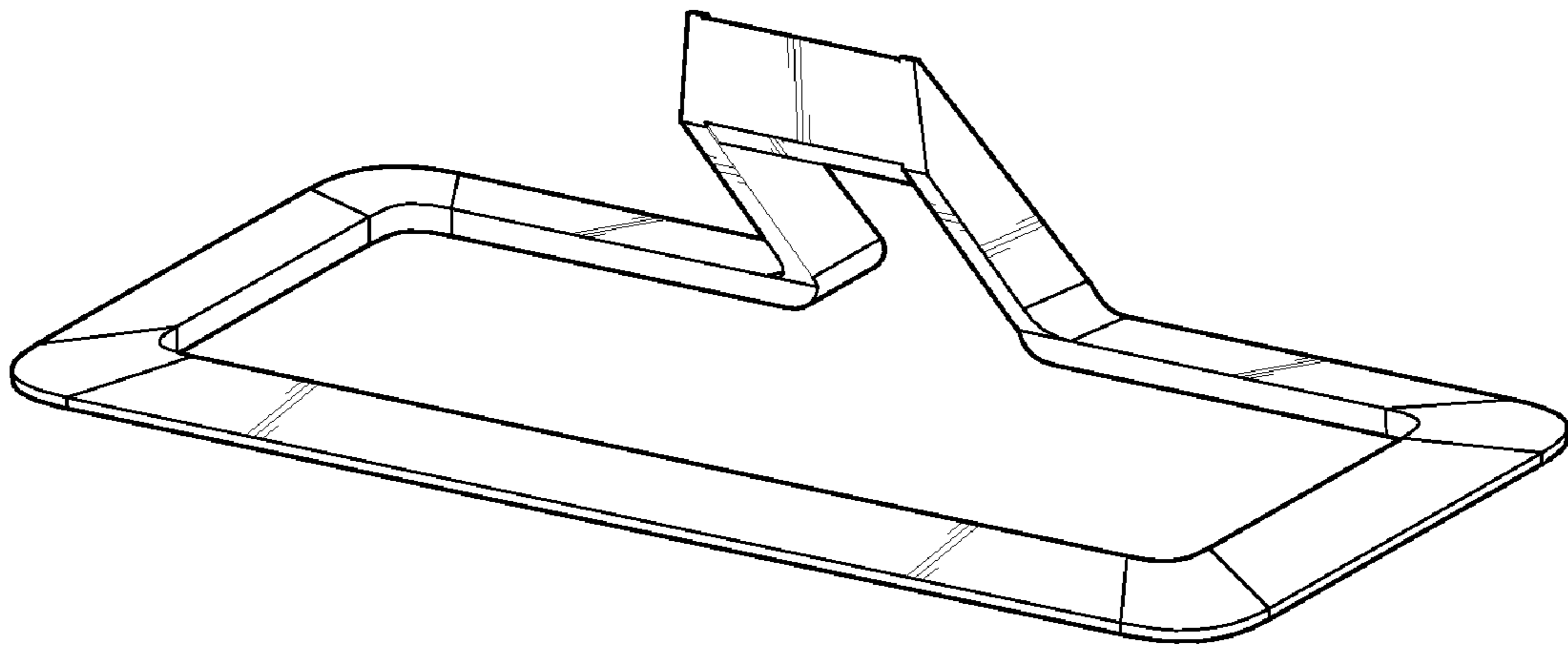


FIG.1

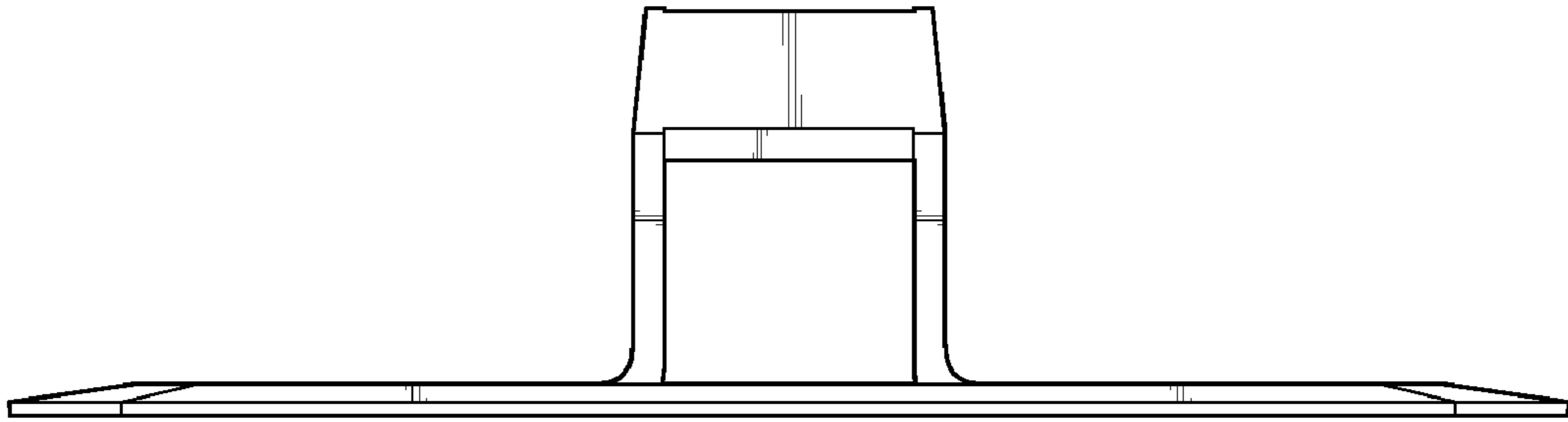


FIG. 2

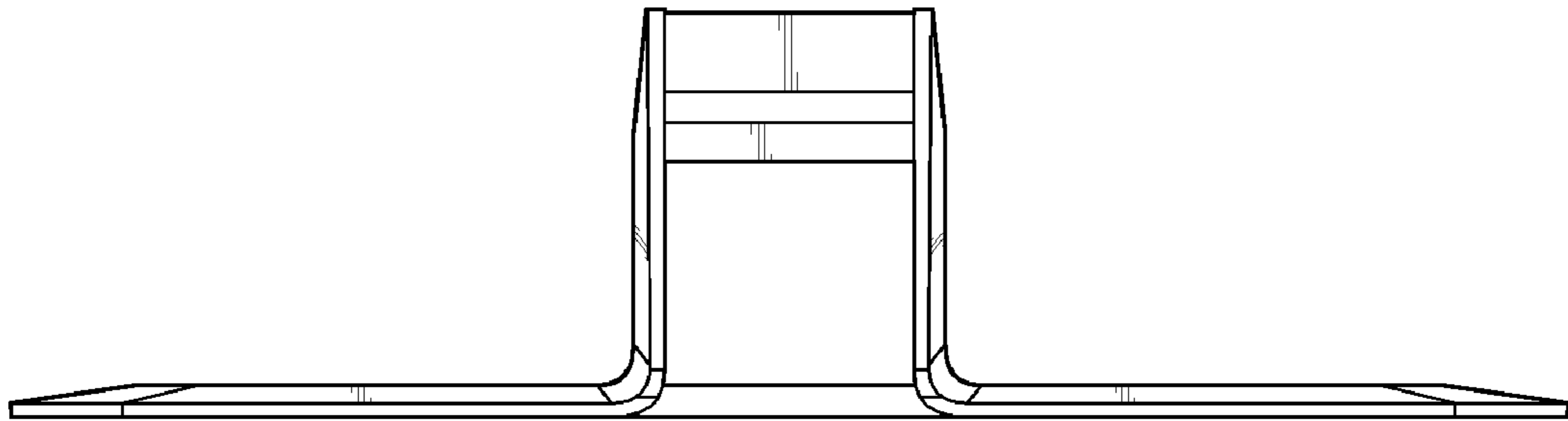


FIG.3

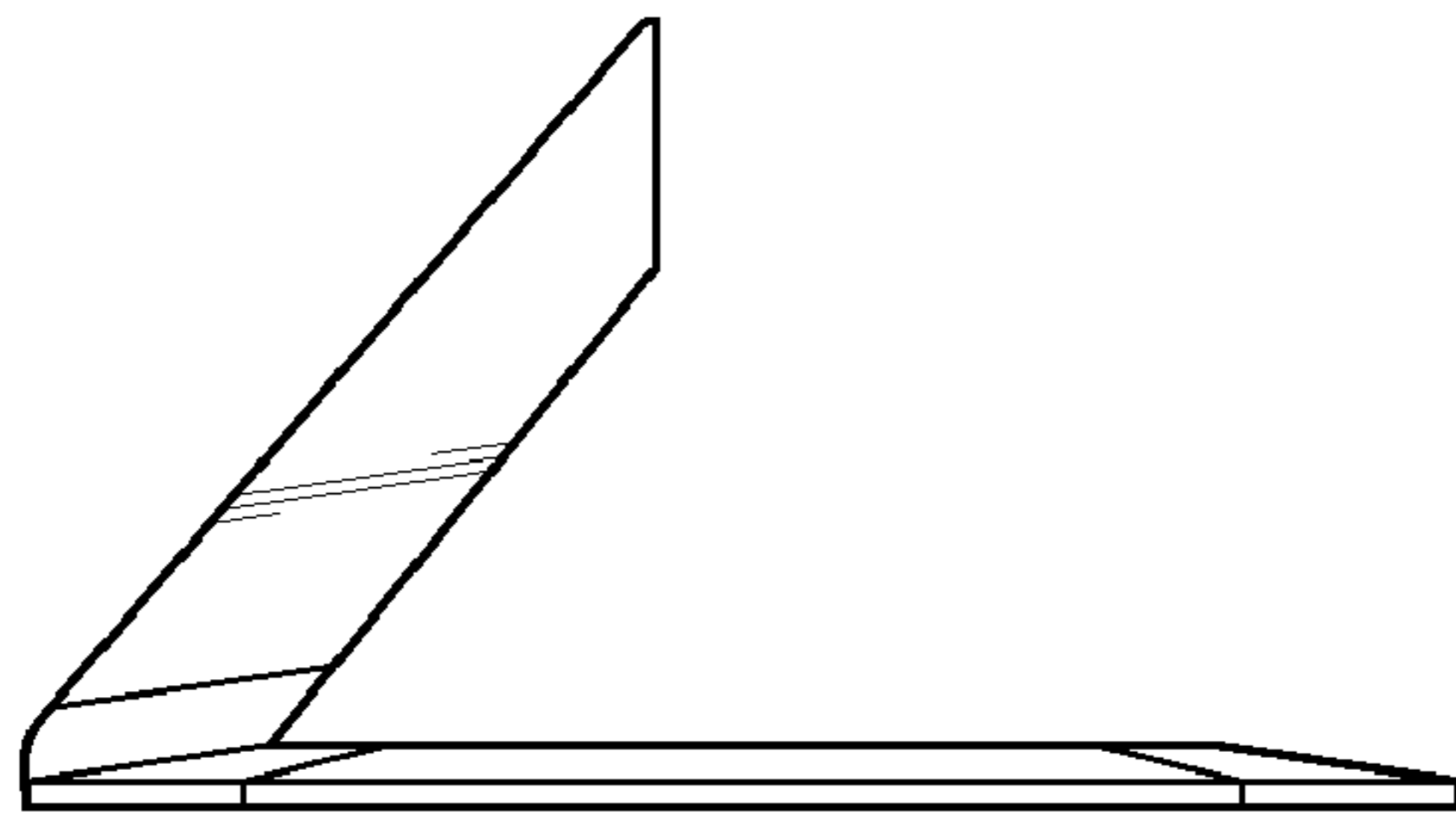


FIG.4

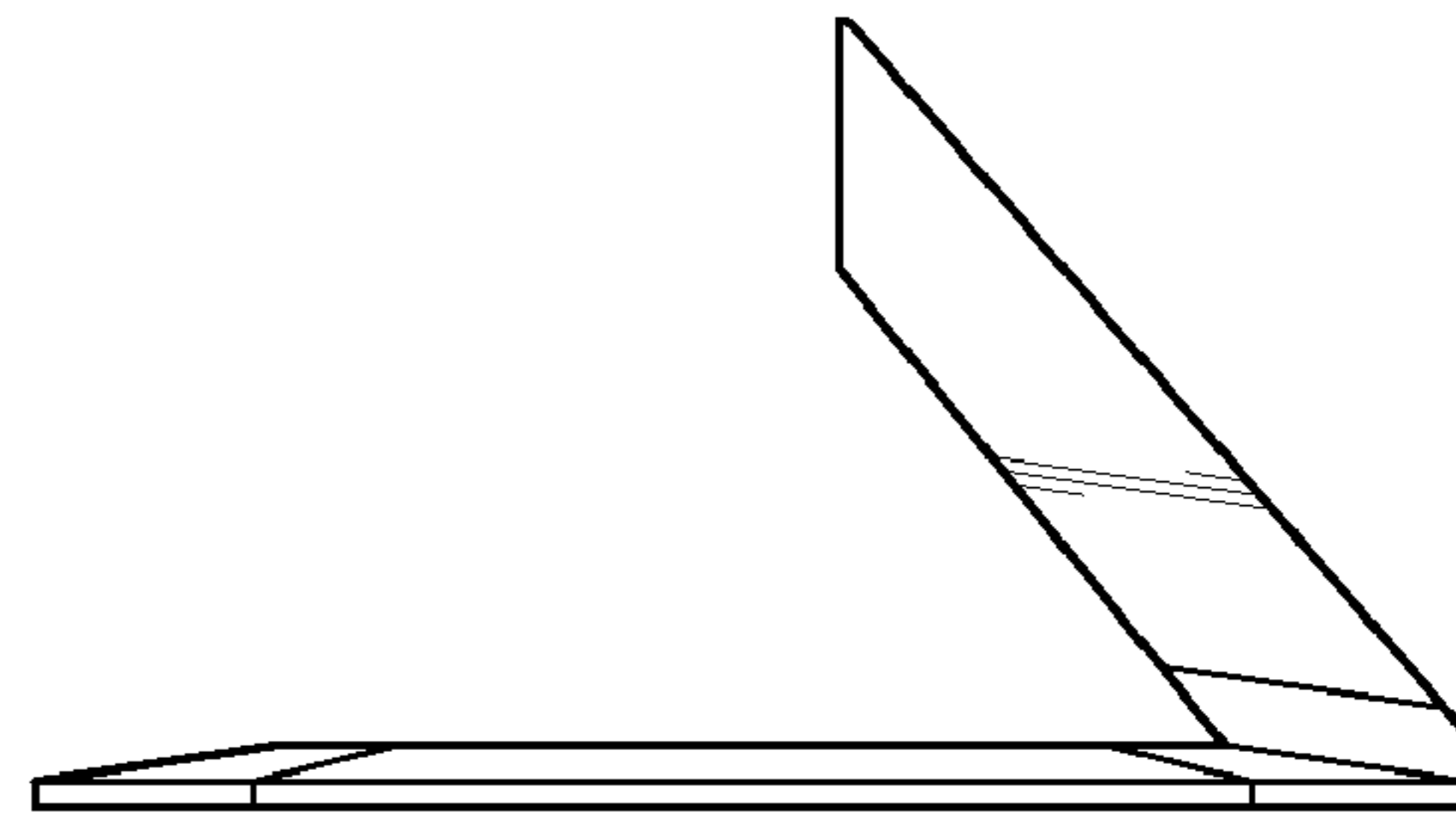


FIG.5

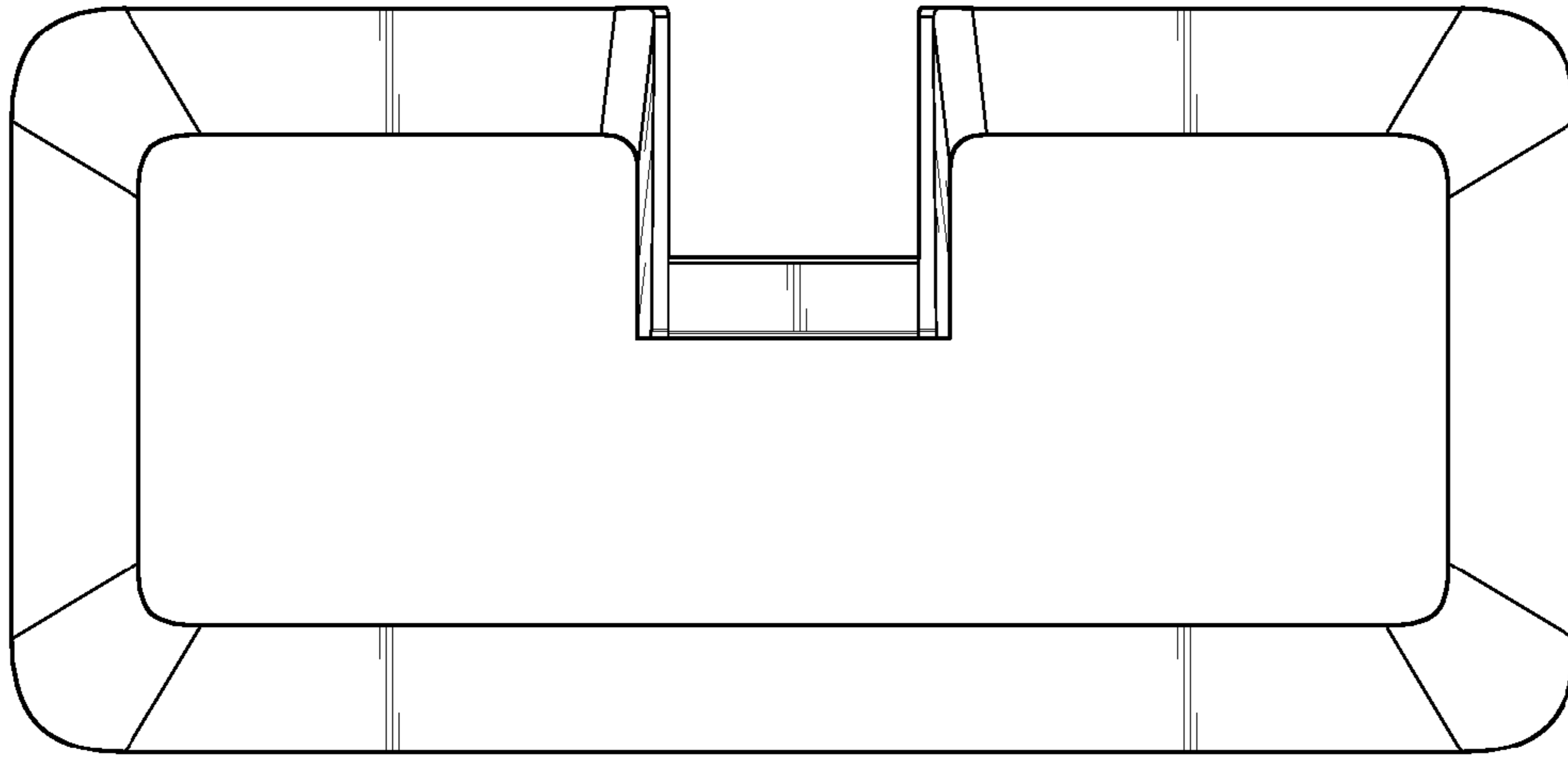


FIG. 6

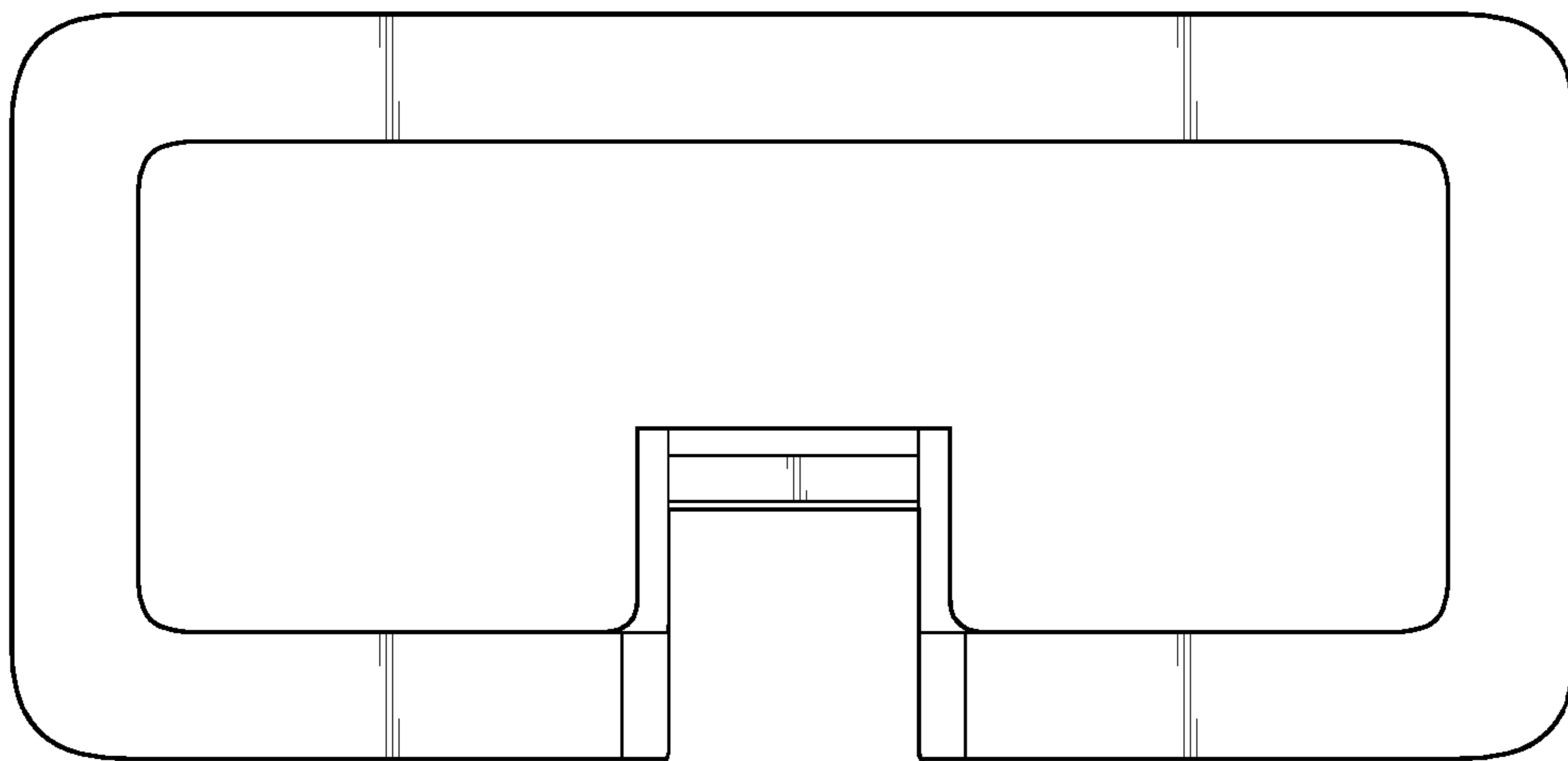


FIG. 7

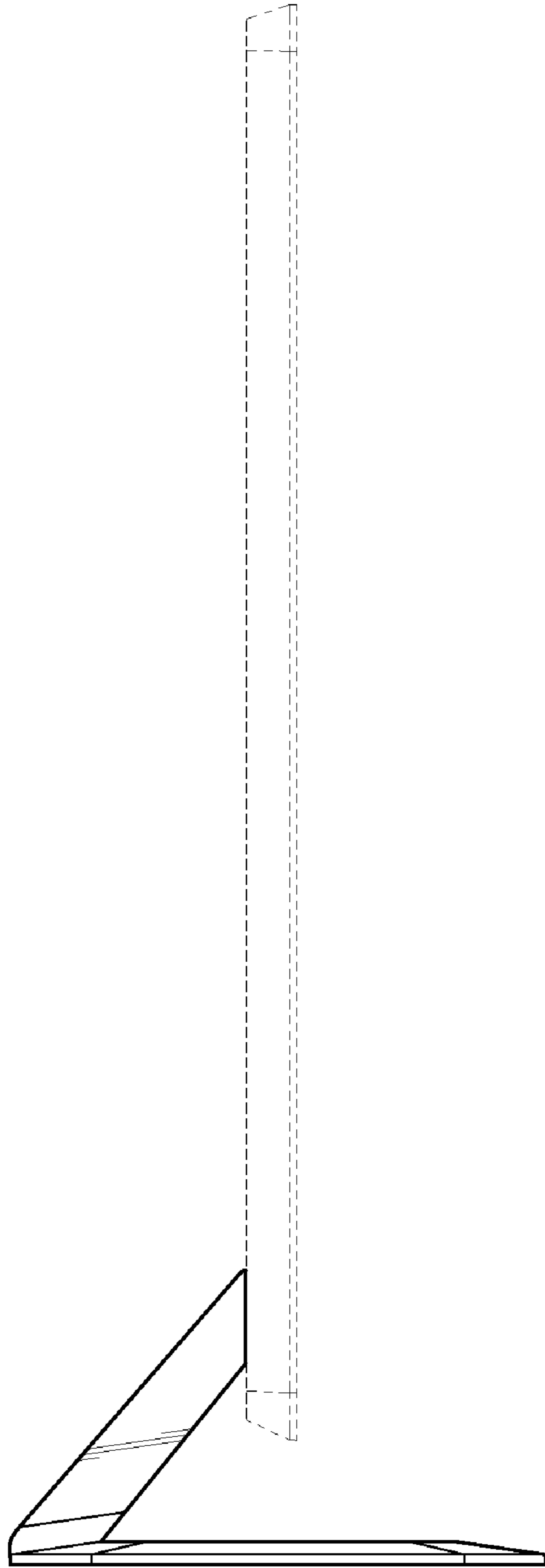


FIG.8