



US00D616420S

(12) **United States Design Patent**  
**Morimoto**

(10) **Patent No.:** **US D616,420 S**  
(45) **Date of Patent:** **\*\* May 25, 2010**

(54) **SPEAKER BOX**

(75) Inventor: **So Morimoto**, Tokyo (JP)  
(73) Assignee: **Sony Corporation**, Tokyo (JP)  
(\*\*) Term: **14 Years**

(21) Appl. No.: **29/311,857**  
(22) Filed: **Jul. 15, 2009**

(30) **Foreign Application Priority Data**  
Feb. 17, 2009 (JP) ..... D2009-003132

(51) **LOC (9) Cl.** ..... **14-01**  
(52) **U.S. Cl.** ..... **D14/216**  
(58) **Field of Classification Search** ..... D14/204,  
D14/210–216, 172; 181/143–144, 147–148,  
181/150–153, 157, 198–199; 381/300–303,  
381/306, 332–333, 336, 345, 361–364, 386–388  
See application file for complete search history.

(56) **References Cited**

**U.S. PATENT DOCUMENTS**

D436,943 S \* 1/2001 Hayashi et al. .... D14/168  
D442,942 S 5/2001 Tsuge  
D471,894 S 3/2003 Oikawa  
D491,165 S 6/2004 Hakoda  
D508,910 S 8/2005 Oikawa  
D519,490 S 4/2006 Komiyama  
D519,491 S \* 4/2006 Allen ..... D14/212

D540,782 S 4/2007 Katsumata  
D543,936 S 6/2007 Wada  
D551,656 S \* 9/2007 Ritscher et al. .... D14/216  
D553,121 S \* 10/2007 Gondo et al. .... D14/216  
D563,386 S 3/2008 Foster  
D573,579 S \* 7/2008 Yamaguchi ..... D14/216  
D578,107 S 10/2008 Shimizu

\* cited by examiner

*Primary Examiner*—Nanda Bondade

(74) *Attorney, Agent, or Firm*—Rader, Fishman & Grauer  
PLLC

(57) **CLAIM**

The ornamental design for a speaker box, as shown and described.

**DESCRIPTION**

FIG. 1 is a perspective view of a speaker box showing my new design;

FIG. 2 is a front elevational view thereof;

FIG. 3 is a rear elevational view thereof;

FIG. 4 is a left side elevational view thereof;

FIG. 5 is a right side elevational view thereof;

FIG. 6 is a top plan view thereof; and,

FIG. 7 is a bottom plan view thereof.

Portions that are shown as broken lines are for illustrative purpose only and form no part of the claimed design.

**1 Claim, 7 Drawing Sheets**

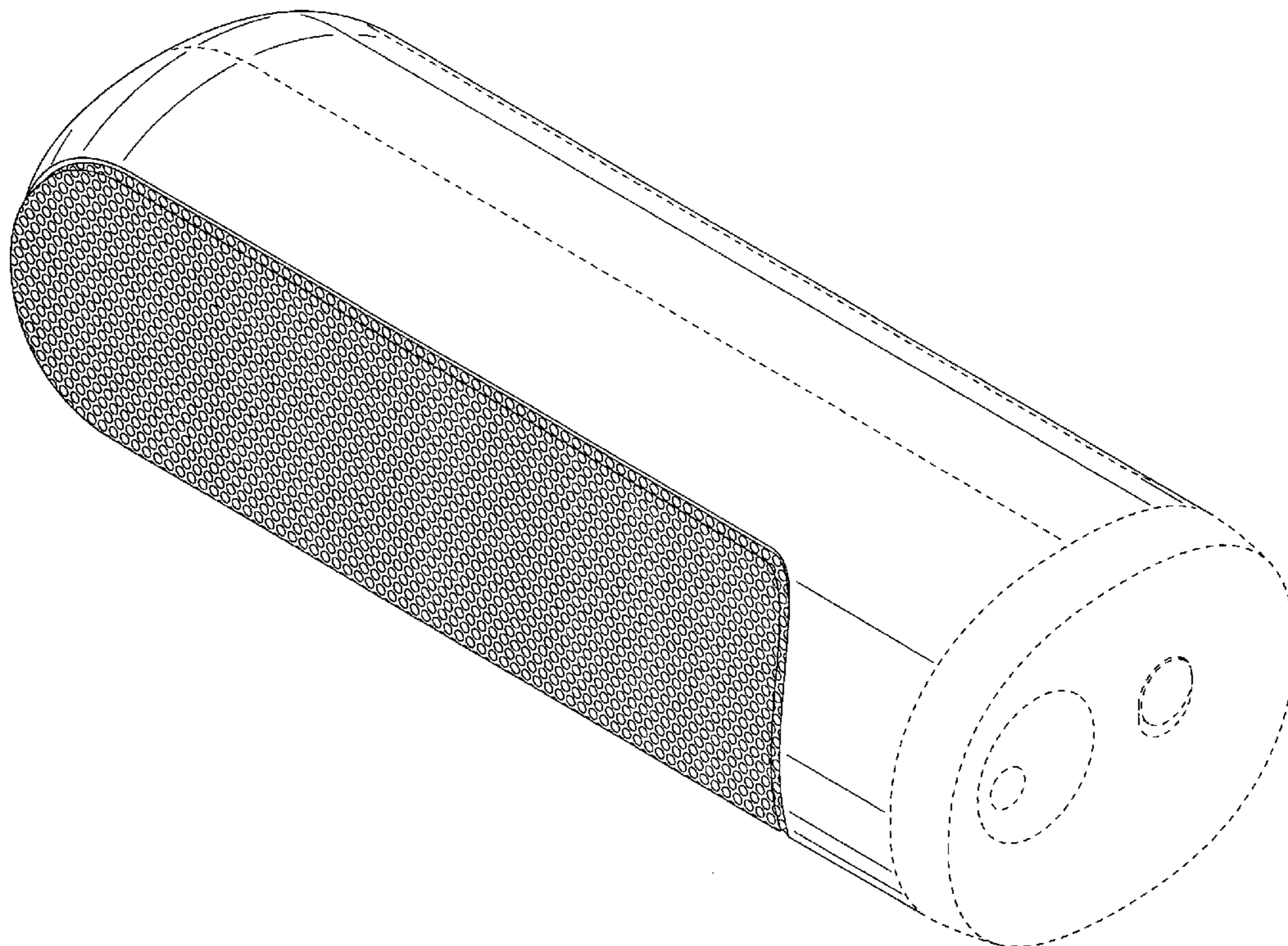


FIG.1

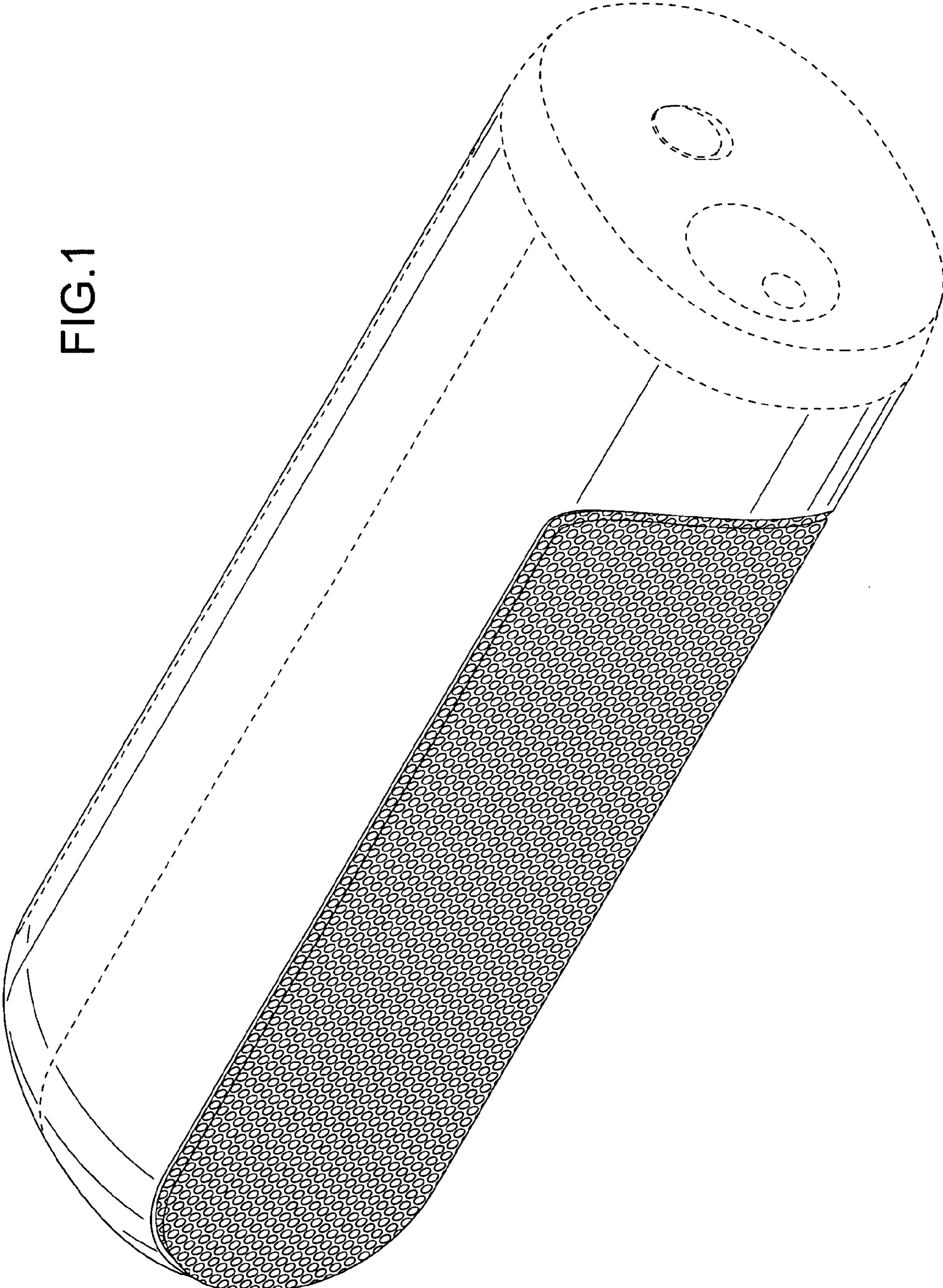




FIG.2

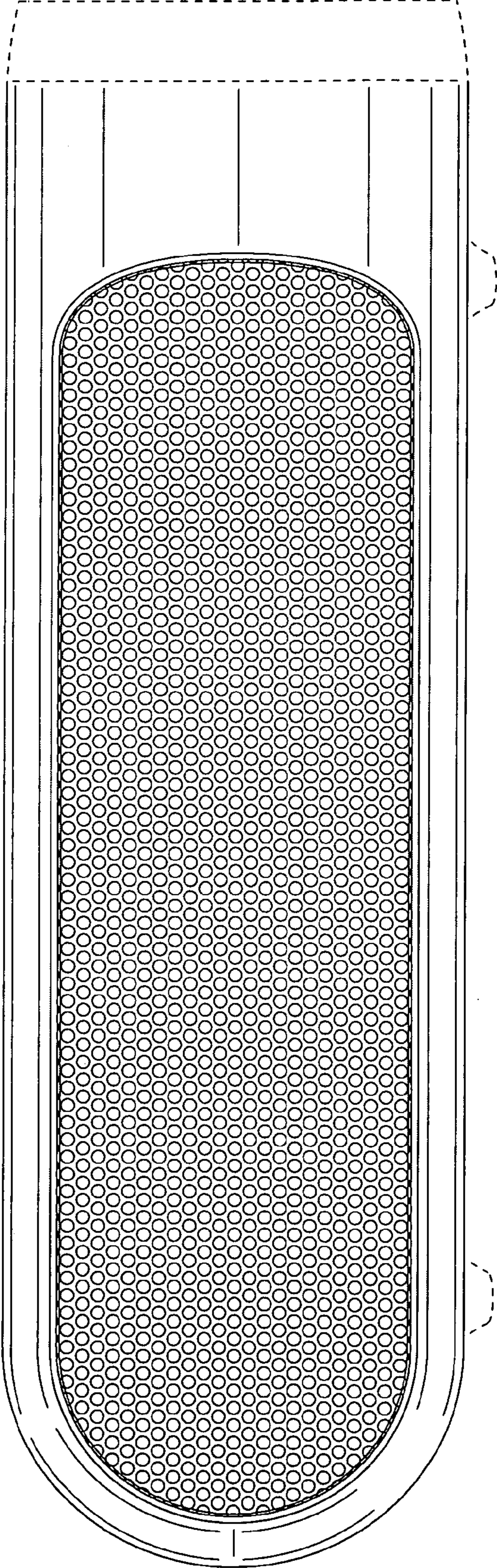


FIG.3

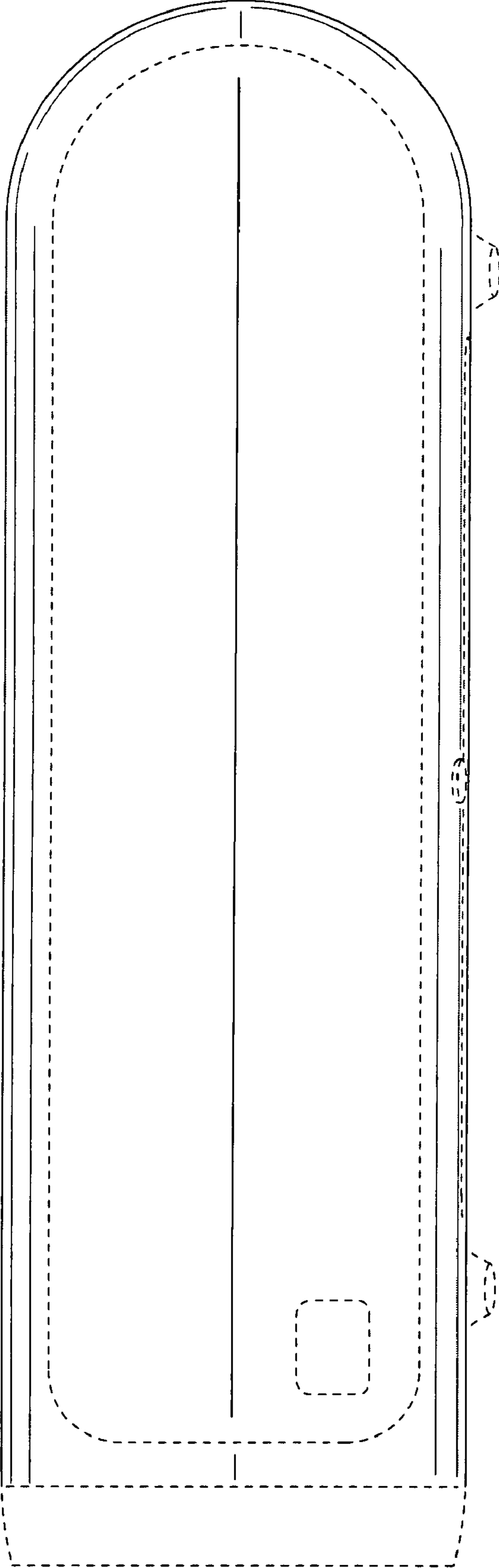


FIG.4

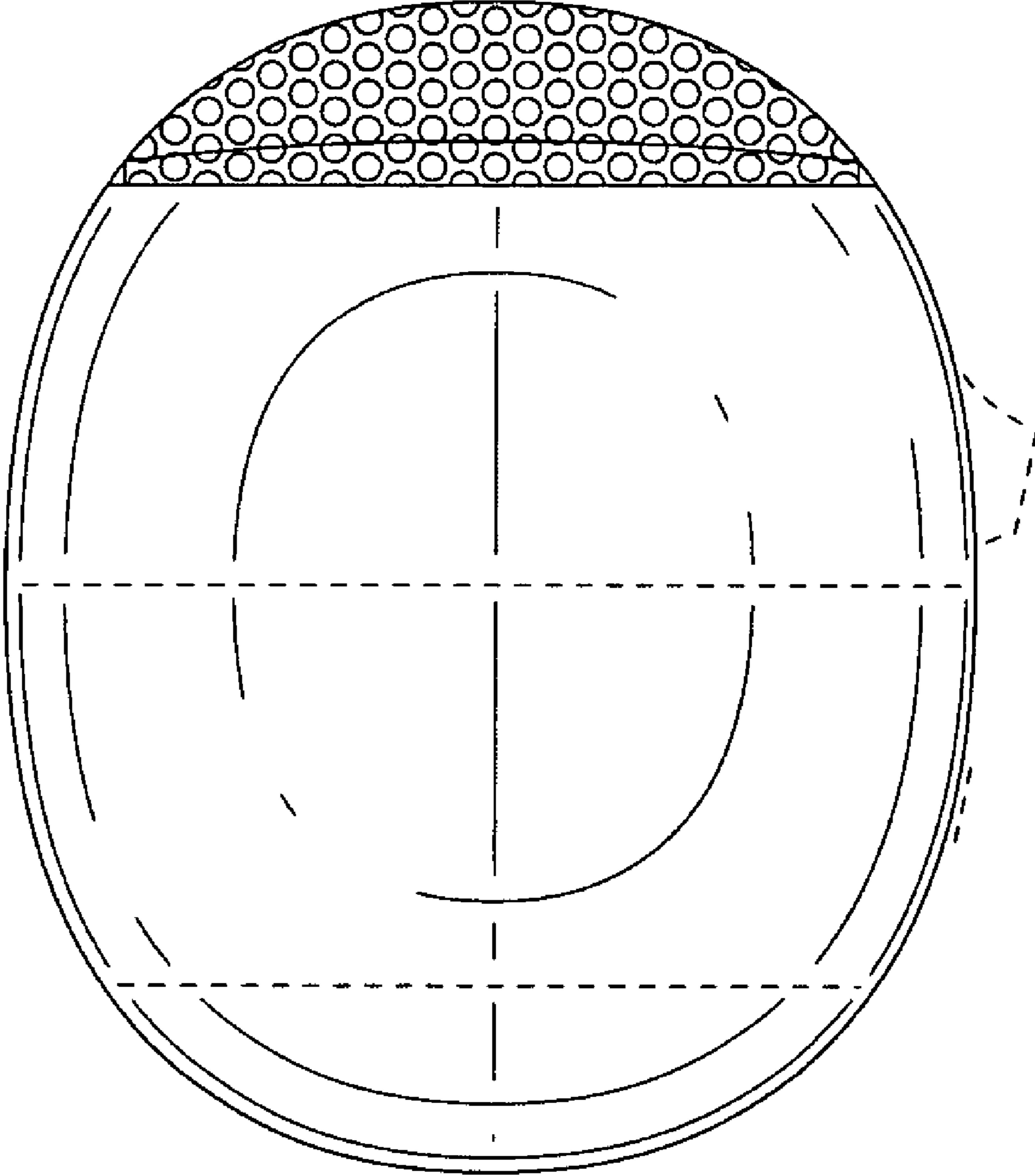


FIG. 5

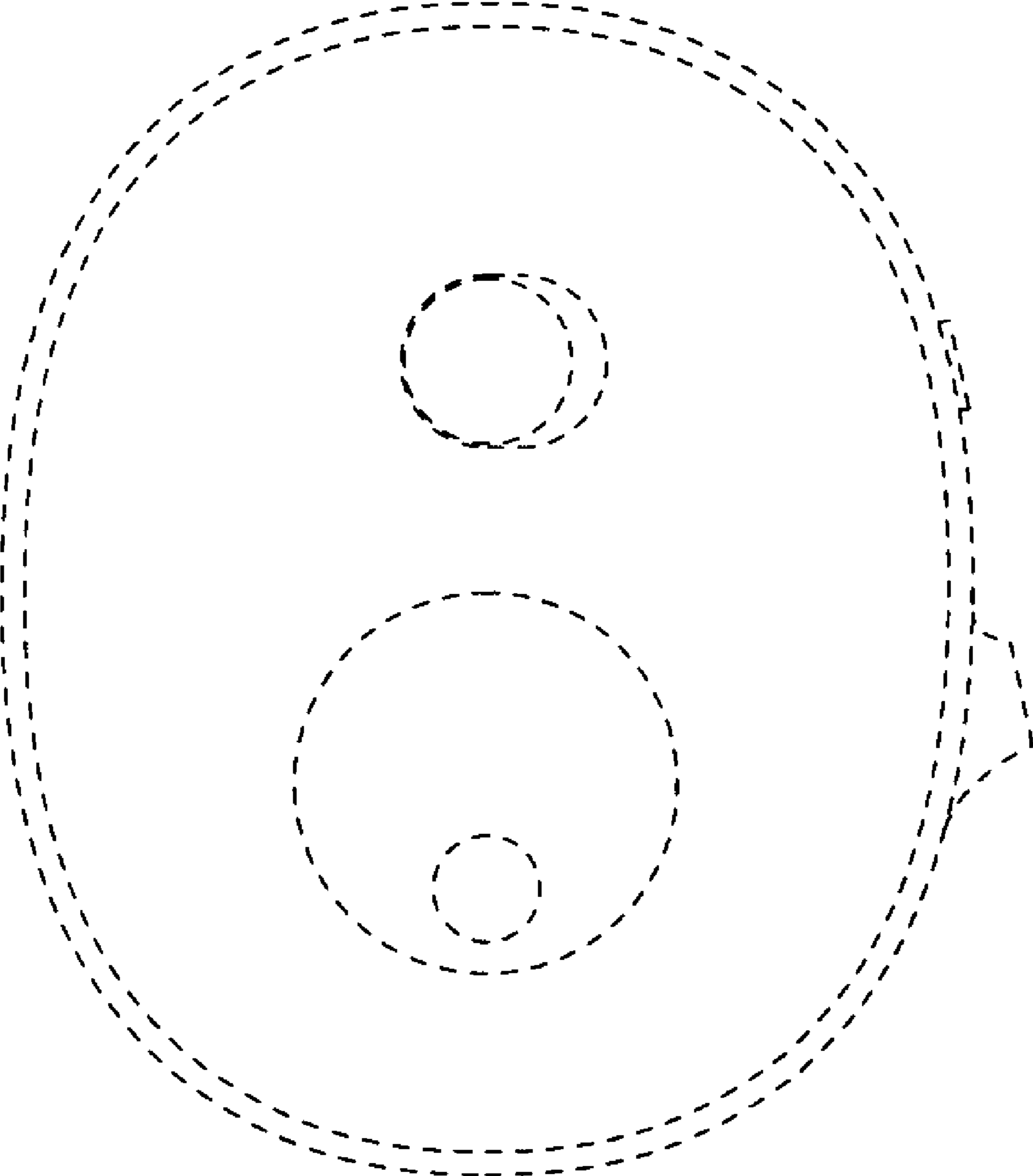


FIG.6

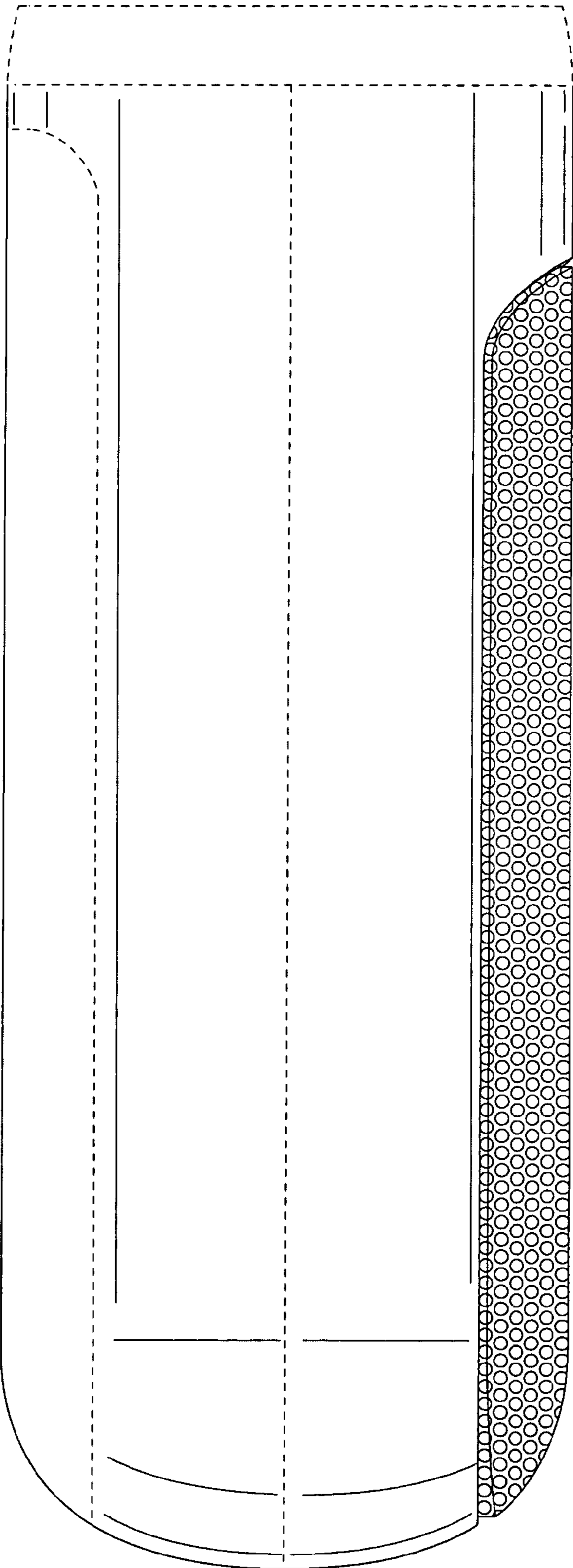




FIG.7

