



US00D616418S

(12) **United States Design Patent**
Morisawa

(10) **Patent No.:** **US D616,418 S**

(45) **Date of Patent:** **** May 25, 2010**

(54) **HEADSET**

D593,995 S * 6/2009 Shimizu D14/205

(75) Inventor: **Rui Morisawa**, Tokyo (JP)

(73) Assignee: **Sony Corporation**, Tokyo (JP)

(**) Term: **14 Years**

(21) Appl. No.: **29/311,858**

(22) Filed: **Jul. 15, 2009**

(51) **LOC (9) Cl.** **14-01**

(52) **U.S. Cl.** **D14/205**

(58) **Field of Classification Search** D14/205,
D14/206, 223; D29/112; 2/209; 181/129,
181/130, 135, 136; 379/430, 431; 381/370,
381/374, 375, 380, 381, 385

See application file for complete search history.

(56) **References Cited**

U.S. PATENT DOCUMENTS

2,537,201	A *	1/1951	Amfiteatrof	181/136
D300,133	S	3/1989	Daidoh et al.		
D351,172	S	10/1994	Nakamura et al.		
D381,987	S	8/1997	Tsuge		
5,661,270	A *	8/1997	Bozorgi-Ram	181/129
5,793,878	A *	8/1998	Chang	381/370
D435,537	S	12/2000	Yuyama		
D449,591	S	10/2001	Arpe		
D502,938	S *	3/2005	Tokioka et al.	D14/205
D512,981	S *	12/2005	Jacobson et al.	D14/205
D517,043	S *	3/2006	Jacobson et al.	D14/205
D534,156	S	12/2006	Obata		
D544,464	S *	6/2007	Lee	D14/205

FOREIGN PATENT DOCUMENTS

CN	3492207	S	12/2005
CN	300715671	S	12/2007
CN	300769662	S	4/2008
CN	300824895	S	9/2008
JP	D1250464	S	9/2005
JP	D1280609	S	9/2006
JP	D1337831	S	8/2008

* cited by examiner

Primary Examiner—Paula Greene

(74) *Attorney, Agent, or Firm*—Rader, Fishman & Grauer, PLLC

(57) **CLAIM**

The ornamental design for a headset, as shown and described.

DESCRIPTION

FIG. 1 is a perspective view of a headset showing my new design, the opposite perspective view is a mirror image, the interior surfaces of the openings are unornamented;

FIG. 2 is a front elevational view thereof;

FIG. 3 is a rear elevational view thereof;

FIG. 4 is a left side elevational view thereof;

FIG. 5 is a right side elevational view thereof;

FIG. 6 is a top plan view thereof; and,

FIG. 7 is a bottom plan view thereof.

Portions of FIGS. 1–7 that are shown as broken lines are for illustrative purpose only and form no part of the claimed design.

1 Claim, 7 Drawing Sheets

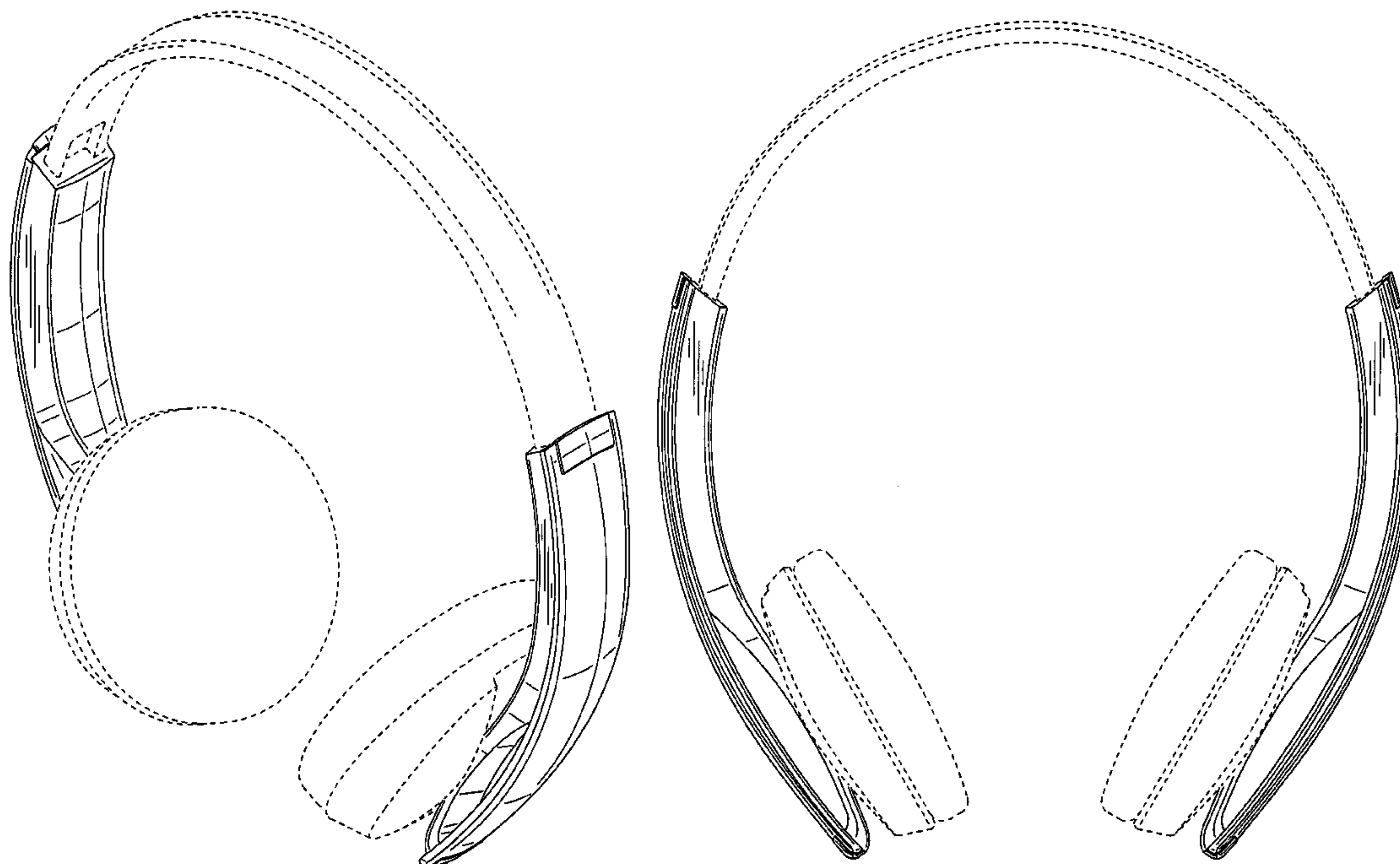


FIG. 1

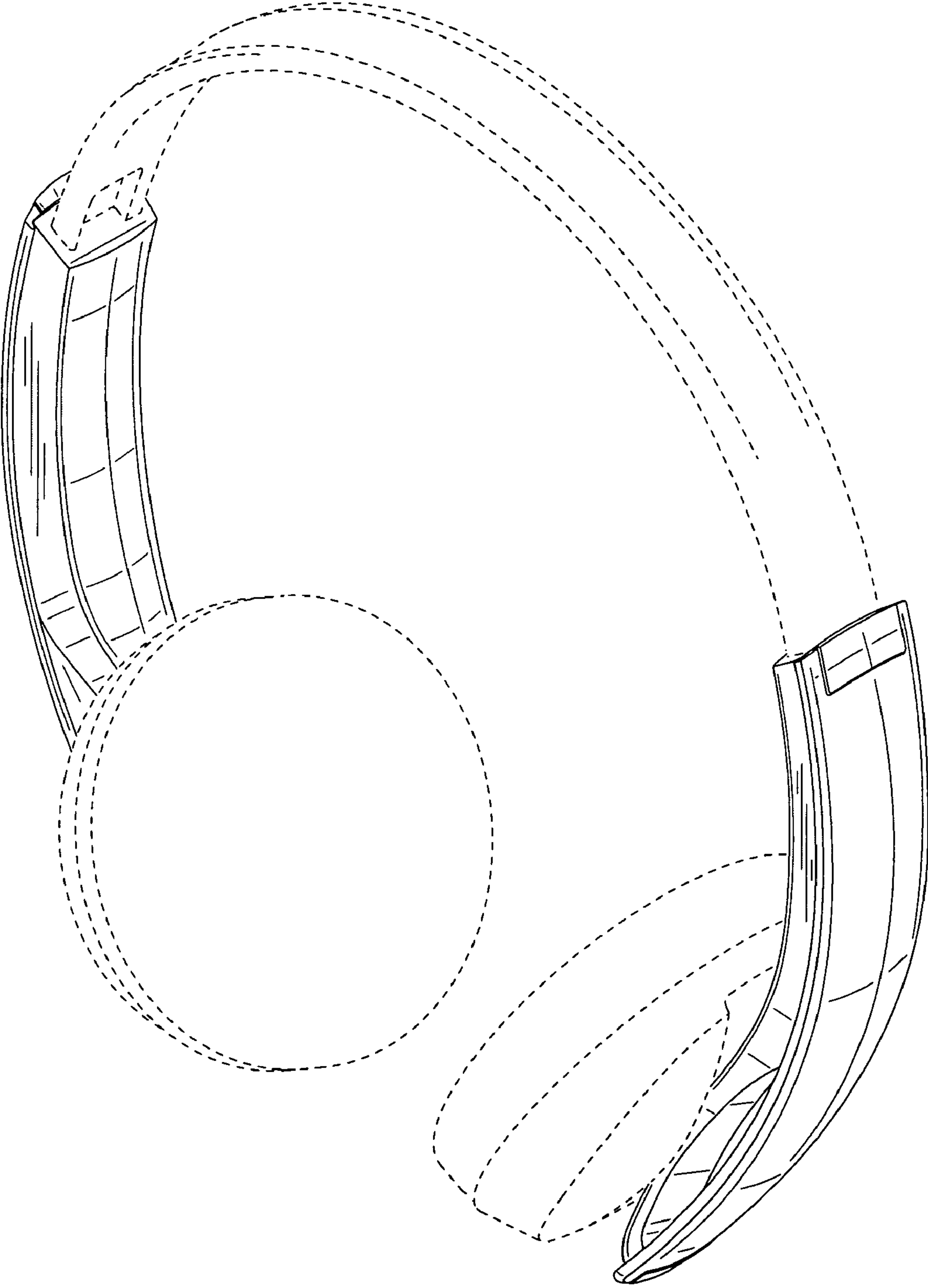


FIG.2

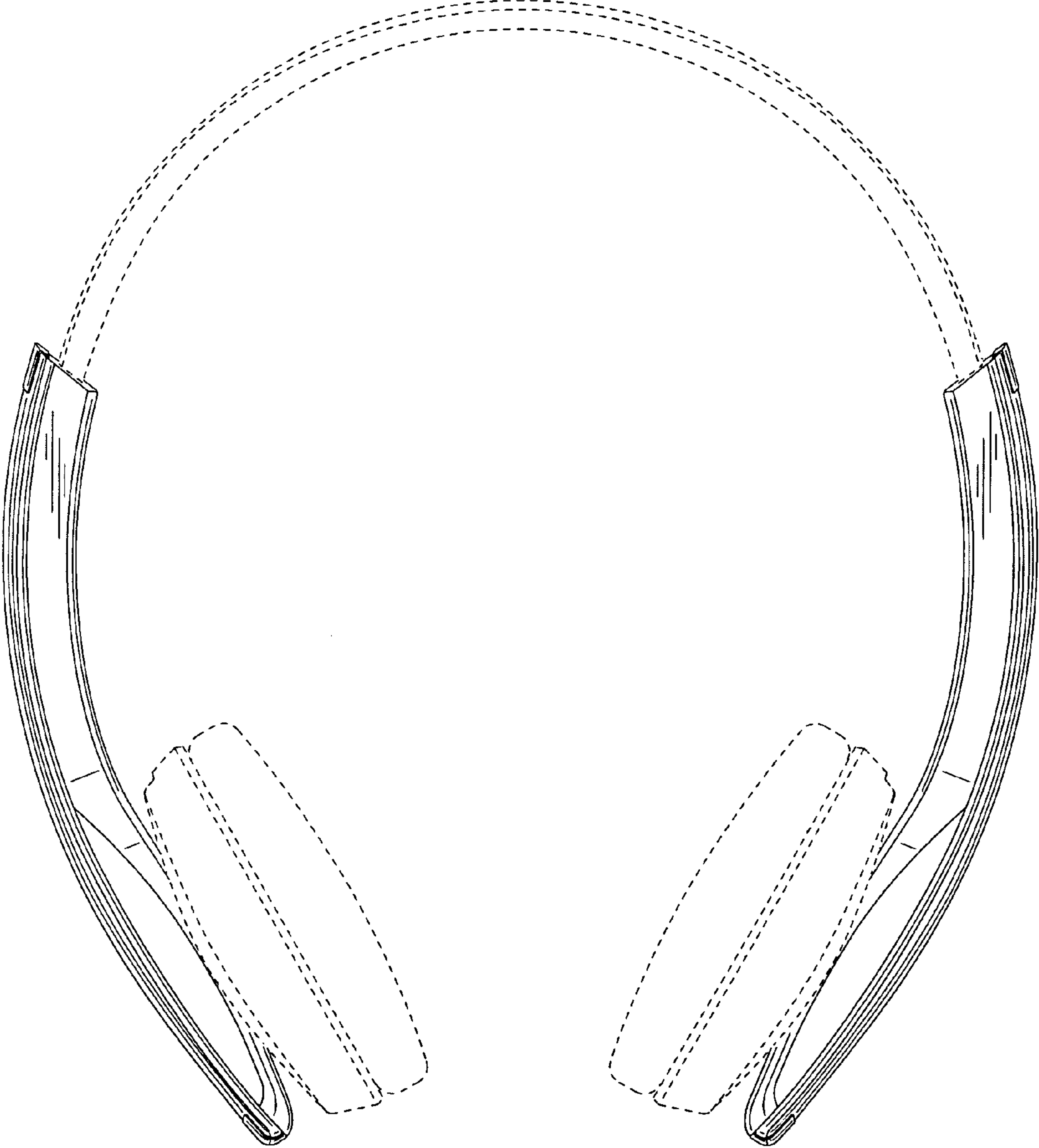


FIG.3

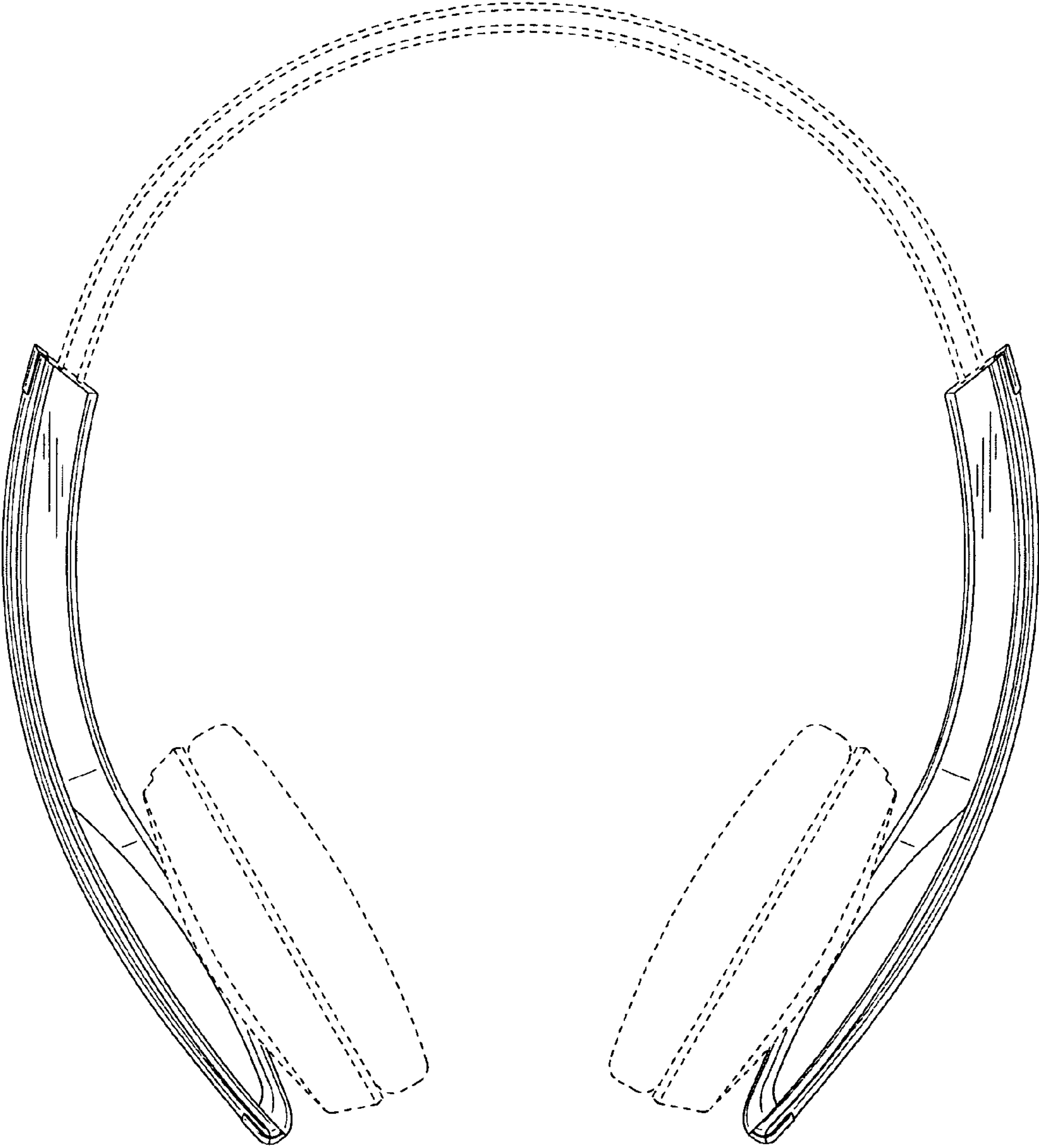


FIG.4

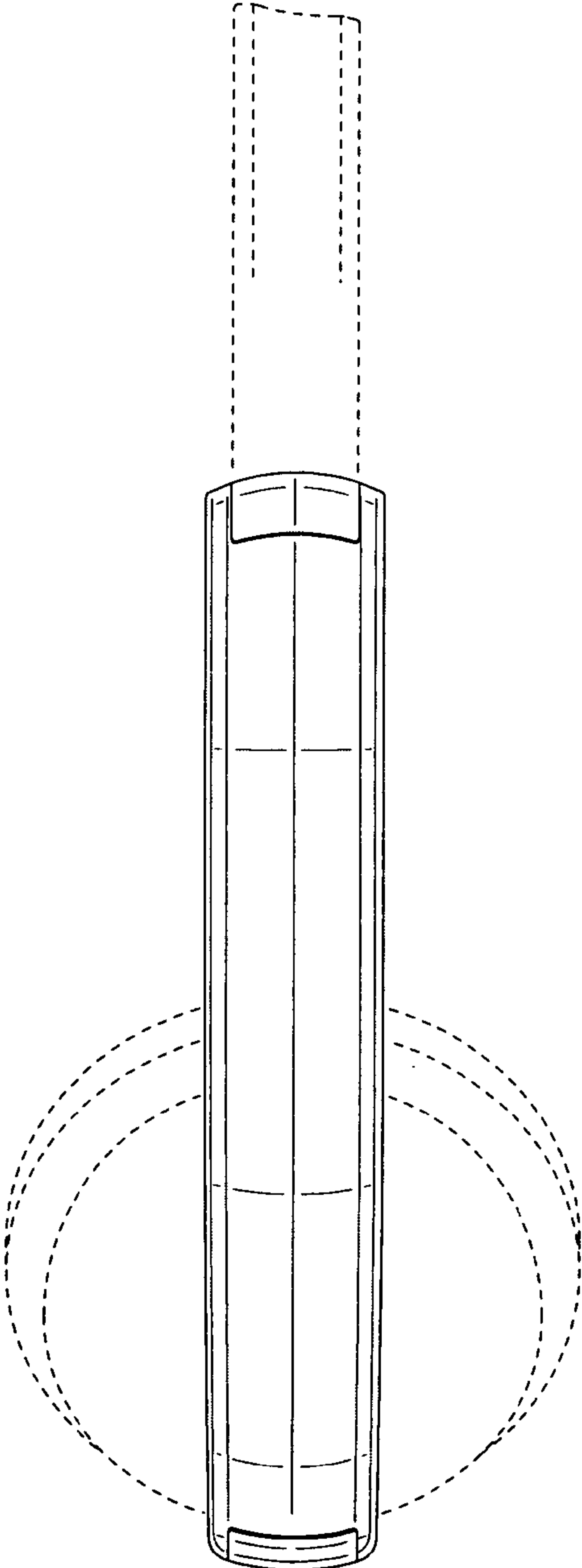


FIG.5

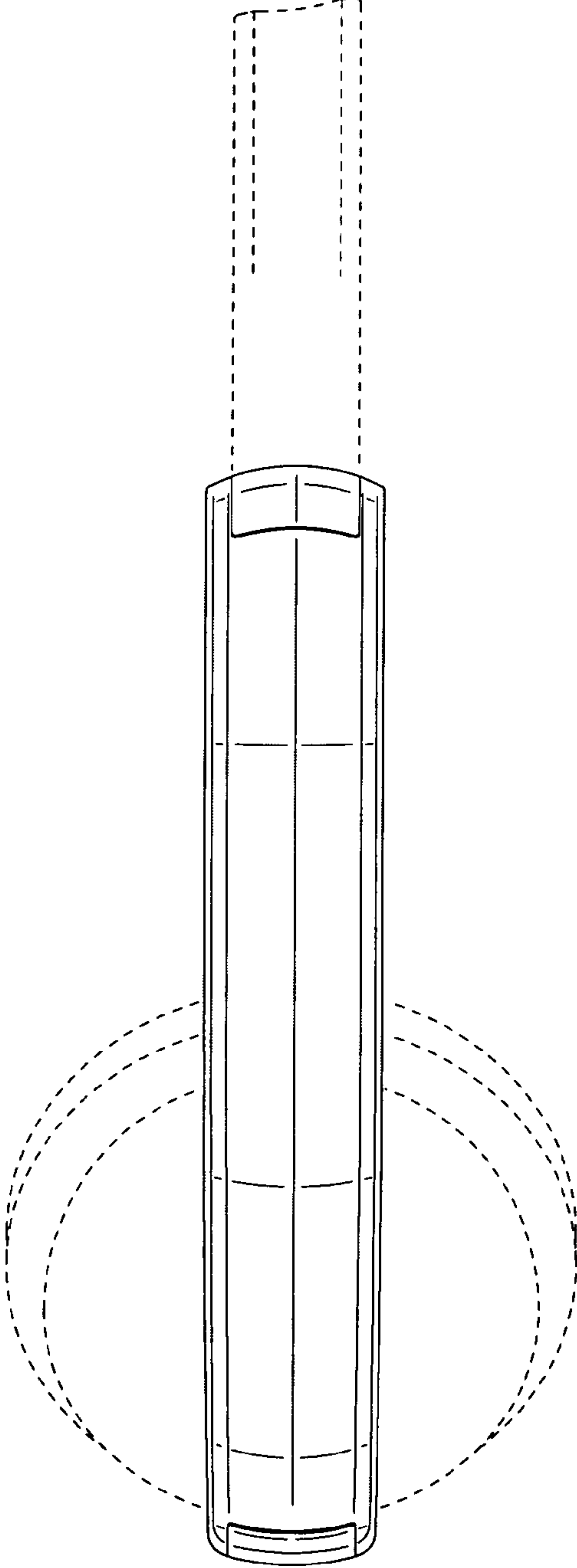


FIG.6

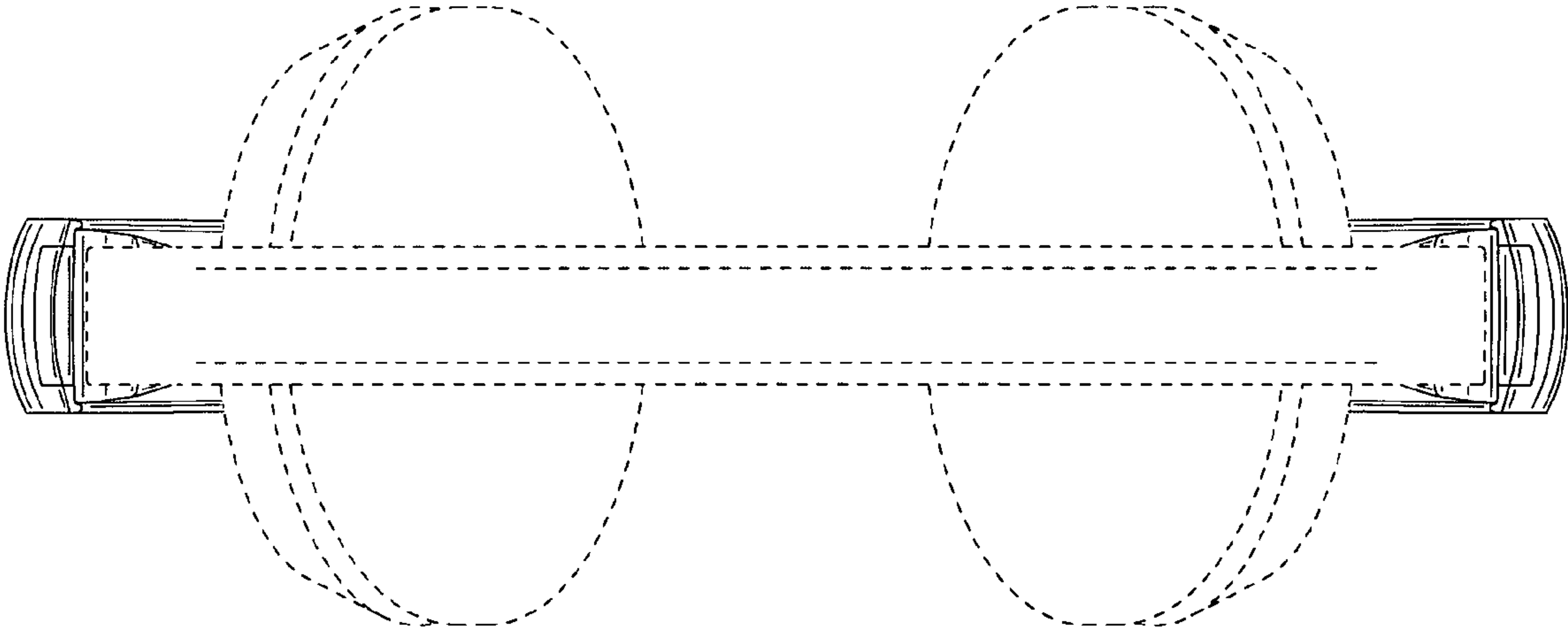


FIG.7

