



US00D616413S

(12) **United States Design Patent**  
**Poandl**

(10) **Patent No.:** **US D616,413 S**

(45) **Date of Patent:** **\*\* May 25, 2010**

(54) **DOCKING MEDIA PLAYER CLOCK RADIO**

(75) Inventor: **Mary Beth Poandl**, Red Bank, NJ (US)

(73) Assignee: **SDI Technologies, Inc.**, Rahway, NJ (US)

(\*\*) Term: **14 Years**

(21) Appl. No.: **29/343,460**

(22) Filed: **Sep. 14, 2009**

(51) **LOC (9) Cl.** ..... **14-03**

(52) **U.S. Cl.** ..... **D14/171; D10/2**

(58) **Field of Classification Search** ..... D14/137,  
D14/155, 156, 168, 170, 171, 188, 189, 193–198,  
D14/203.1–203.8, 204, 208, 209.1, 210, 212,  
D14/214, 217, 496; D10/2; 312/7.1; 369/6–12;  
370/342–344; 455/90.1–90.3, 344–355  
See application file for complete search history.

(56) **References Cited**

**U.S. PATENT DOCUMENTS**

D414,491 S	*	9/1999	Kokkinis	.....	D14/171
D523,419 S	*	6/2006	Joseph	.....	D14/214
D554,622 S	*	11/2007	Joseph	.....	D14/217
D560,650 S	*	1/2008	Choi	.....	D14/171
D572,702 S	*	7/2008	Bart	.....	D14/171
D577,709 S	*	9/2008	Skurdal	.....	D14/171
D582,887 S	*	12/2008	Poandl	.....	D14/172
D583,358 S	*	12/2008	Joseph	.....	D14/171

D583,359 S	*	12/2008	Skurdal	.....	D14/171
D586,327 S	*	2/2009	Shimizu	.....	D14/188
D600,251 S	*	9/2009	Poandl	.....	D14/496
D605,625 S	*	12/2009	Skurdal	.....	D14/171

\* cited by examiner

*Primary Examiner*—Stella M Reid

*Assistant Examiner*—Keli L Hill

(74) *Attorney, Agent, or Firm*—Ostrolenk Faber LLP

(57) **CLAIM**

The ornamental design for a docking media player clock radio, as shown and described.

**DESCRIPTION**

FIG. 1 is a top, front, side, perspective view of a docking media player clock radio showing my new design;

FIG. 2 is a front view thereof;

FIG. 3 is a rear view thereof;

FIG. 4 is a top view thereof;

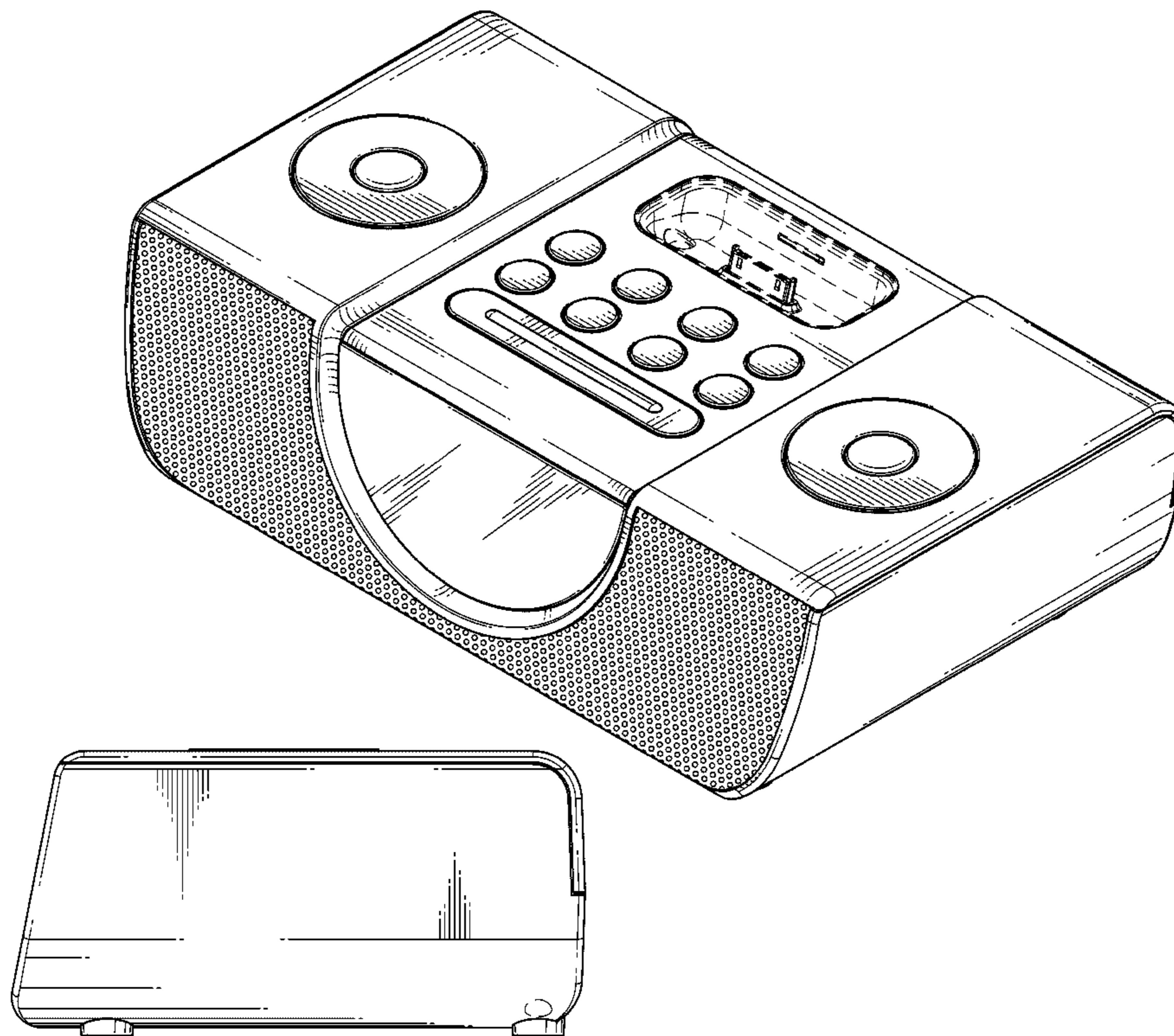
FIG. 5 is a bottom view thereof;

FIG. 6 is a side view thereof, the opposite side view being a mirror image; and,

FIG. 7 is a cross-sectional view thereof along the line 7—7 in FIG. 4.

The broken lines in the drawings illustrate environmental material that forms no part of the claimed design.

**1 Claim, 7 Drawing Sheets**



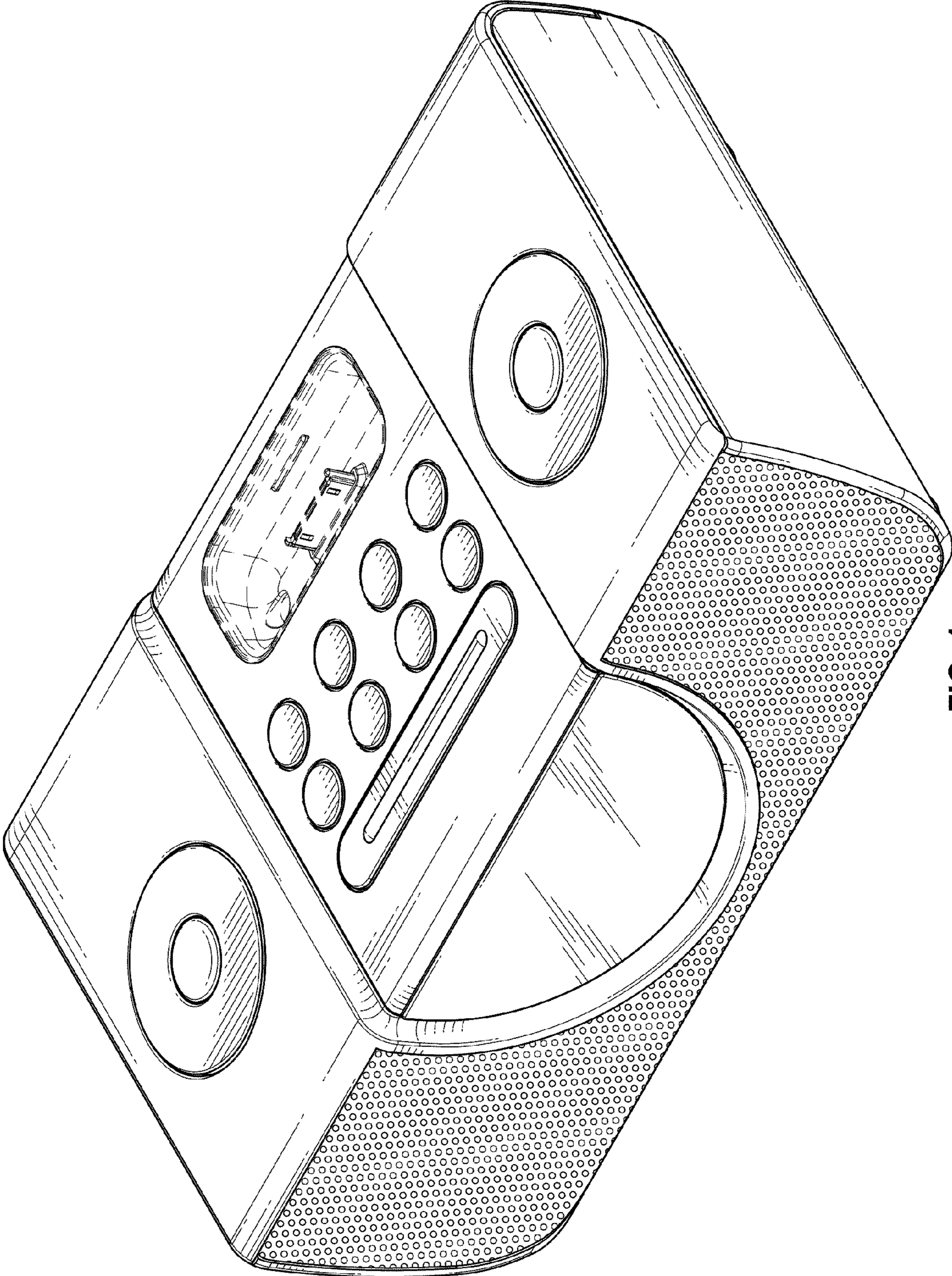


FIG. 1

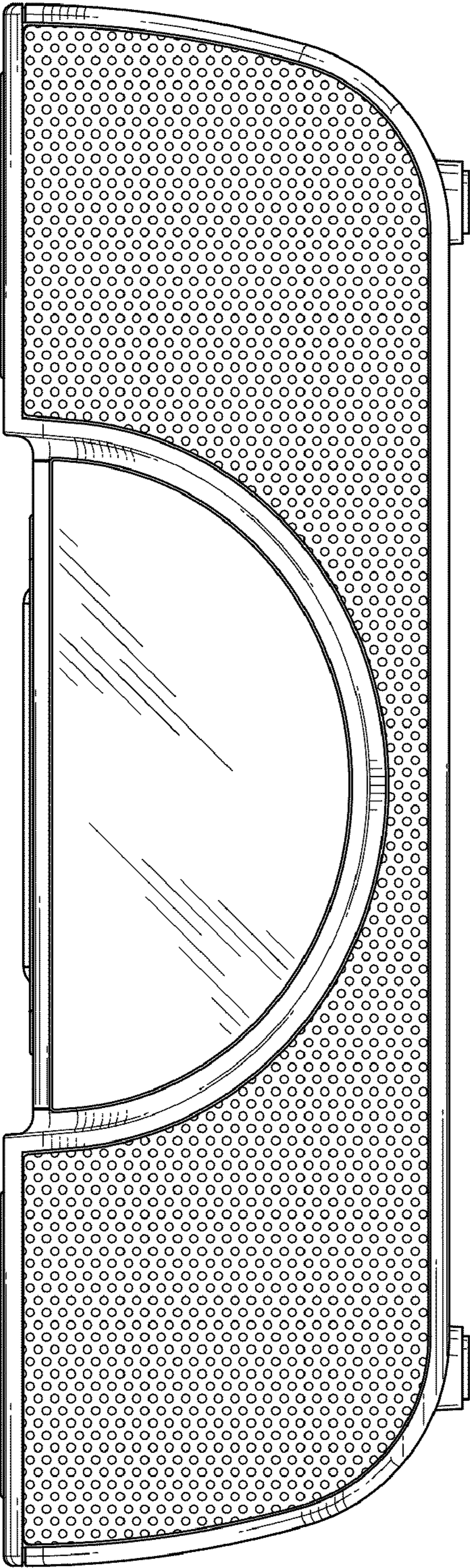


FIG. 2

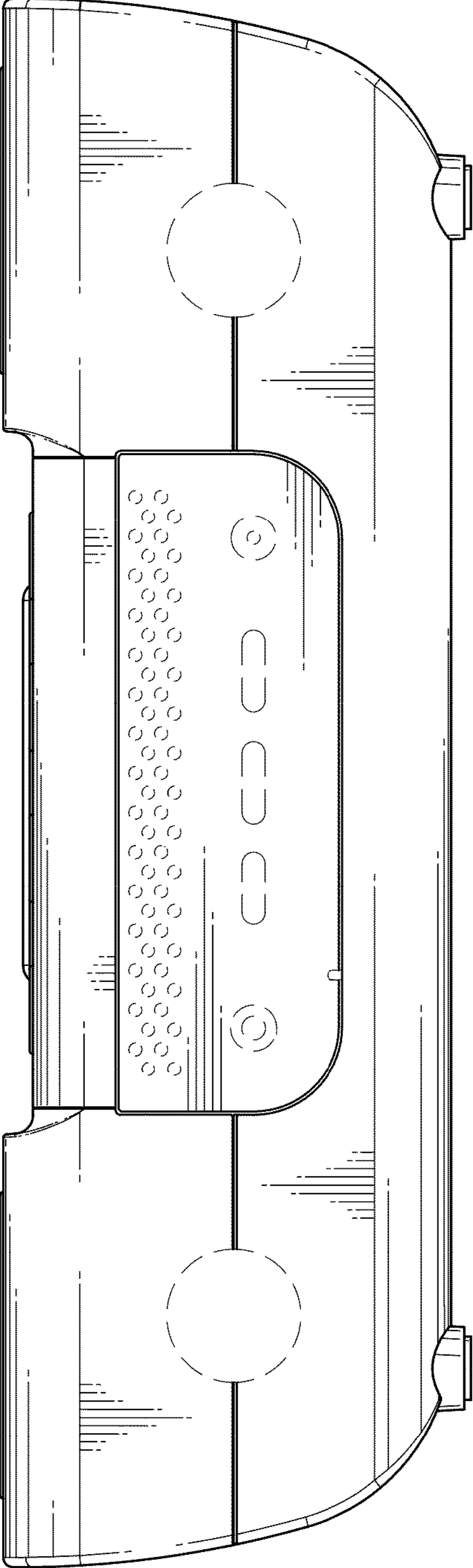


FIG. 3

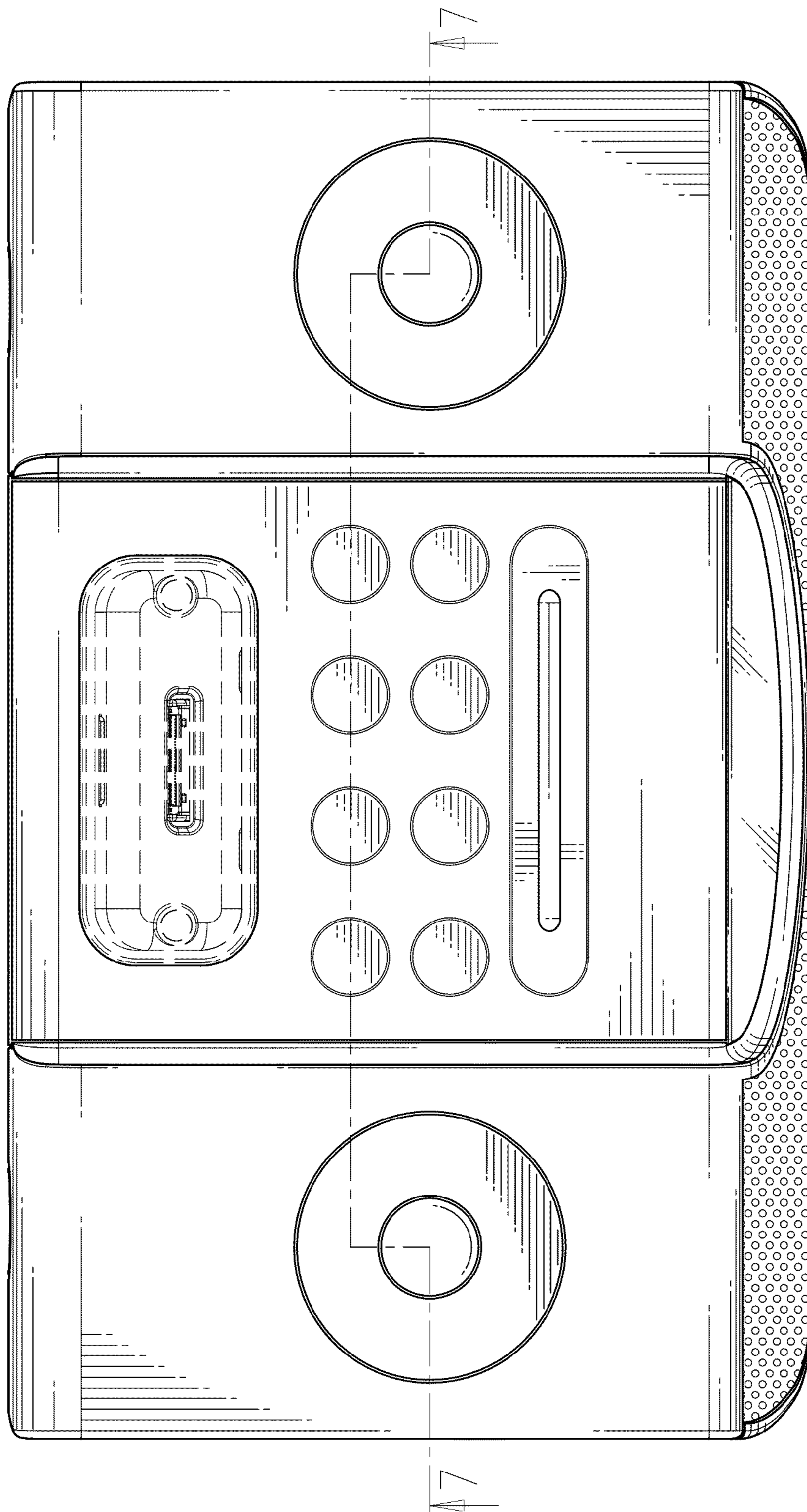


FIG. 4

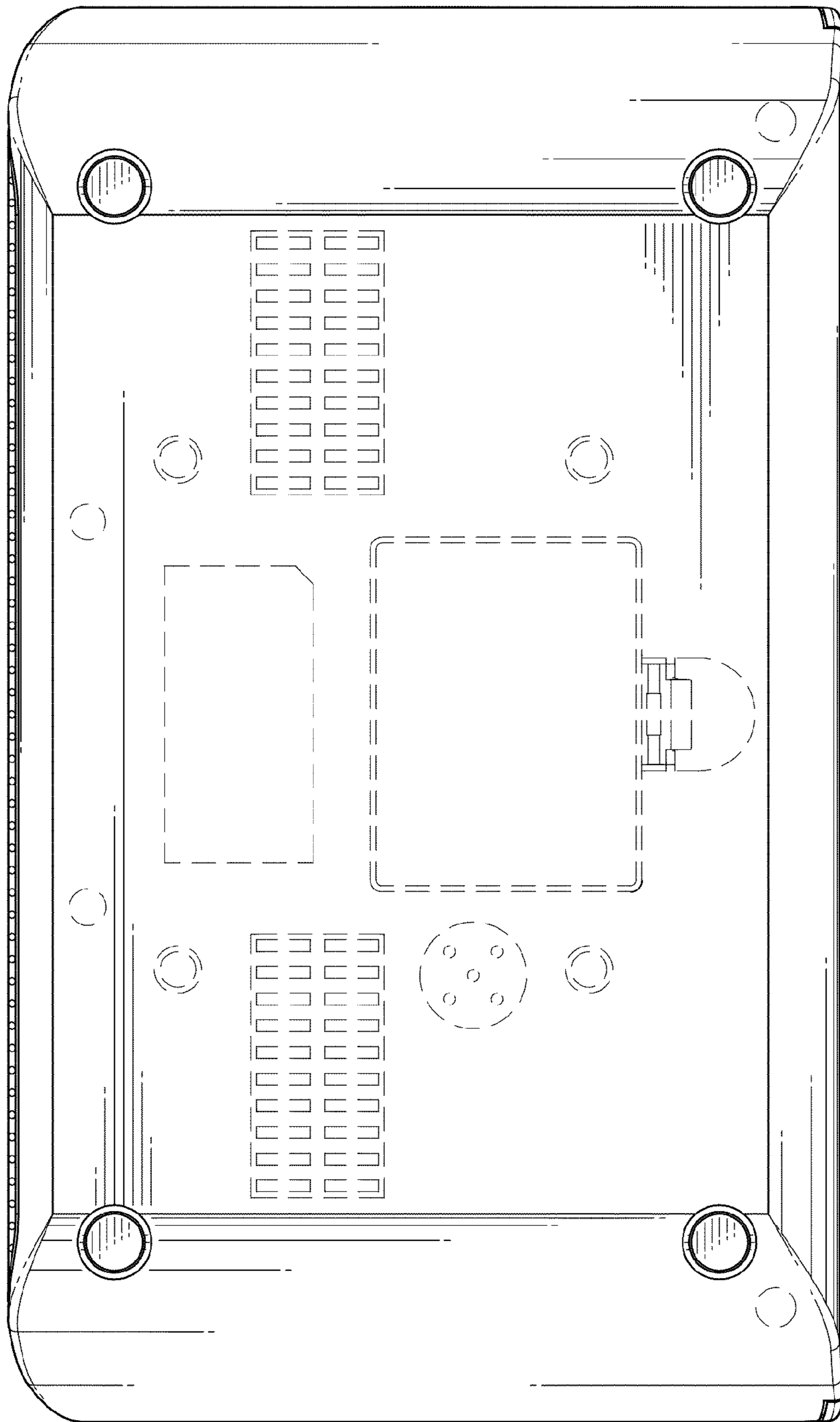


FIG. 5



FIG. 6

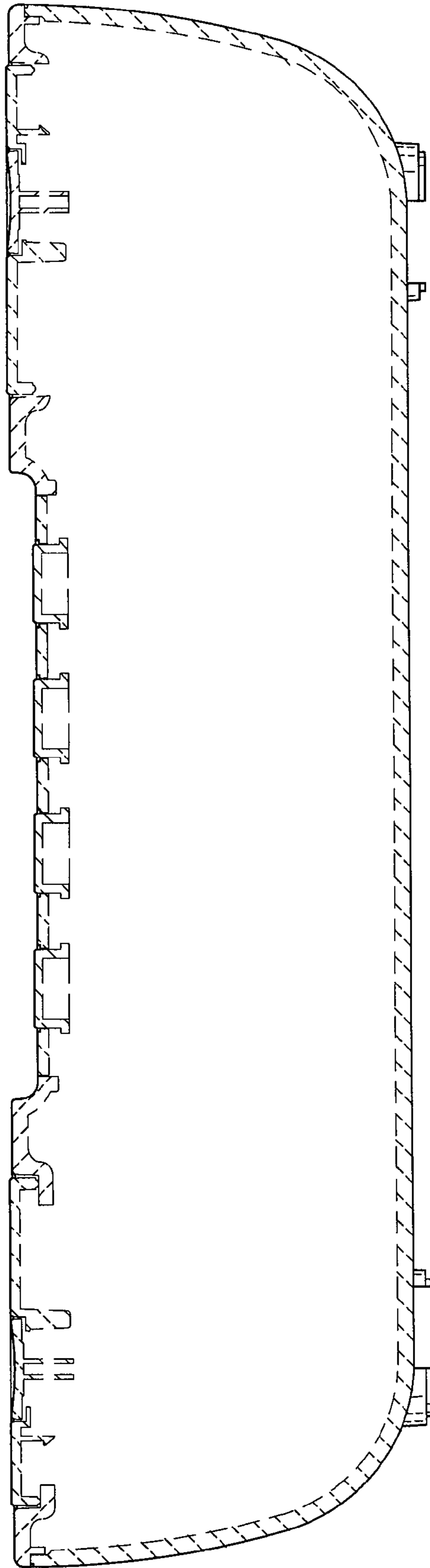


FIG. 7