



US00D616412S

(12) **United States Design Patent**
Garrett

(10) **Patent No.:** **US D616,412 S**

(45) **Date of Patent:** **** May 25, 2010**

(54) **MEDIA PLAYER DOCK CLOCK RADIO**

D586,777 S * 2/2009 Joseph D14/171
D600,251 S * 9/2009 Poandl D14/168
D605,625 S * 12/2009 Skurdal D14/171

(75) Inventor: **Jennifer Elizabeth Garrett**, Ardsley, PA
(US)

* cited by examiner

(73) Assignee: **SDI Technologies, Inc.**, Rahway, NJ
(US)

Primary Examiner—Stella M Reid

Assistant Examiner—Keli L Hill

(**) Term: **14 Years**

(74) *Attorney, Agent, or Firm*—Ostronlenk Faber LLP

(21) Appl. No.: **29/343,459**

(57) **CLAIM**

(22) Filed: **Sep. 14, 2009**

The ornamental design for a media player dock clock radio, as shown and described.

(51) **LOC (9) Cl.** **14-03**

(52) **U.S. Cl.** **D14/171**

(58) **Field of Classification Search** D14/137,
D14/155, 156, 168, 170, 171, 188, 189, 193–198,
D14/203.1–203.8, 204, 208, 209.1, 210, 212,
D14/214, 217, 496; D10/2; 312/7.1; 369/6–12;
370/342–344; 455/90.1–90.3, 344–355
See application file for complete search history.

DESCRIPTION

FIG. 1 is a top, front, perspective view of a media player dock clock radio showing my new design;

FIG. 2 is a front view thereof;

FIG. 3 is a rear view thereof;

FIG. 4 is a top view thereof;

FIG. 5 is a bottom view thereof;

FIG. 6 is a side view thereof, the opposite side view being a mirror image; and,

FIG. 7 is an oblique view in the direction of arrow 7 in FIG. 4.

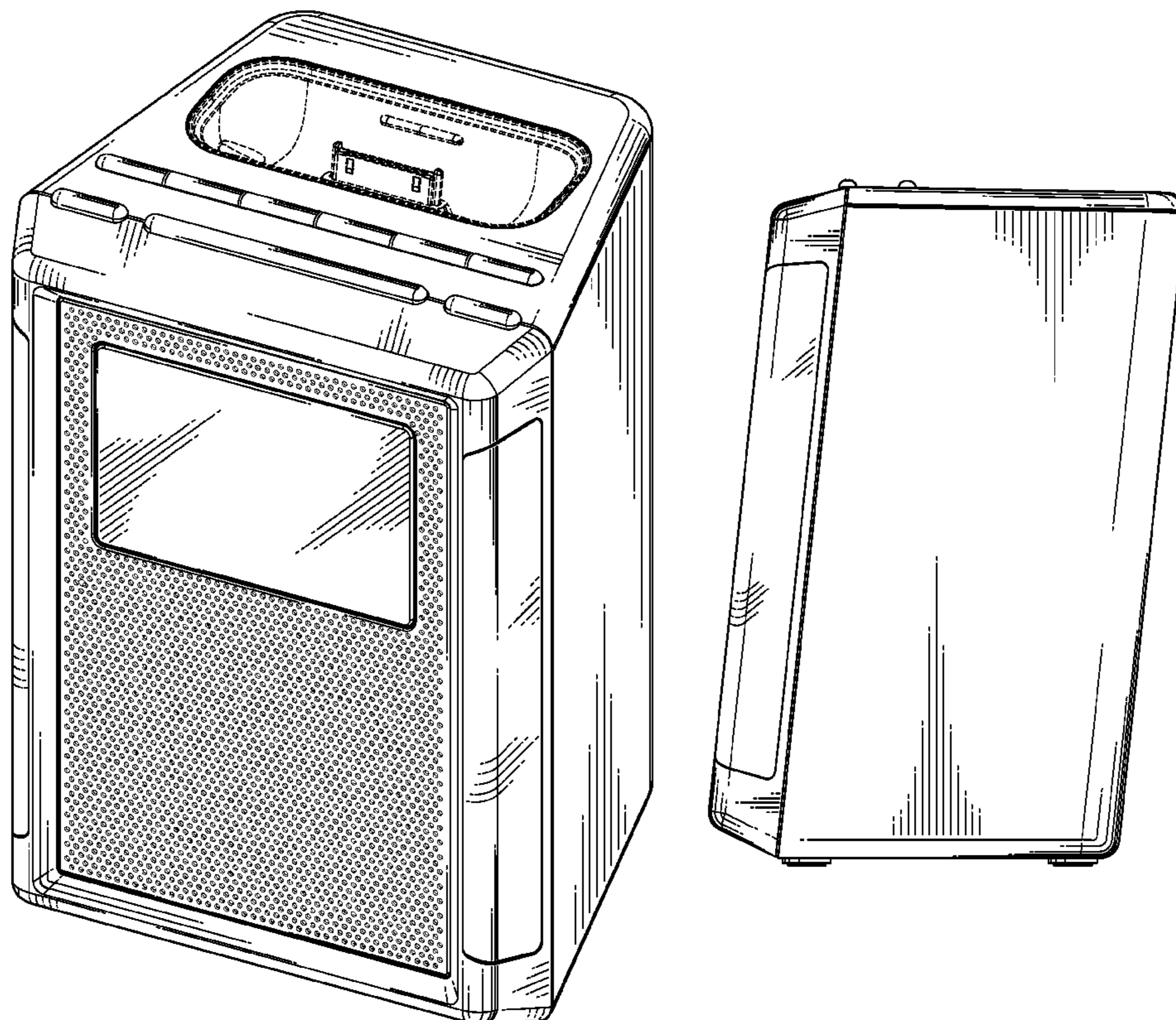
The broken lines in the drawings illustrate environmental material that forms no part of the claimed design.

(56) **References Cited**

U.S. PATENT DOCUMENTS

D318,054 S * 7/1991 Kikutani D14/214
D343,676 S * 1/1994 Lim D23/335
D557,256 S * 12/2007 Joseph D14/217
D558,737 S * 1/2008 Poandl D14/172
D565,594 S * 4/2008 Poandl D14/265
D577,743 S * 9/2008 Liu D14/496

1 Claim, 7 Drawing Sheets



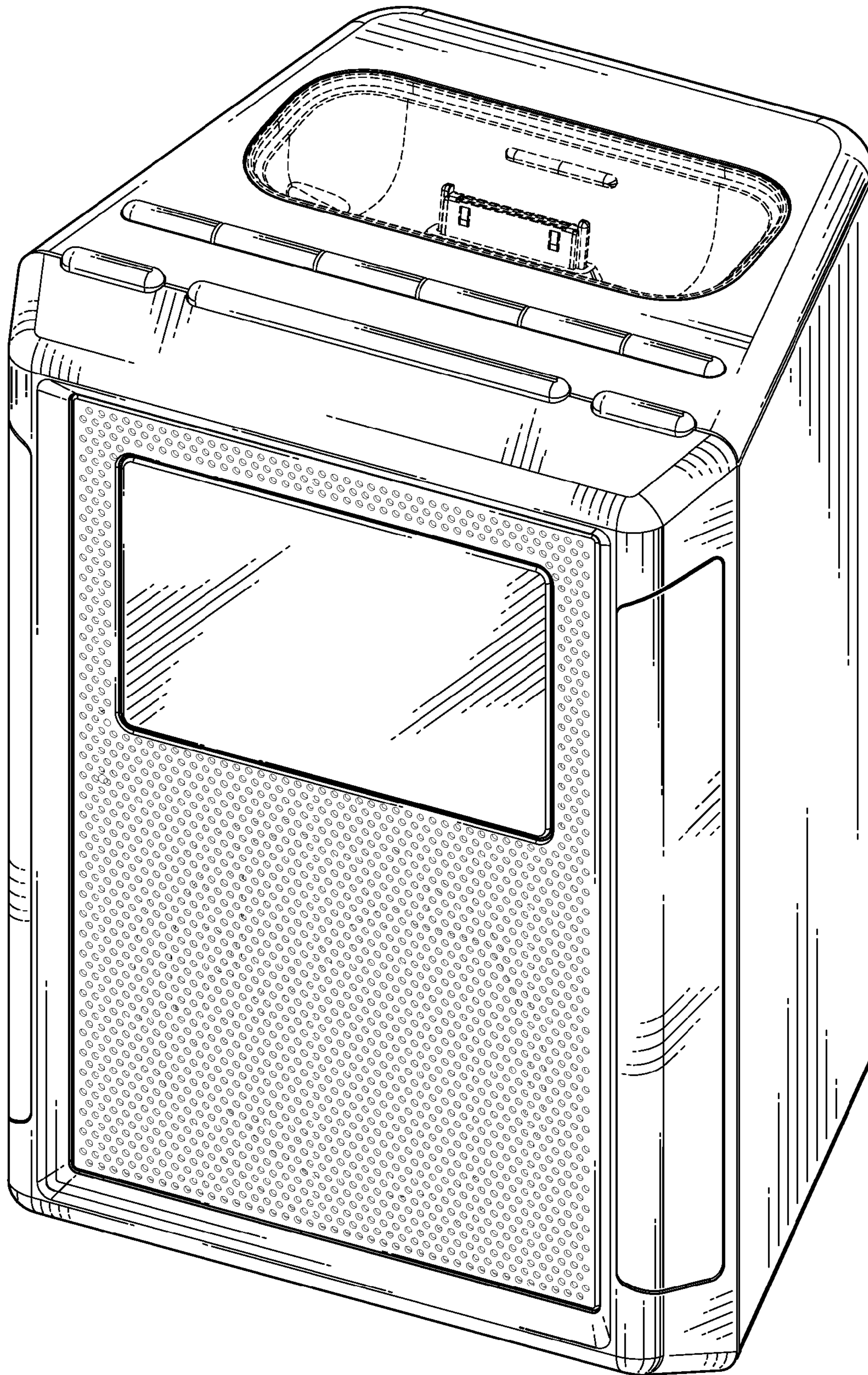


FIG. 1

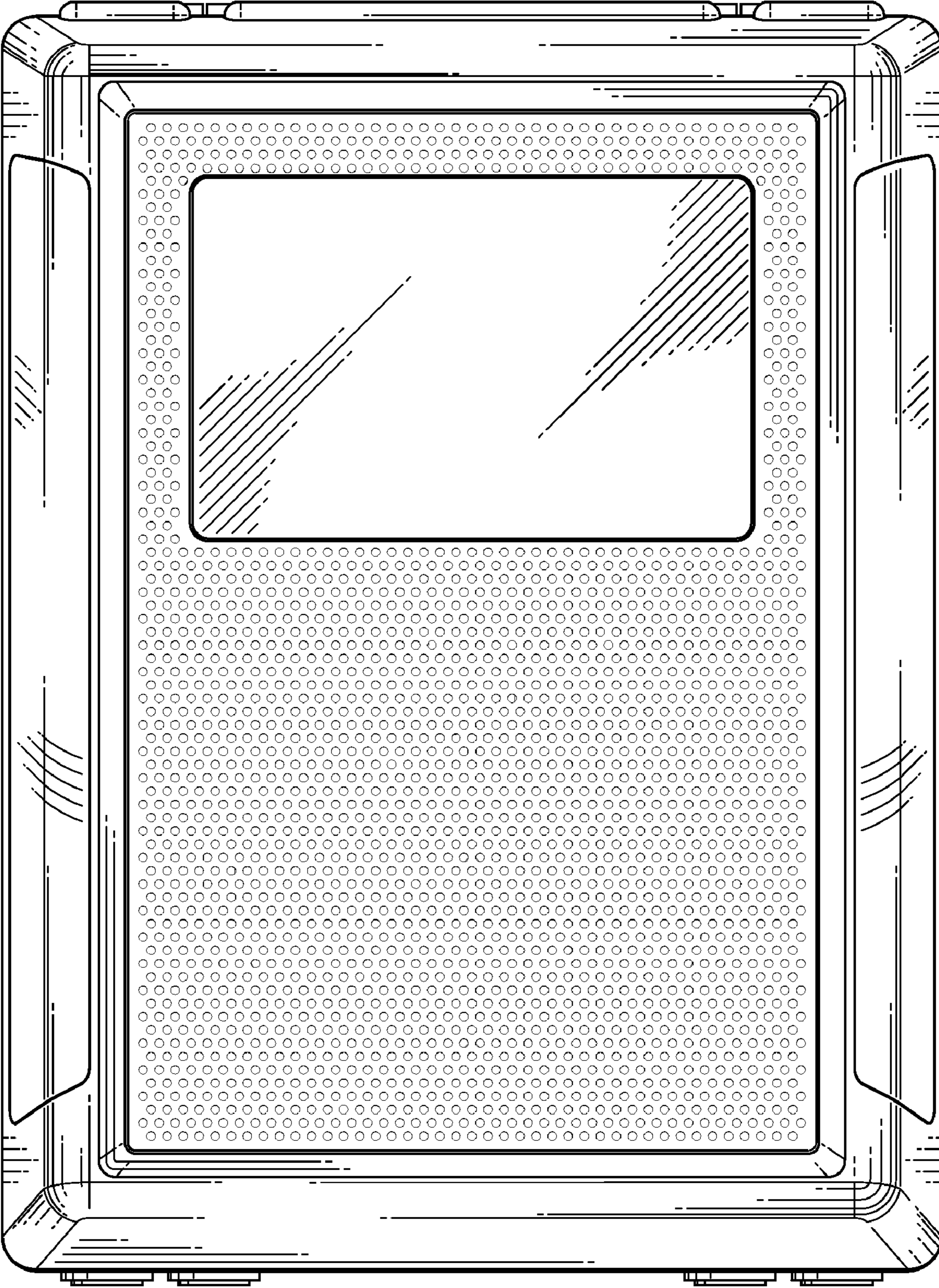


FIG. 2

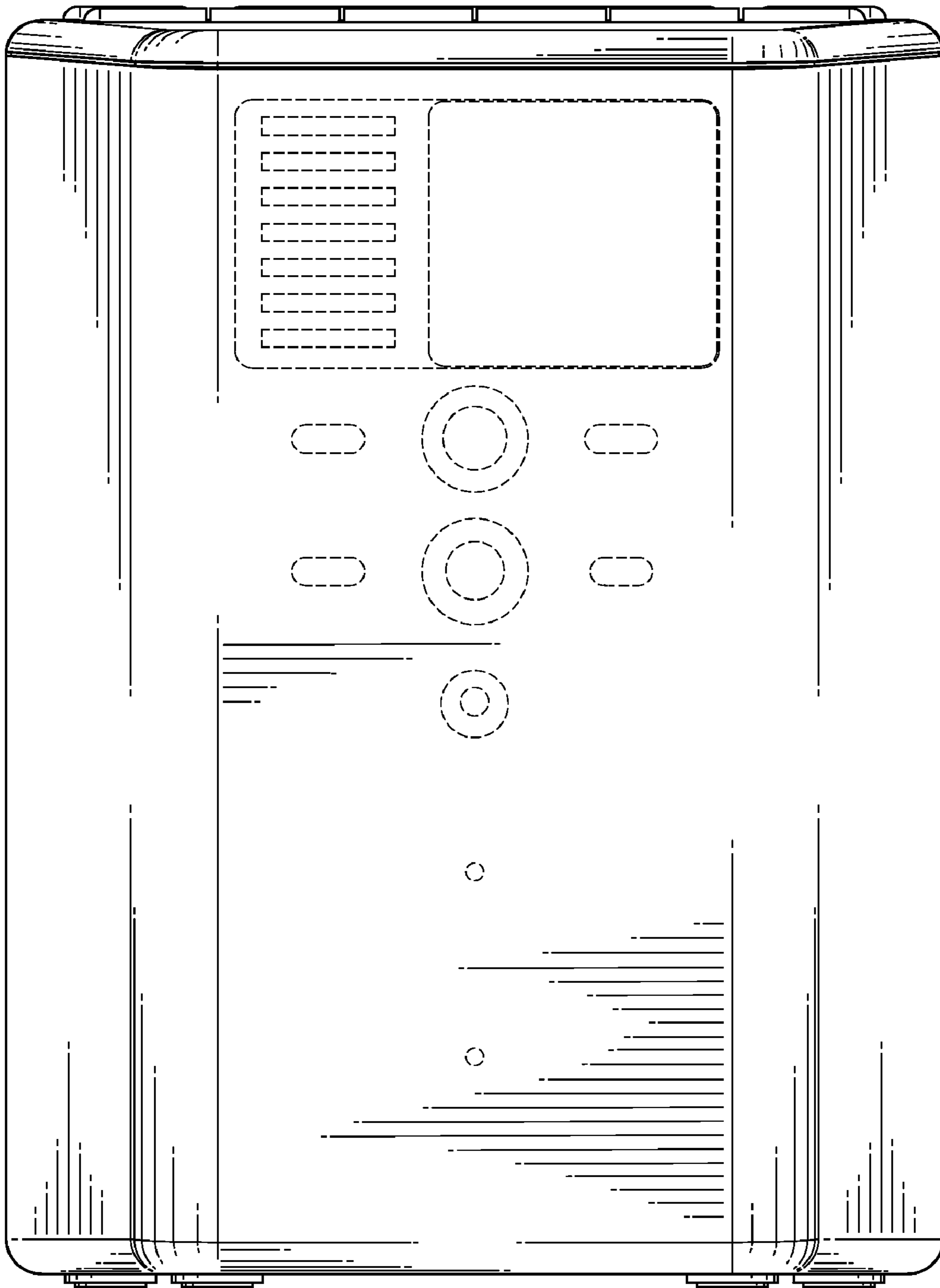


FIG. 3

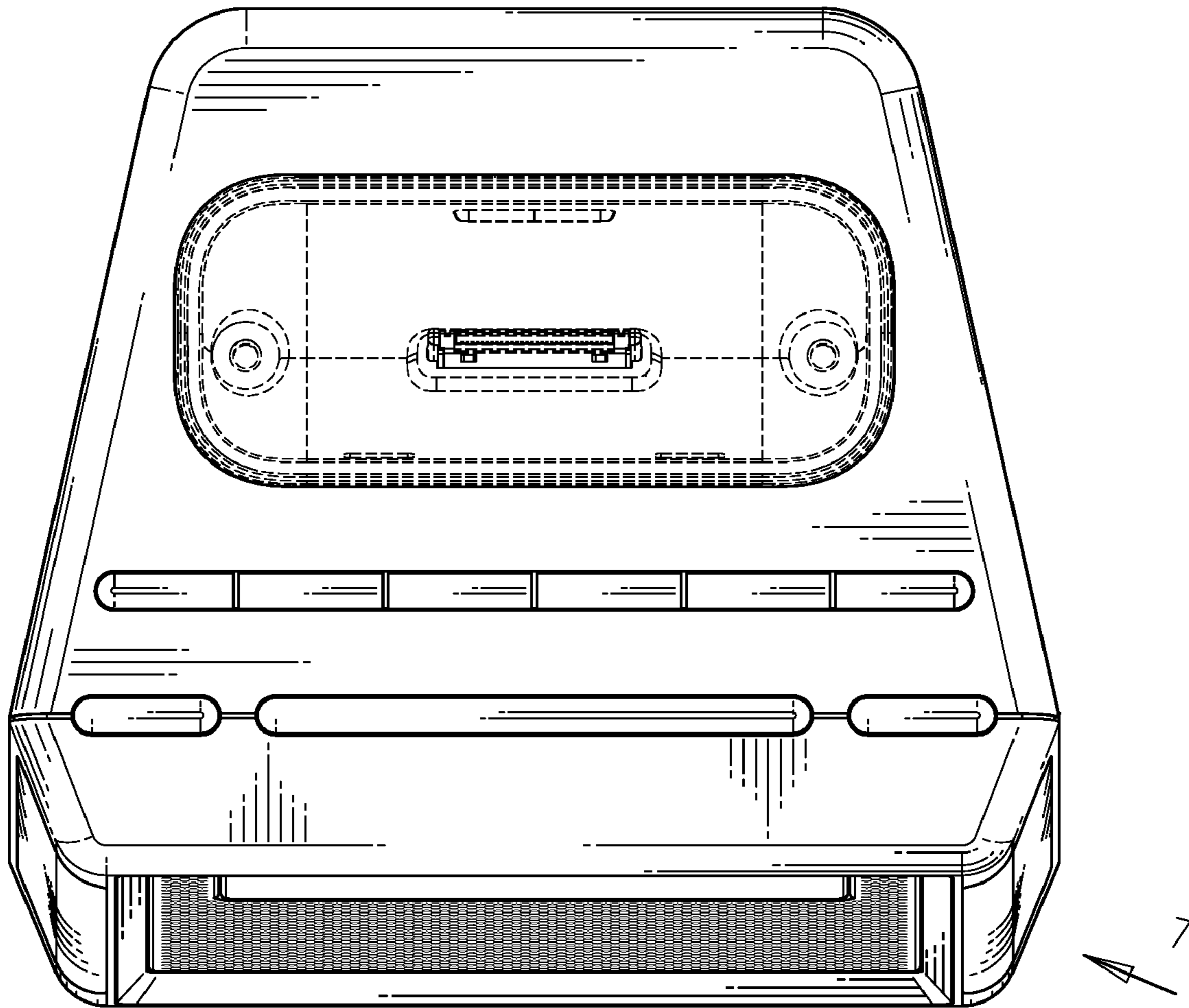


FIG. 4

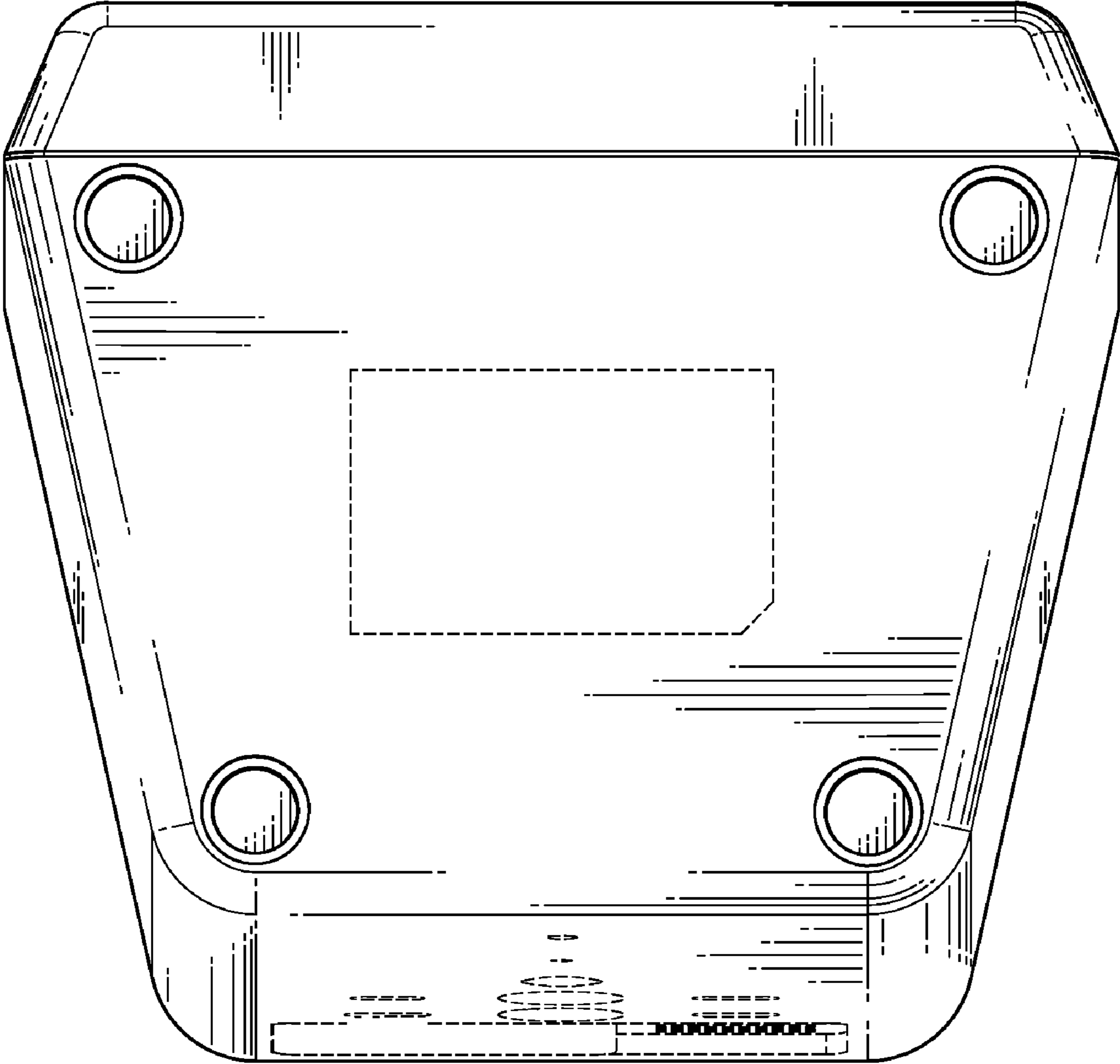


FIG. 5

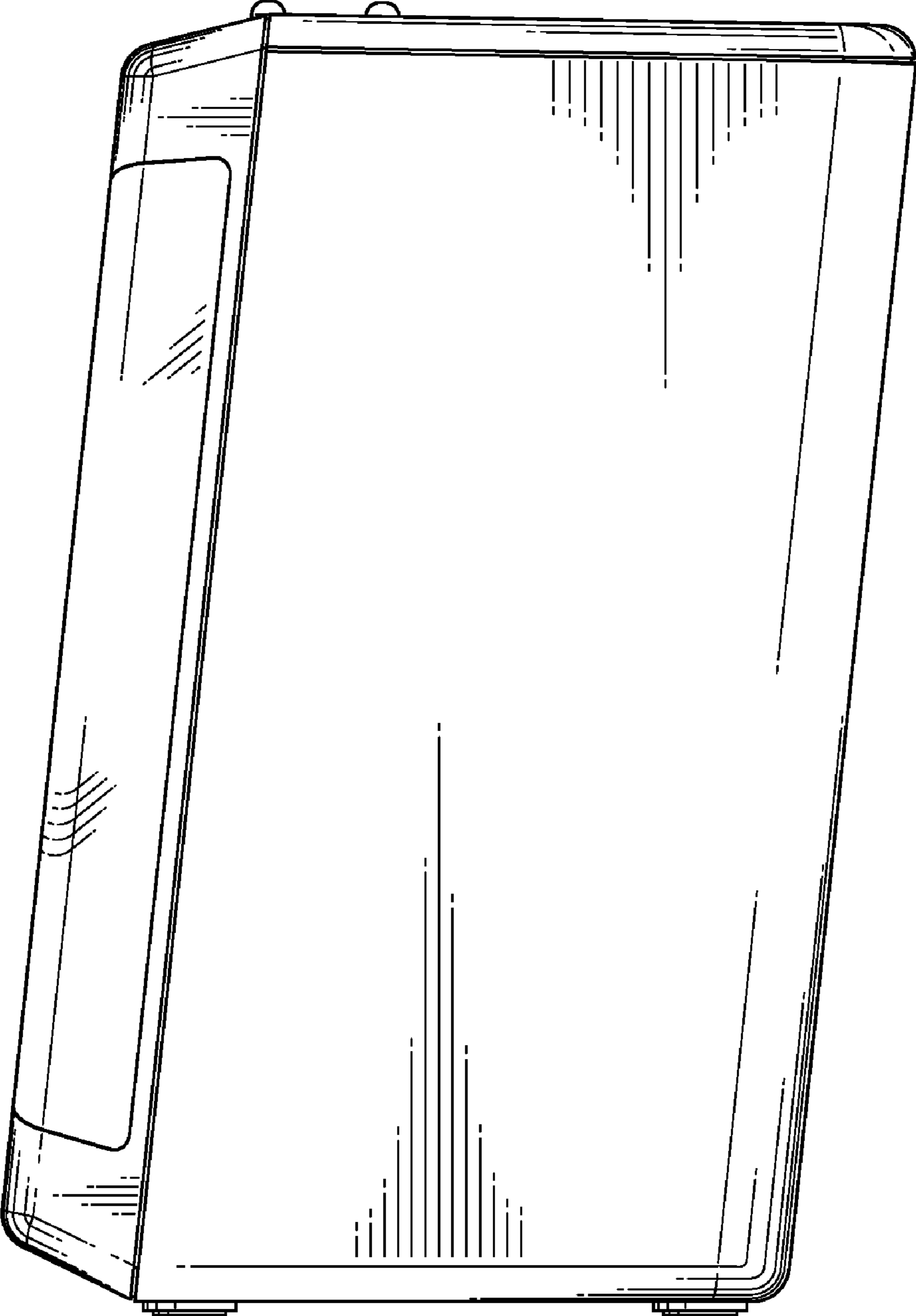


FIG. 6

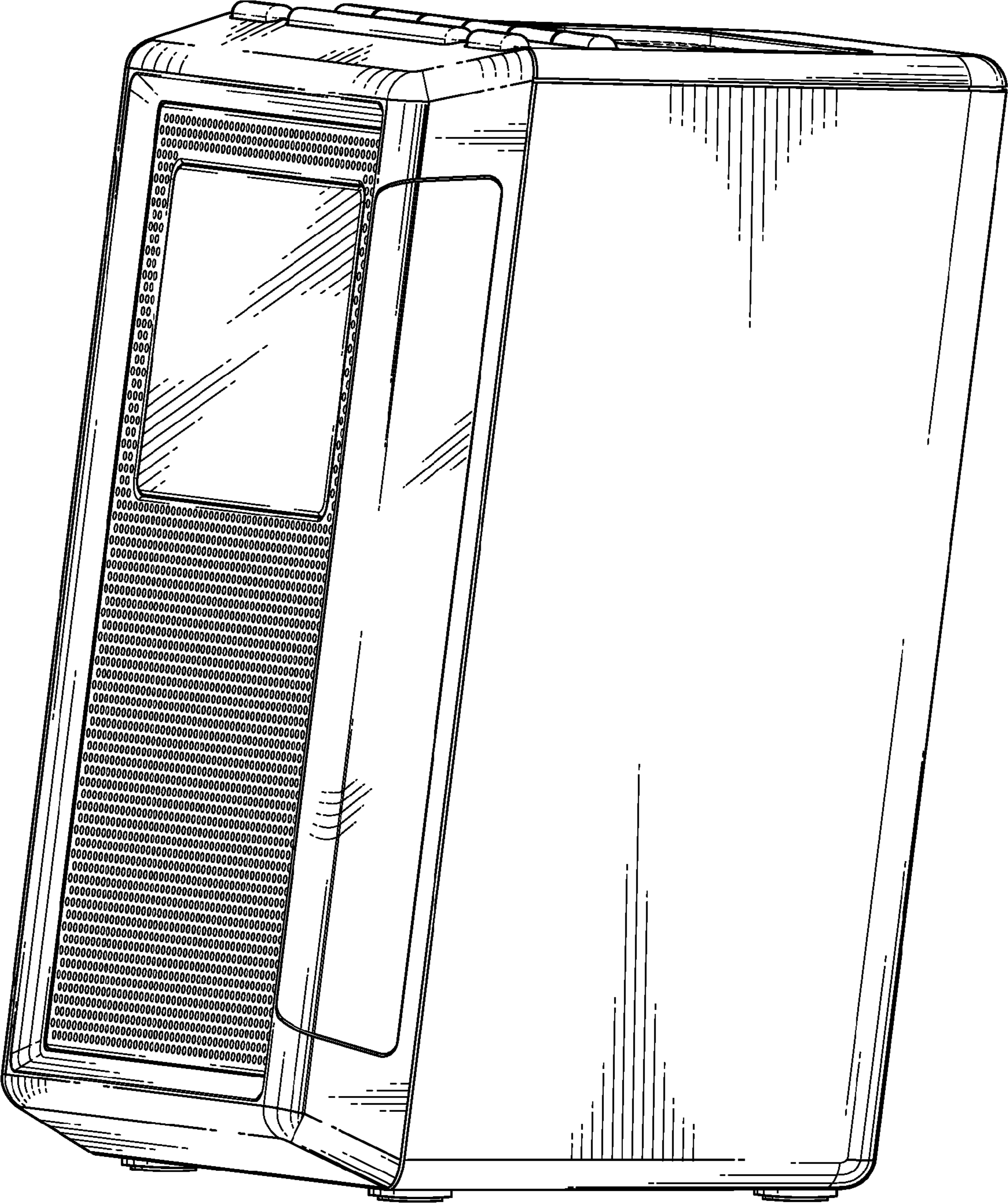


FIG. 7