

US00D616411S

(12) **United States Design Patent**
Garrett

(10) **Patent No.:** **US D616,411 S**

(45) **Date of Patent:** **** May 25, 2010**

(54) **KITCHEN MEDIA PLAYER DOCK WITH
CLOCK RADIO**

(75) Inventor: **Jennifer Elizabeth Garrett**, Ardsley, PA
(US)

(73) Assignee: **SDI Technologies, Inc.**, Rahway, NJ
(US)

(**) Term: **14 Years**

(21) Appl. No.: **29/342,225**

(22) Filed: **Aug. 20, 2009**

(51) **LOC (9) Cl.** **14-03**

(52) **U.S. Cl.** **D14/171; D10/2**

(58) **Field of Classification Search** D14/137,
D14/155, 156, 168, 170, 171, 188, 189, 193–198,
D14/203.1–203.8, 204, 208, 209.1, 210, 212,
D14/214, 217, 496; D10/2; 312/7.1; 369/6–12;
370/342–344; 455/90.1–90.3, 344–355
See application file for complete search history.

(56) **References Cited**

U.S. PATENT DOCUMENTS

D239,393 S *	3/1976	DeLand	D14/218
D546,348 S *	7/2007	Yuyama	D14/496
D550,650 S *	9/2007	Patel et al.	D14/214
D552,080 S *	10/2007	Langberg et al.	D14/217
D558,737 S *	1/2008	Poandl	D14/172
D565,594 S *	4/2008	Poandl	D14/496
D577,002 S *	9/2008	Kurihara	D14/171
D577,710 S *	9/2008	Joseph	D14/204
D579,025 S *	10/2008	Liu	D14/496
D581,903 S *	12/2008	Joseph	D14/214

* cited by examiner

Primary Examiner—Stella M Reid

Assistant Examiner—Keli L Hill

(74) *Attorney, Agent, or Firm*—Ostrolenk Faber LLP

(57) **CLAIM**

The ornamental design for a kitchen media player dock with clock radio, as shown and described.

DESCRIPTION

FIG. 1 is a front, perspective view in a first, open condition of a kitchen media player dock with clock radio showing my new design;

FIG. 2 is a front view thereof;

FIG. 3 is a rear view thereof;

FIG. 4 is a top view thereof;

FIG. 5 is a bottom view thereof;

FIG. 6 is a side view thereof, the opposite side view being a mirror image;

FIG. 7 is a front, perspective view thereof in a second, closed condition;

FIG. 8 is a front view thereof;

FIG. 9 is a rear view thereof;

FIG. 10 is a top view thereof;

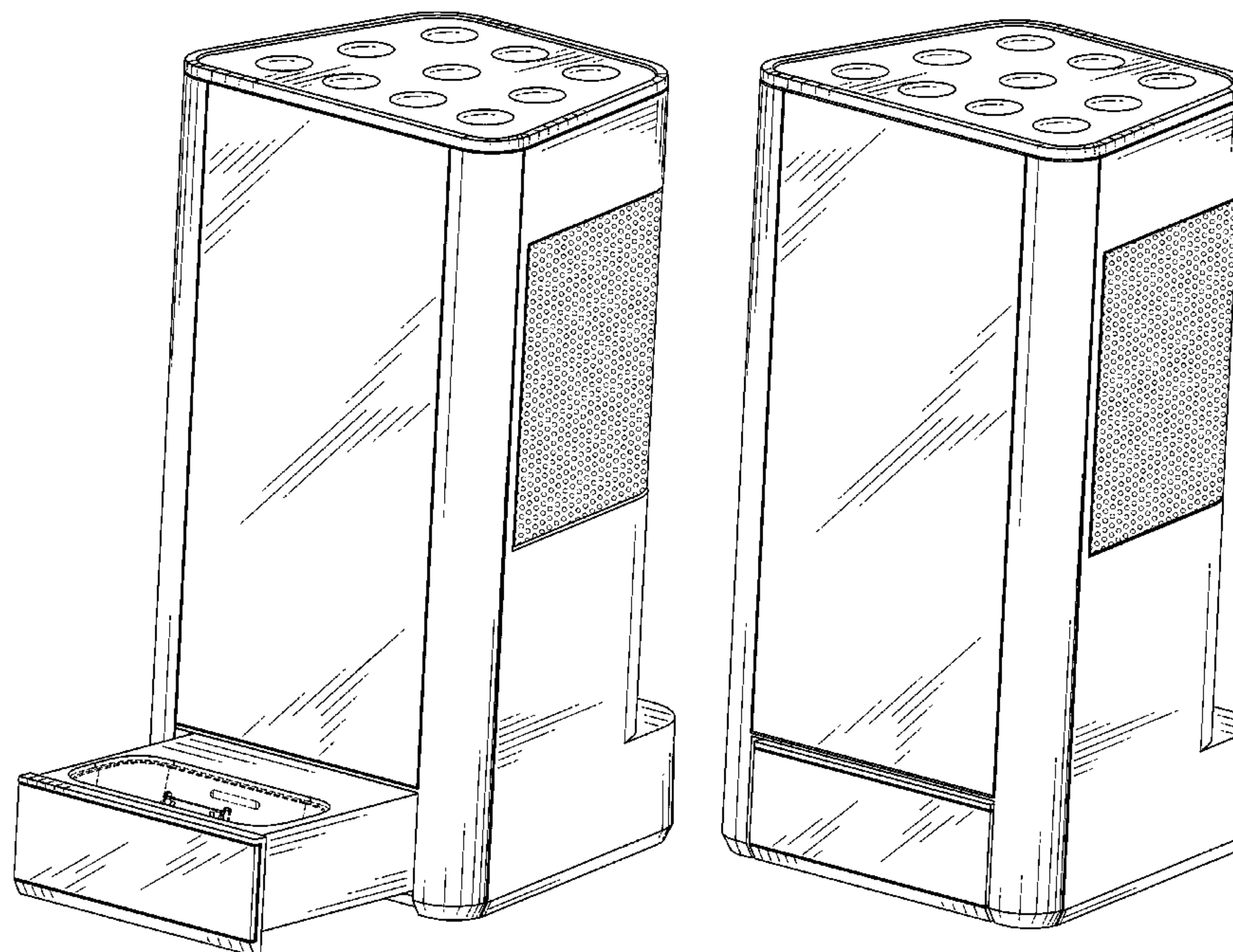
FIG. 11 is a bottom view thereof;

FIG. 12 is a side view thereof, the opposite side view being a mirror image; and,

FIG. 13 is a partial, cross sectional view thereof at the arrows 13—13 in FIG. 8.

The broken lines in the drawings illustrate environmental material that forms no part of the claimed design.

1 Claim, 13 Drawing Sheets



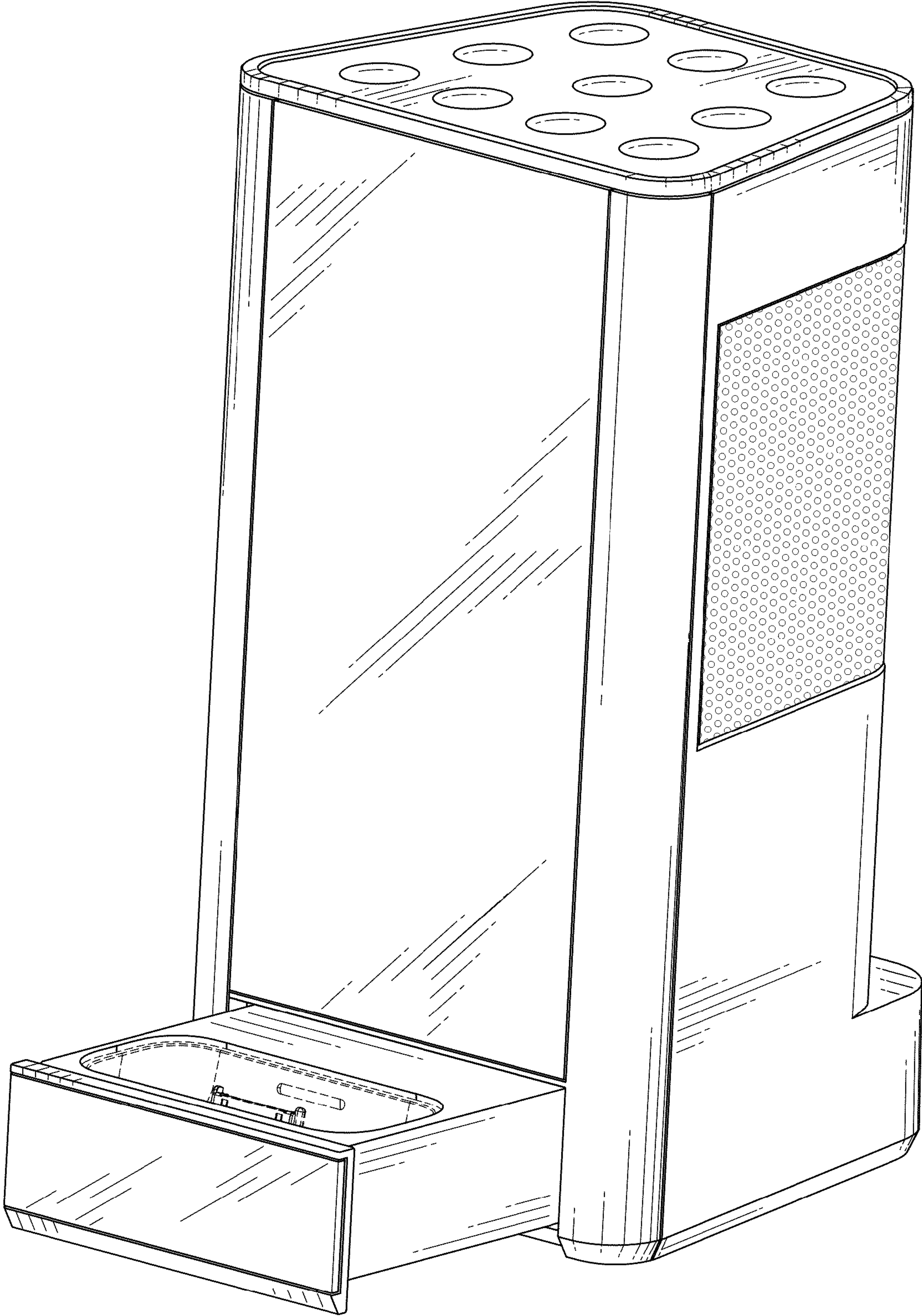


FIG. 1

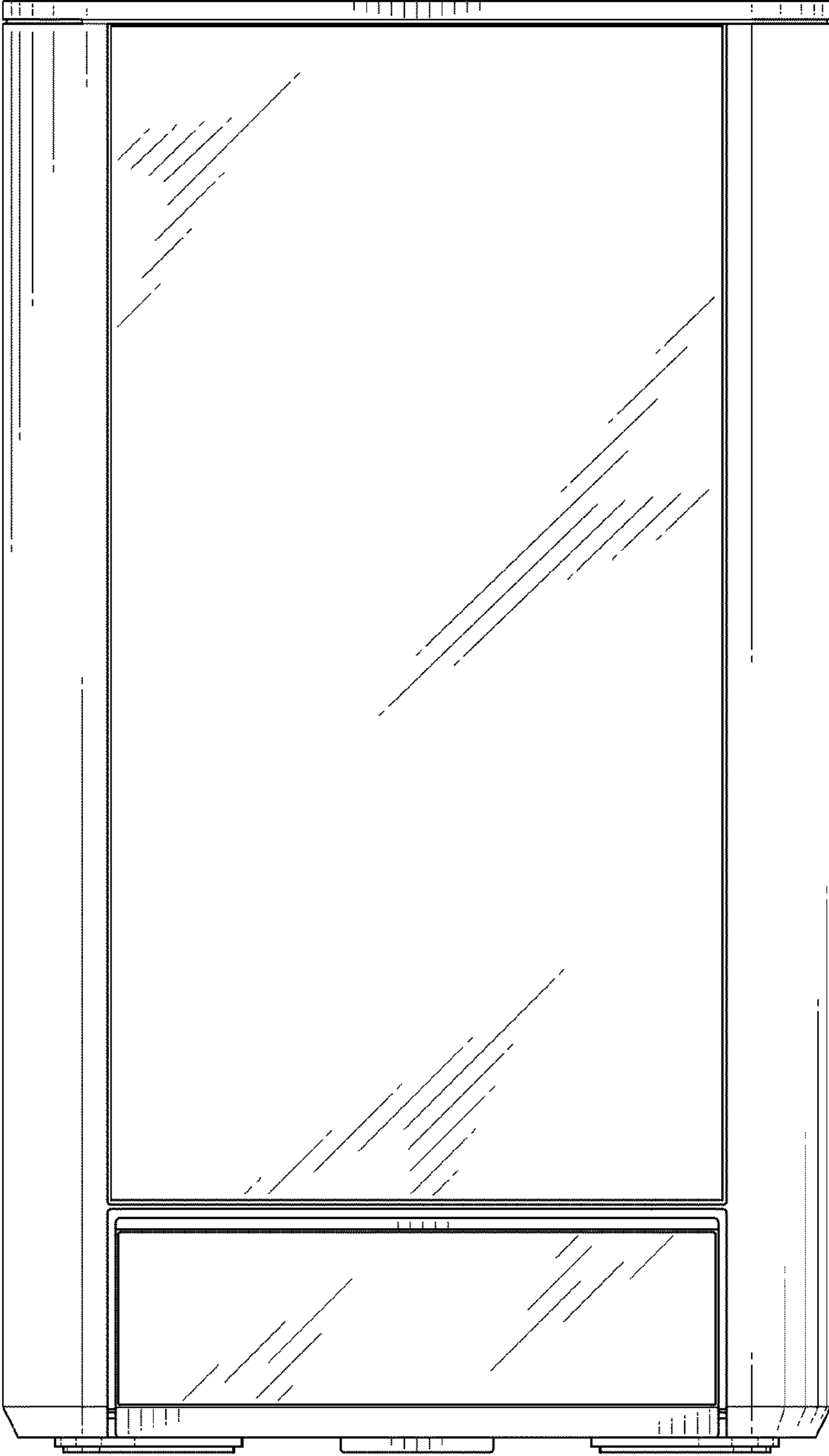


FIG. 2

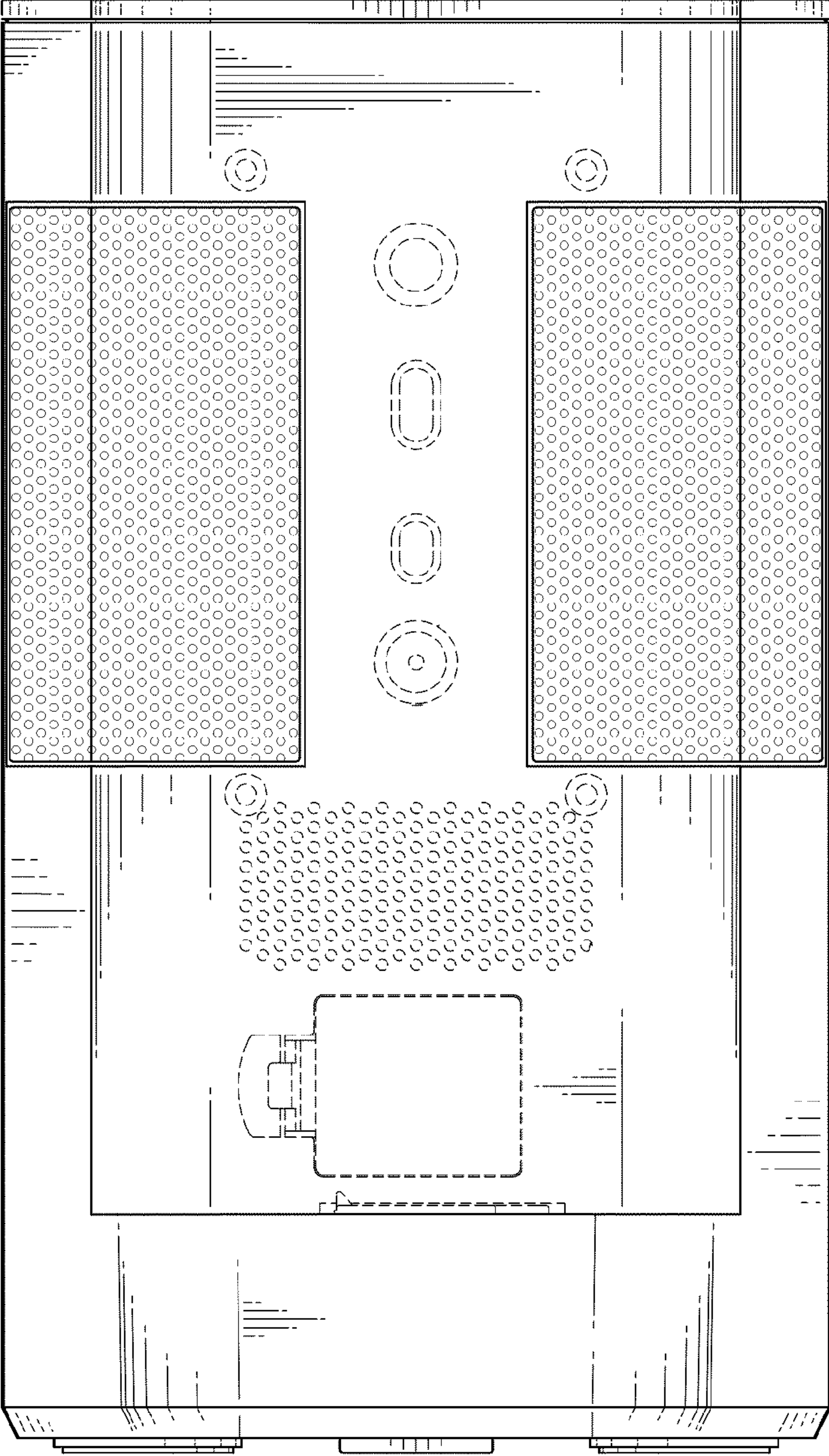


FIG. 3

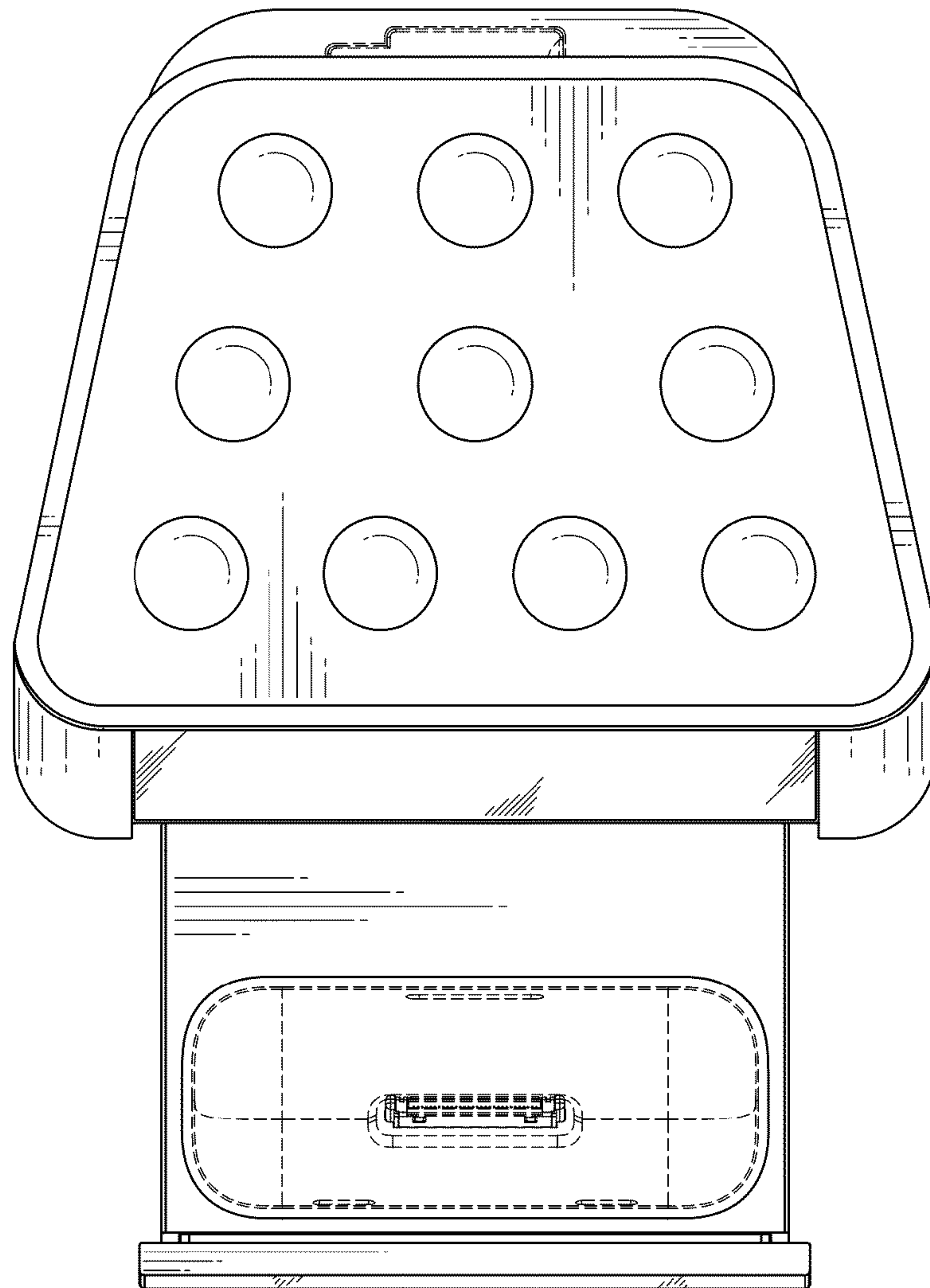


FIG. 4

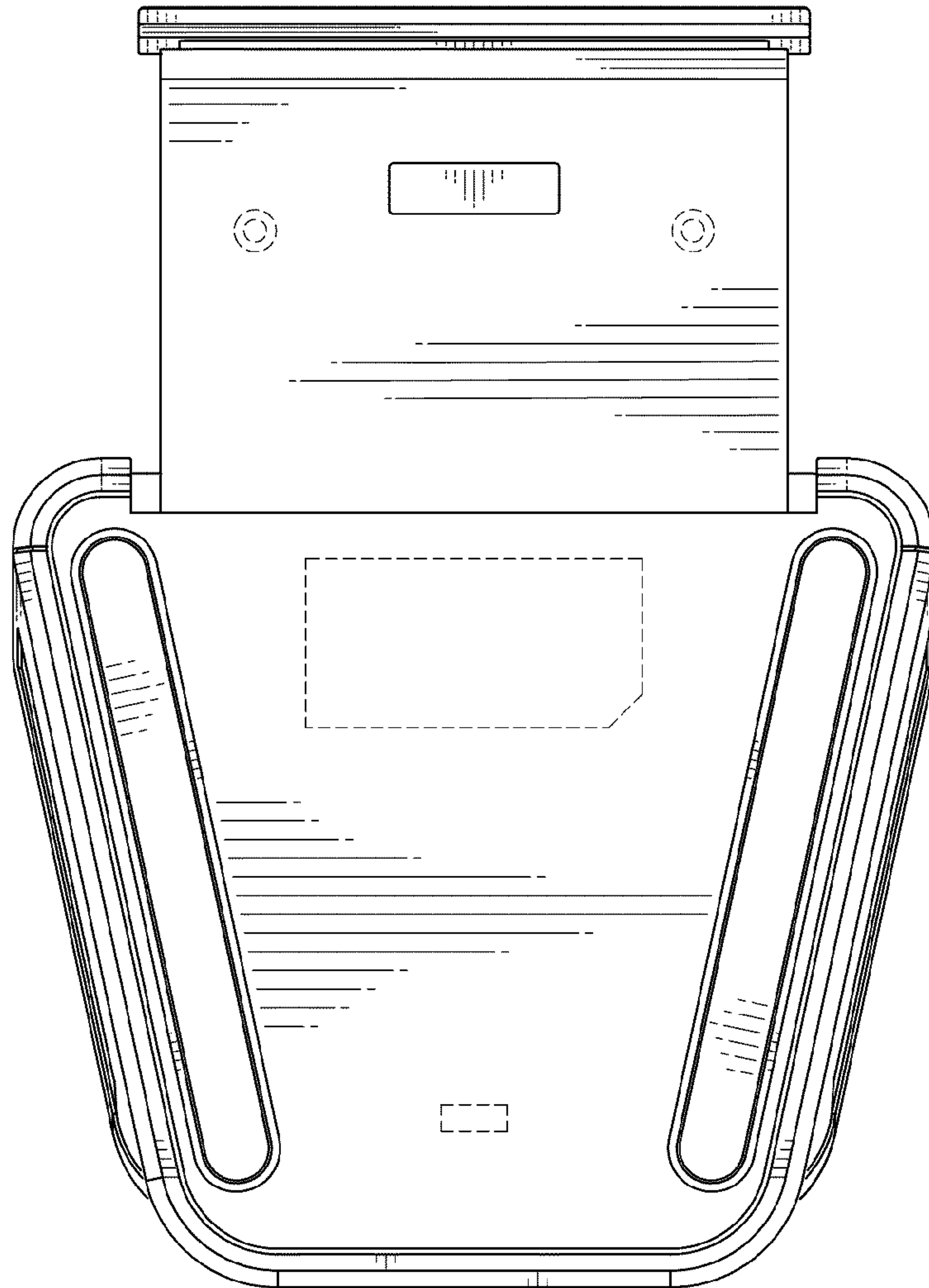


FIG. 5

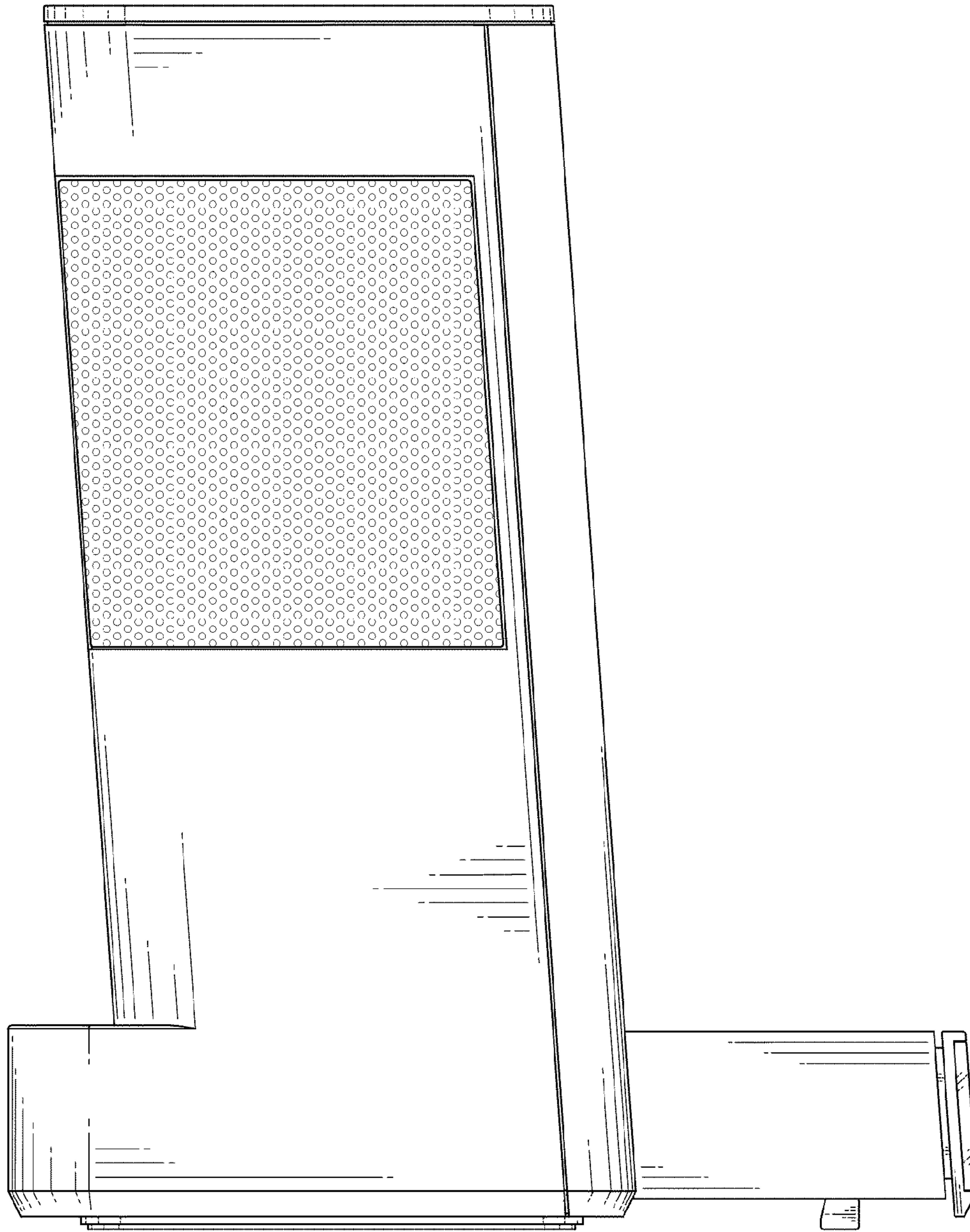


FIG. 6

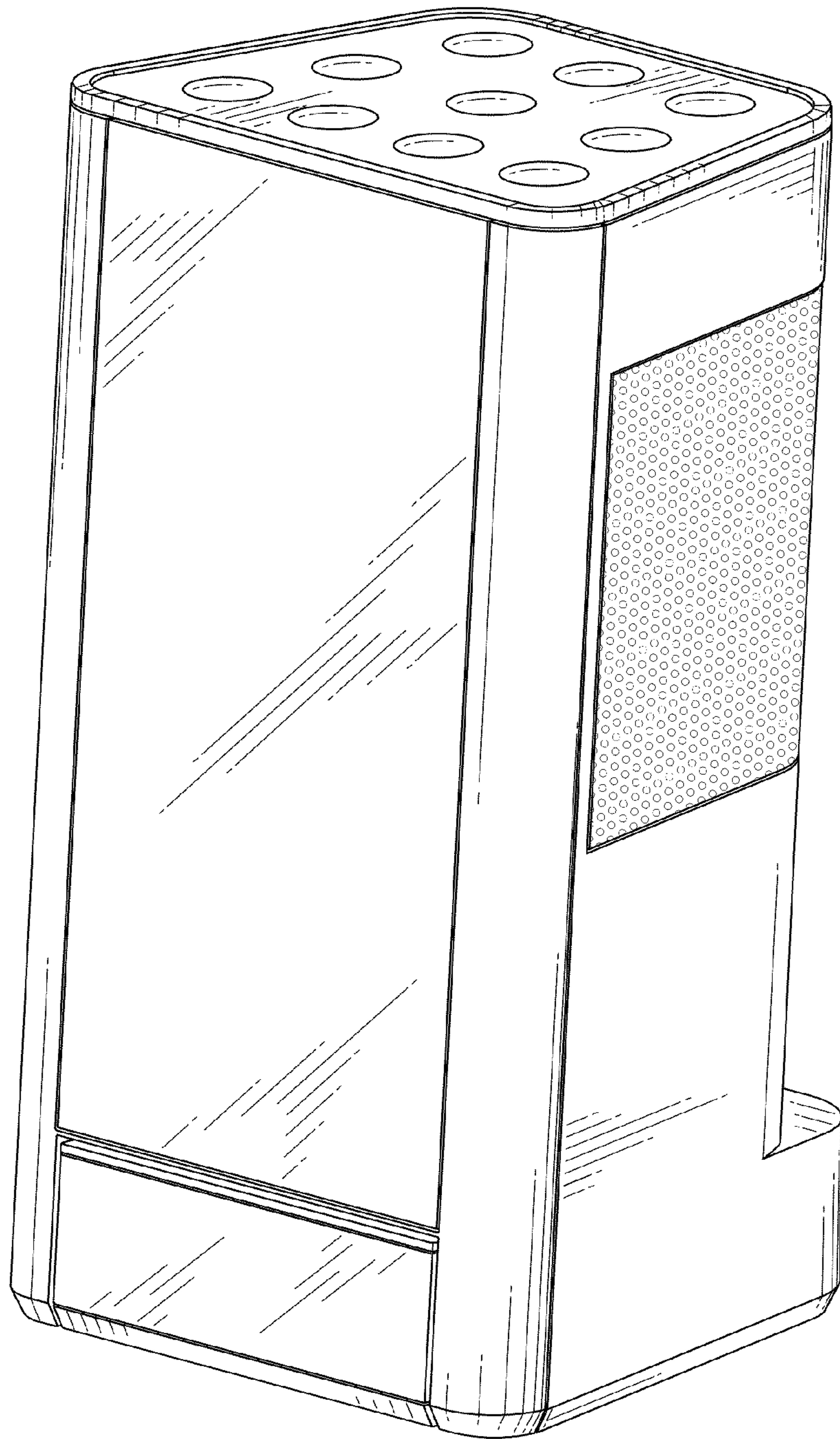


FIG. 7

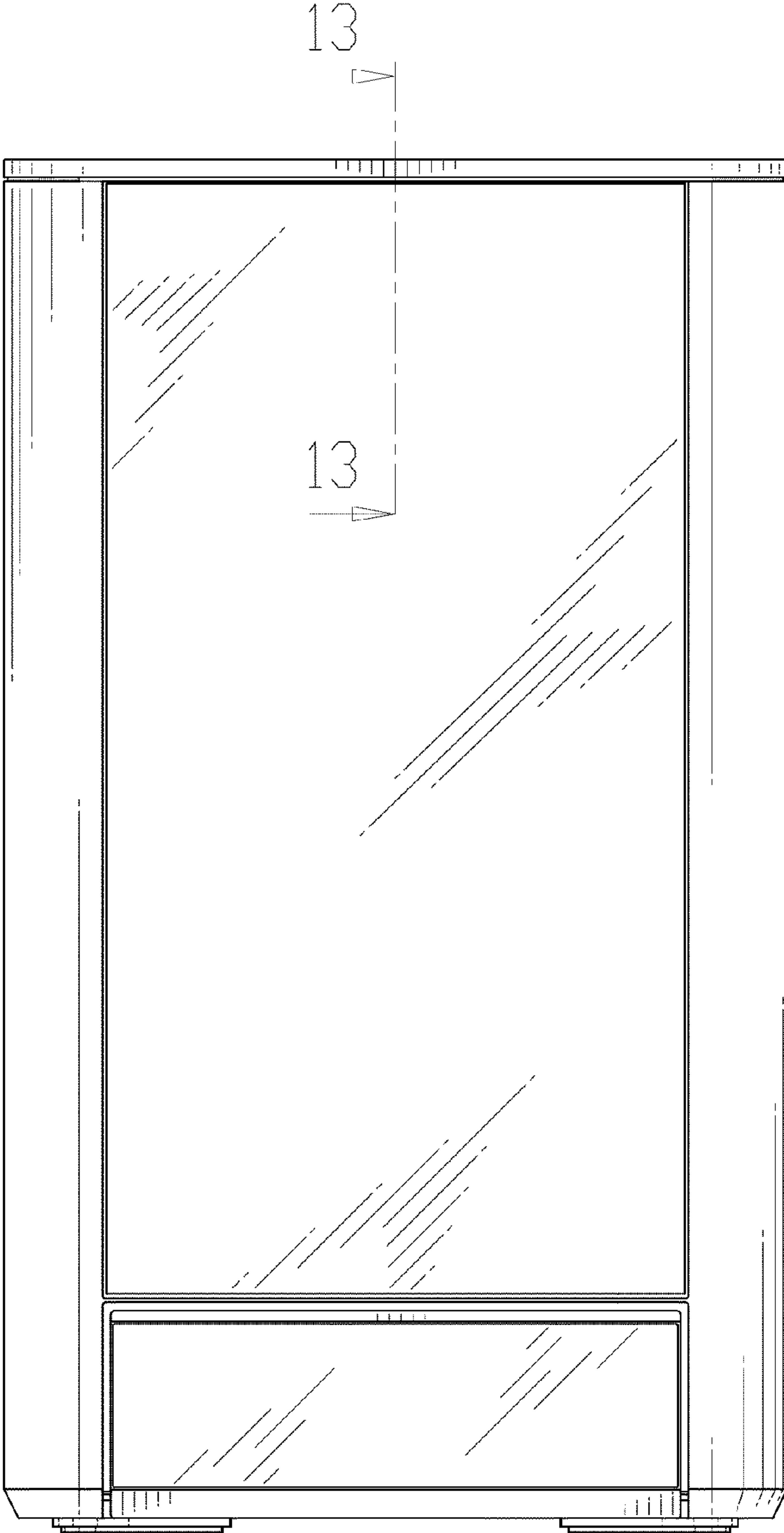


FIG. 8

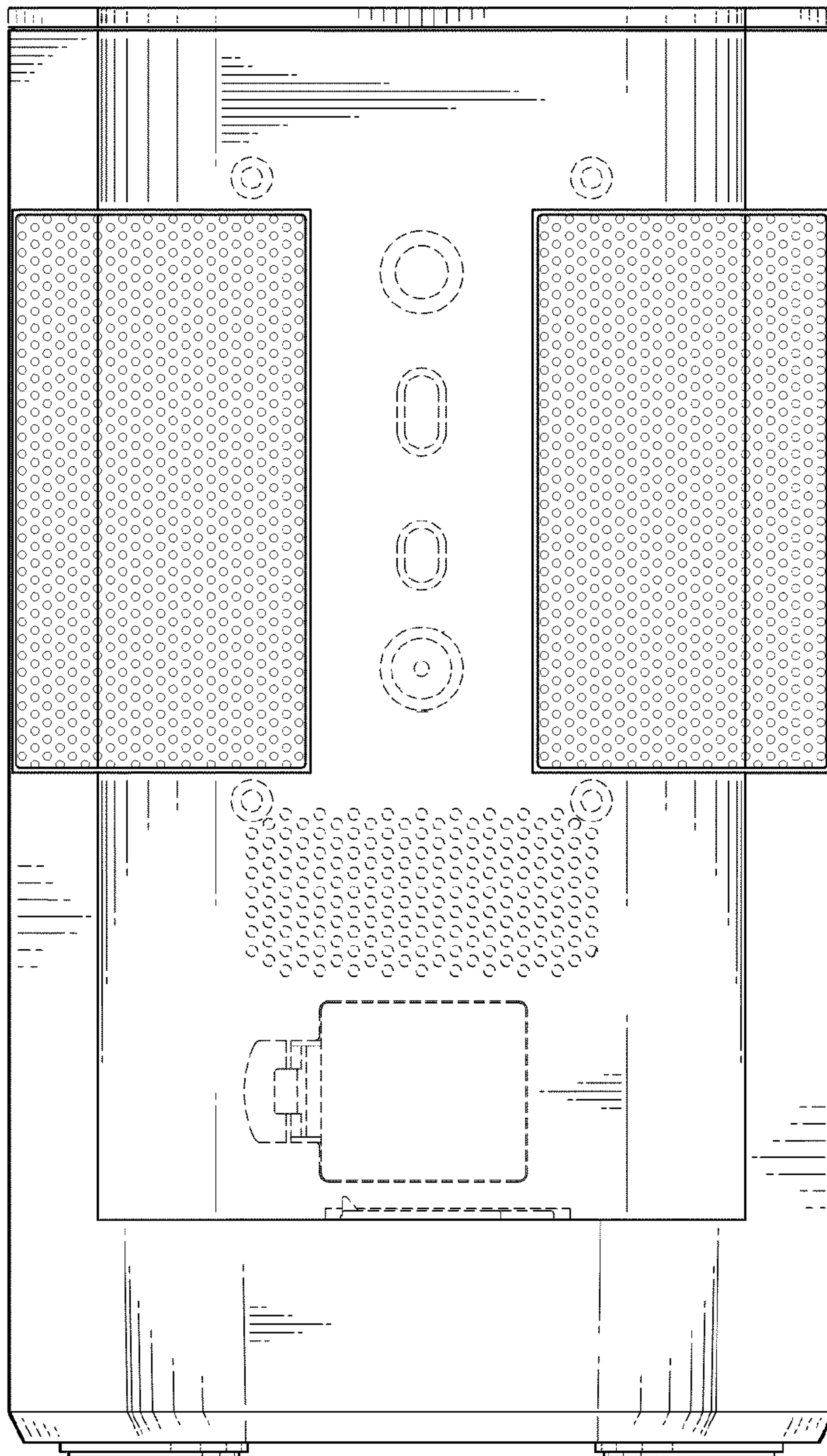


FIG. 9

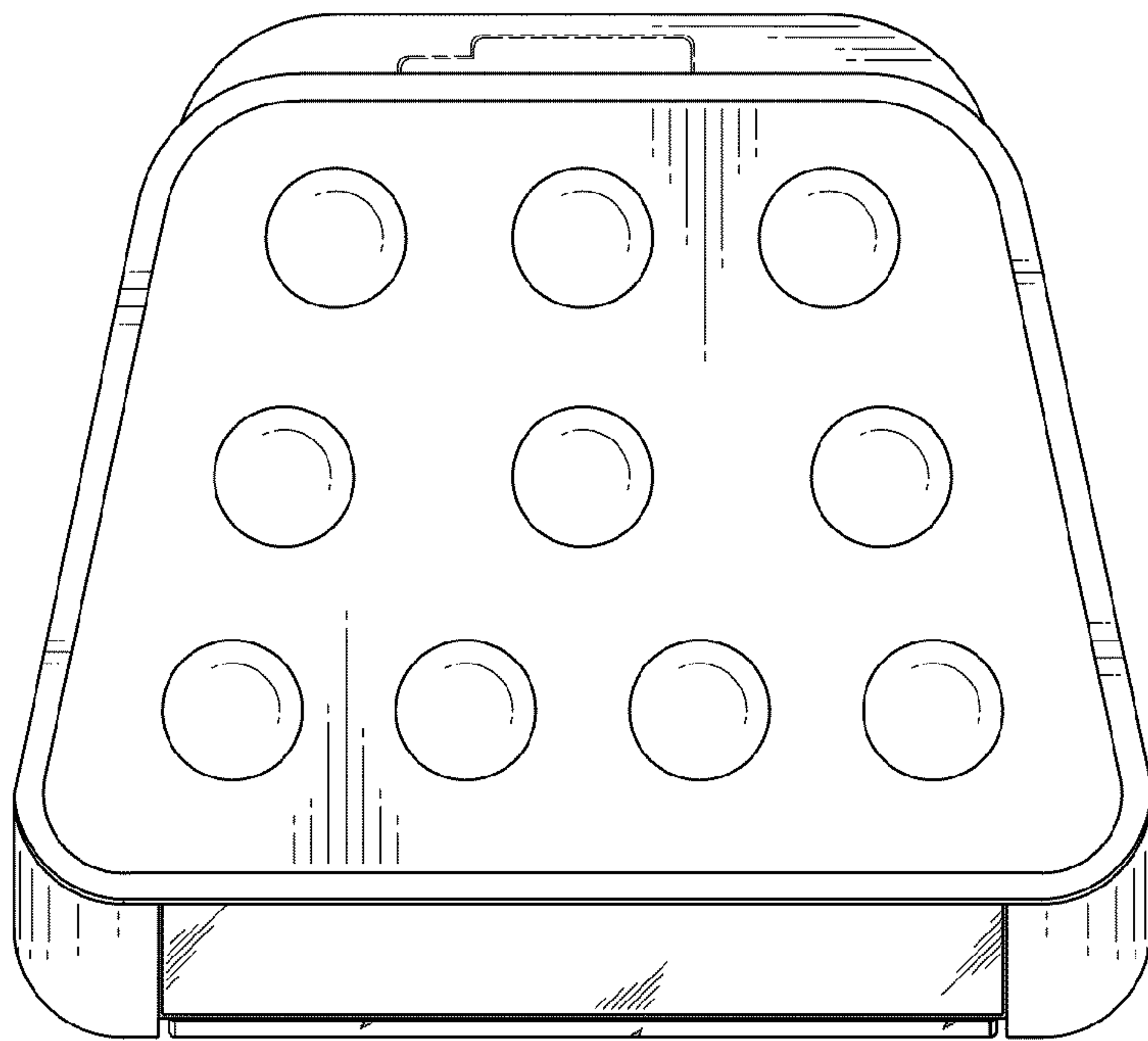


FIG.10

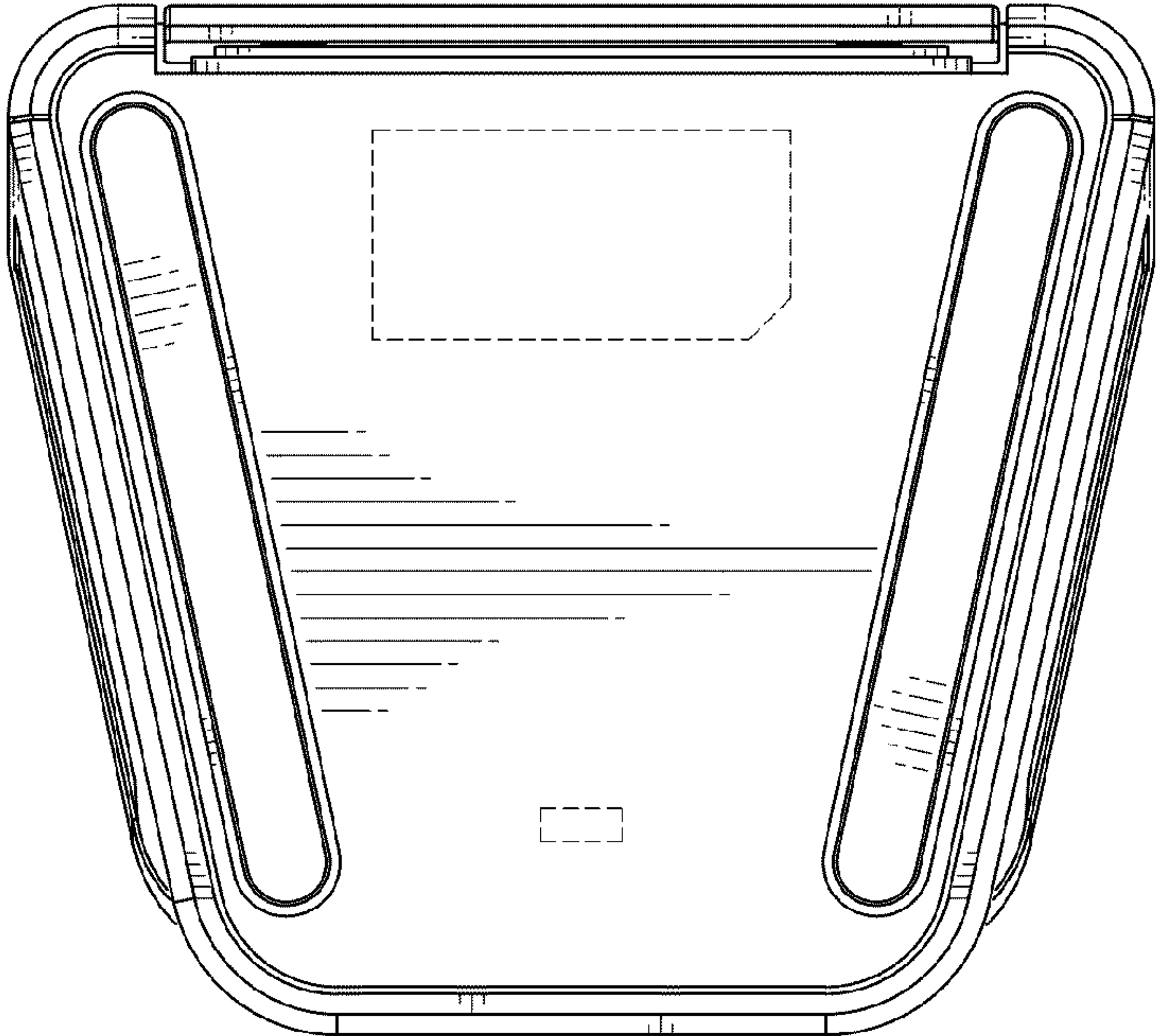


FIG. 11

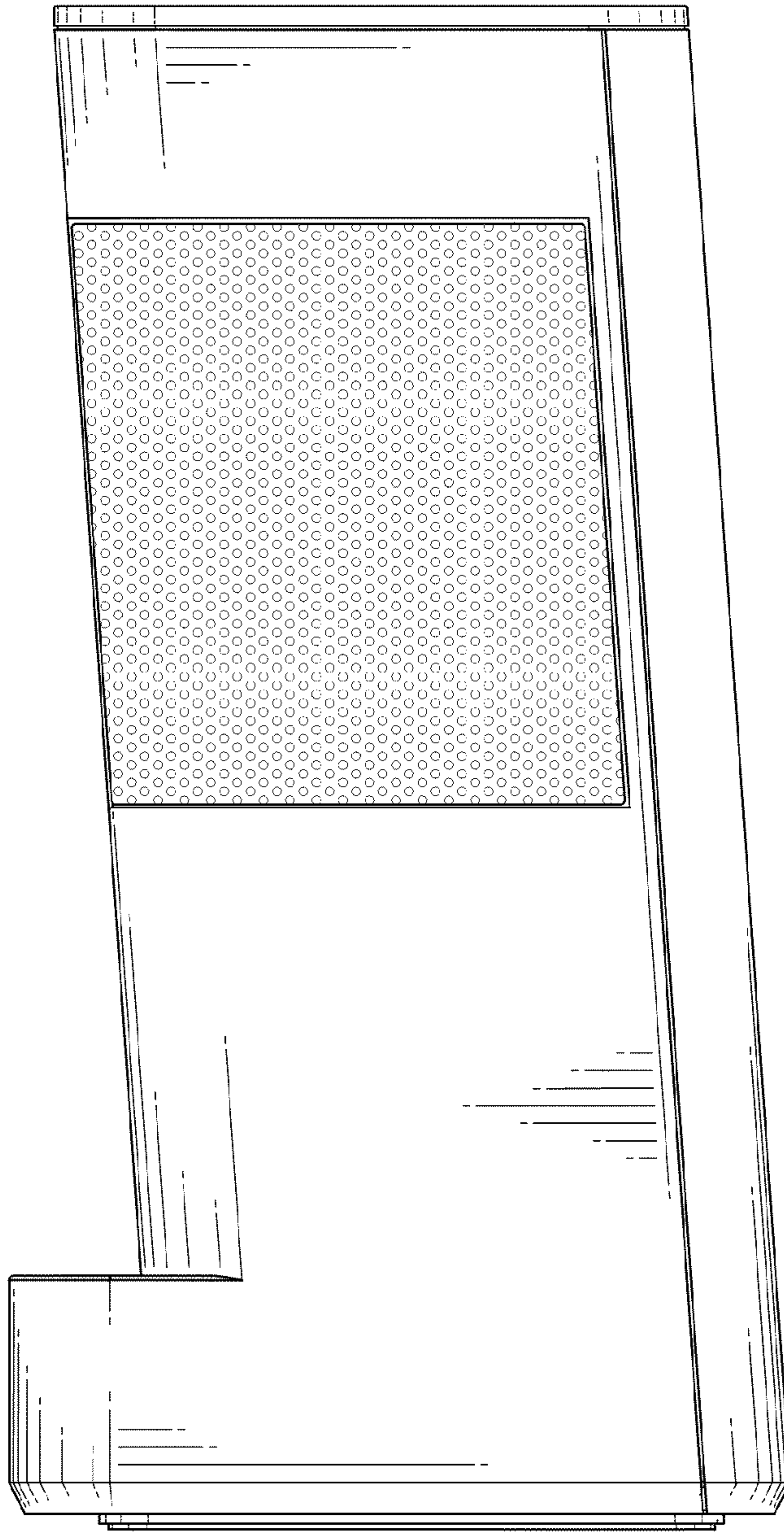


FIG. 12

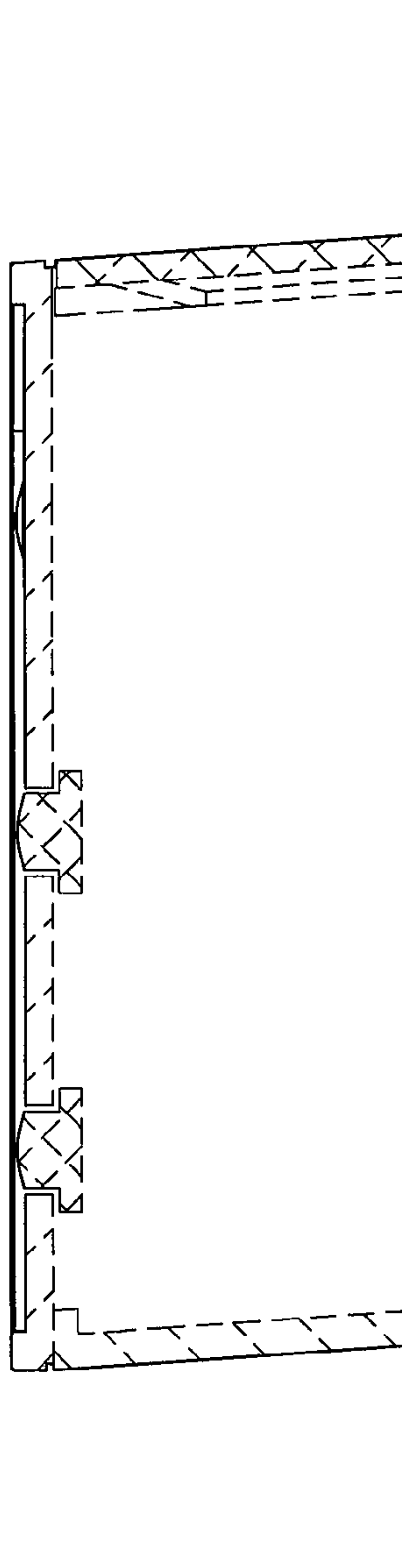


FIG. 13