



US00D616410S

(12) **United States Design Patent**  
**Sonoda et al.**

(10) **Patent No.:** **US D616,410 S**  
(45) **Date of Patent:** **\*\* May 25, 2010**

(54) **DIGITAL AUDIO DISK PLAYER WITH MIXING FUNCTIONS**

JP	S-1062032	2/2000
JP	S-1118940	8/2001
JP	S-1215807	8/2004
JP	S-1328581	4/2008

(75) Inventors: **Toshiyuki Sonoda**, Meguro (JP);  
**Takekazu Iijima**, Meguro (JP)

(73) Assignee: **Pioneer Kabushiki Kaisha**, Tokyo (JP)

(\*\*) Term: **14 Years**

(21) Appl. No.: **29/347,208**

(22) Filed: **Oct. 26, 2009**

(30) **Foreign Application Priority Data**

May 15, 2009 (JP) ..... 2009-010836

(51) **LOC (9) Cl.** ..... **14-01**

(52) **U.S. Cl.** ..... **D14/168**

(58) **Field of Classification Search** ..... D14/496,  
D14/498-511, 162, 168, 188, 217; 360/99.02,  
360/99.07; 369/75.11, 75.21, 77.11, 77.21;  
720/601, 612, 619, 649, 655; 455/344, 347-351  
See application file for complete search history.

(56) **References Cited**

**U.S. PATENT DOCUMENTS**

D349,290	S	*	8/1994	Christensen et al.	.....	D14/217
D496,922	S	*	10/2004	Kimura	.....	D14/500
D512,409	S	*	12/2005	Ishizaki	.....	D14/168
D512,706	S	*	12/2005	Nakane et al.	.....	D14/507
D553,118	S	*	10/2007	Williamson et al.	.....	D14/168
D583,798	S	*	12/2008	Iijima et al.	.....	D14/168

**FOREIGN PATENT DOCUMENTS**

JP S-1054679 11/1999

**OTHER PUBLICATIONS**

Professional Series CDJ-1000 Brochure, The Professional CD Player, 2001.  
Pioneer; DJ-CD Player/DJ Mixer/Effecter, Pioneer DJ Series for DJ's Brochure, 1998, pp. 1,5, and 7.  
Pioneer Pro DJ Series Brochure, 2008, pp. 8, 18,20,28,30, and 31.

\* cited by examiner

*Primary Examiner*—Nanda Bondade

(74) *Attorney, Agent, or Firm*—Oliff & Berridge, PLC

(57) **CLAIM**

The ornamental design for a digital audio disk player with mixing functions, as shown and described.

**DESCRIPTION**

FIG. 1 is a perspective view of a digital audio disk player with mixing functions;

FIG. 2 is a top view thereof;

FIG. 3 is a bottom view thereof;

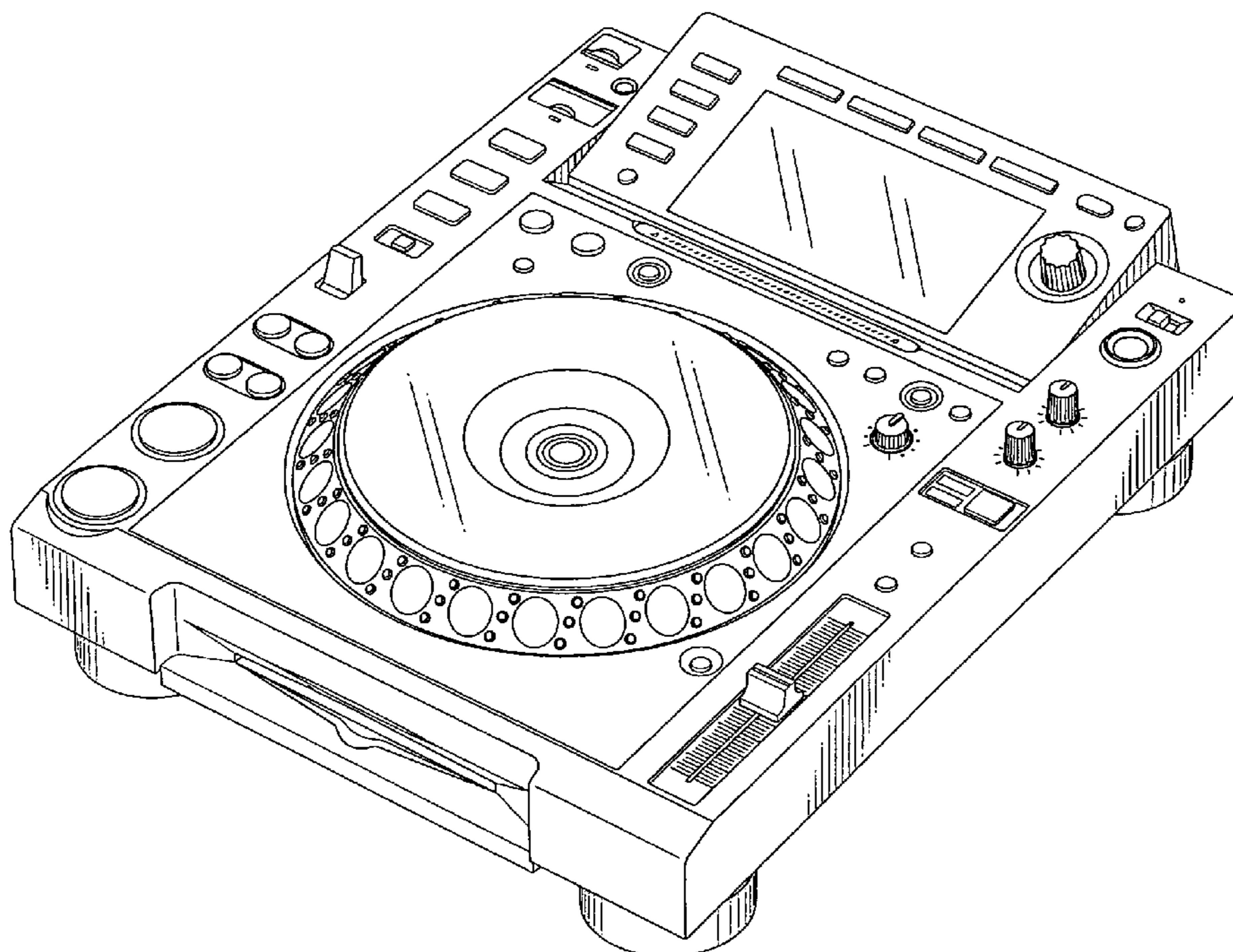
FIG. 4 is a left-side view thereof;

FIG. 5 is a right-side view thereof;

FIG. 6 is a rear view thereof; and,

FIG. 7 is a front view thereof.

**1 Claim, 7 Drawing Sheets**



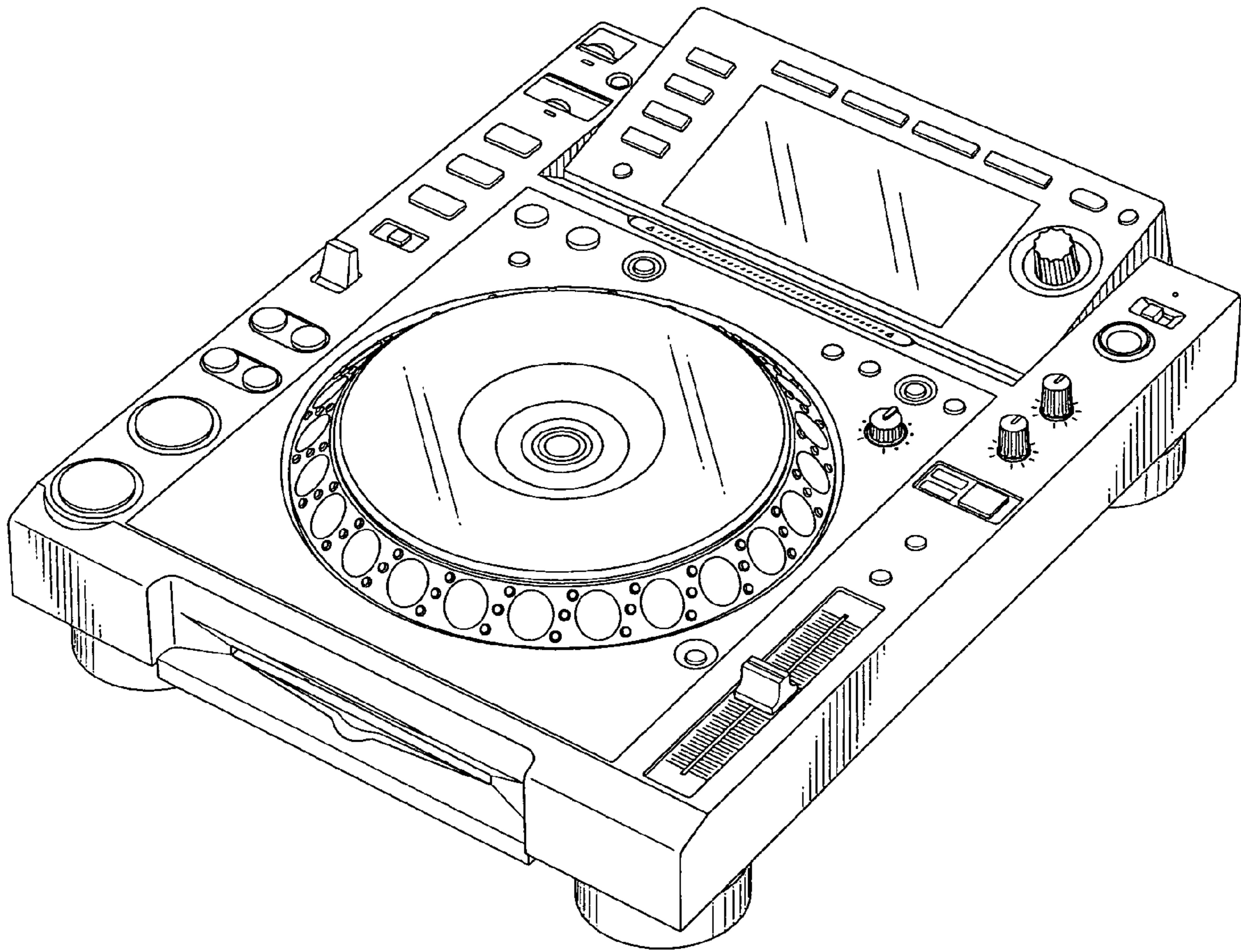


FIG. 1

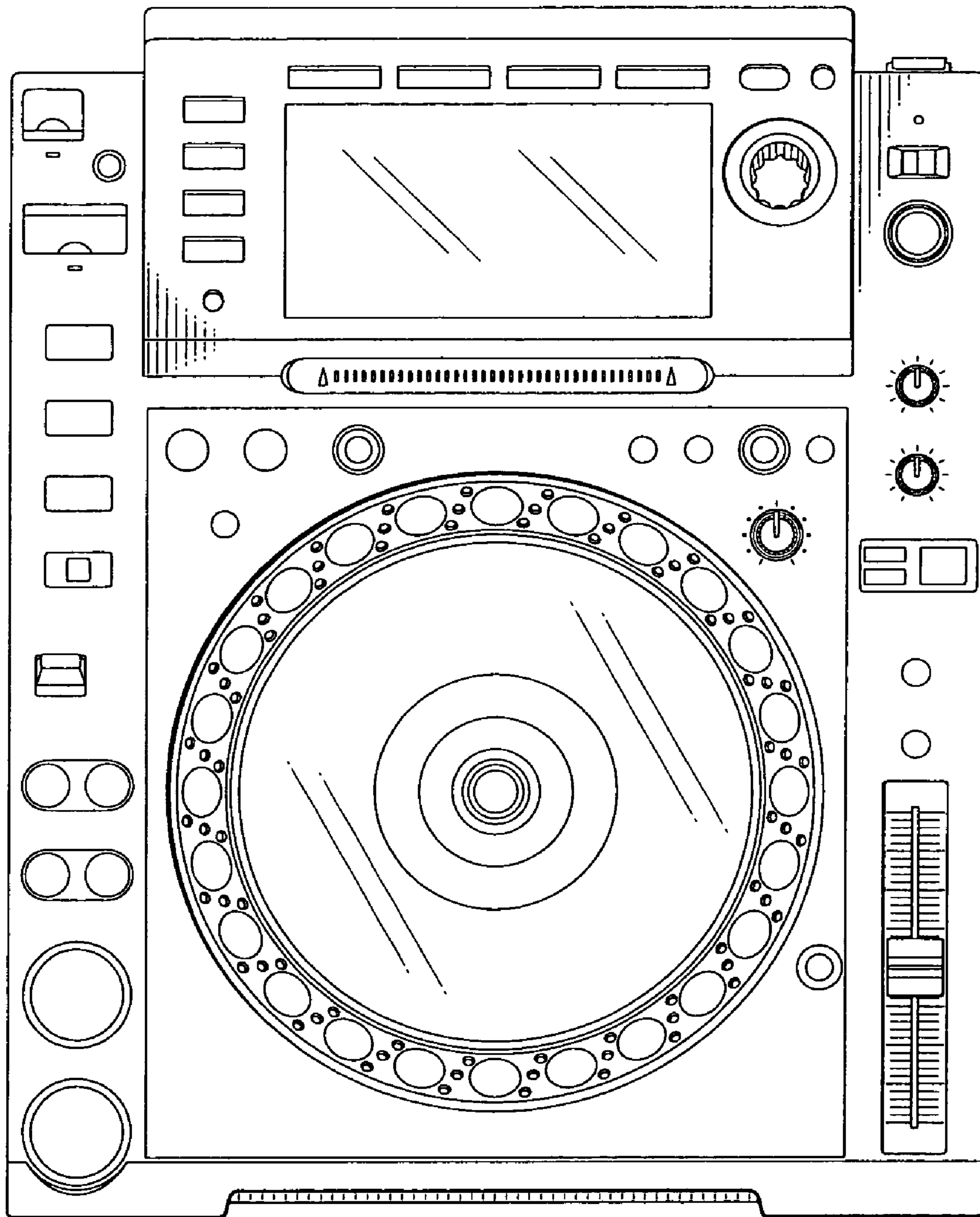


FIG. 2

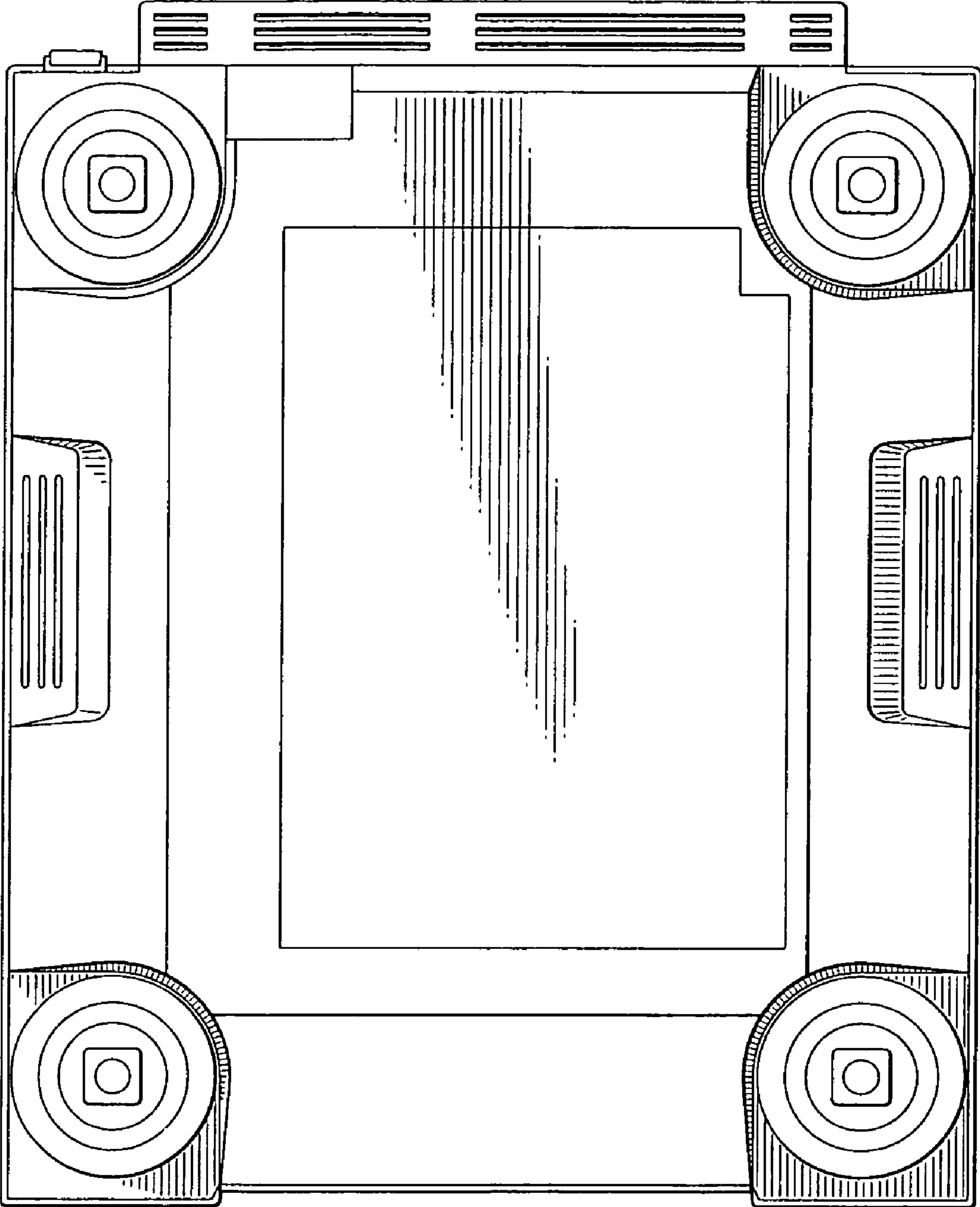


FIG. 3

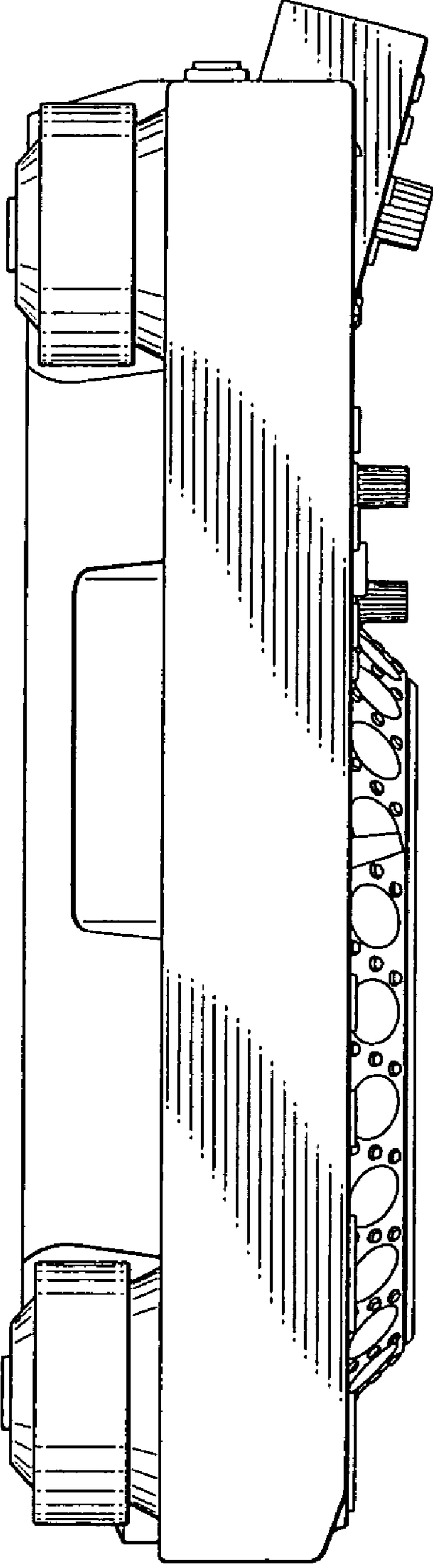


FIG. 4

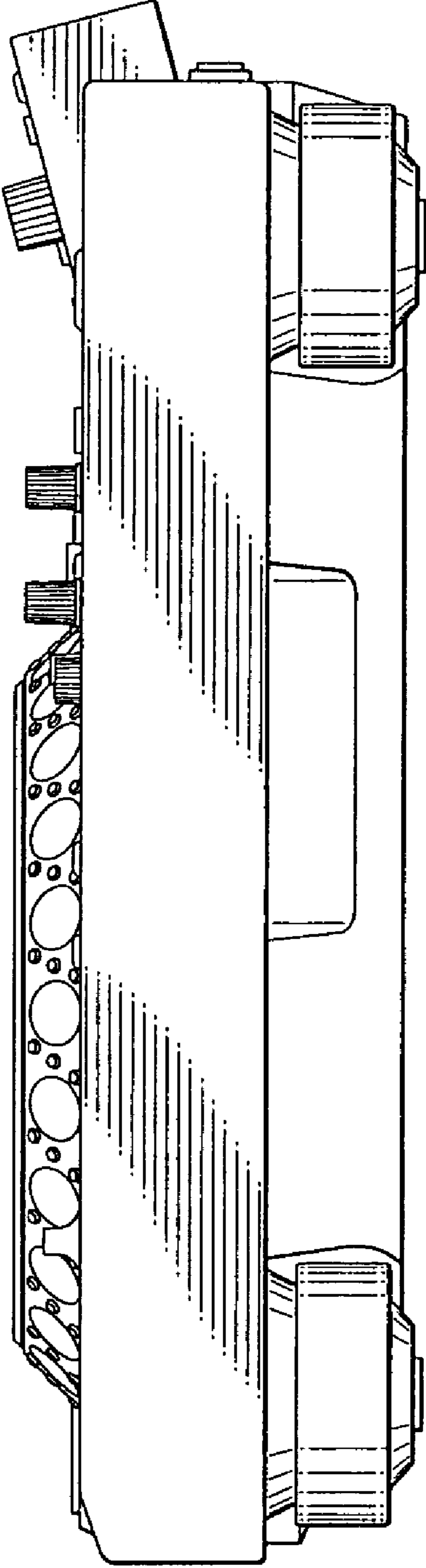


FIG. 5

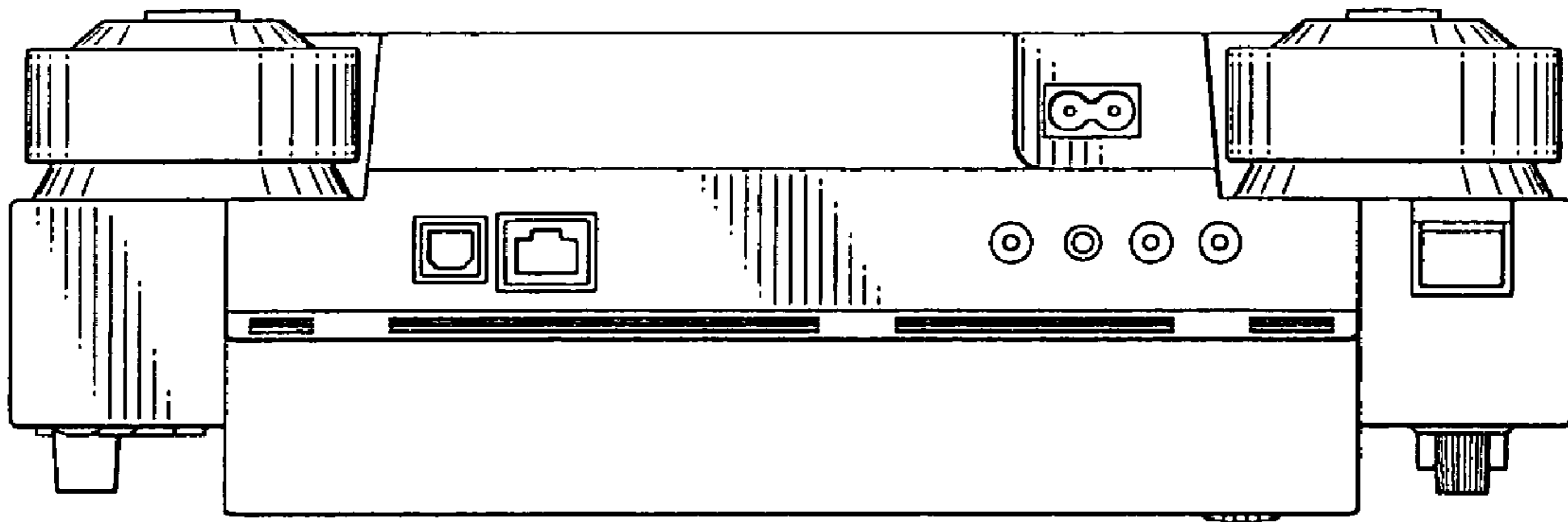


FIG. 6

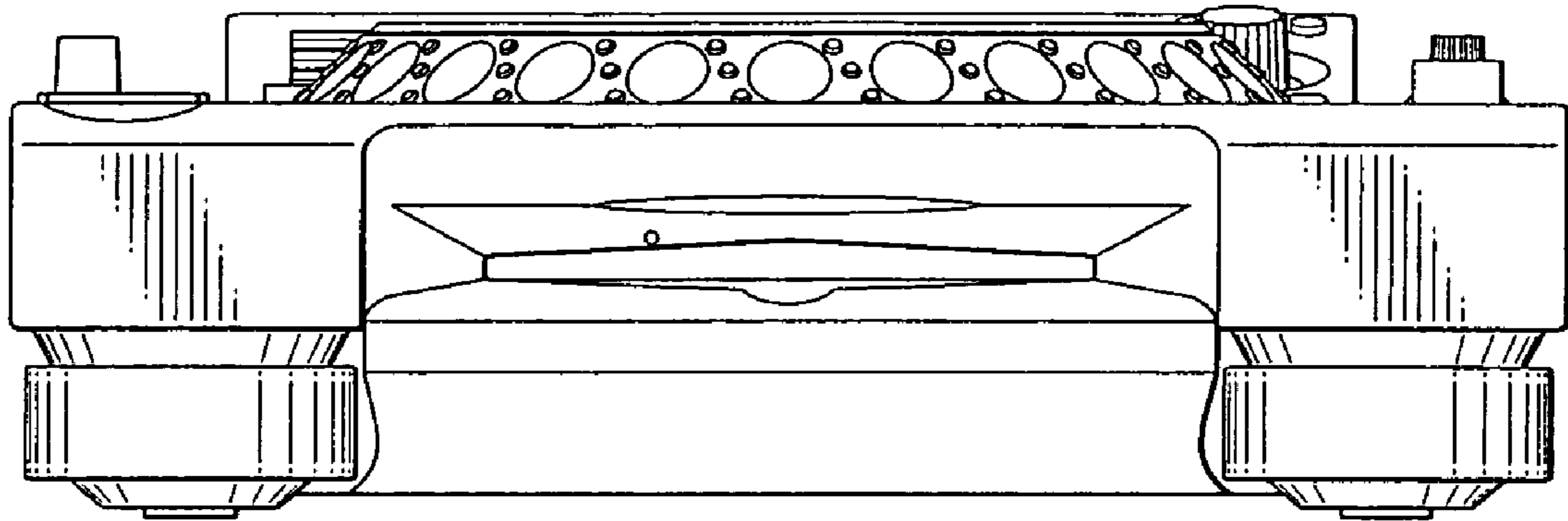


FIG. 7