



US00D616409S

(12) **United States Design Patent**  
**Townsend et al.**

(10) **Patent No.:** **US D616,409 S**  
(45) **Date of Patent:** **\*\* May 25, 2010**

(54) **HOUSING FOR A COMMUNICATION  
DEVICE BASE**

D571,777 S \* 6/2008 Waterman et al. .... D14/151

**FOREIGN PATENT DOCUMENTS**

(75) Inventors: **David P. Townsend**, Lakewood, IL (US);  
**Paul M. Pierce**, Grayslake, IL (US)

WO DM/046695 \* 2/1999  
WO DM/051109 \* 10/1999  
WO DM/055666 \* 5/2000

(73) Assignee: **Motorola, Inc.**, Schaumburg, IL (US)

**OTHER PUBLICATIONS**

(\*\*) Term: **14 Years**

Motorola B802, <URL:http://www.101phones.com/details/0-11221/B802.html>, retrieved from internet Sep. 11, 2009.\*

(21) Appl. No.: **29/299,909**

Panasonic BB-GT1500B, <URL:http://www.101phones.com/details/1984-4938/Panasonic-5-8GHz-One-Handset-Phones-BB-GT1500B.html>, retrieved from internet on Sep. 11, 2009.\*

(22) Filed: **Jan. 7, 2008**

\* cited by examiner

(51) **LOC (9) Cl.** ..... **14-03**

(52) **U.S. Cl.** ..... **D14/149**

(58) **Field of Classification Search** ..... D14/130,  
D14/137, 140, 140.1, 140.8, 141.1, 141.3,  
D14/142, 149-151, 158-159, 168, 171-172,  
D14/188, 211, 214, 225-226, 240, 243, 251,  
D14/253, 299, 336, 215, 167, 210, 212, 509,  
D14/140.4, 140.5, 140.6, 242, 140.2, 138 R,  
D14/144, 434, 148; 379/387.01, 388.02,  
379/420.02, 447, 453, 434; 381/16; D13/107-108,  
D13/168; 455/351, 412.1

*Primary Examiner*—Ian Simmons  
*Assistant Examiner*—Carla Jobe Wright

See application file for complete search history.

(57) **CLAIM**

(56) **References Cited**

The ornamental design for a housing for a communication device base, as shown and described.

**U.S. PATENT DOCUMENTS**

**DESCRIPTION**

- D277,571 S \* 2/1985 Cooke et al. .... D14/149
- D278,434 S \* 4/1985 Nestell ..... D14/149
- D307,277 S \* 4/1990 Desbarats ..... D14/251
- D322,436 S \* 12/1991 Myoga ..... D14/138 R
- D350,541 S \* 9/1994 Chung et al. .... D14/149
- D352,032 S \* 11/1994 Cowan ..... D14/151
- 5,572,575 A \* 11/1996 Yamamoto et al. .... 455/412.1
- D382,557 S \* 8/1997 Solomita et al. .... D14/149
- D414,489 S \* 9/1999 Voigt et al. .... D14/148
- D469,074 S \* 1/2003 Muenscher et al. .... D14/149
- D483,016 S \* 12/2003 Ma et al. .... D13/108
- D514,081 S \* 1/2006 Beasley et al. .... D14/149

FIG. 1 is a front perspective view of a housing for a communication device base.

FIG. 2 is a front view thereof.

FIG. 3 is a rear view thereof.

FIG. 4 is a first side view thereof.

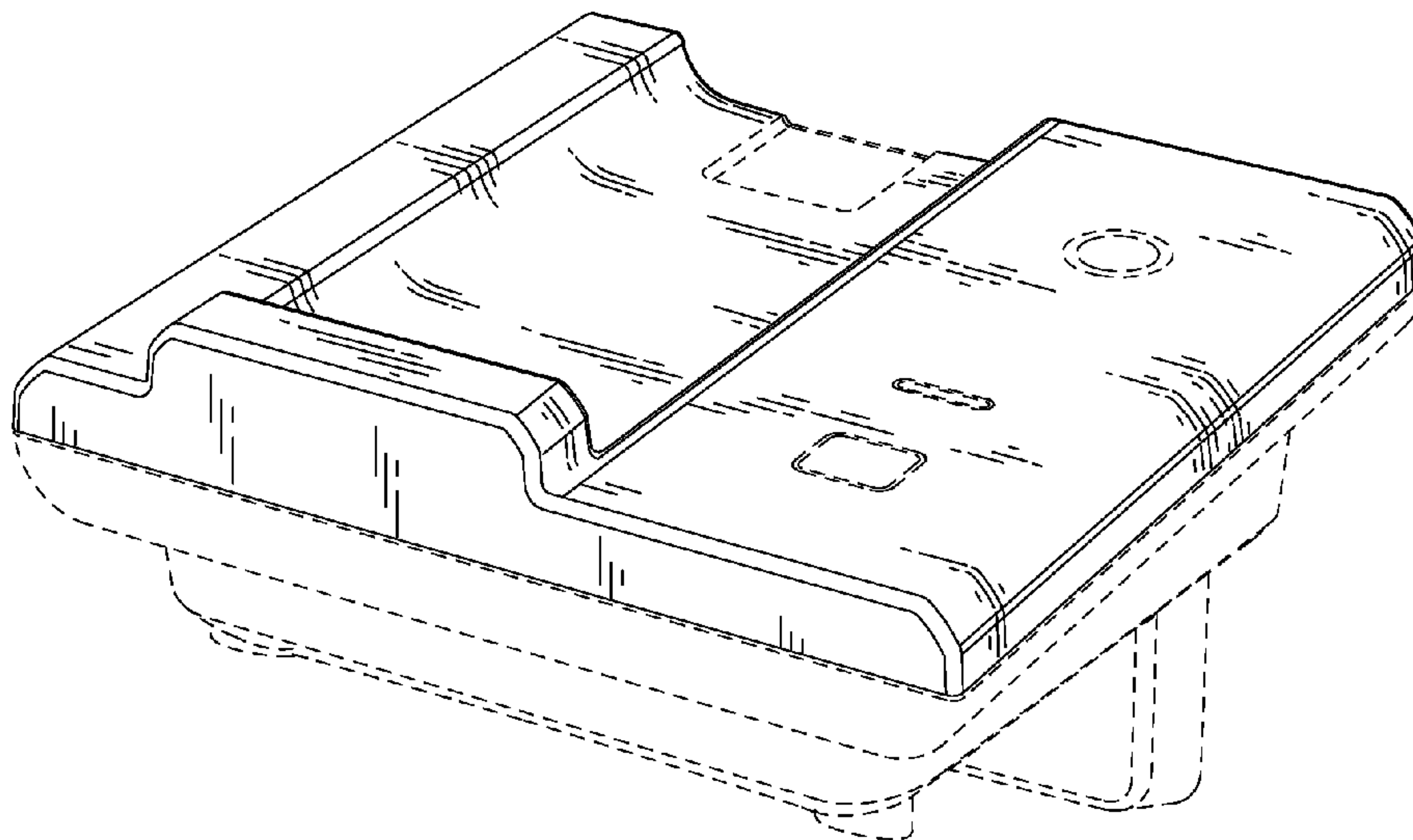
FIG. 5 is a second side view thereof.

FIG. 6 is a top view thereof; and,

FIG. 7 is a bottom view thereof.

The broken lines shown in FIGS. 1-7 that are immediately adjacent to the shaded areas represent the bound of the claimed design, while all other broken lines are directed to environment and are for illustrative purposes only; the broken lines form no part of the claim design.

**1 Claim, 5 Drawing Sheets**



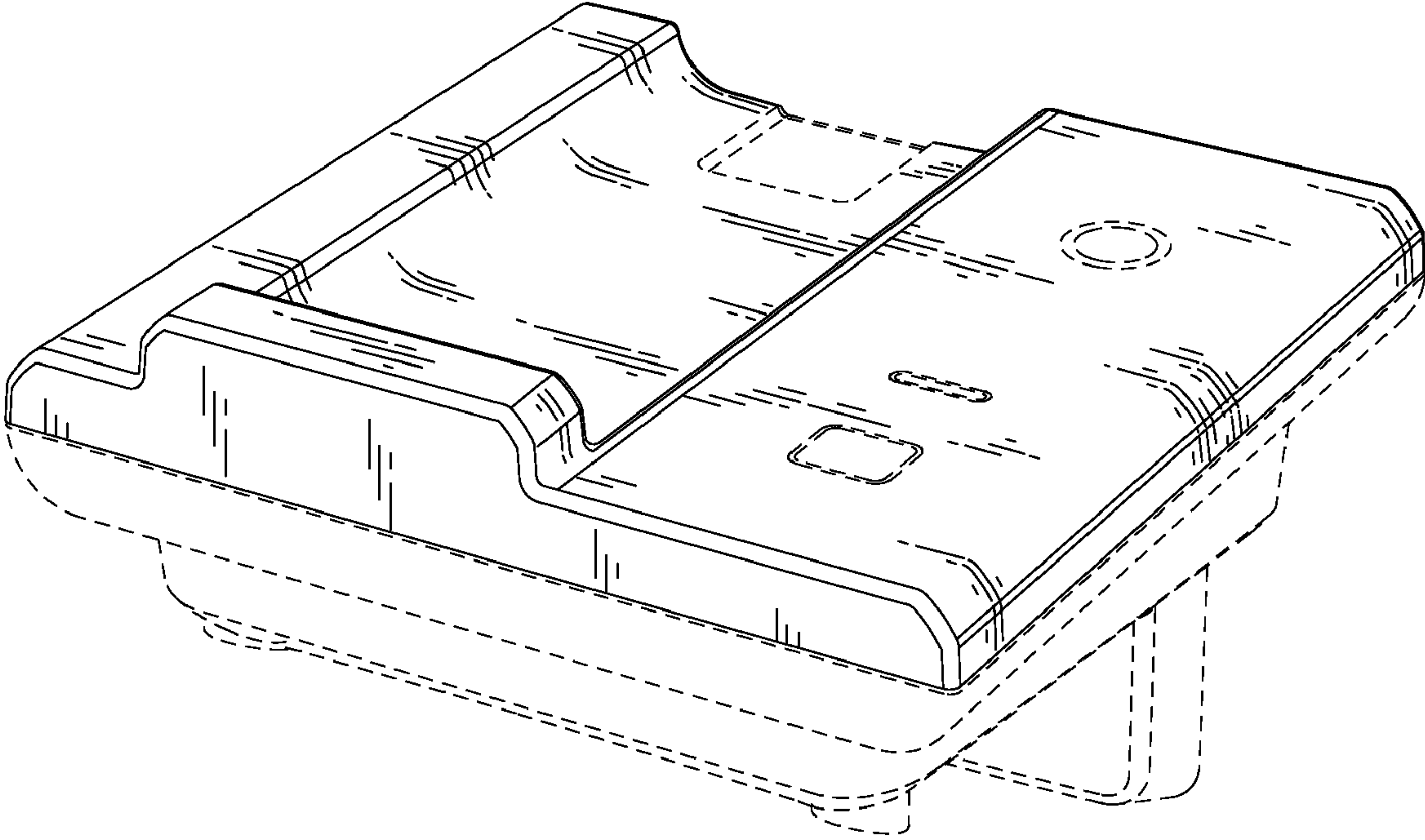


FIG. 1

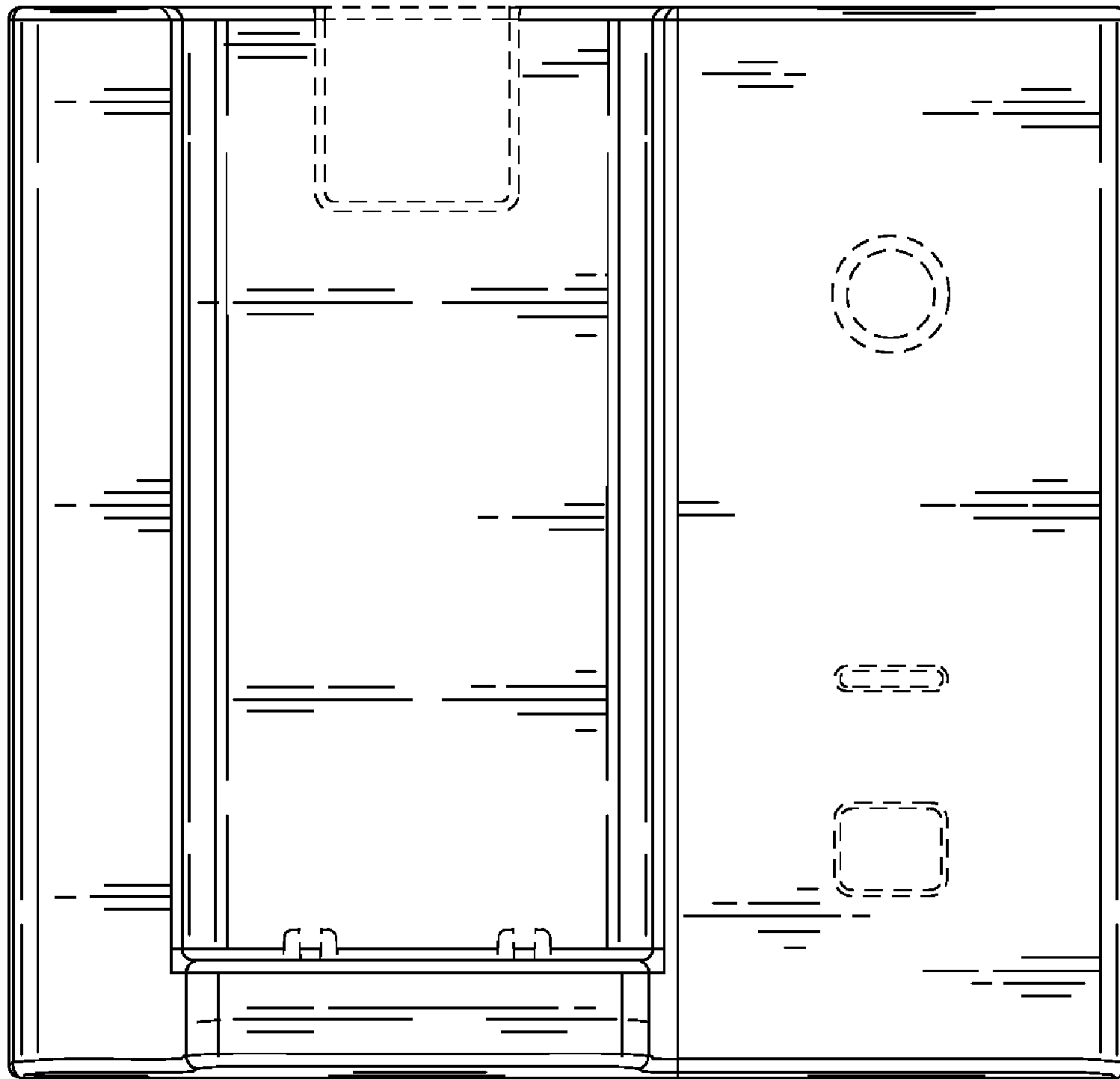


FIG. 2

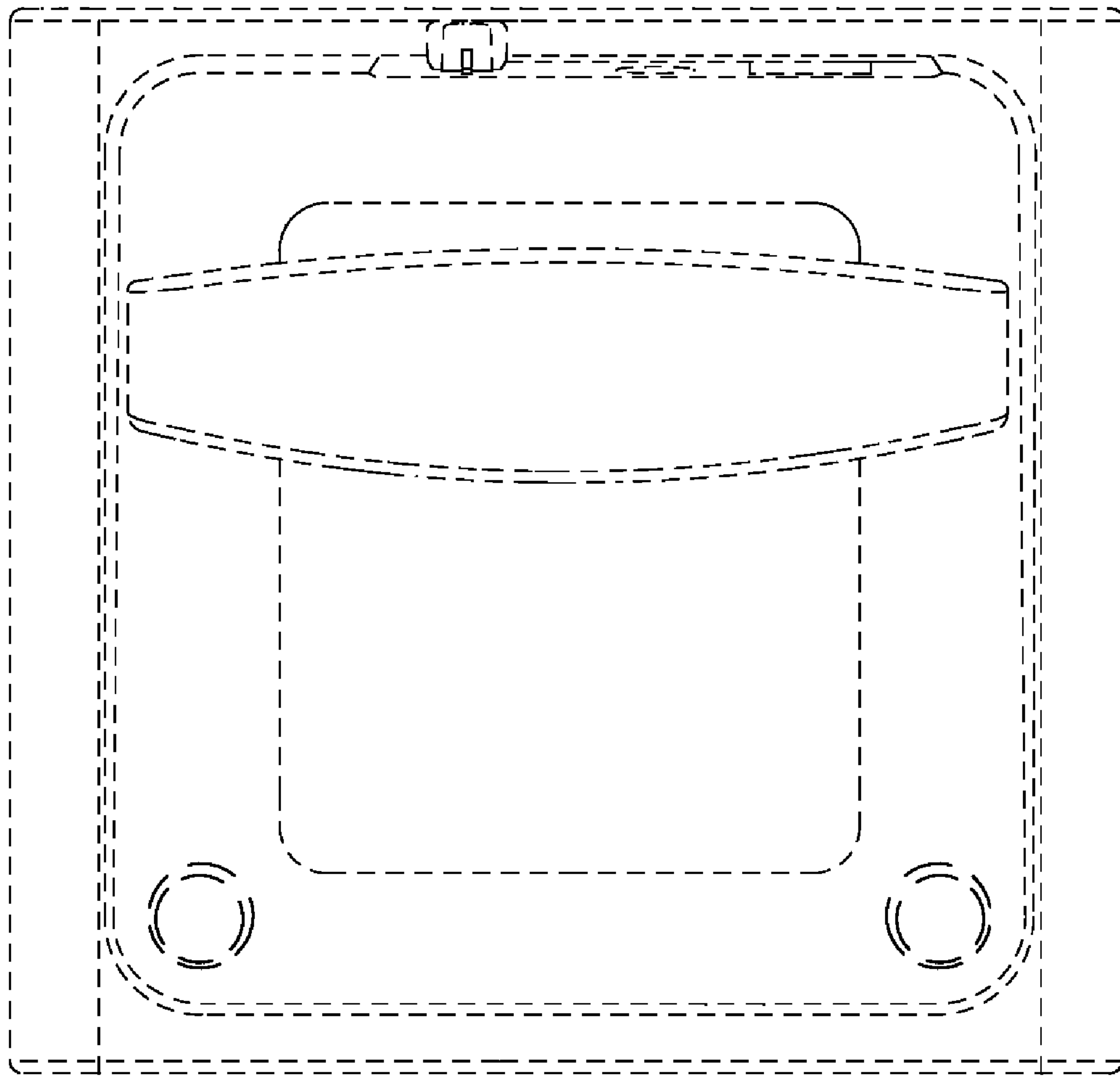


FIG. 3

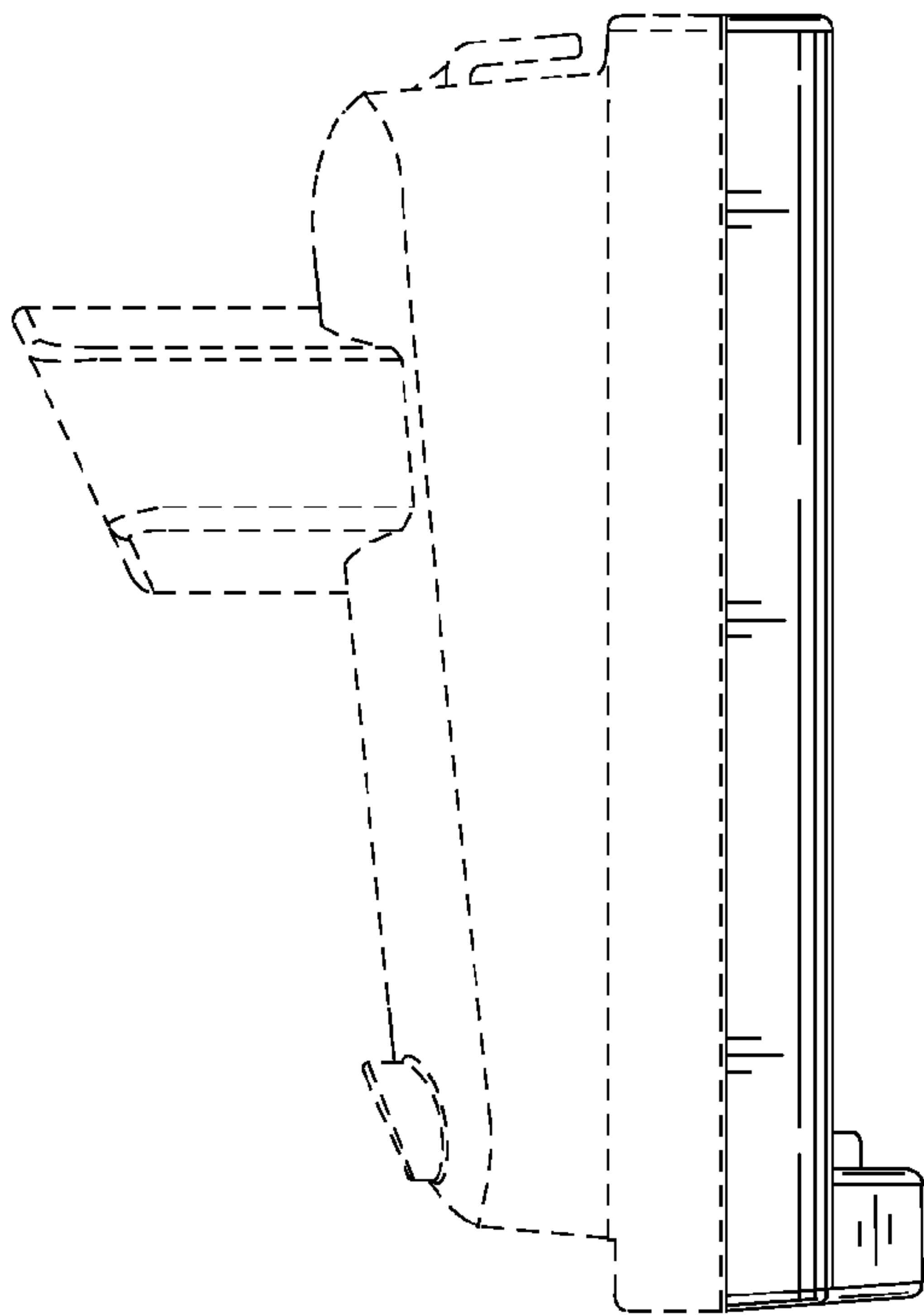


FIG. 4

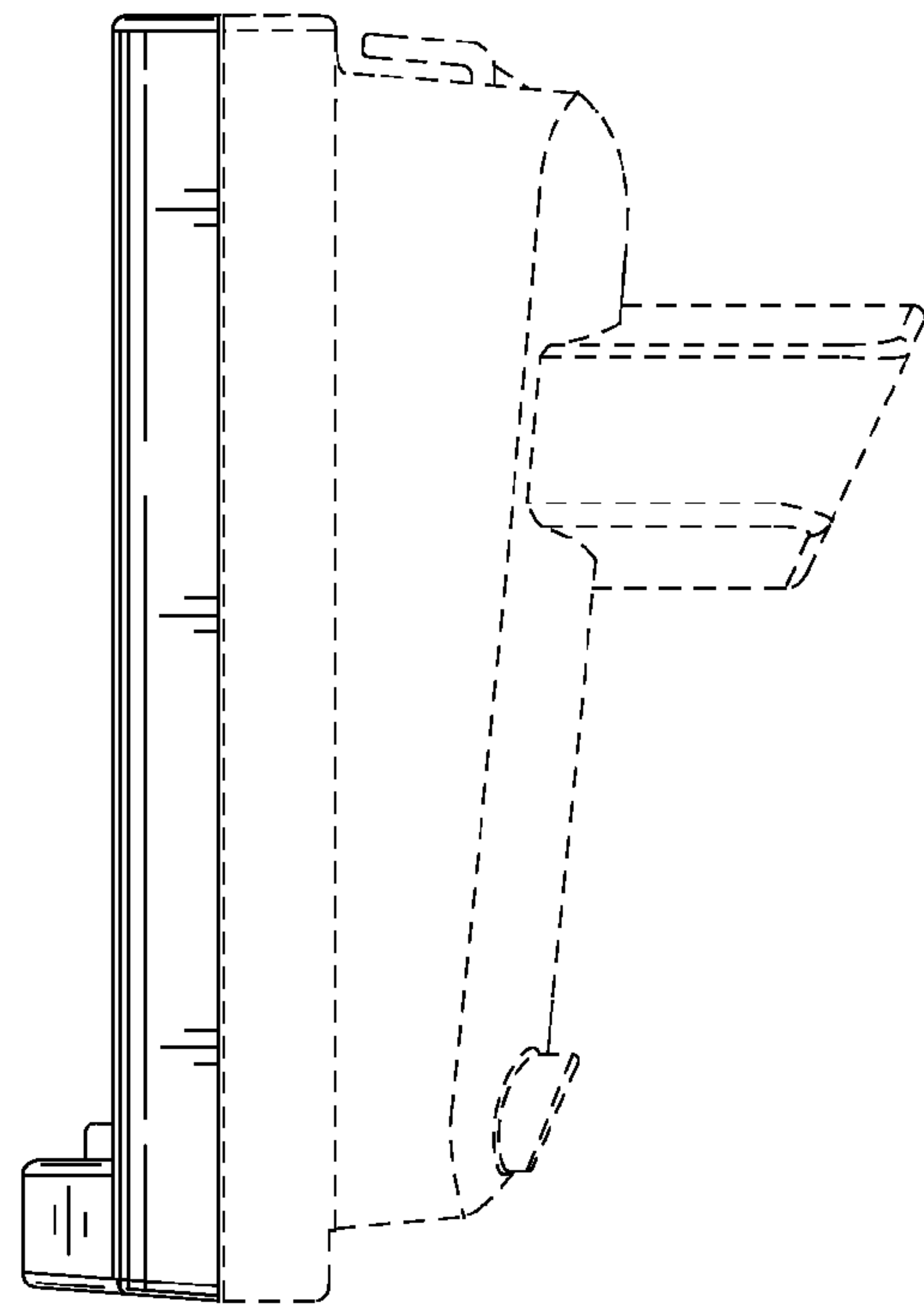


FIG. 5

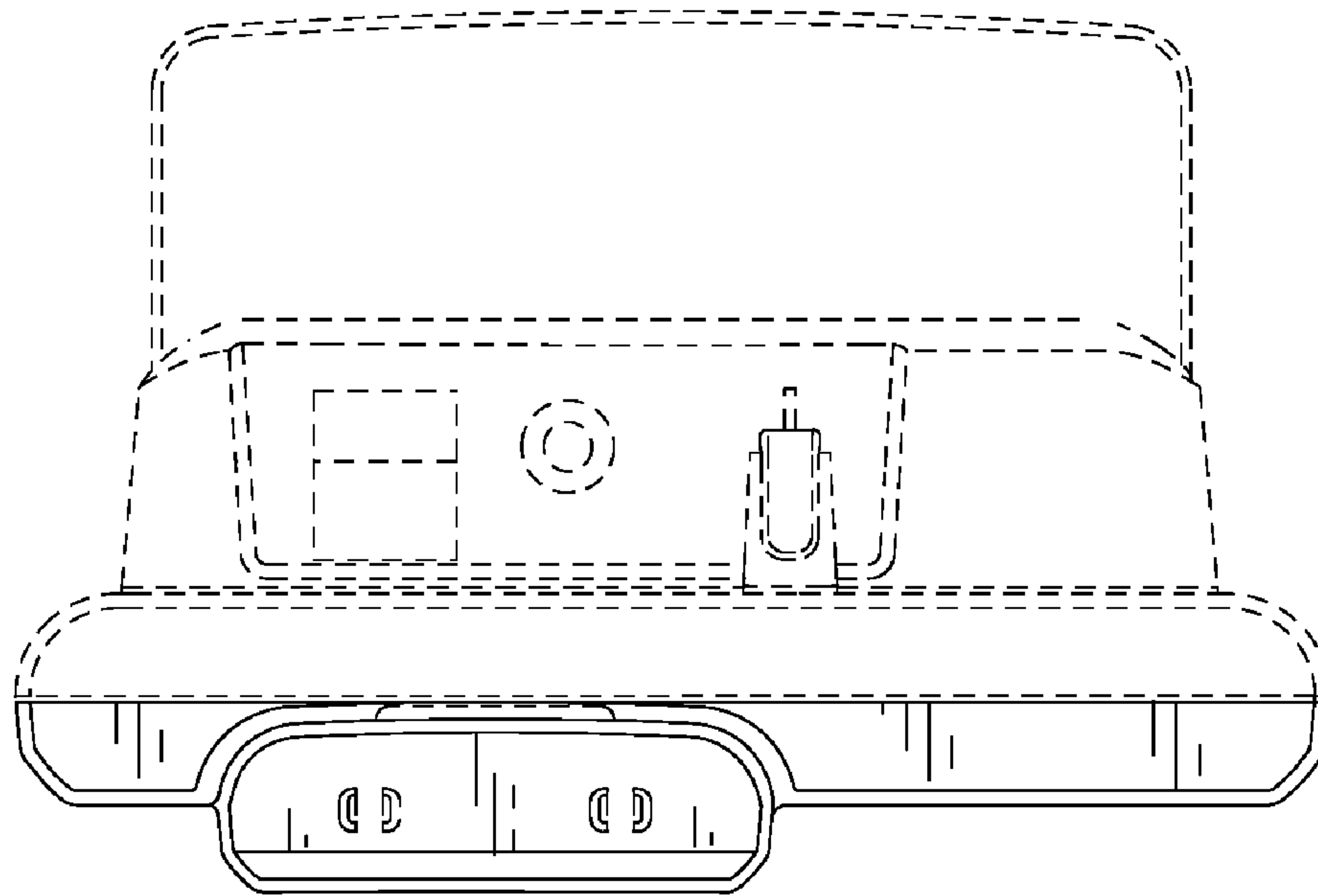


FIG. 6

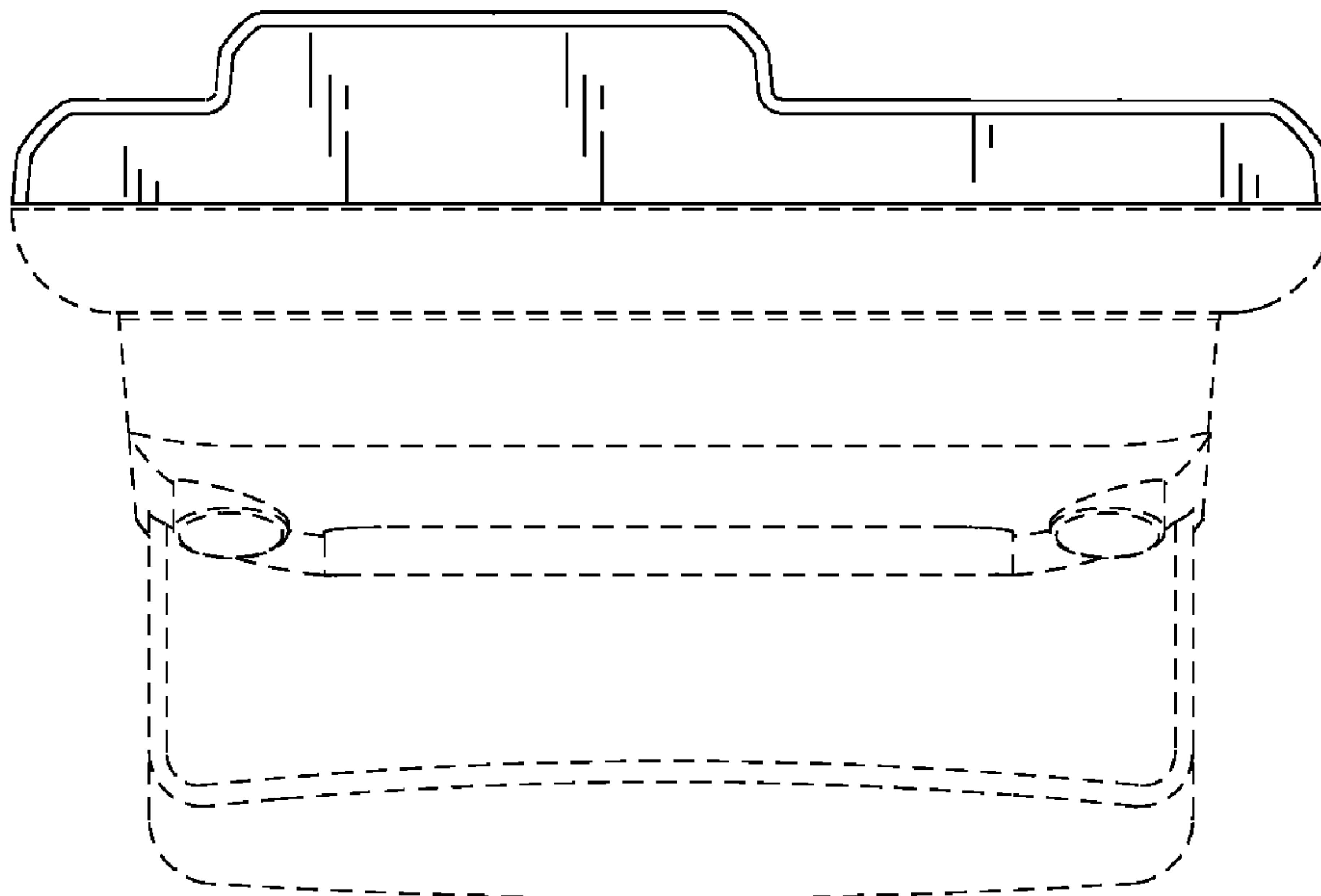


FIG. 7