



US00D616403S

(12) **United States Design Patent**  
**Roed et al.**

(10) **Patent No.:** **US D616,403 S**  
(45) **Date of Patent:** **\*\* May 25, 2010**

(54) **DISPLAY SCREEN MODULE**

(75) Inventors: **Maren Anne Roed**, Eiksmarka (NO);  
**Stig Myler**, Fredensborg (DK);  
**Friederike Faller**, Frederiksberg (DK);  
**Torkel Steffen Mellingen**, Oslo (NO)

(73) Assignee: **Tandberg Telecom AS**, Lysaker (NO)

(\*\*) Term: **14 Years**

(21) Appl. No.: **29/329,021**

(22) Filed: **Dec. 8, 2008**

(51) **LOC (9) Cl.** ..... **14-03**

(52) **U.S. Cl.** ..... **D14/127**

(58) **Field of Classification Search** ..... D14/125-134,  
D14/239, 371, 136, 374-377, 440, 450, 448,  
D14/336, 342; 312/7.2; 348/836, 838, 180,  
348/184, 325, 739; 341/12; 248/917-924,  
248/465; 345/104, 133, 156, 168, 87, 173;  
720/605, 669, 600, 655; 369/99, 197; 455/344,  
455/347; D21/329, 515, 577, 622, 333, 433,  
D21/448, 452, 450, 331; D6/477, 479, 300;  
273/148 B; 446/484, 175, 356; D10/15,  
D10/26

See application file for complete search history.

(56) **References Cited**

**U.S. PATENT DOCUMENTS**

D340,229 S \* 10/1993 Drabczyk et al. .... D14/306  
D346,605 S \* 5/1994 Bosson ..... D14/239

D440,543 S \* 4/2001 Kodimer ..... D14/127  
D581,380 S \* 11/2008 Derocher et al. .... D14/127  
D583,781 S \* 12/2008 Derocher et al. .... D14/129  
D585,857 S \* 2/2009 Monson et al. .... D14/127  
D593,977 S \* 6/2009 Derocher et al. .... D14/127

**OTHER PUBLICATIONS**

U.S. Appl. No. 29/329,021, filed Dec. 8, 2008, Roed, et al.  
U.S. Appl. No. 29/313,109, filed Dec. 8, 2008, Roed, et al.

\* cited by examiner

*Primary Examiner*—Raphael Barkai

(74) *Attorney, Agent, or Firm*—Oblon, Spivak, McClelland,  
Maier & Neustadt, L.L.P.

(57) **CLAIM**

The new, original, and ornamental design for a display screen module, as shown and described.

**DESCRIPTION**

FIG. 1 is a top and left elevational view of a first embodiment of a display screen module;

FIG. 2 is a bottom and left elevational view thereof;

FIG. 3 is a front elevational view thereof;

FIG. 4 is a rear elevational view thereof;

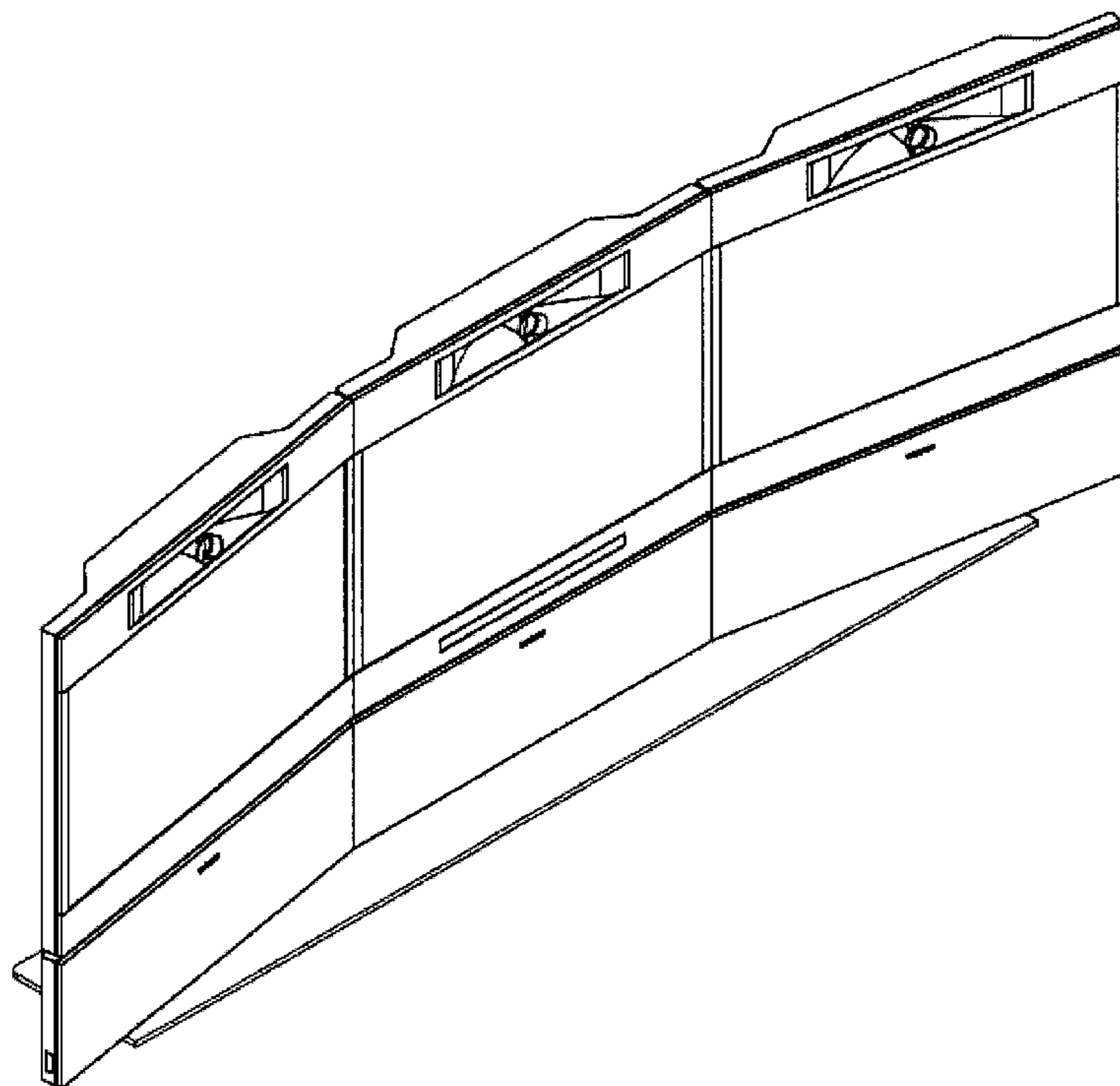
FIG. 5 is a bottom plan view thereof;

FIG. 6 is a top plan view thereof;

FIG. 7 is a left side elevational view thereof; and,

FIG. 8 is a right side elevational view thereof.

**1 Claim, 8 Drawing Sheets**



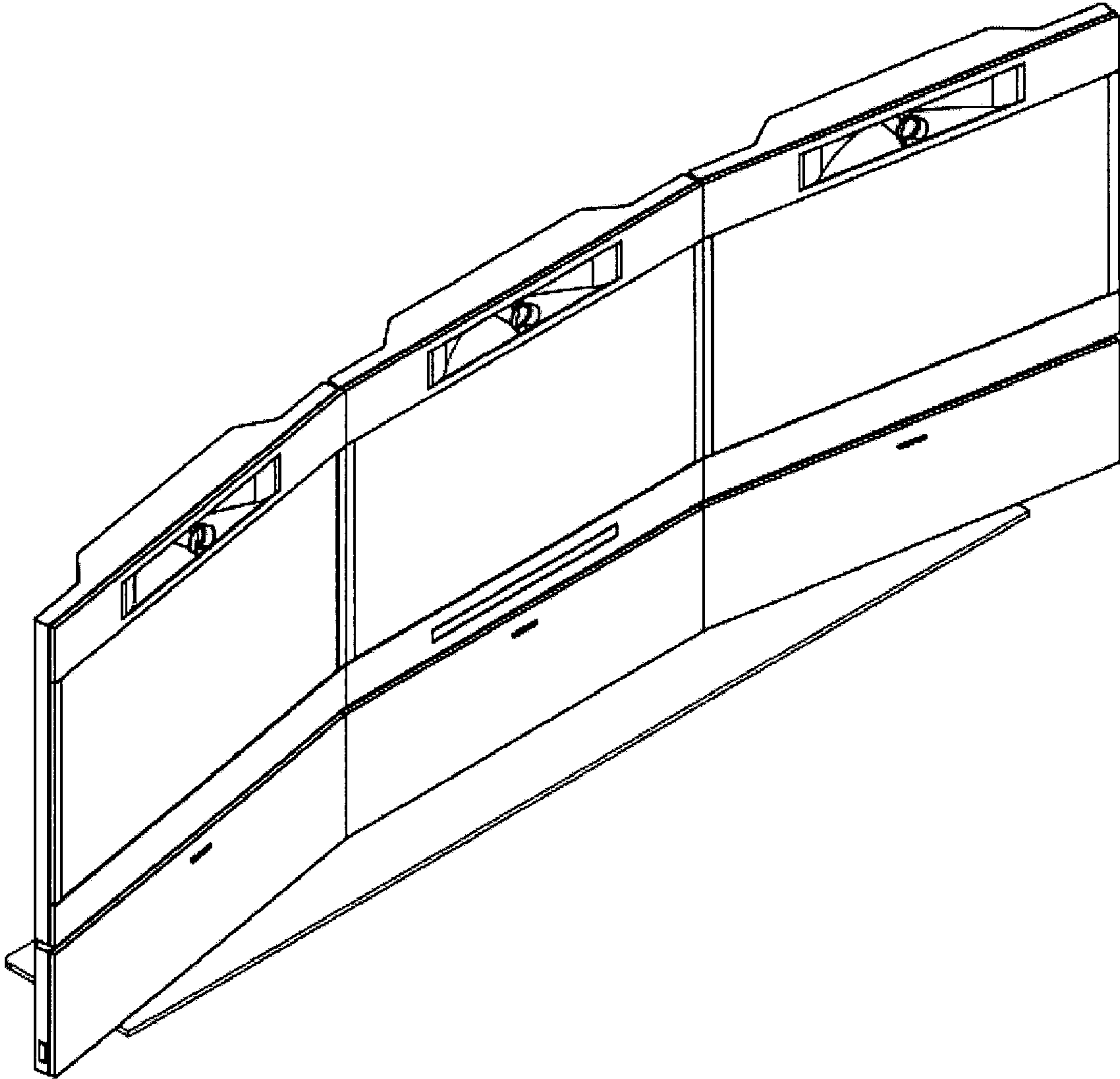


Figure 1

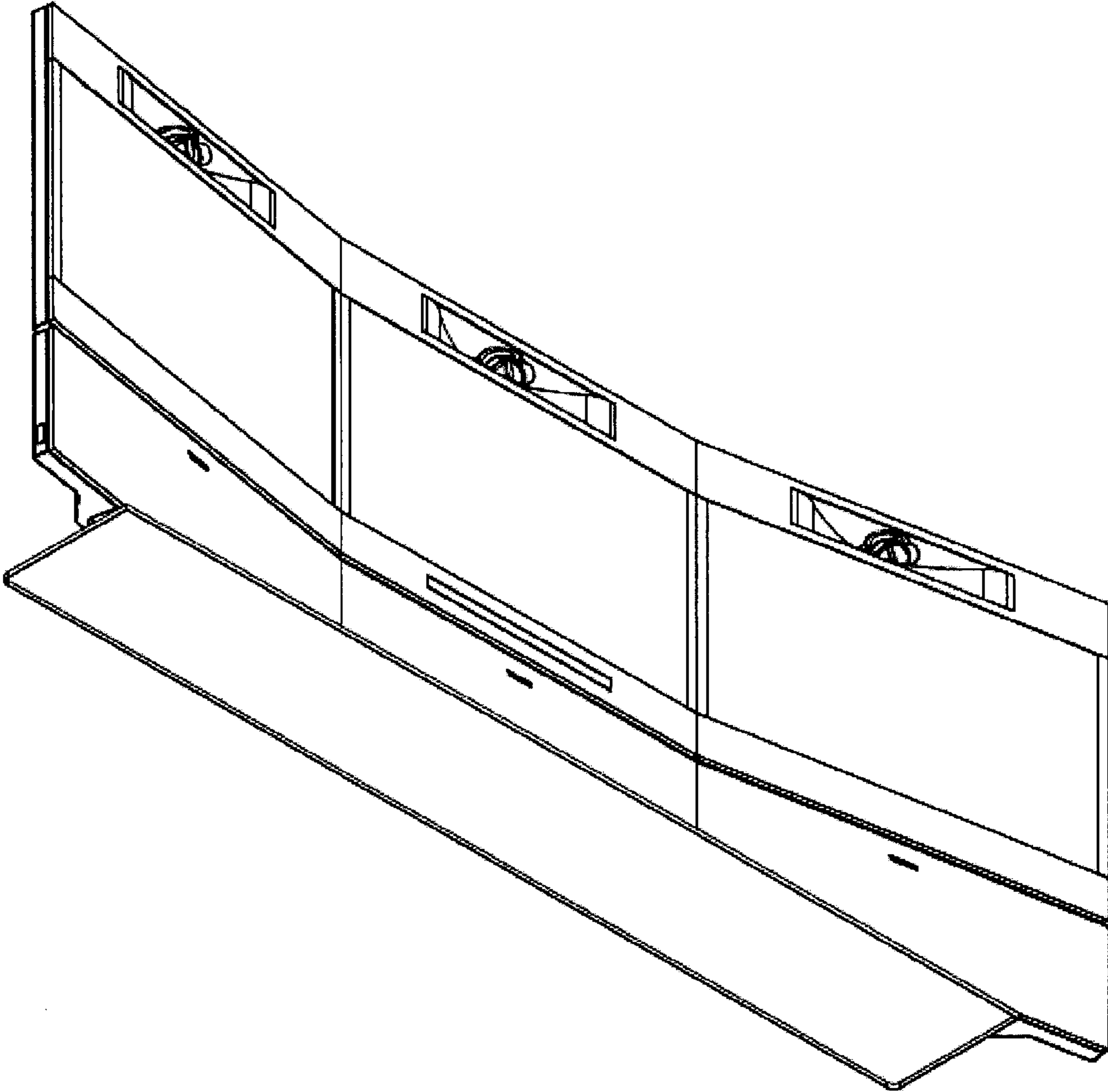


Figure 2

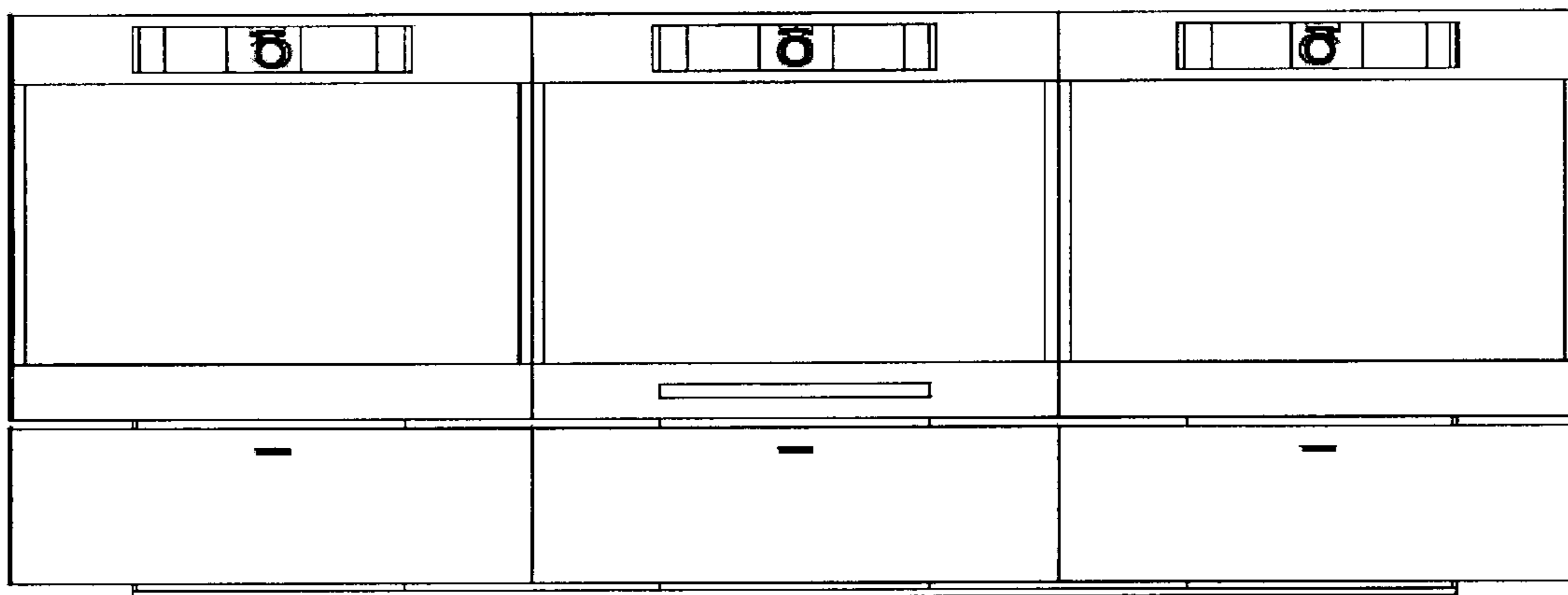


Figure 3

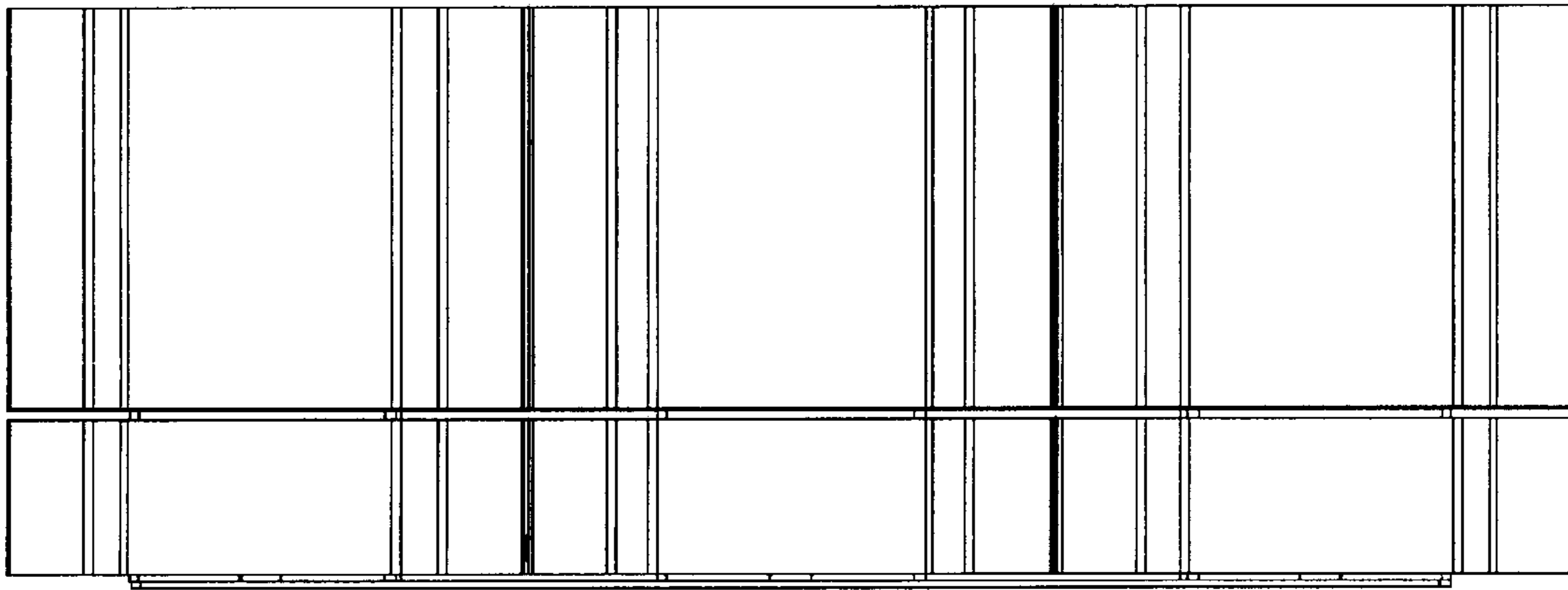


Figure 4

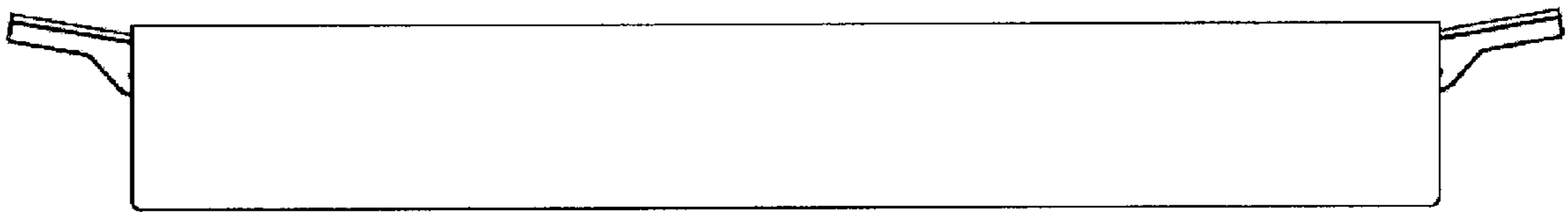


Figure 5

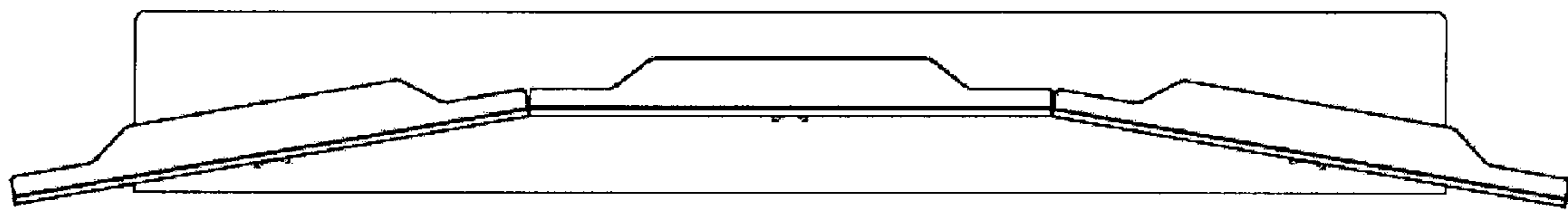
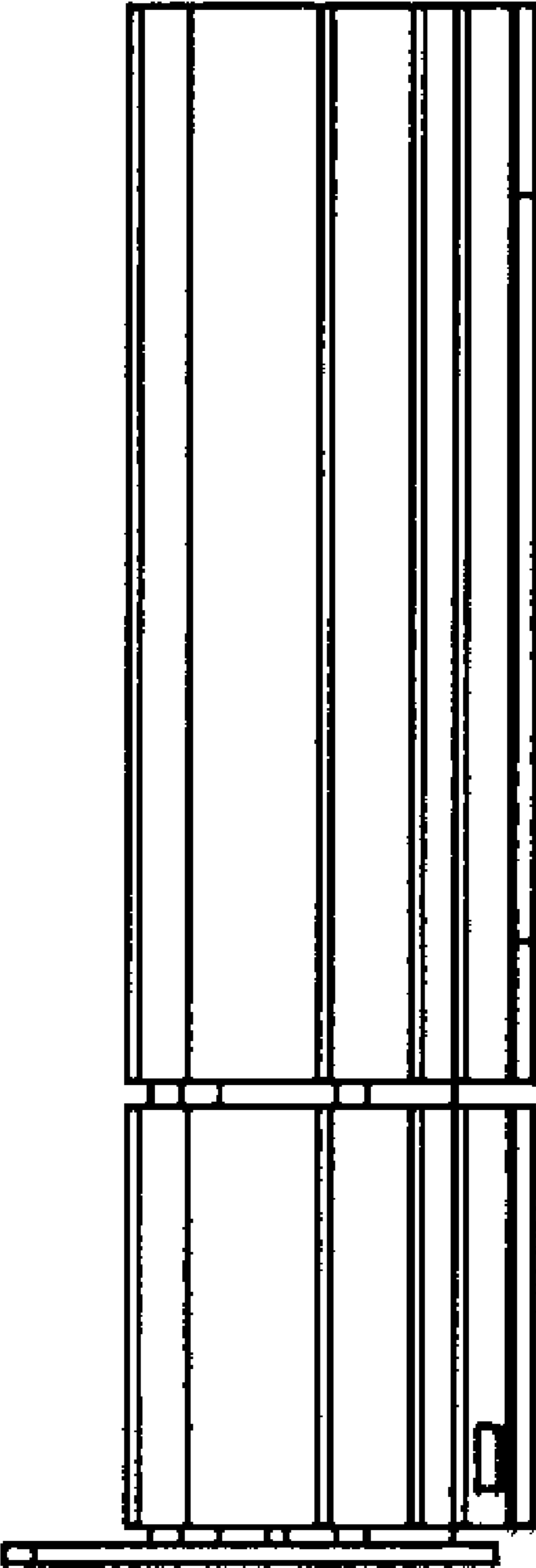


Figure 6



**Figure 7**





**Figure 8**

UNITED STATES PATENT AND TRADEMARK OFFICE  
**CERTIFICATE OF CORRECTION**

PATENT NO. : Des. 616,403 S  
APPLICATION NO. : 29/329021  
DATED : May 25, 2010  
INVENTOR(S) : Roed et al.

Page 1 of 1

It is certified that error appears in the above-identified patent and that said Letters Patent is hereby corrected as shown below:

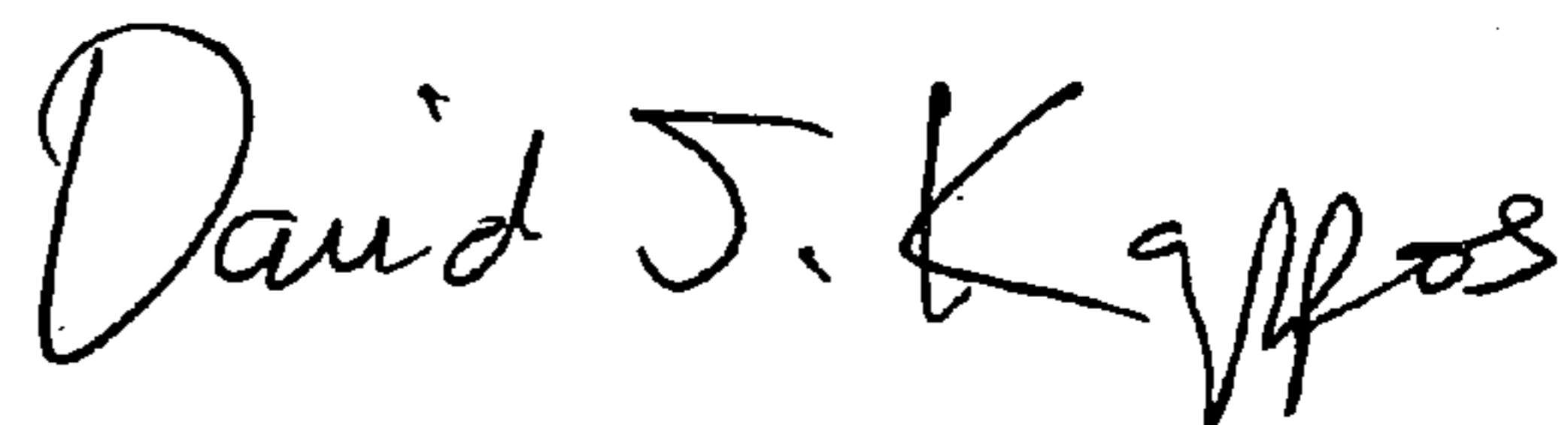
On the title page, Item (30), the Foreign Application Priority Data has been omitted. Item (30) should read:

Item -- (30)      **Foreign Application Priority Data**

June 6, 2008      (NO)..... 20080323 --

Signed and Sealed this

Third Day of August, 2010



David J. Kappos  
*Director of the United States Patent and Trademark Office*