



US00D616399S

(12) **United States Design Patent**
Lee et al.

(10) **Patent No.:** **US D616,399 S**
(45) **Date of Patent:** **** May 25, 2010**

(54) **TELEVISION MONITOR**

(75) Inventors: **Yong Ho Lee**, Seoul (KR); **Hee Su Yang**, Seoul (KR); **Yoon Kyeong Lee**, Seoul (KR); **Young Hun Jang**, Seoul (KR); **Sung Gu Joe**, Seoul (KR)

(73) Assignee: **LG Electronics Inc.**, Seoul (KR)

(**) Term: **14 Years**

(21) Appl. No.: **29/328,793**

(22) Filed: **Dec. 2, 2008**

(30) **Foreign Application Priority Data**

Jun. 4, 2008 (KR) 30-2008-0023924

(51) **LOC (9) Cl.** **14-03**

(52) **U.S. Cl.** **D14/126**

(58) **Field of Classification Search** D14/125-134, D14/239, 371, 136, 374-377, 440, 450, 448, D14/336, 342; 312/7.2; 348/836, 838, 180, 348/184, 325, 739; 341/12; 248/917-924, 248/465; 345/104, 133, 156, 168, 87, 173; 720/605, 669, 600, 655; 369/99, 197; 455/344, 455/347; D21/329, 515, 577, 622, 333, 433, D21/448, 452, 450, 331; D6/477, 479, 300; 273/148 B; 446/484, 175, 356; D10/15, D10/26

See application file for complete search history.

(56) **References Cited**

U.S. PATENT DOCUMENTS

D417,659 S * 12/1999 Takemasa D14/374
D492,673 S * 7/2004 Asawa et al. D14/239
D500,991 S * 1/2005 Niitsu D14/126
D508,470 S * 8/2005 Inoue et al. D14/126
D533,149 S * 12/2006 Inoue D14/126
D537,799 S * 3/2007 Inoue D14/126
D564,990 S * 3/2008 Ueno D14/126
D568,266 S * 5/2008 Shimamoto D14/126
D571,323 S * 6/2008 Profit D14/126

D576,975 S * 9/2008 Oh et al. D14/126
D579,429 S * 10/2008 Baek et al. D14/126
D583,339 S * 12/2008 Hwang et al. D14/126
D584,702 S * 1/2009 Inuma et al. D14/126
D585,035 S * 1/2009 Ohki et al. D14/126
D586,266 S * 2/2009 Burns et al. D12/126
D592,163 S * 5/2009 Lee et al. D14/126
D605,149 S * 12/2009 Kim et al. D14/126
D605,614 S * 12/2009 Lee et al. D14/126

* cited by examiner

Primary Examiner—Raphael Barkai

(74) *Attorney, Agent, or Firm*—Birch, Stewart, Kolasch & Birch, LLP

(57) **CLAIM**

The ornamental design for a television monitor, as shown and described.

DESCRIPTION

FIG. 1 is a perspective view of a television monitor showing our new design;

FIG. 2 is a front view thereof;

FIG. 3 is a rear view thereof;

FIG. 4 is a left side view thereof;

FIG. 5 is a right side view thereof;

FIG. 6 is a top plan view thereof;

FIG. 7 is a bottom plan view thereof;

FIG. 8 is a perspective view thereof showing the state in which the television monitor has been installed to a wall after the stand part has been detached;

FIG. 9 is a bottom plan view thereof showing the speaker which is located at the lower part of the television monitor's main body, the base has been removed for ease of illustration only; and,

FIG. 10 is an enlarged view of a part of the lower part of the television monitor's main body.

1 Claim, 8 Drawing Sheets

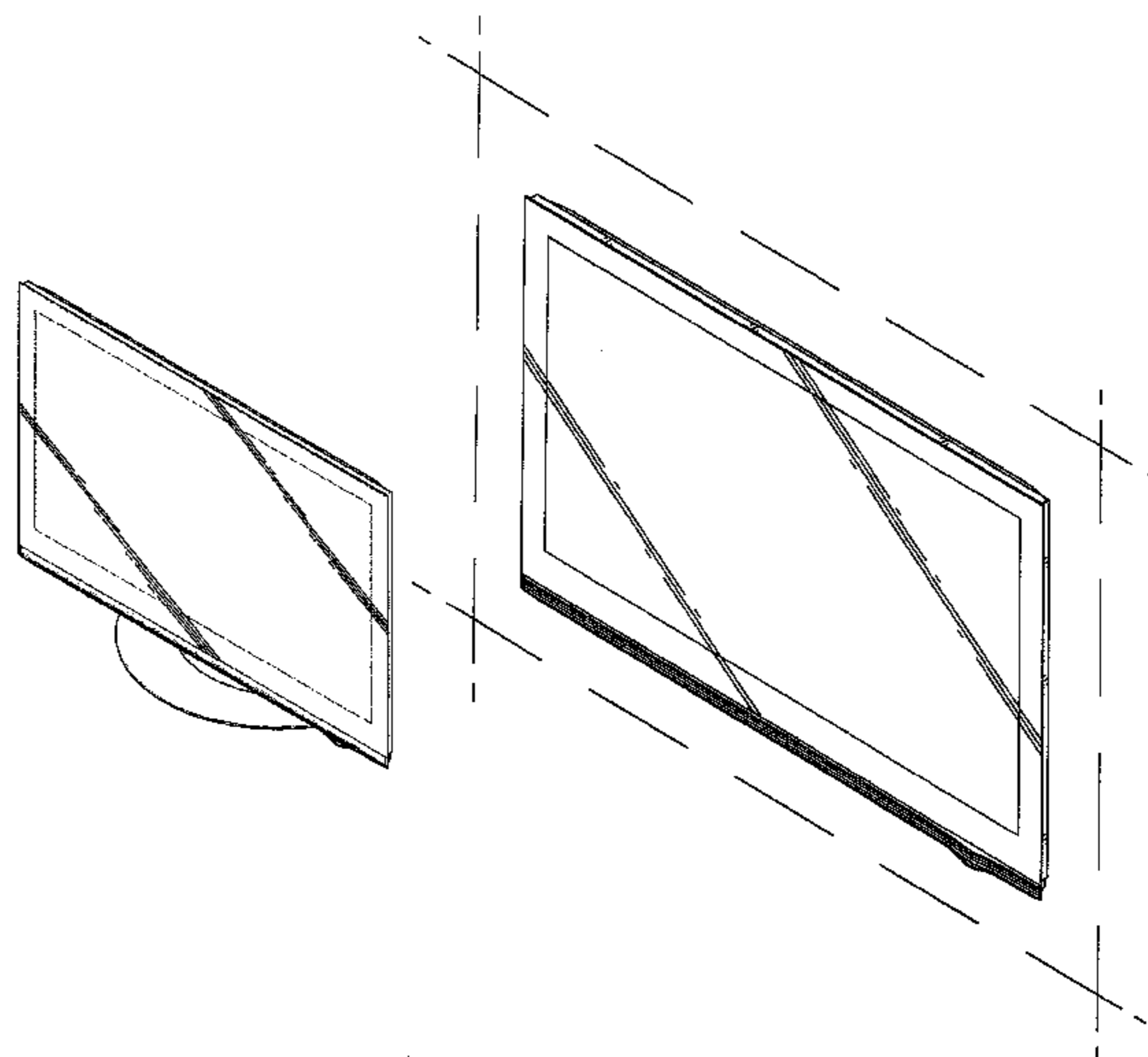


FIG. 1

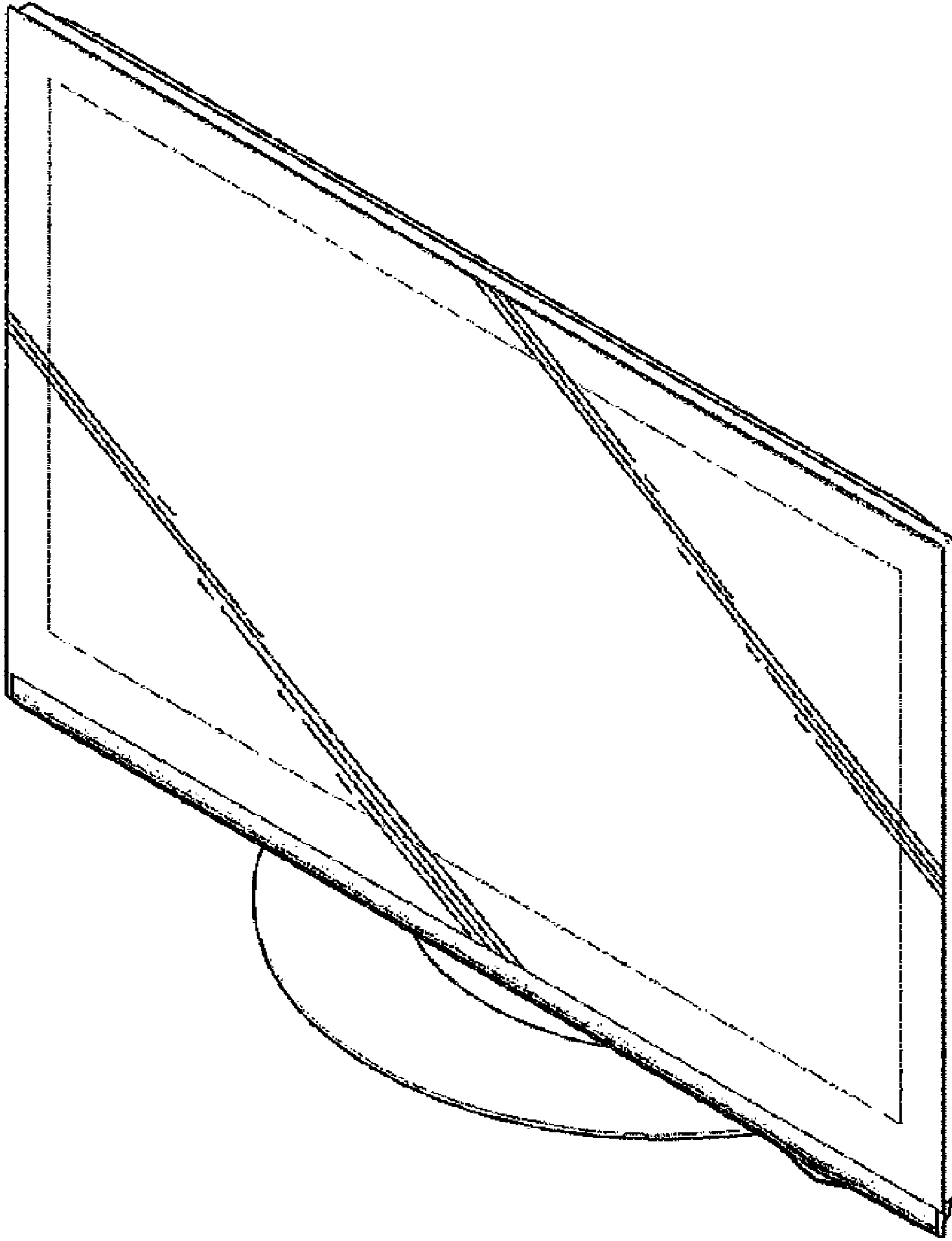


FIG. 2

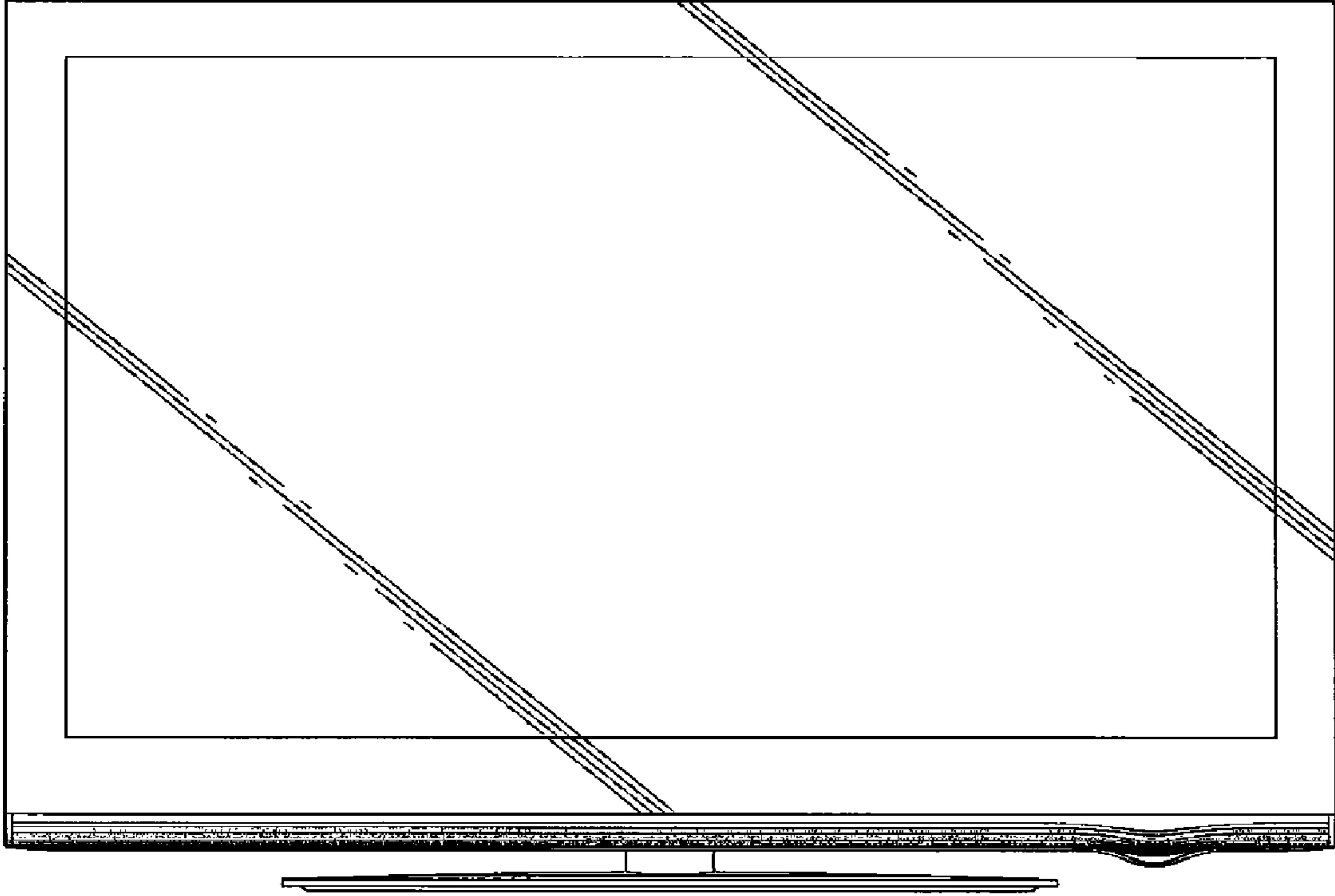


FIG. 3

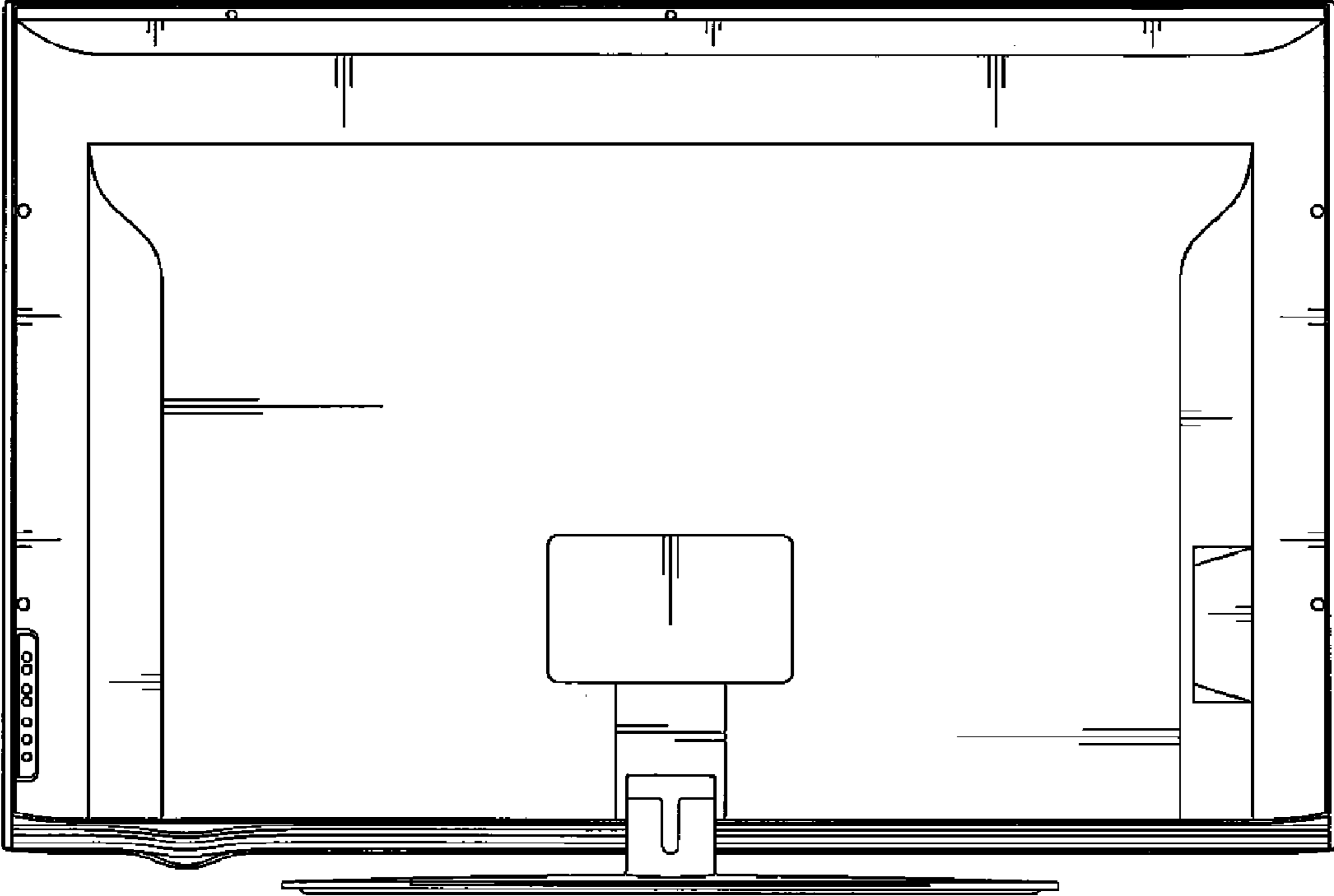


FIG. 4

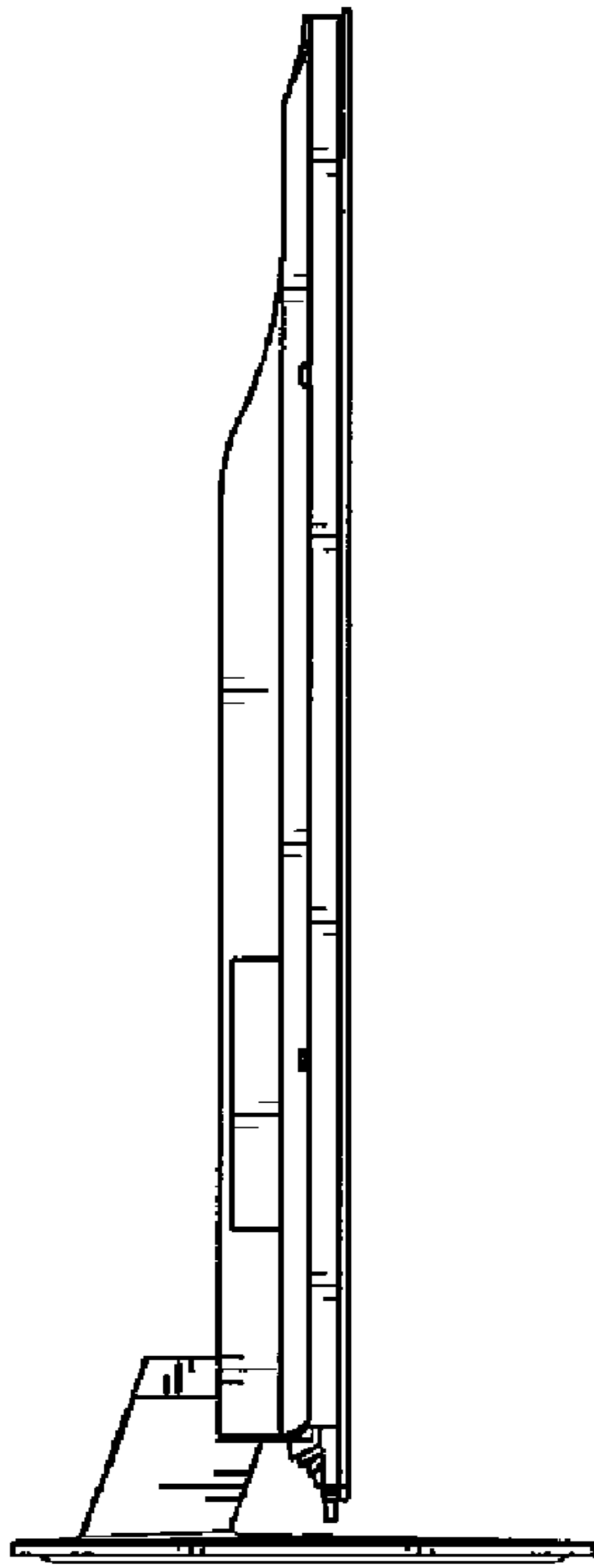


FIG. 5

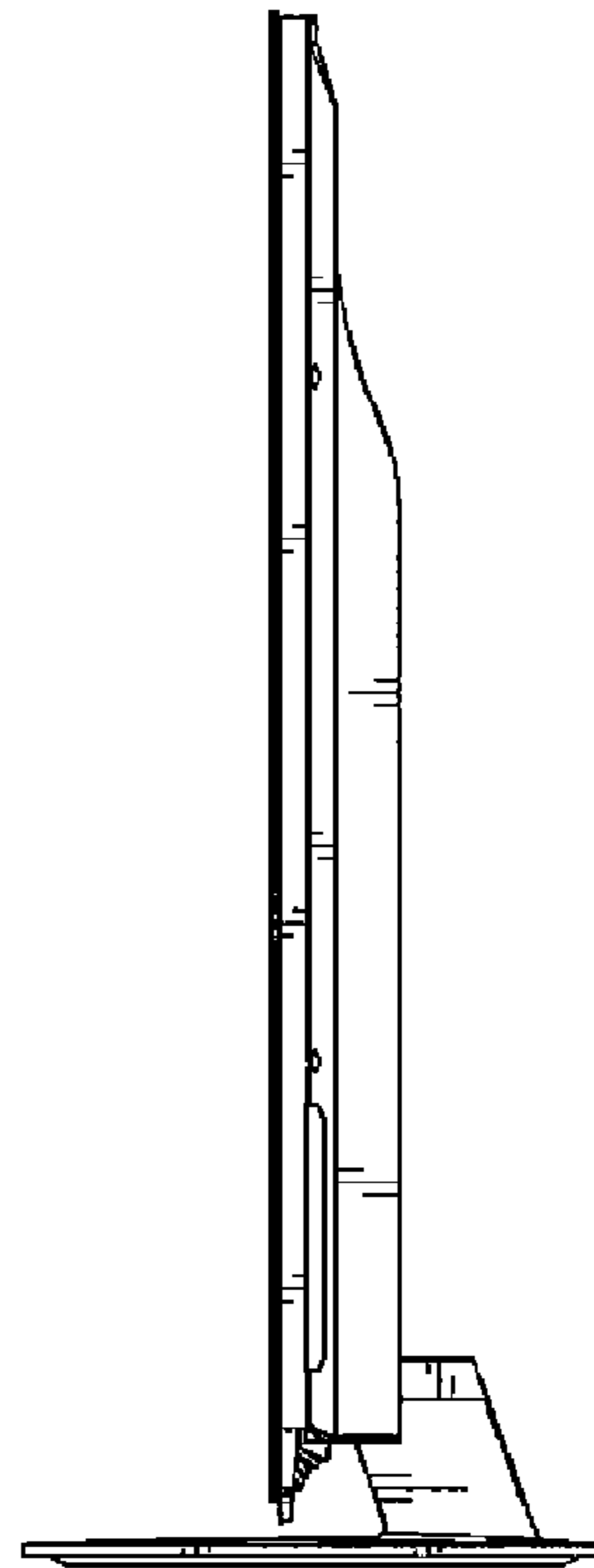


FIG. 6

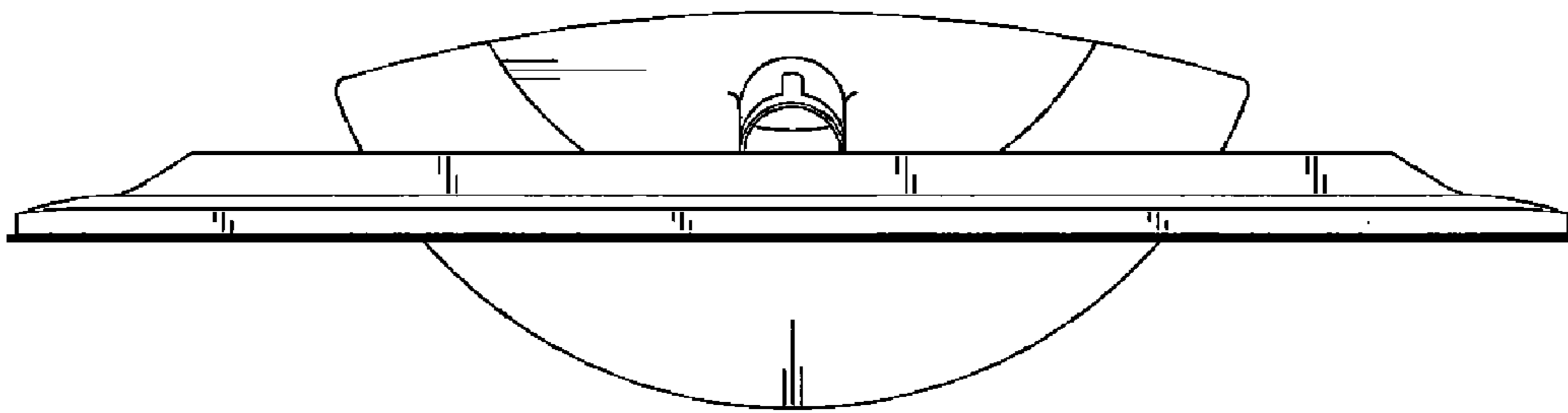


FIG. 7

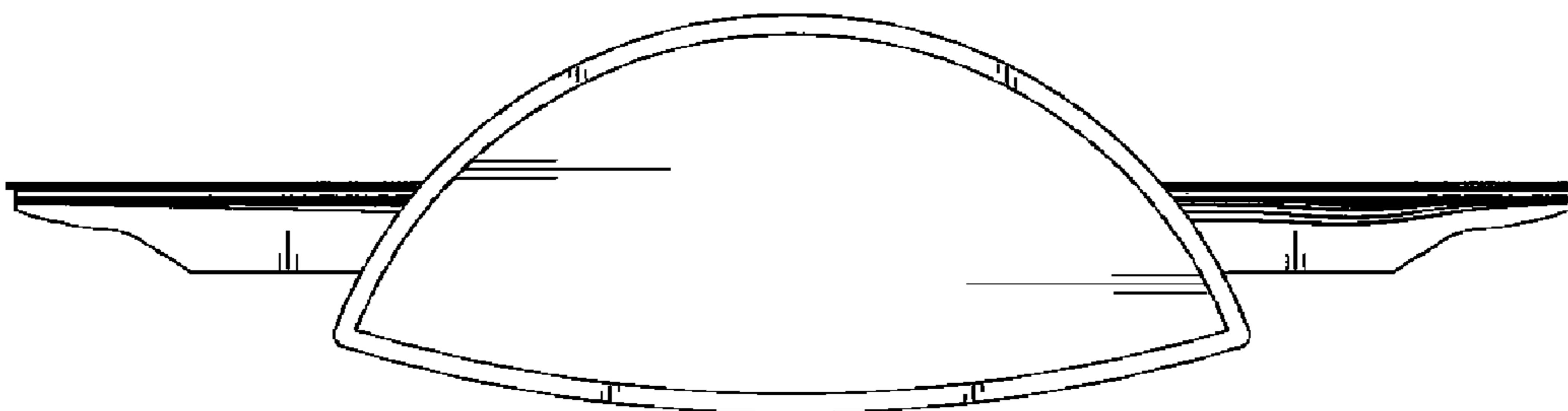


FIG. 8

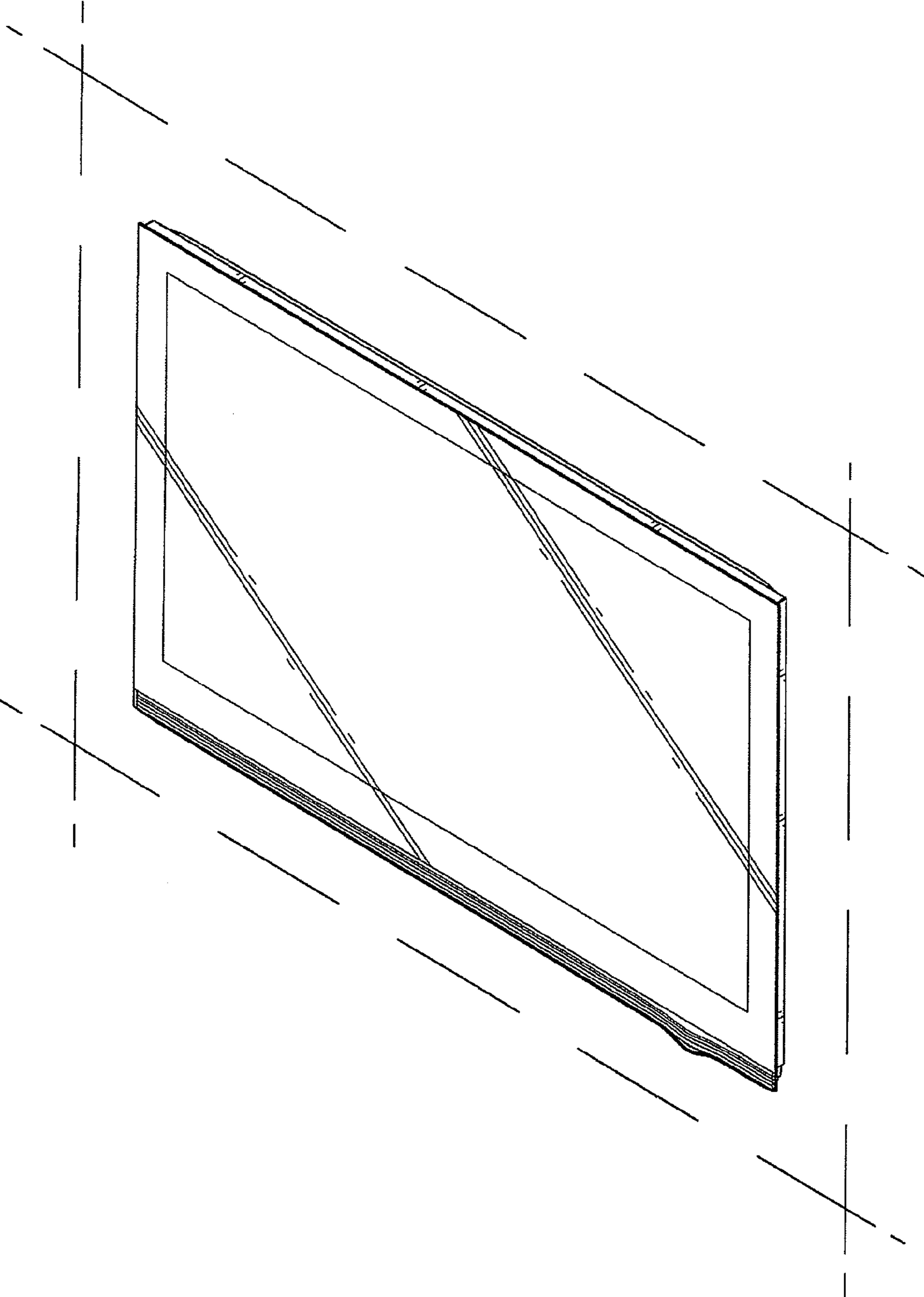


FIG. 9

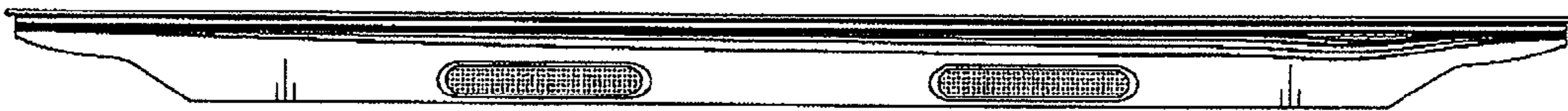


FIG. 10

