



US00D616397S

(12) **United States Design Patent**  
**Tai**

(10) **Patent No.:** **US D616,397 S**  
(45) **Date of Patent:** **\*\* May 25, 2010**

- (54) **WATER-PROOF DOOR FOR ELECTRONIC DEVICE**
- (75) Inventor: **Kuang-Cheng Tai**, Hsinchu (TW)
- (73) Assignee: **Getac Technology Corporation**, Hsinchu (TW)
- (\*\*) Term: **14 Years**
- (21) Appl. No.: **29/346,411**
- (22) Filed: **Oct. 30, 2009**
- (30) **Foreign Application Priority Data**  
Aug. 19, 2009 (CN) ..... 2009 3 0195484
- (51) **LOC (9) Cl.** ..... **13-99**
- (52) **U.S. Cl.** ..... **D13/184**
- (58) **Field of Classification Search** ..... D13/184,  
D13/199, 158, 177; D8/349, 343, 400, 499,  
D8/338, 339, 331; 361/679.1, 600  
See application file for complete search history.

- (56) **References Cited**  
U.S. PATENT DOCUMENTS  
D359,444 S \* 6/1995 Johansson ..... D8/382  
(Continued)

*Primary Examiner*—T. Chase Nelson  
*Assistant Examiner*—Ania K Dworzecka  
 (74) *Attorney, Agent, or Firm*—Quintero Law Office, PC

(57) **CLAIM**

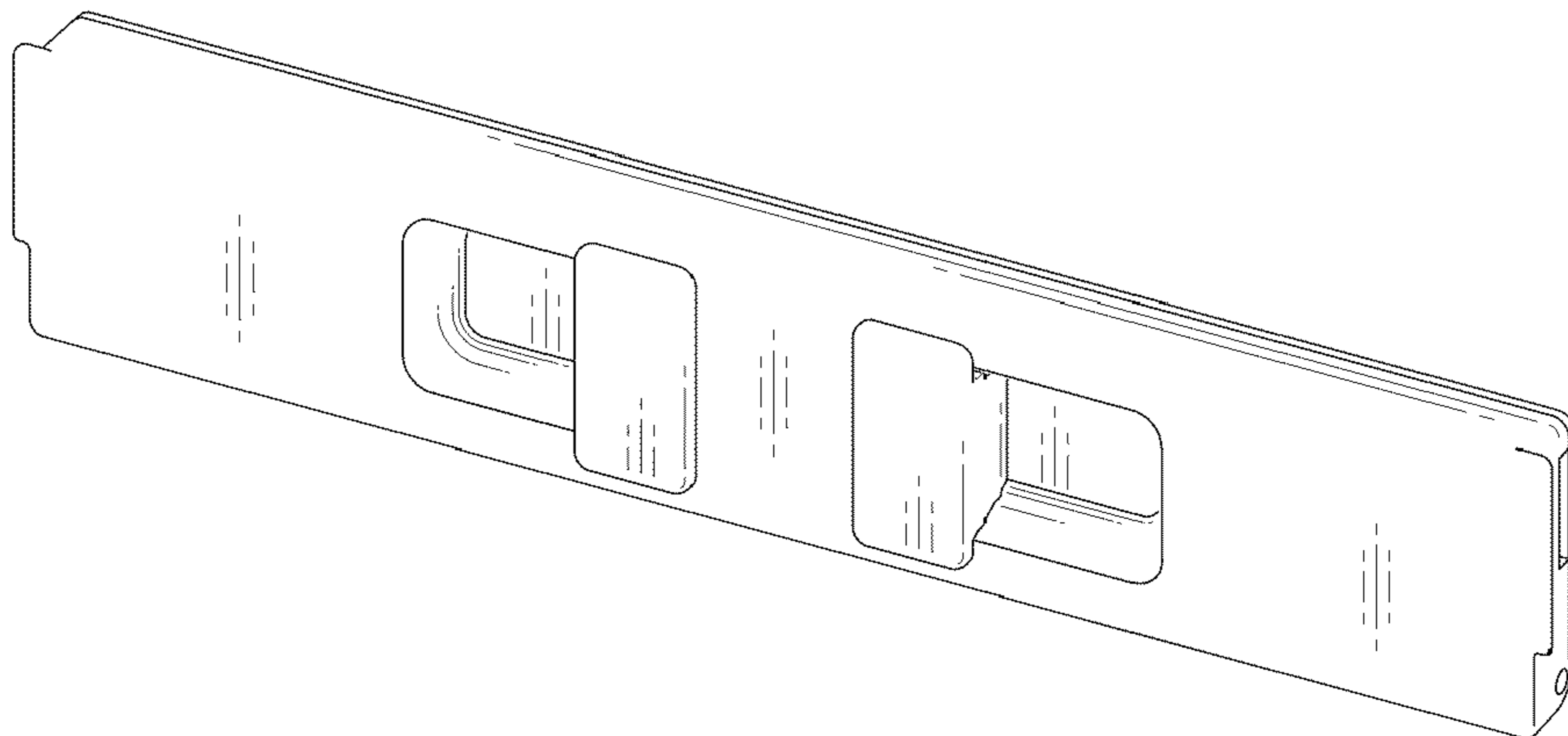
The ornamental design for a water-proof door for an electronic device, as shown and described.

**DESCRIPTION**

- FIG. 1 is a perspective view of a water-proof door for an electronic device showing my new design;
- FIG. 2 is a front elevational view thereof;
- FIG. 3 is a rear elevational view thereof;
- FIG. 4 is a right side elevational view thereof;
- FIG. 5 is a left side elevational view thereof;

- FIG. 6 is a top plan view thereof;
  - FIG. 7 is a bottom plan view thereof;
  - FIG. 8 is perspective view thereof illustrating environment structure in broken lines;
  - FIG. 9 is a perspective view of a water-proof door for an electronic device of a second embodiment of my new design, wherein each tab has a horizontal ridge;
  - FIG. 10 is a front elevational view of FIG. 9 thereof;
  - FIG. 11 is a rear elevational view of FIG. 9 thereof;
  - FIG. 12 is a right side elevational view of FIG. 9 thereof;
  - FIG. 13 is a left side elevational view of FIG. 9 thereof;
  - FIG. 14 is a top plan view of FIG. 9 thereof;
  - FIG. 15 is a bottom plan view of FIG. 9 thereof;
  - FIG. 16 is a perspective view of a water-proof door for an electronic device of a third embodiment of my new design, wherein each tab has a small arrow;
  - FIG. 17 is a front elevational view of FIG. 16 thereof;
  - FIG. 18 is a rear elevational view of FIG. 16 thereof;
  - FIG. 19 is a right side elevational view of FIG. 16 thereof;
  - FIG. 20 is a left side elevational view of FIG. 16 thereof;
  - FIG. 21 is a top plan view of FIG. 16 thereof;
  - FIG. 22 is a bottom plan view of FIG. 16 thereof;
  - FIG. 23 is a perspective view of a water-proof door for an electronic device of a fourth embodiment of my new design, wherein each tab has a large arrow;
  - FIG. 24 is a front elevational view of FIG. 23 thereof;
  - FIG. 25 is a rear elevational view of FIG. 23 thereof;
  - FIG. 26 is a right side elevational view of FIG. 23 thereof;
  - FIG. 27 is a left side elevational view of FIG. 23 thereof;
  - FIG. 28 is a top plan view of FIG. 23 thereof; and,
  - FIG. 29 is a bottom plan view of FIG. 23 thereof.
- The broken lines which illustrate the environmental structure of the claimed design form no part thereof.

**1 Claim, 13 Drawing Sheets**



# US D616,397 S

Page 2

---

## U.S. PATENT DOCUMENTS

D415,406 S	*	10/1999	Weinerman et al. ....	D8/331	D520,329 S	*	5/2006	Schlack et al. ....	D8/302
D442,463 S	*	5/2001	Tieu et al. ....	D8/330	D521,791 S	*	5/2006	Spence .....	D6/580
D456,688 S	*	5/2002	Polowinczak et al. ....	D8/302	D608,181 S	*	1/2010	Koizumi .....	D8/354

\* cited by examiner

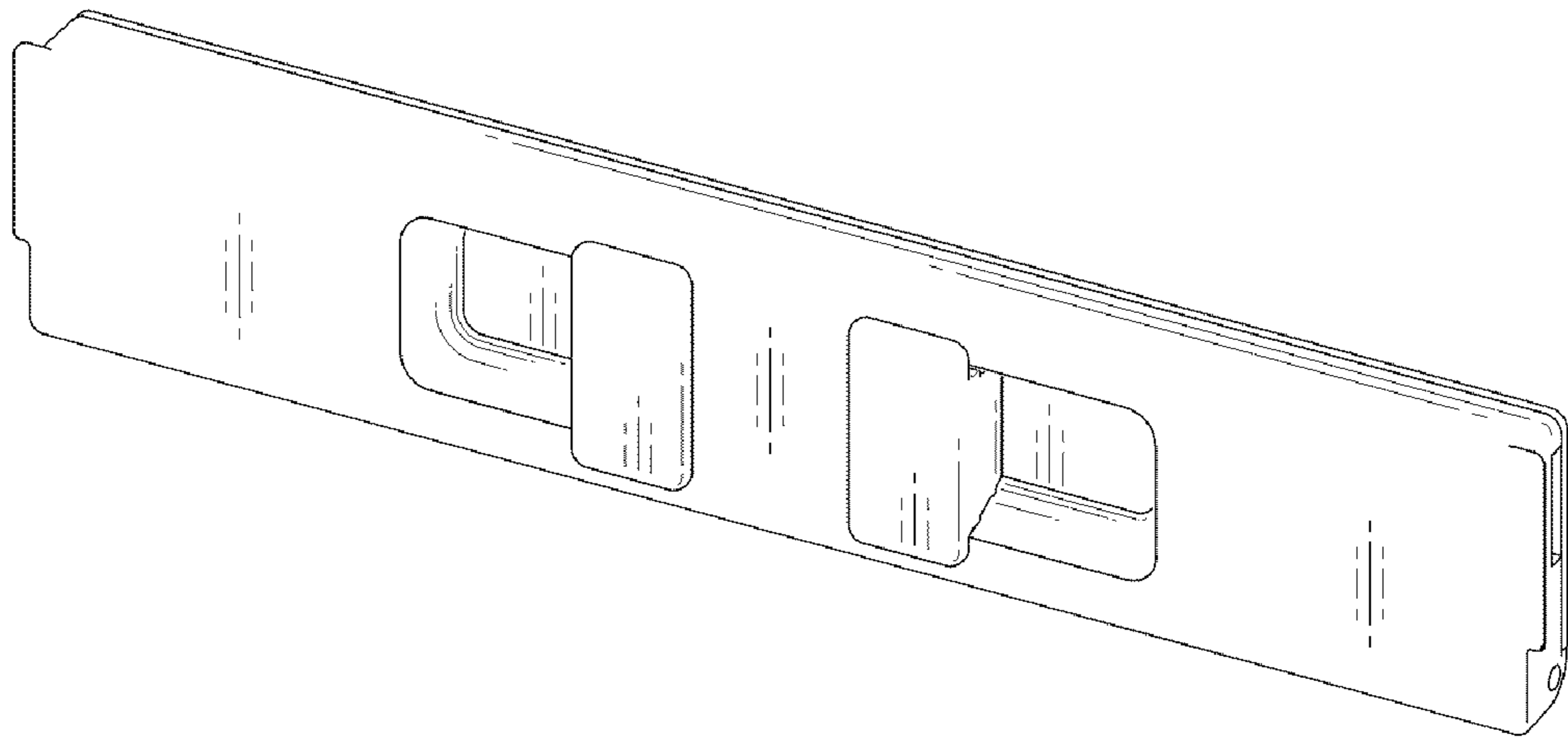


Fig. 1

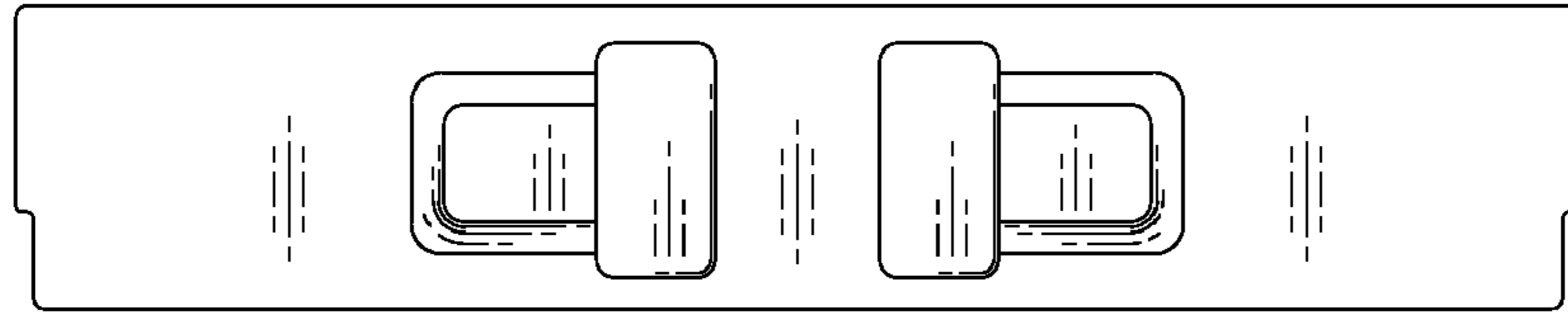


Fig. 2

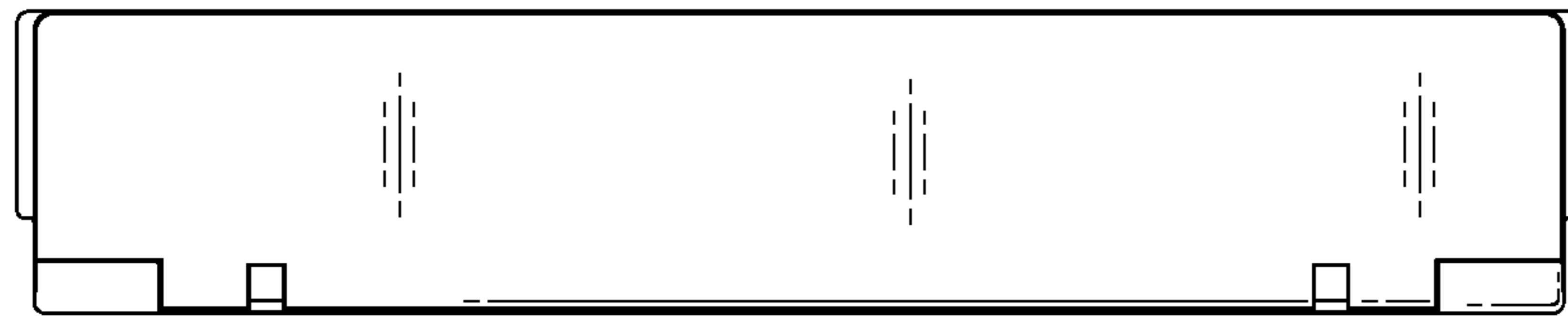


Fig. 3

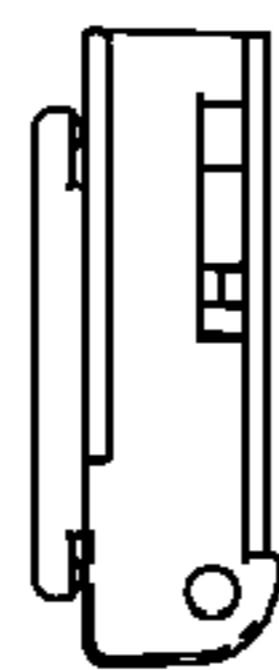


Fig. 4

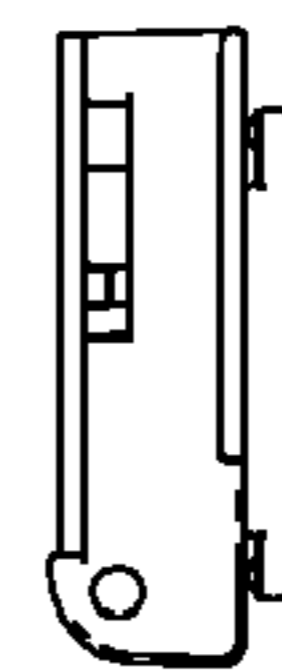


Fig. 5

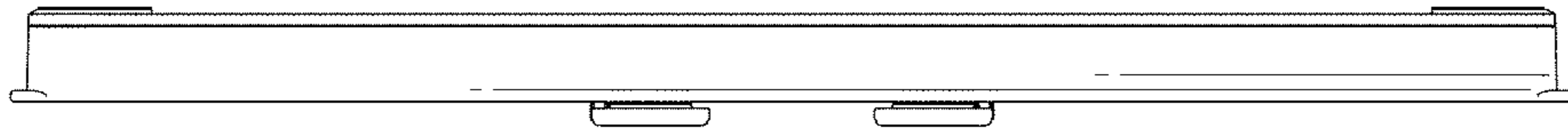


Fig. 6

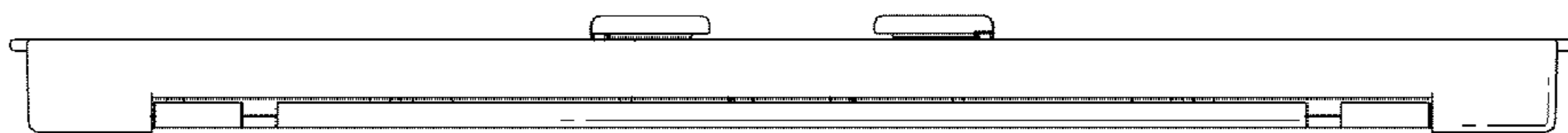


Fig. 7

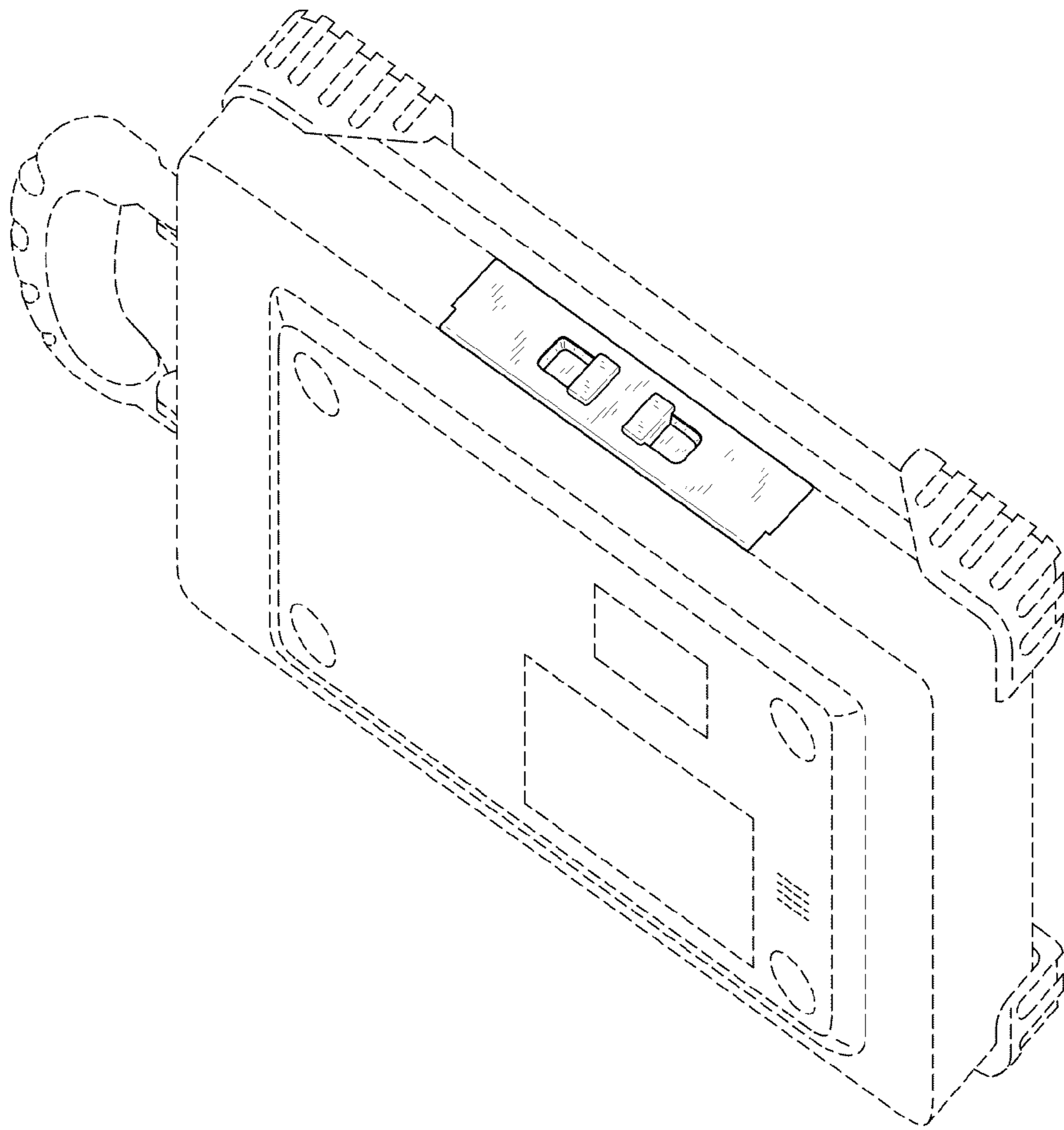


FIG. 8

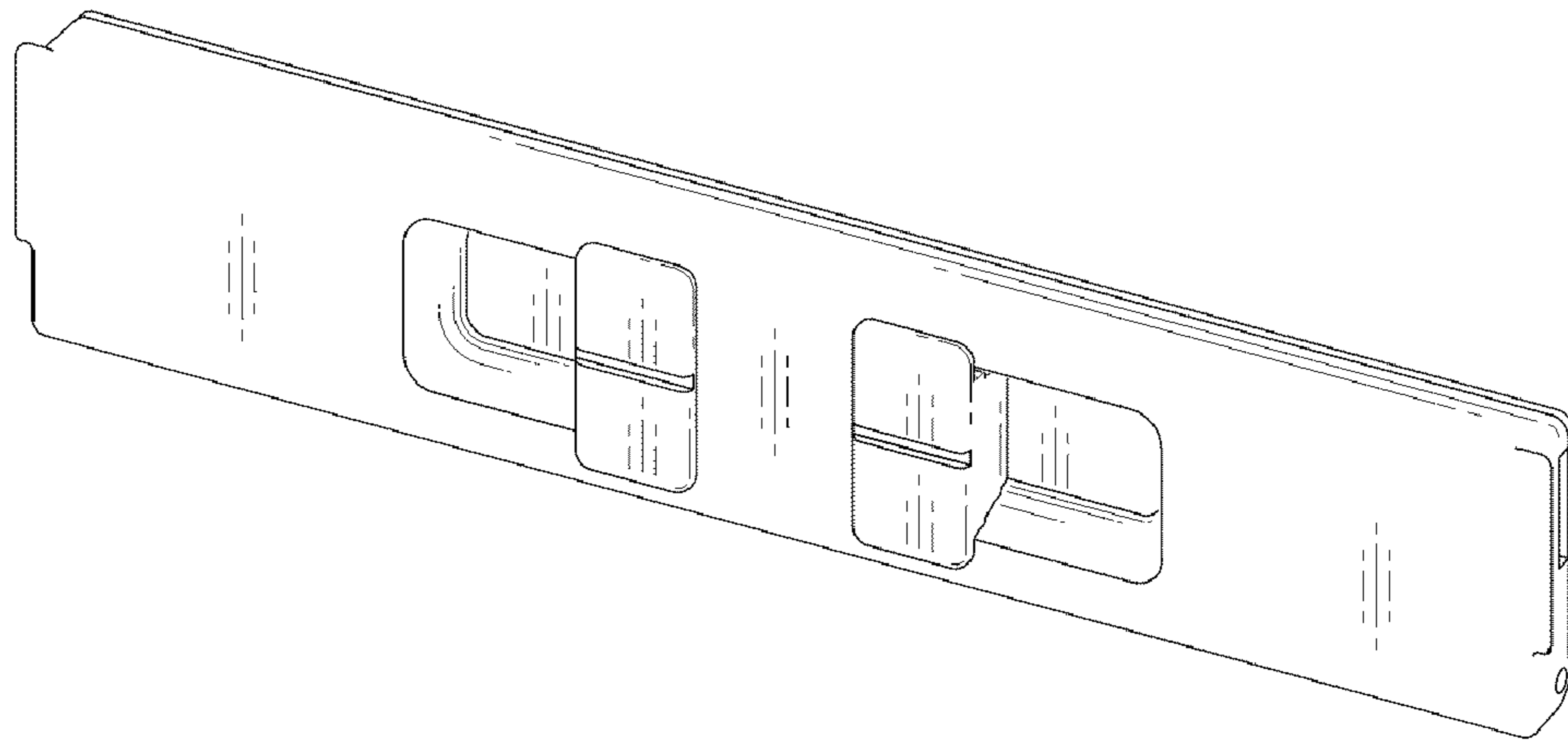


Fig. 9

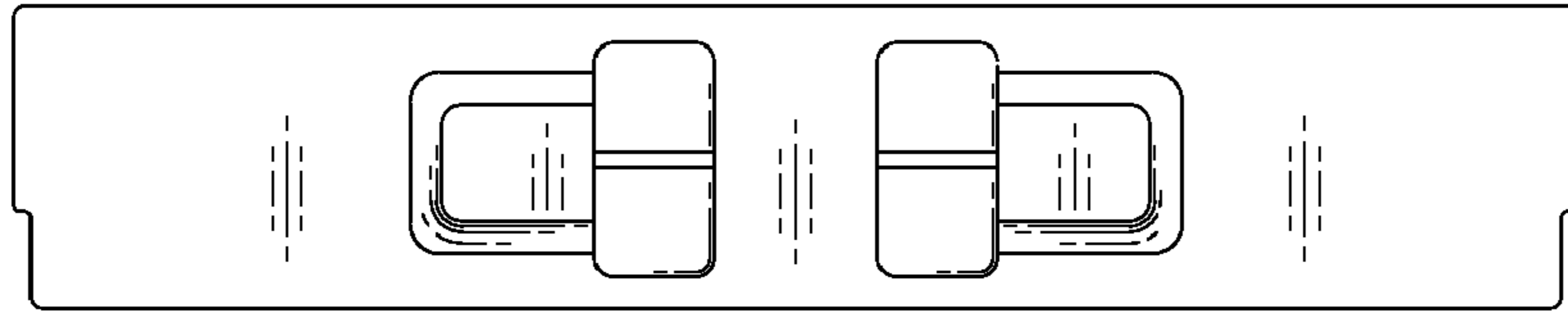


Fig. 10

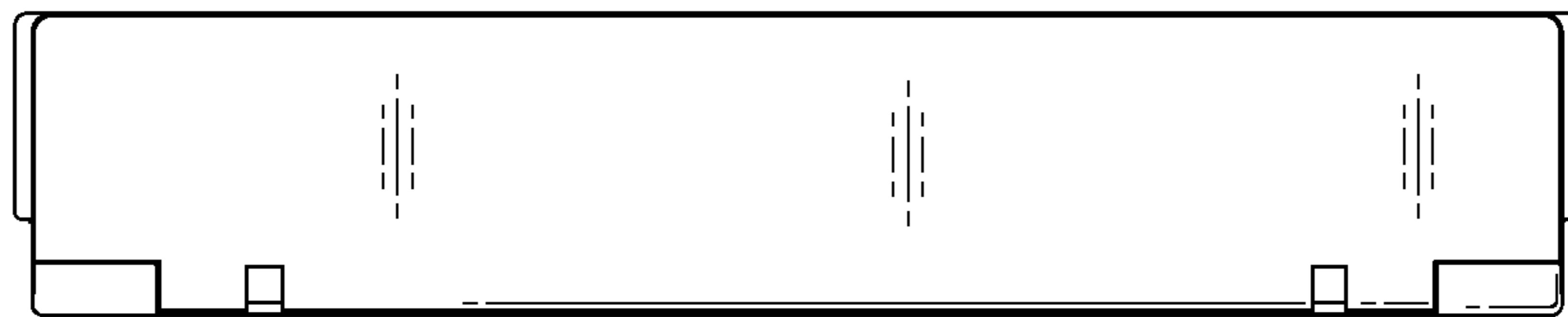


Fig. 11

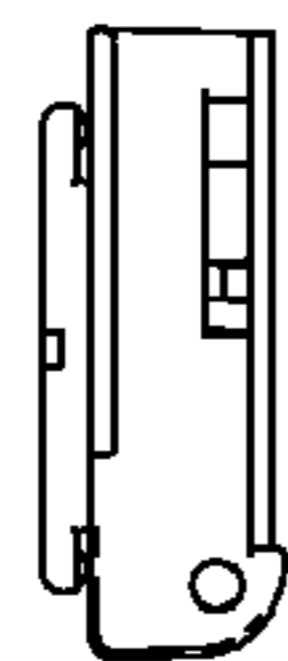


Fig. 12

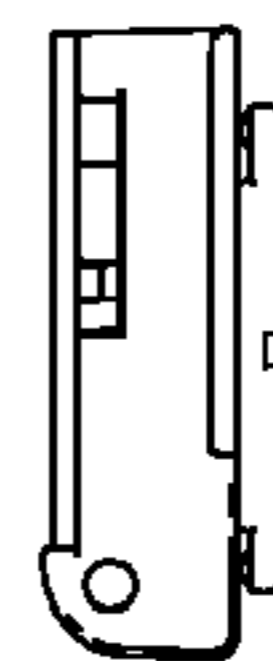


Fig. 13



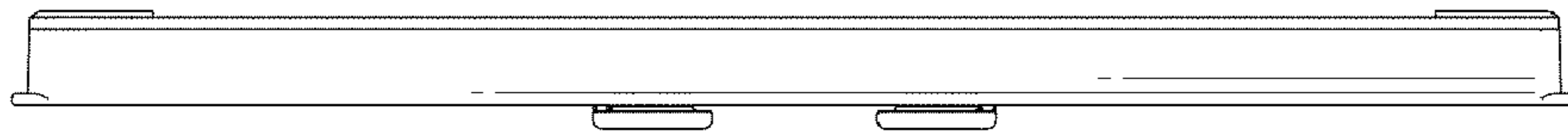


Fig. 14



Fig. 15

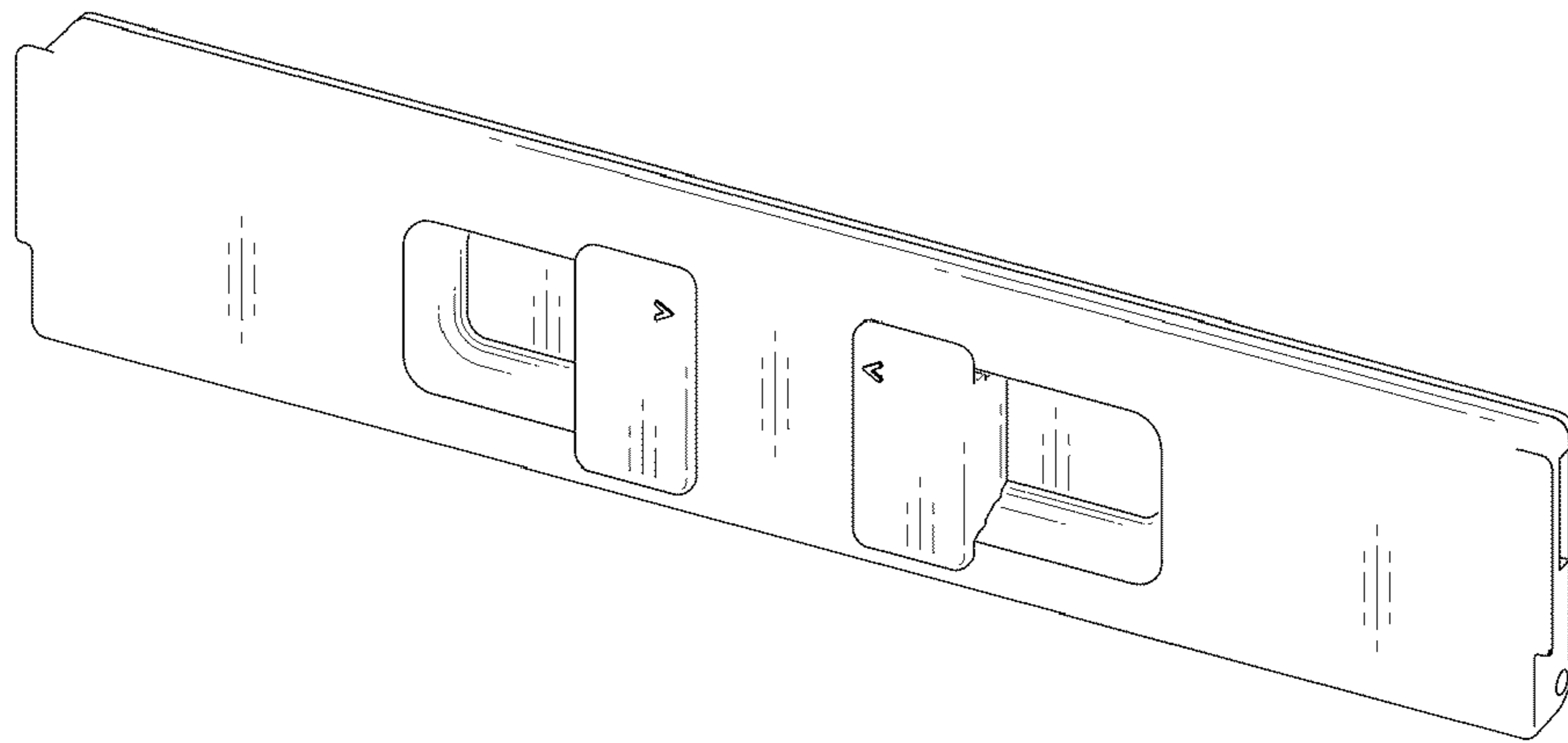


Fig. 16

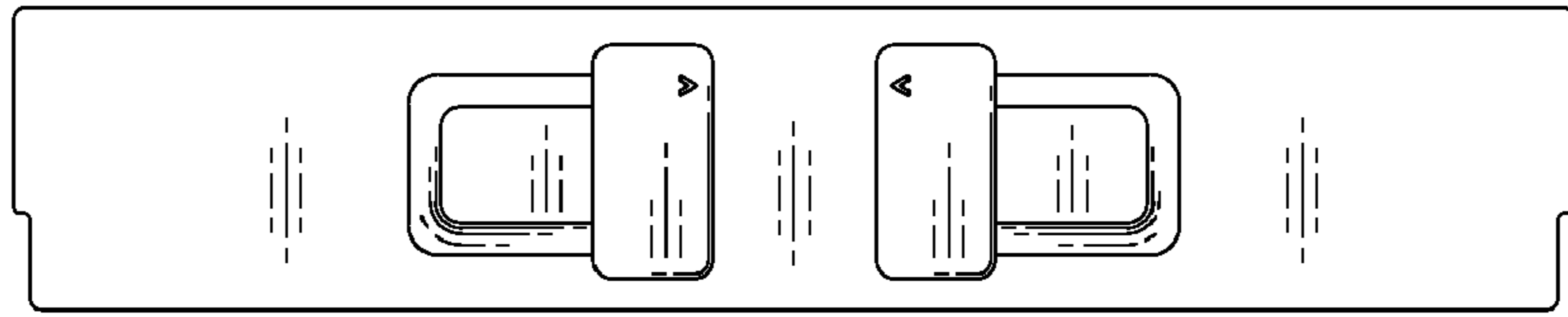


Fig. 17

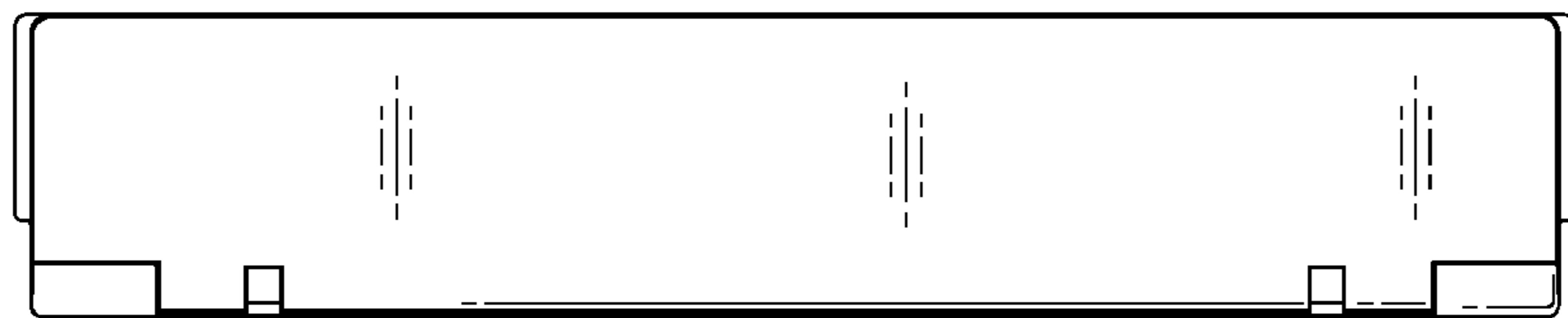


Fig. 18

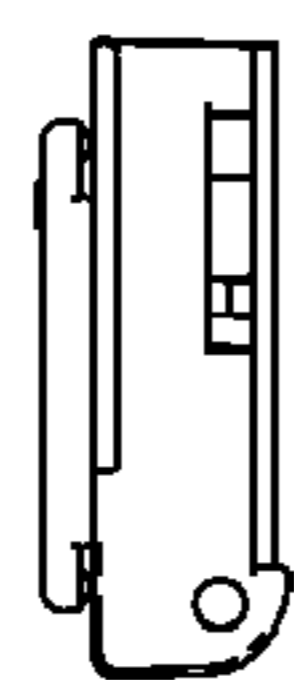


Fig. 19

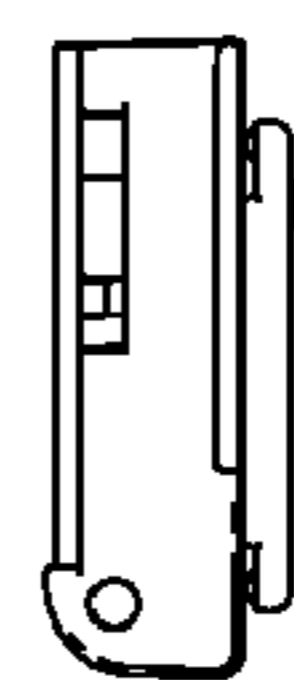


Fig. 20

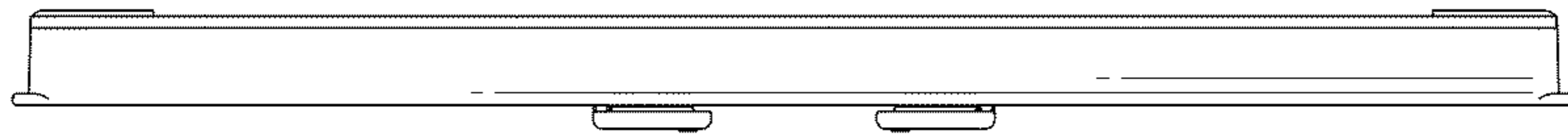


Fig. 21

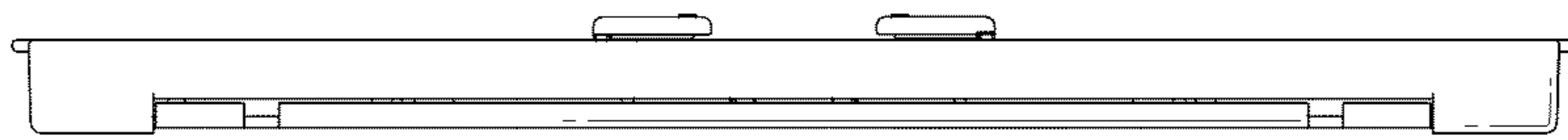


Fig. 22

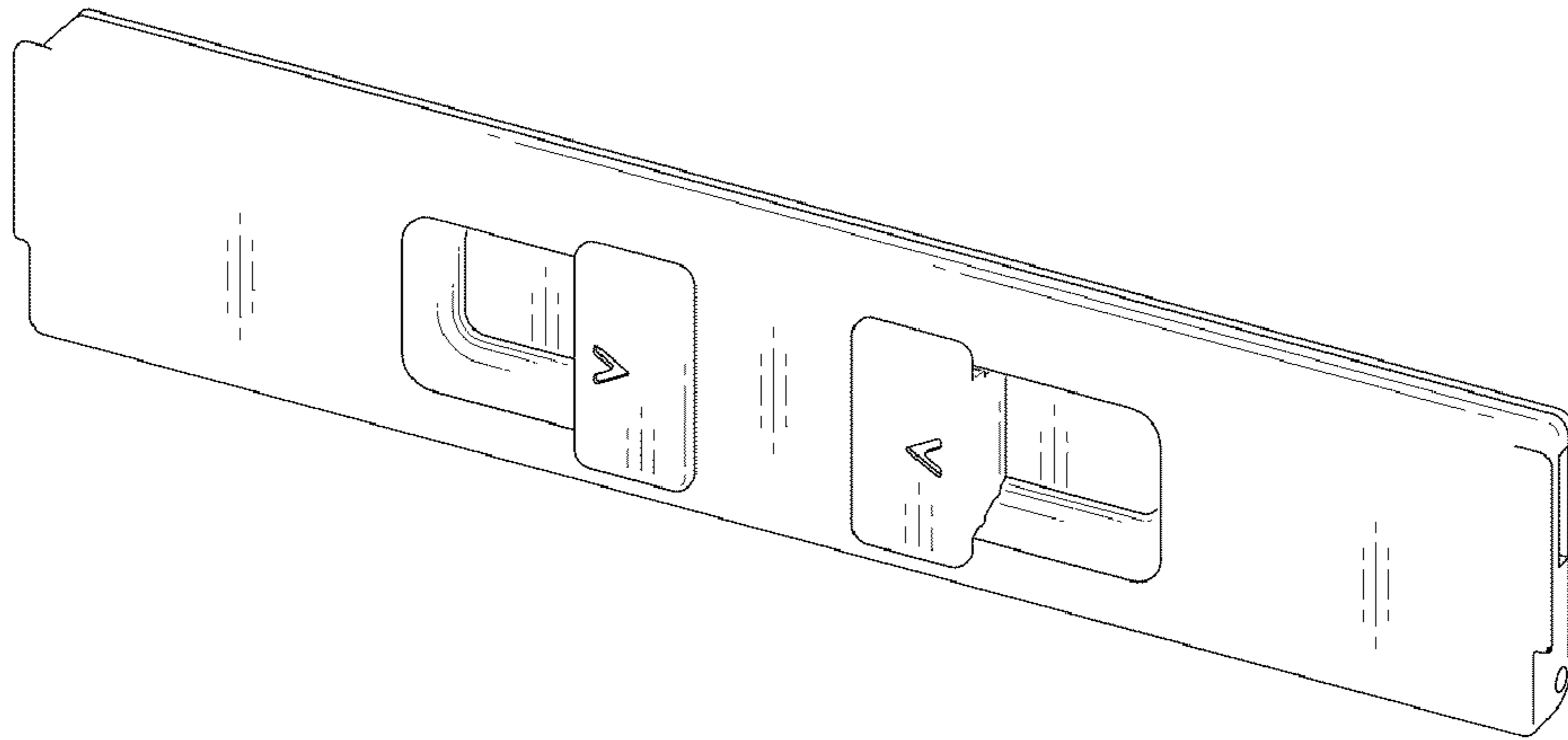


Fig. 23

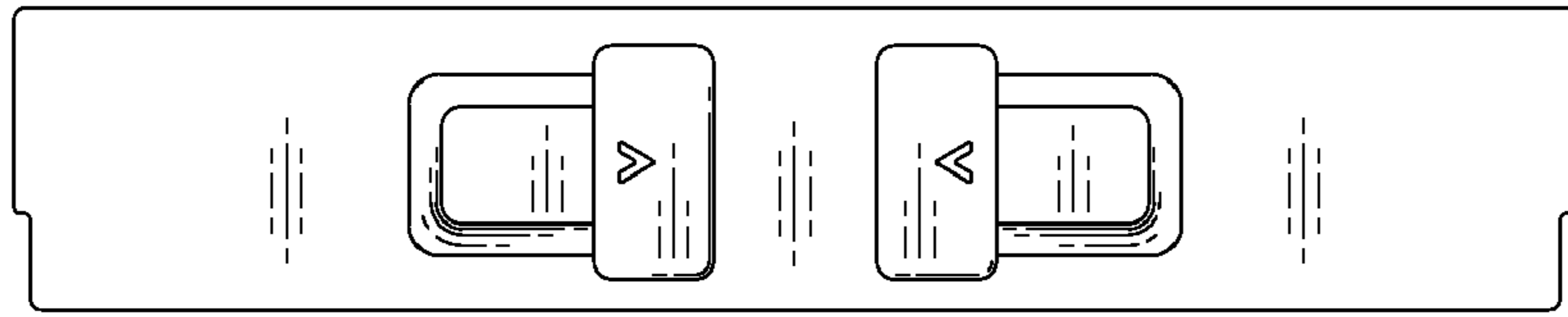


Fig. 24

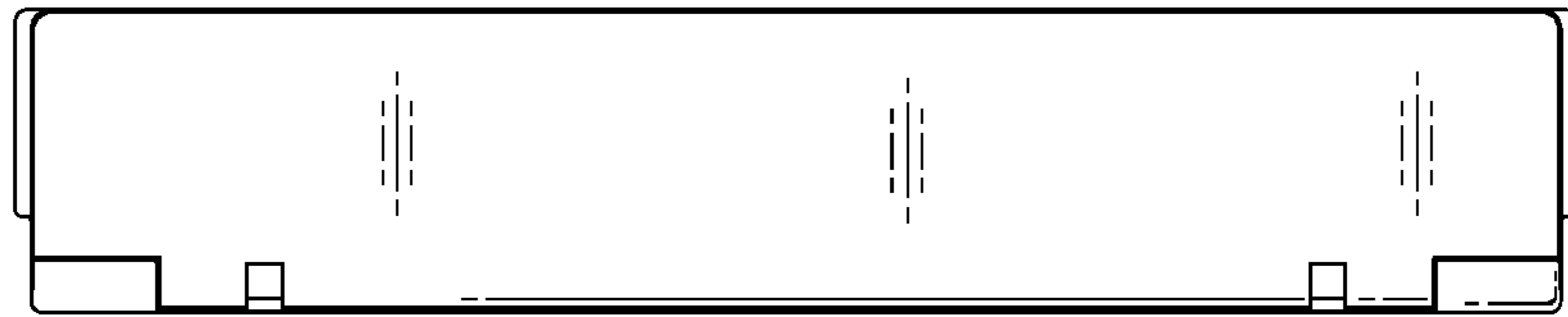


Fig. 25

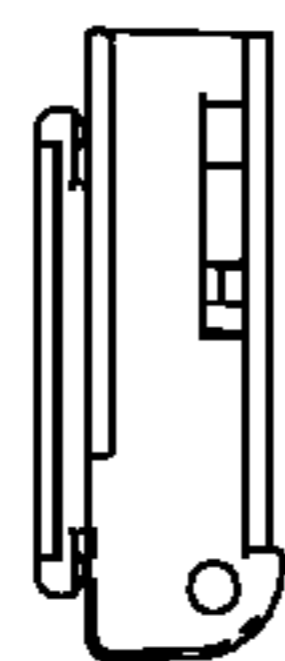


Fig. 26

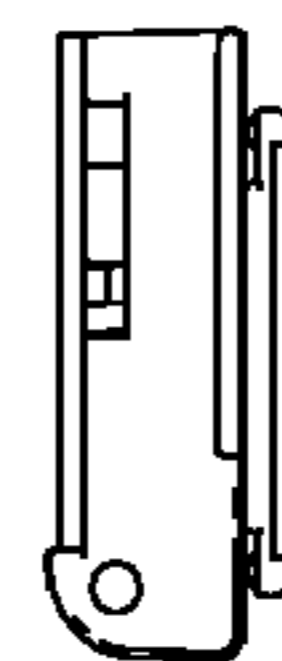


Fig. 27

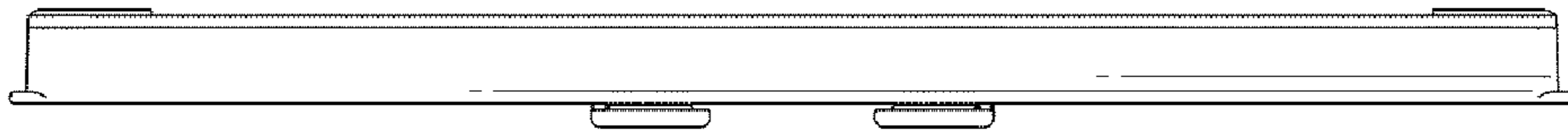


Fig. 28

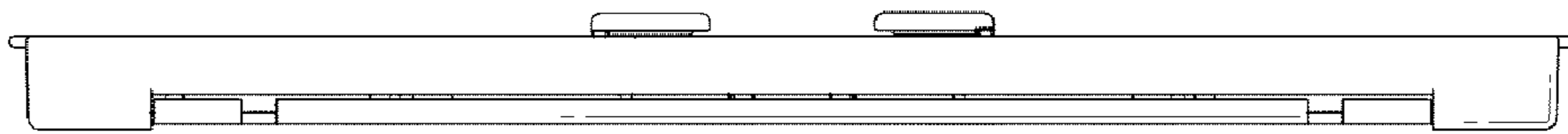


Fig. 29