



US00D616396S

(12) **United States Design Patent**  
**Sato**

(10) **Patent No.:** **US D616,396 S**

(45) **Date of Patent:** **\*\* May 25, 2010**

(54) **PEDESTAL OF HEAT INSULATING  
CYLINDER FOR MANUFACTURING  
SEMICONDUCTOR WAFERS**

7,484,958 B2 \* 2/2009 Kobayashi ..... 432/258  
7,501,370 B2 \* 3/2009 Narendar et al. .... 501/88

\* cited by examiner

(75) Inventor: **Izumi Sato**, Oshu (JP)

*Primary Examiner*—Selina Sikder

(74) *Attorney, Agent, or Firm*—Burr & Brown

(73) Assignee: **Tokyo Electron Limited**, Minato-Ku  
(JP)

(57) **CLAIM**

(\*\*) Term: **14 Years**

The ornamental design for a pedestal of heat insulating cylinder for manufacturing semiconductor wafers, as shown and described.

(21) Appl. No.: **29/342,858**

(22) Filed: **Sep. 2, 2009**

**DESCRIPTION**

(30) **Foreign Application Priority Data**

Mar. 12, 2009 (JP) ..... 2009-005525

FIG. 1 is front perspective view of a pedestal of heat insulating cylinder for manufacturing semiconductor wafers illustrating my new design;

(51) **LOC (9) Cl.** ..... **13-03**

(52) **U.S. Cl.** ..... **D13/182**

(58) **Field of Classification Search** ..... D13/182;  
206/454, 711; 118/728, 729; 211/41.18;  
432/241, 253, 258; D6/407

See application file for complete search history.

FIG. 2 is a front view thereof;

FIG. 3 is a rear view thereof;

FIG. 4 is a right side view thereof;

FIG. 5 is a left side view thereof;

FIG. 6 is a top plan view thereof;

FIG. 7 is a bottom plan view thereof;

FIG. 8 is a cross-sectional view taken through line 8—8 of FIG. 2;

FIG. 9 is a cross-sectional view taken through line 9—9 of FIG. 2; and,

FIG. 10 is a front perspective view of a pedestal of heat insulating cylinder for manufacturing semiconductor wafers in use.

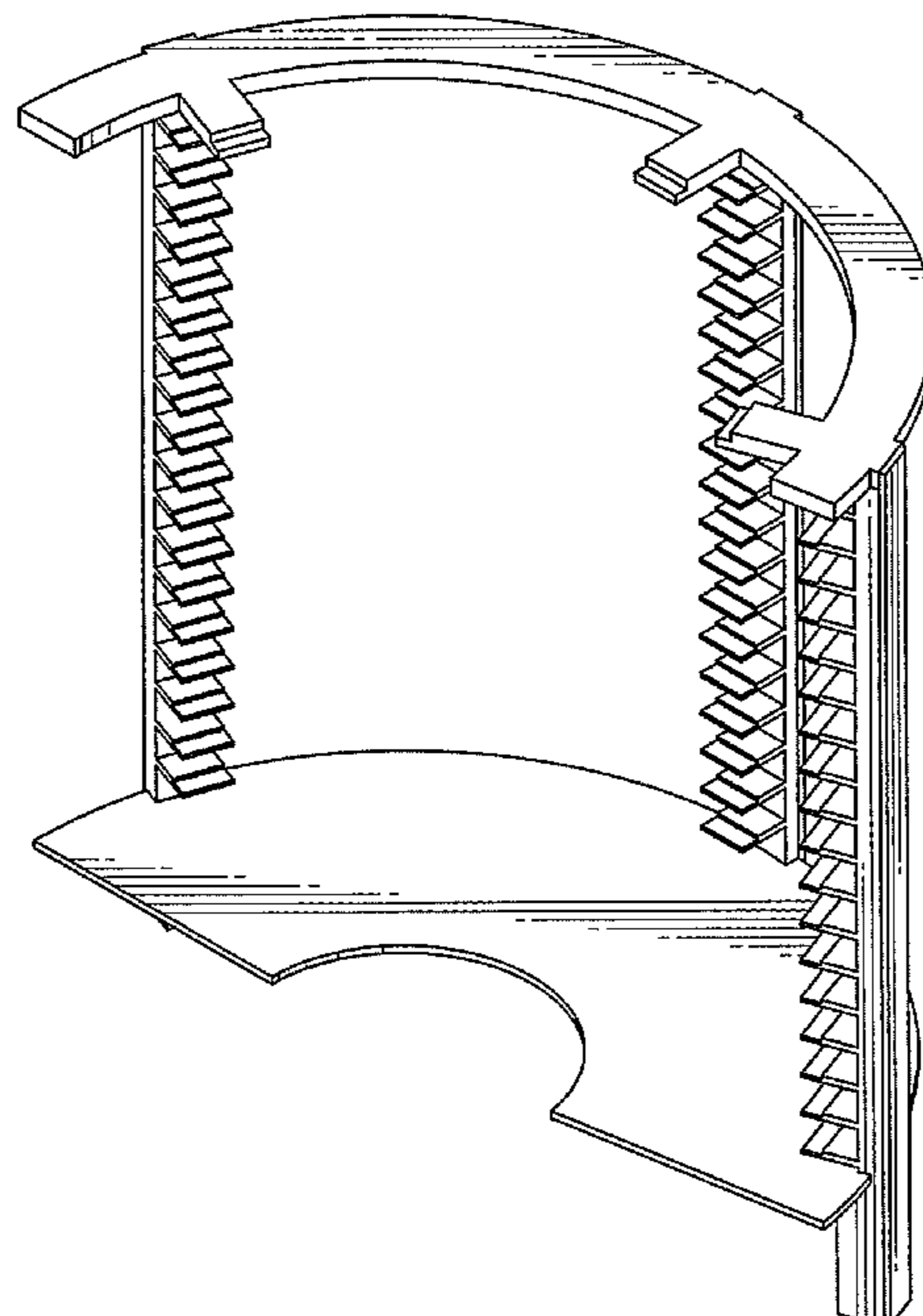
The broken lines are shown for illustrative purposes only and form no part of the claimed design.

(56) **References Cited**

**U.S. PATENT DOCUMENTS**

- 4,872,554 A \* 10/1989 Quernemoen ..... 206/454
- 5,897,311 A \* 4/1999 Nishi ..... 432/239
- D409,158 S \* 5/1999 Shimazu ..... D13/182
- 6,099,645 A \* 8/2000 Easley et al. .... 118/500
- 6,110,285 A \* 8/2000 Kitazawa et al. .... 118/715
- 6,488,497 B1 \* 12/2002 Buckley et al. .... 432/258
- 7,033,168 B1 \* 4/2006 Gupta et al. .... 432/253

**1 Claim, 8 Drawing Sheets**



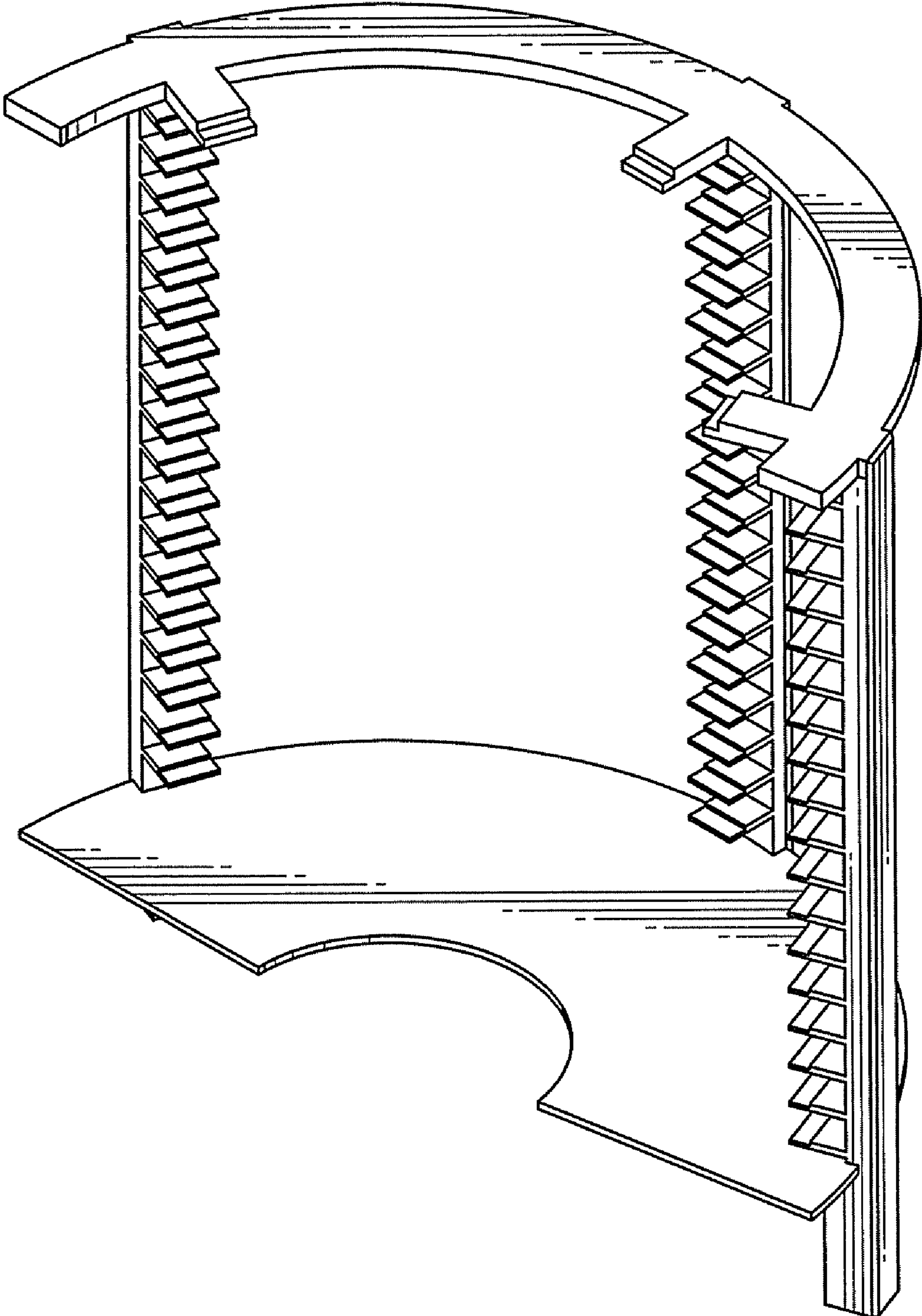


FIG. 1

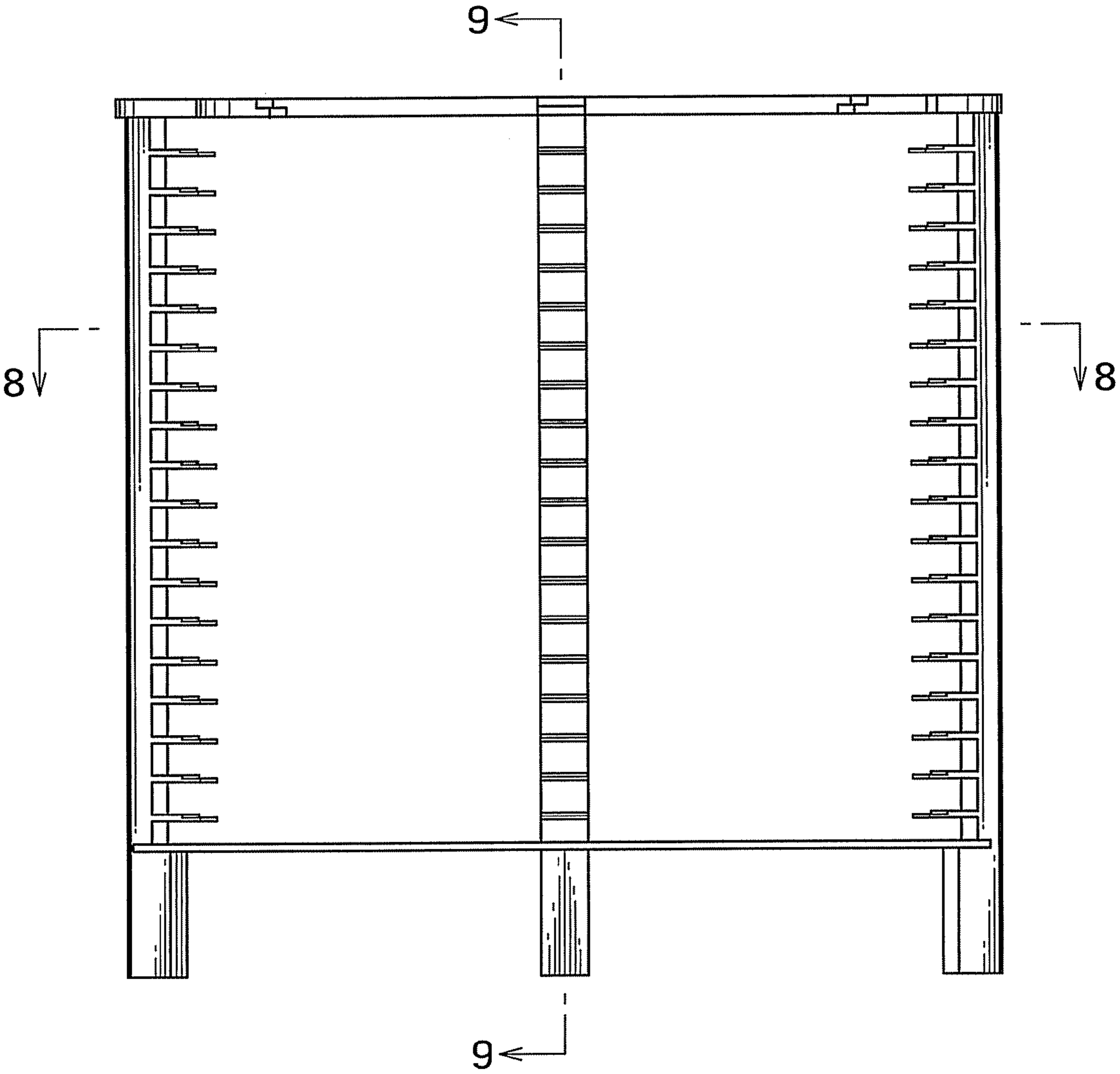


FIG. 2

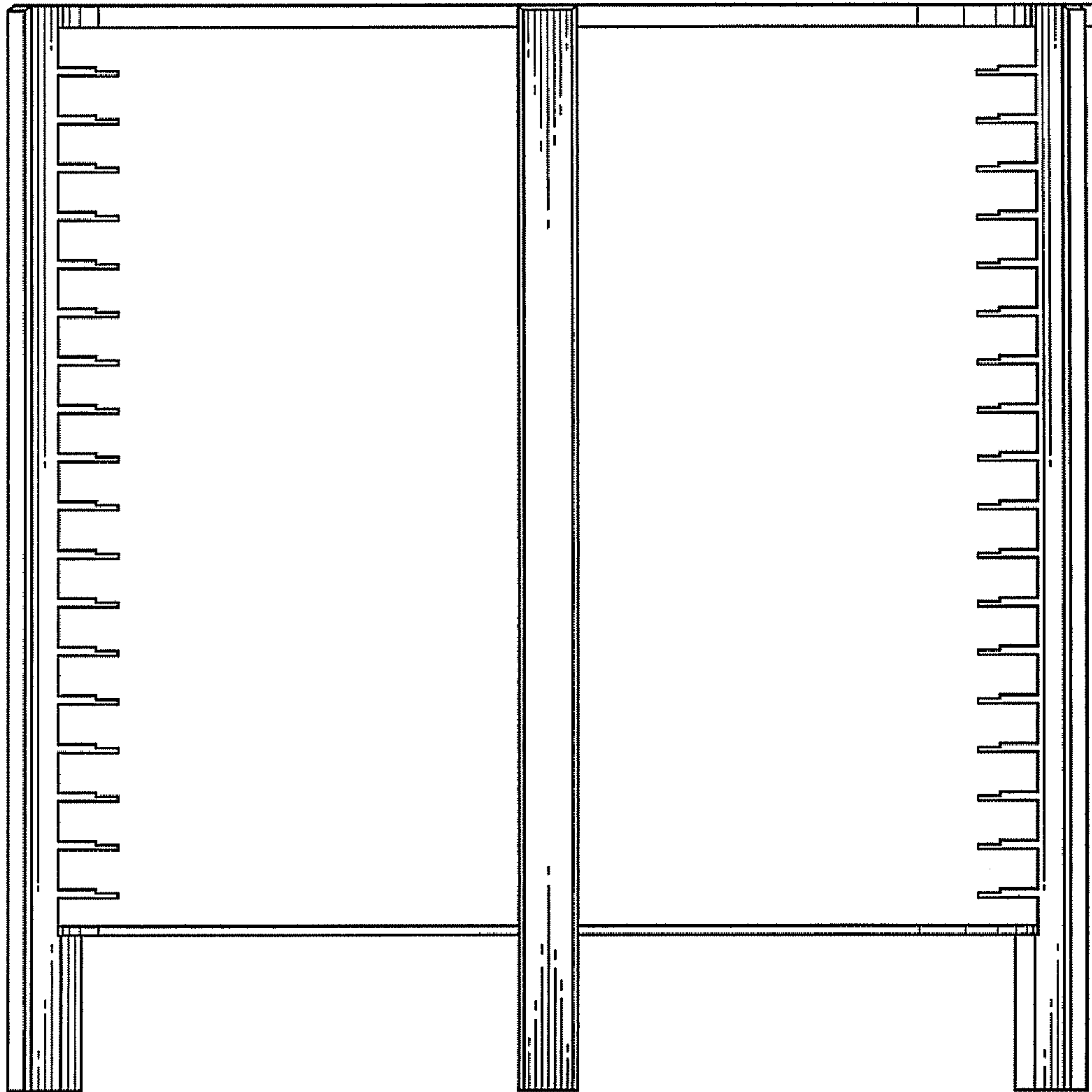


FIG. 3

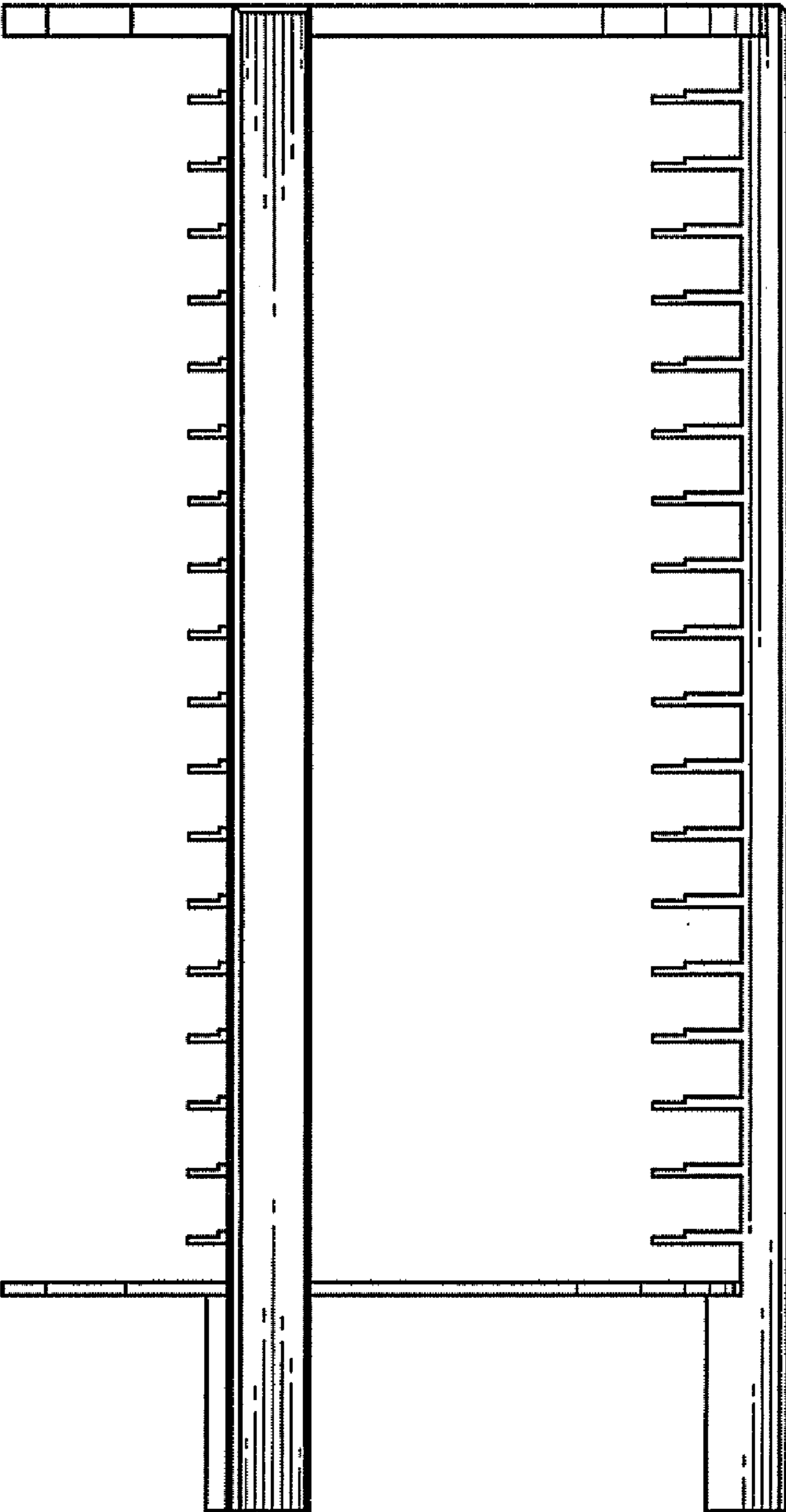


FIG. 4

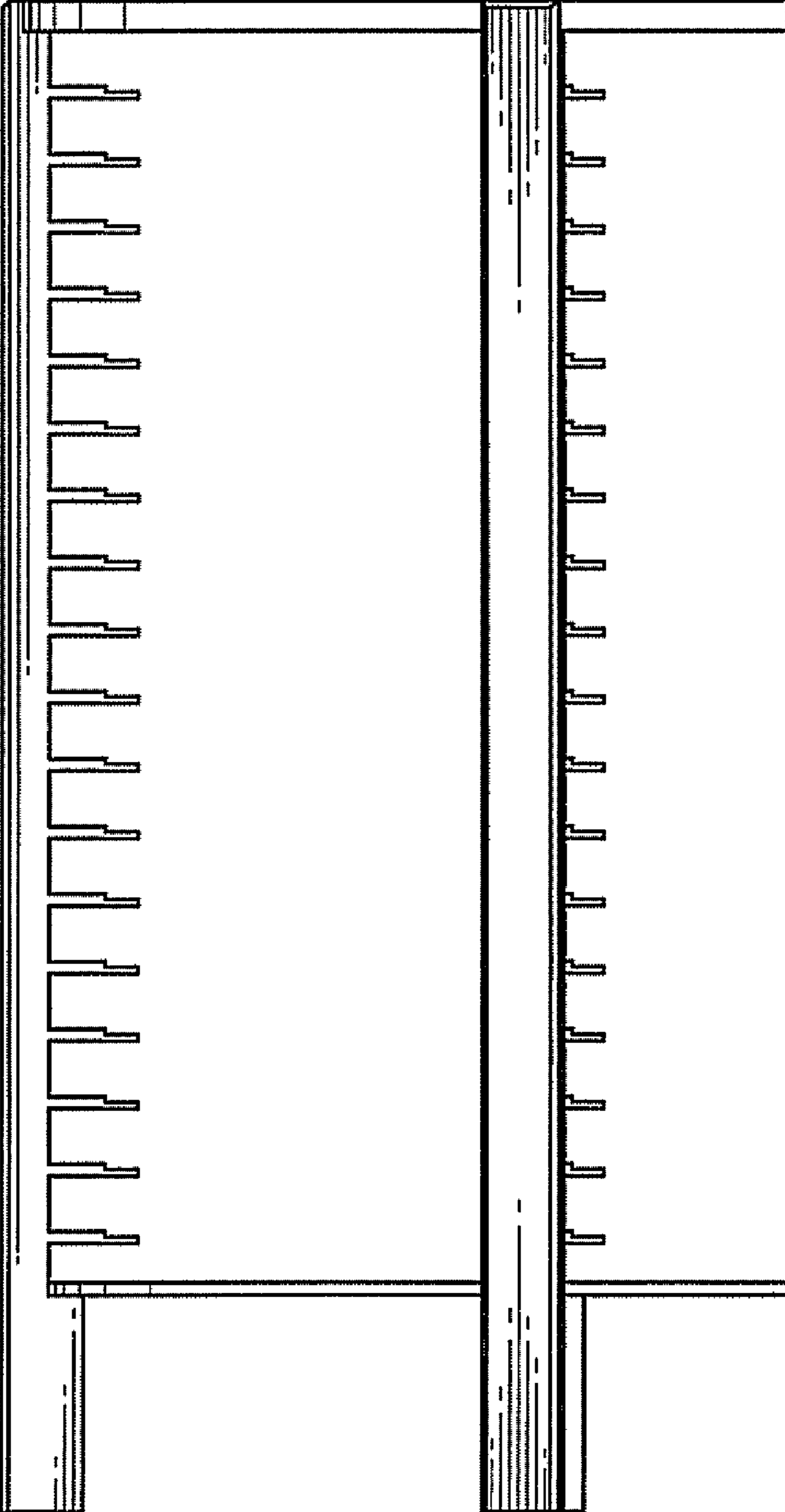


FIG. 5

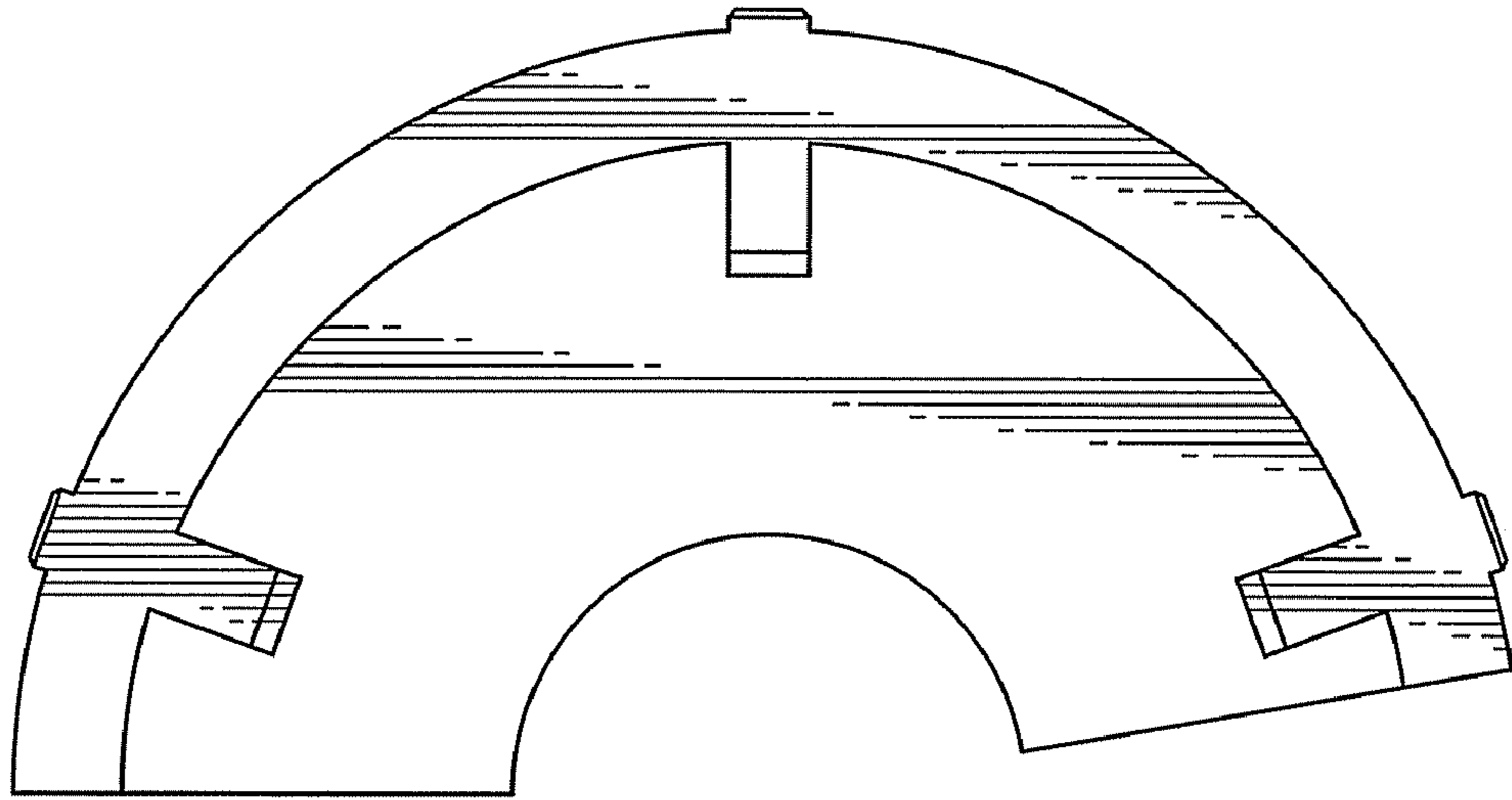


FIG. 6

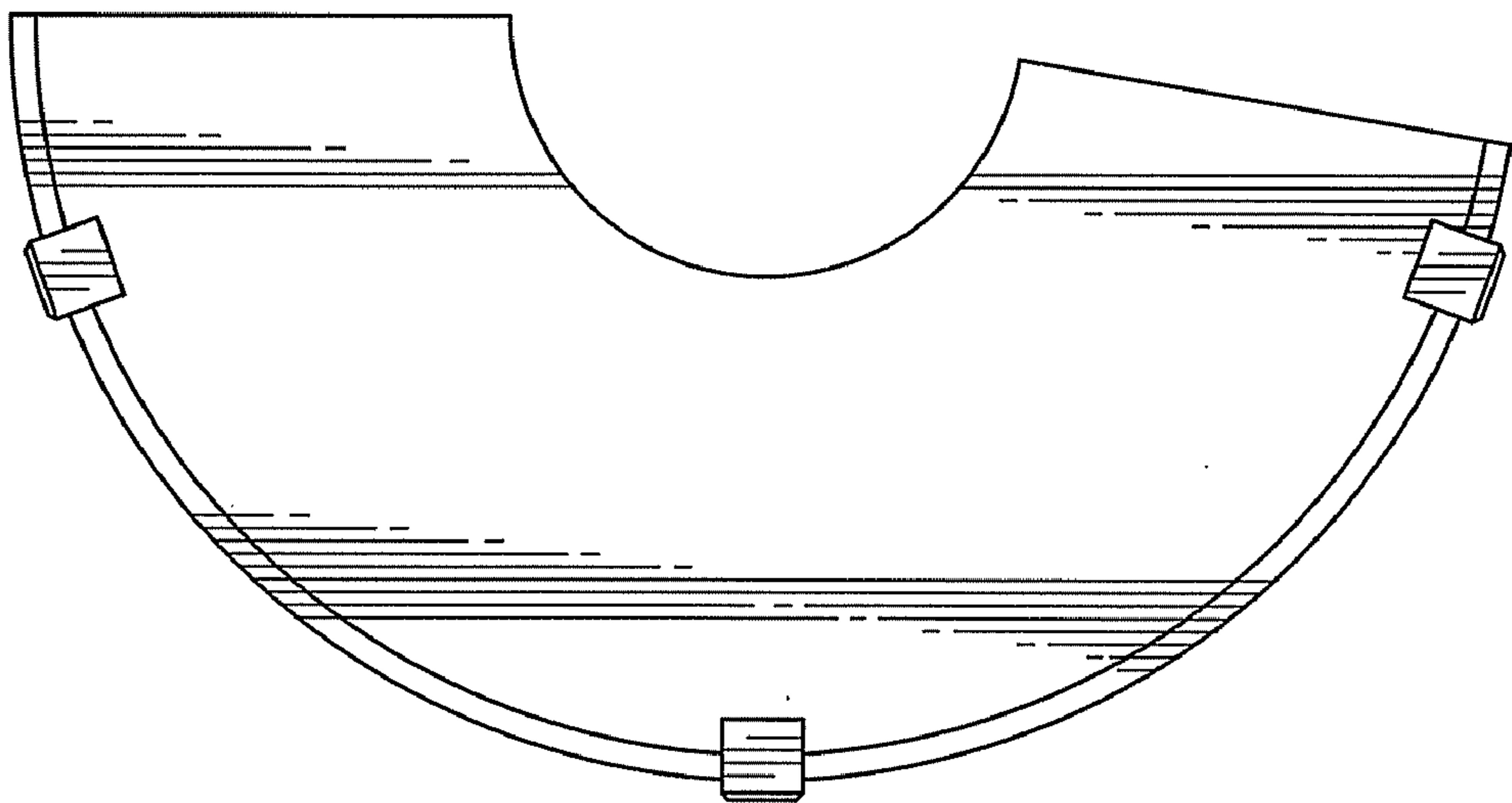


FIG. 7

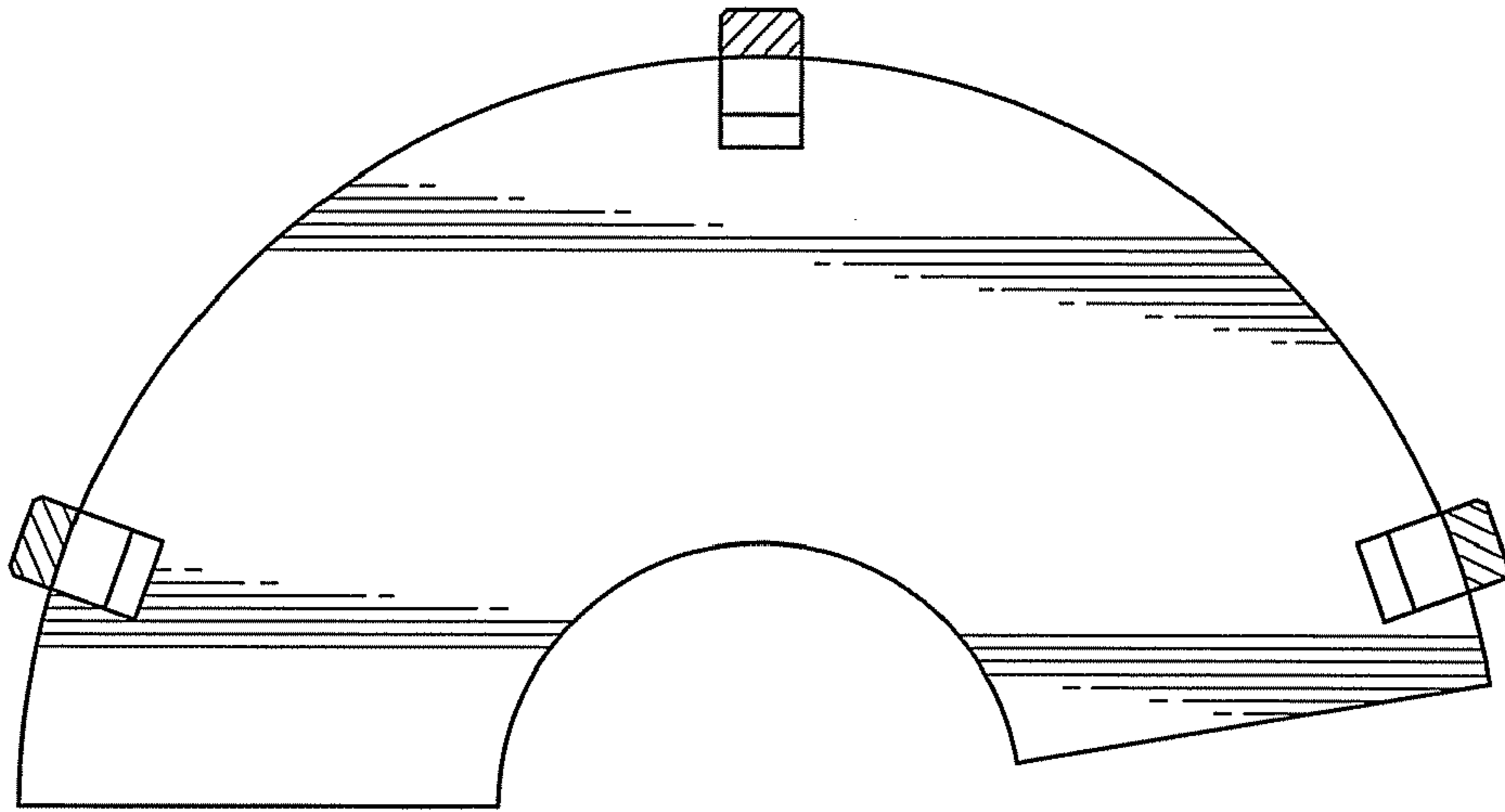


FIG. 8

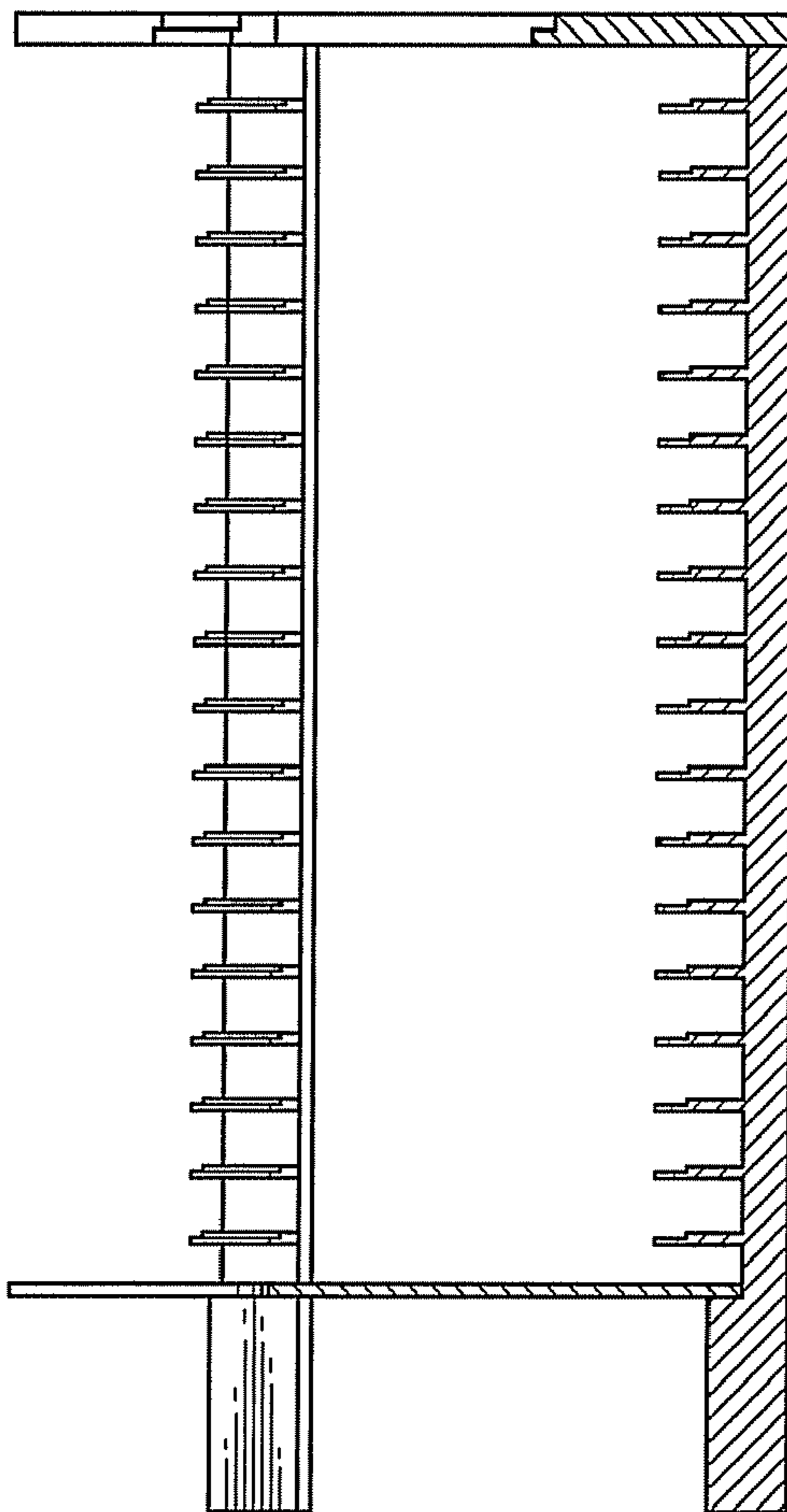


FIG. 9



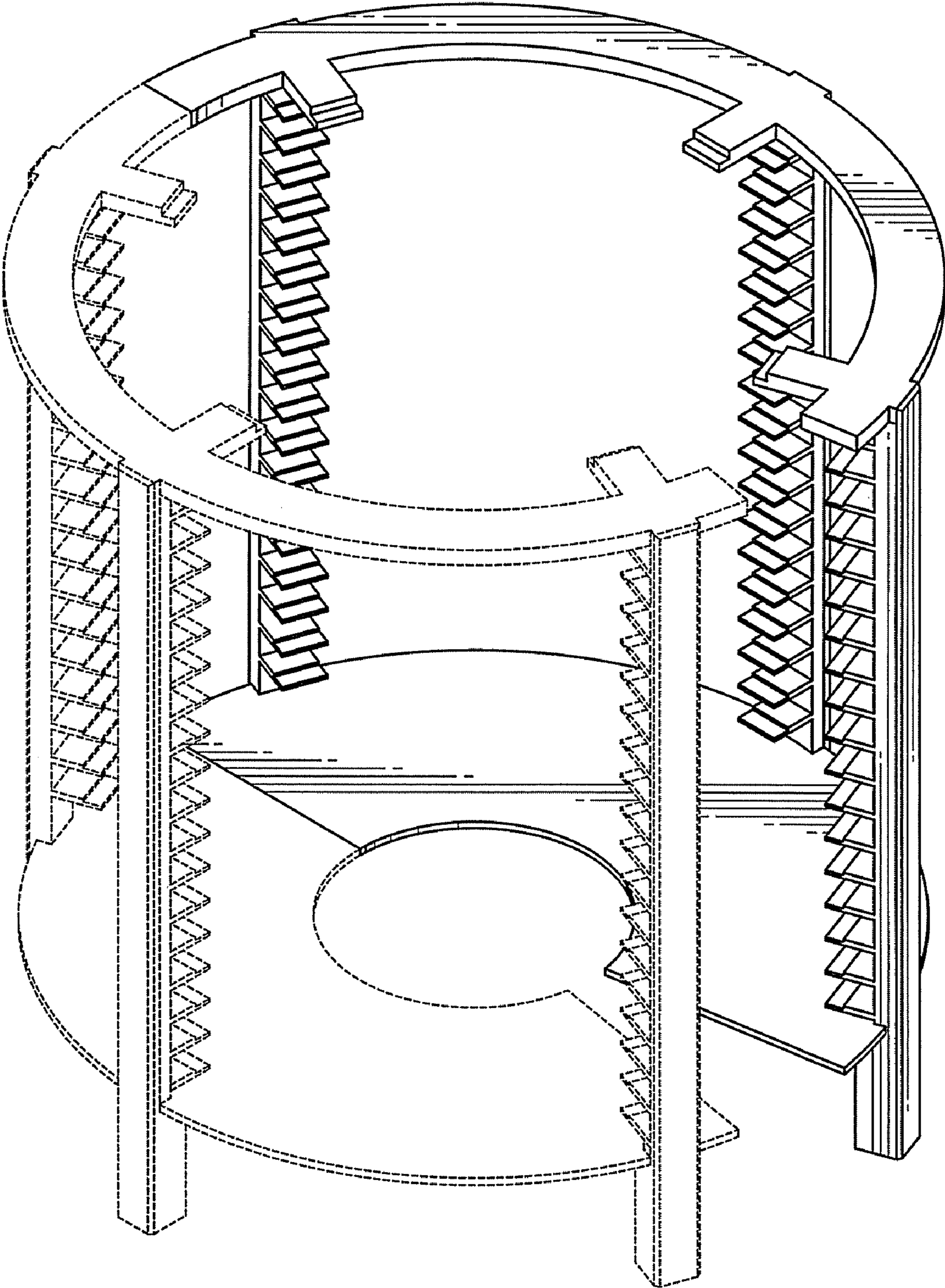


FIG. 10