



US00D616394S

(12) **United States Design Patent**
Sato

(10) **Patent No.:** **US D616,394 S**

(45) **Date of Patent:** **** May 25, 2010**

(54) **SUPPORT OF WAFER BOAT FOR
MANUFACTURING SEMICONDUCTOR
WAFERS**

6,716,027 B2 * 4/2004 Kim et al. 432/253
D570,308 S * 6/2008 Sato D13/182
D574,792 S * 8/2008 Sato D13/182
D579,885 S * 11/2008 Sato D13/182
D601,979 S * 10/2009 Sato D13/182

(75) Inventor: **Izumi Sato**, Oshu (JP)

* cited by examiner

(73) Assignee: **Tokyo Electron Limited**, Minato-Ku
(JP)

Primary Examiner—Selina Sikder

(74) *Attorney, Agent, or Firm*—Burr & Brown

(**) Term: **14 Years**

(21) Appl. No.: **29/342,854**

(22) Filed: **Sep. 2, 2009**

(57) **CLAIM**

The ornamental design for a support of wafer boat for manufacturing semiconductor wafers, as shown and described.

(30) **Foreign Application Priority Data**

Mar. 6, 2009 (JP) 2009-004989

DESCRIPTION

FIG. 1 is front perspective view of a support of wafer boat for manufacturing semiconductor wafers illustrating my new design;

(51) **LOC (9) Cl.** **13-03**

(52) **U.S. Cl.** **D13/182**

(58) **Field of Classification Search** D13/182;
206/454, 711; 118/728, 729; 211/41.18;
432/240, 241, 253, 258

FIG. 2 is a front view thereof;

FIG. 3 is a rear view thereof;

FIG. 4 is a right side view thereof;

FIG. 5 is a left side view thereof;

FIG. 6 is a top plan view thereof;

FIG. 7 is a bottom plan view thereof; and,

FIG. 8 is a cross-sectional view taken through line 8—8 of FIG. 2.

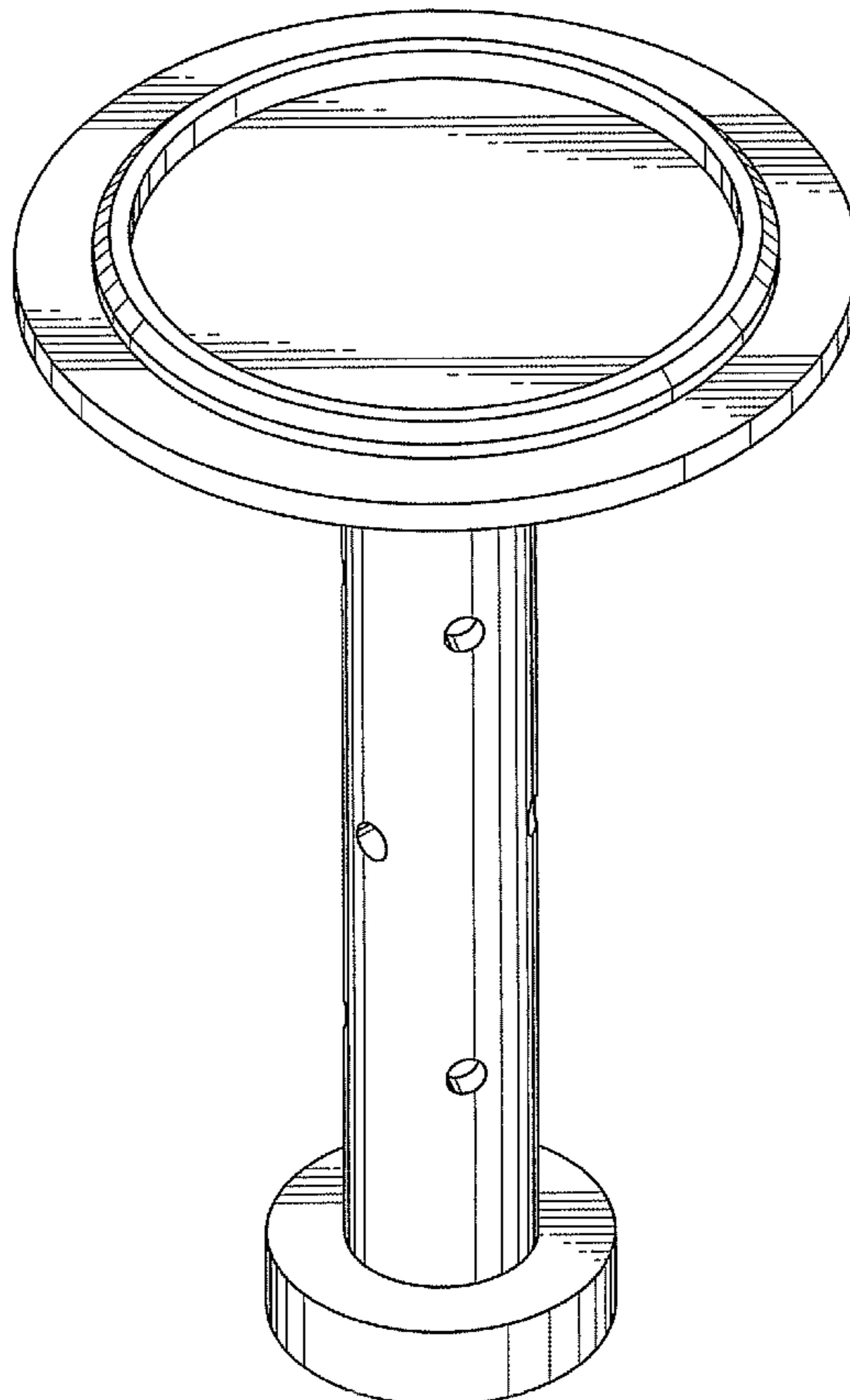
See application file for complete search history.

(56) **References Cited**

U.S. PATENT DOCUMENTS

D404,375 S * 1/1999 Shimazu D13/182
5,897,311 A * 4/1999 Nishi 432/239
6,095,806 A * 8/2000 Suzuki et al. 432/241

1 Claim, 7 Drawing Sheets



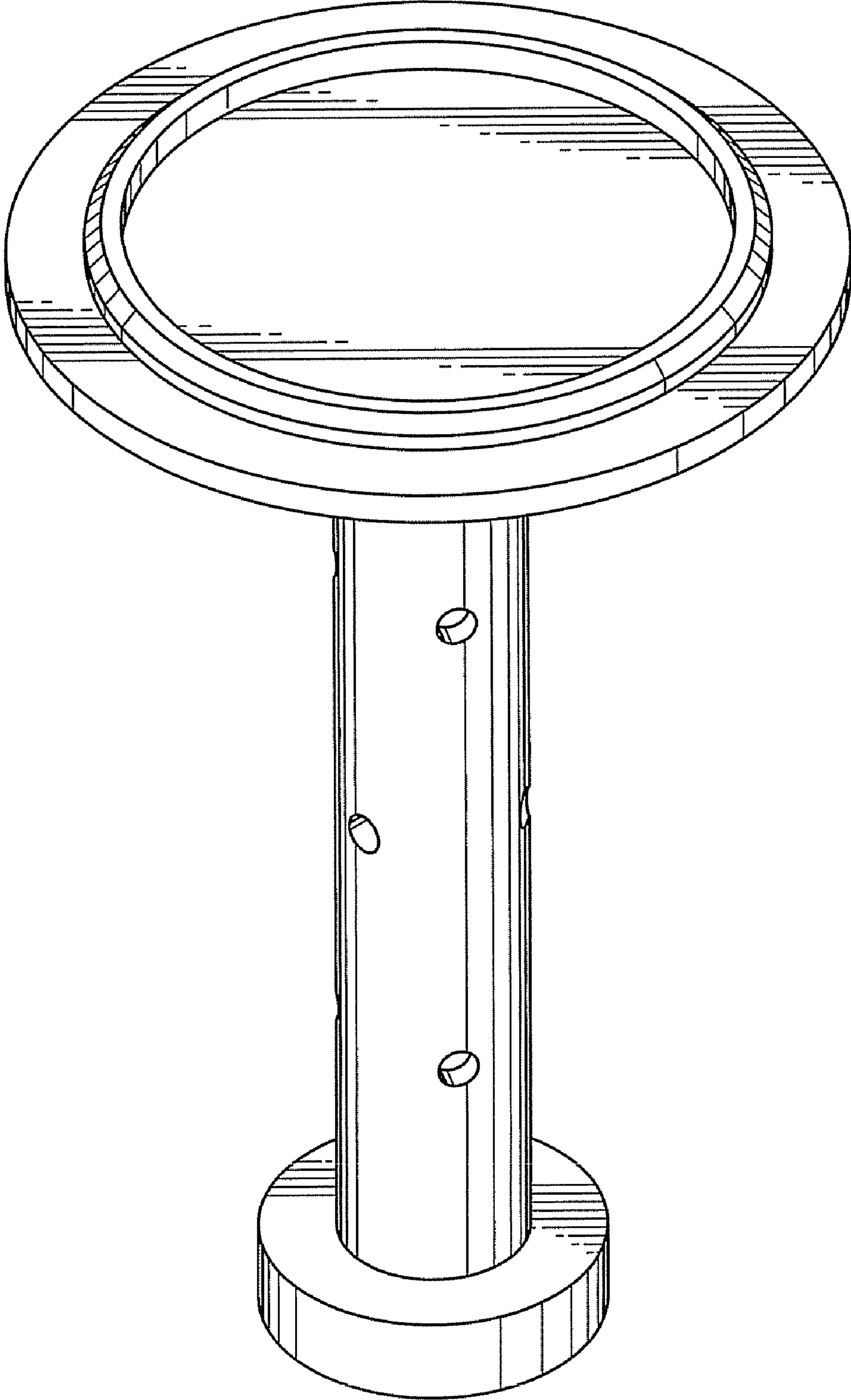


FIG. 1

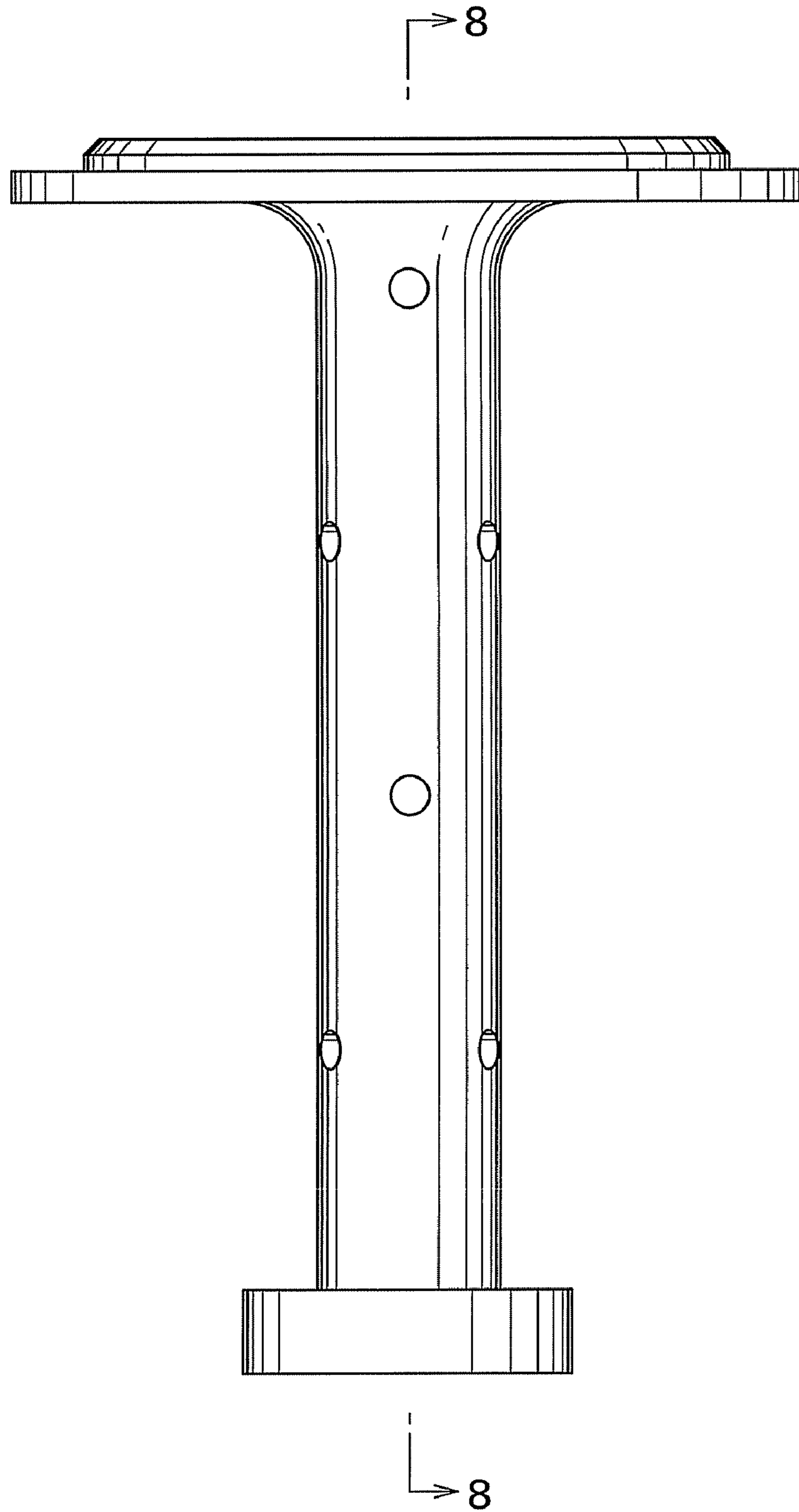


FIG. 2

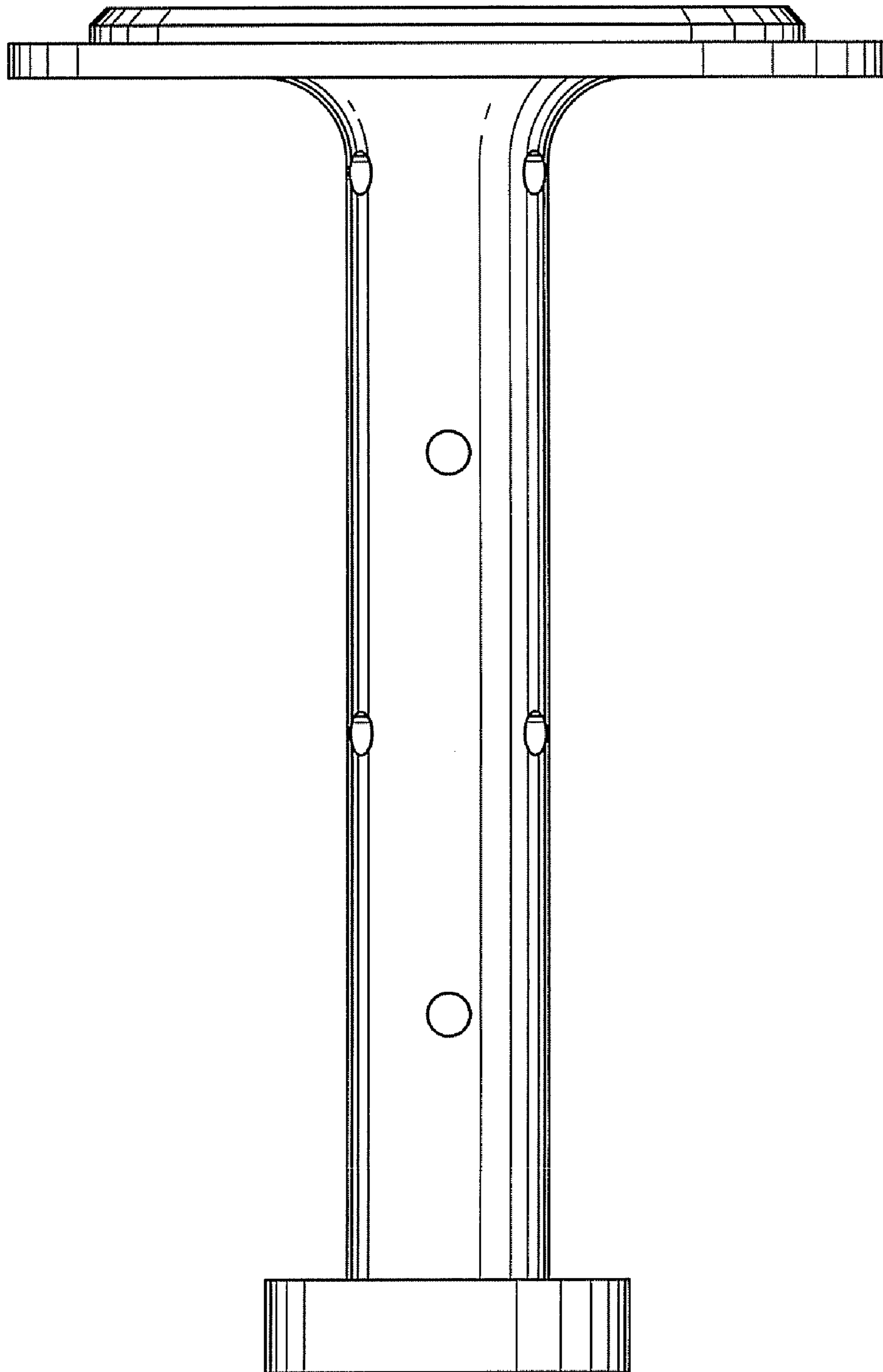


FIG. 3

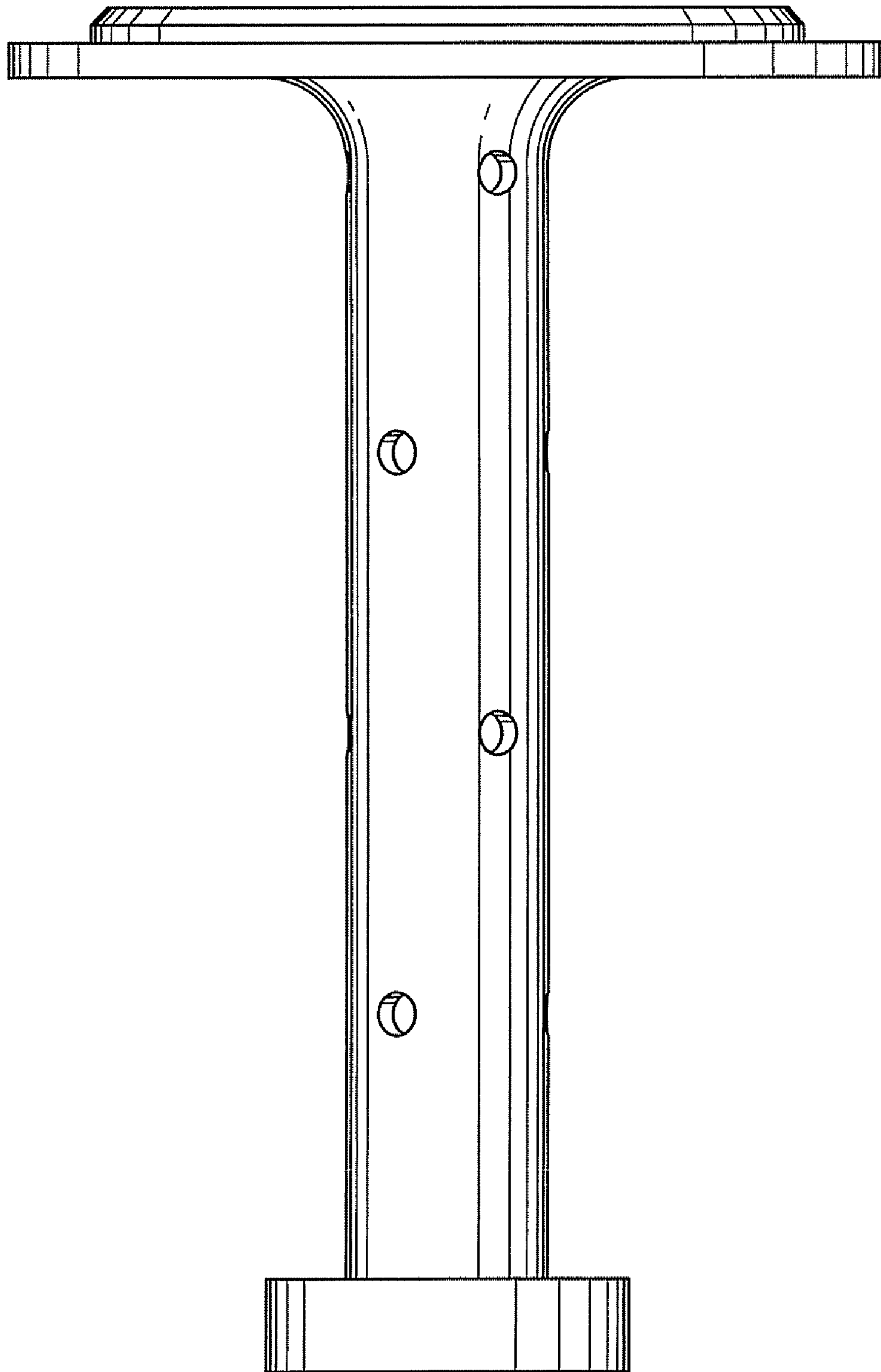


FIG. 4

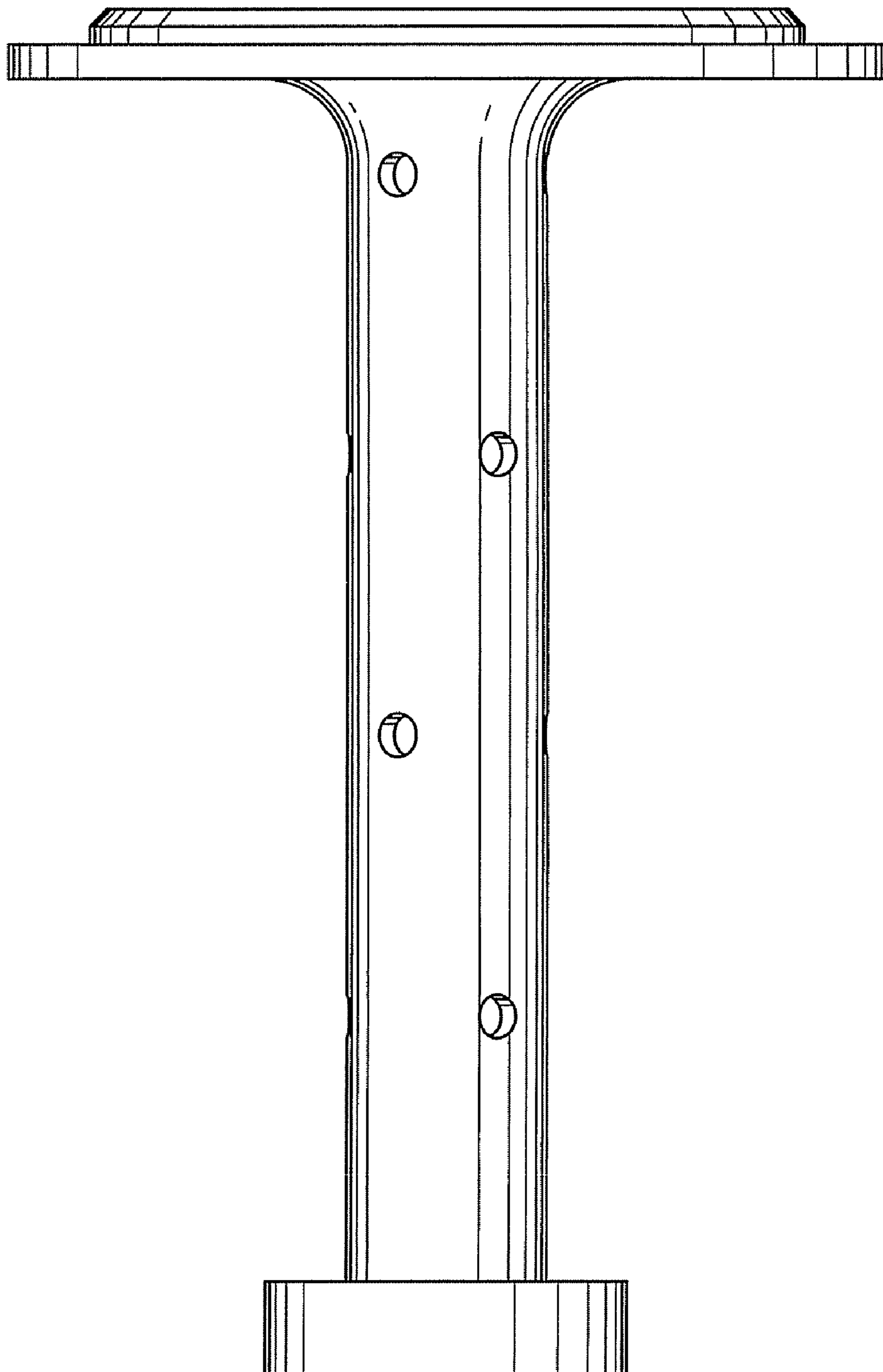


FIG. 5

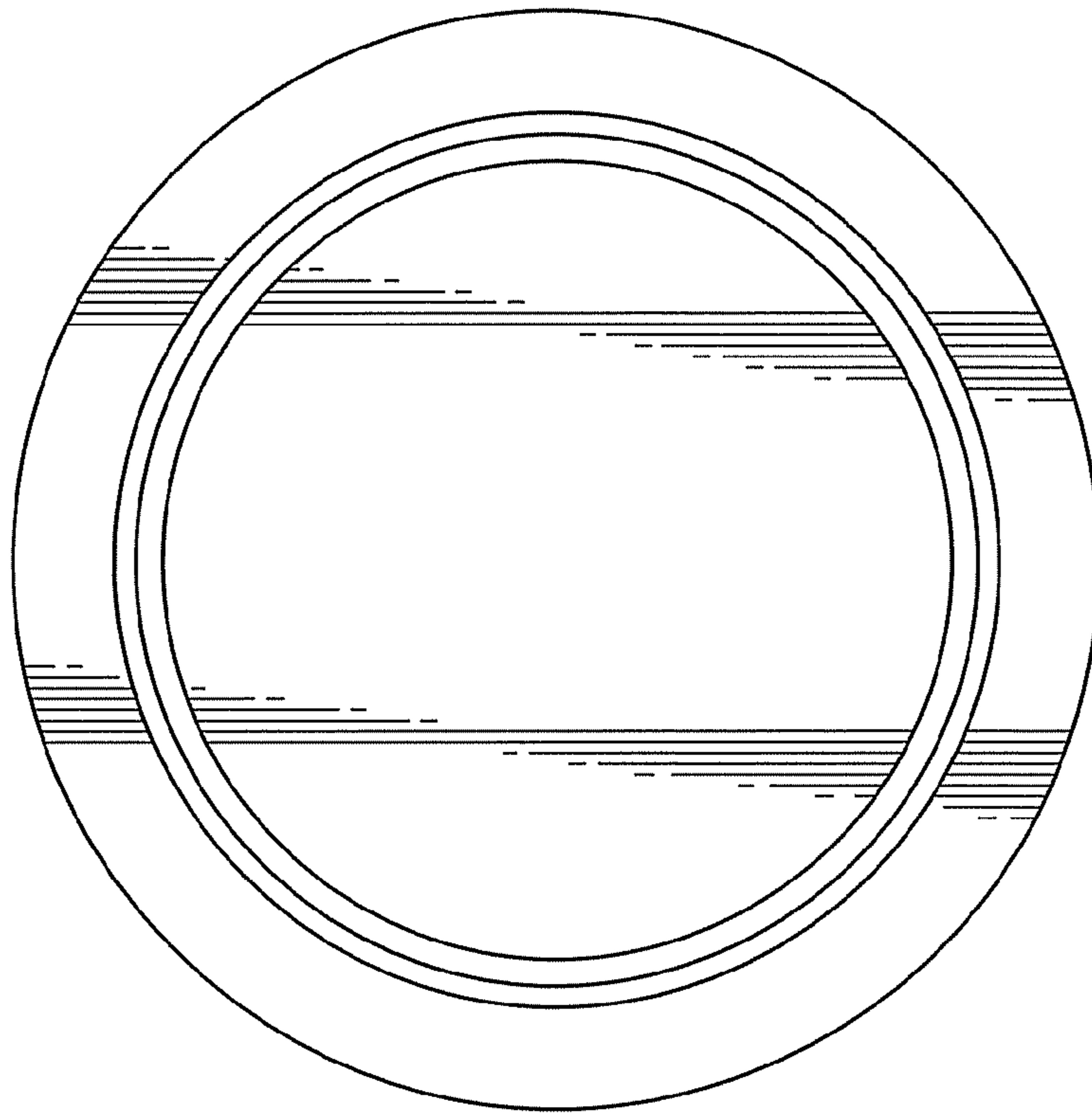


FIG. 6

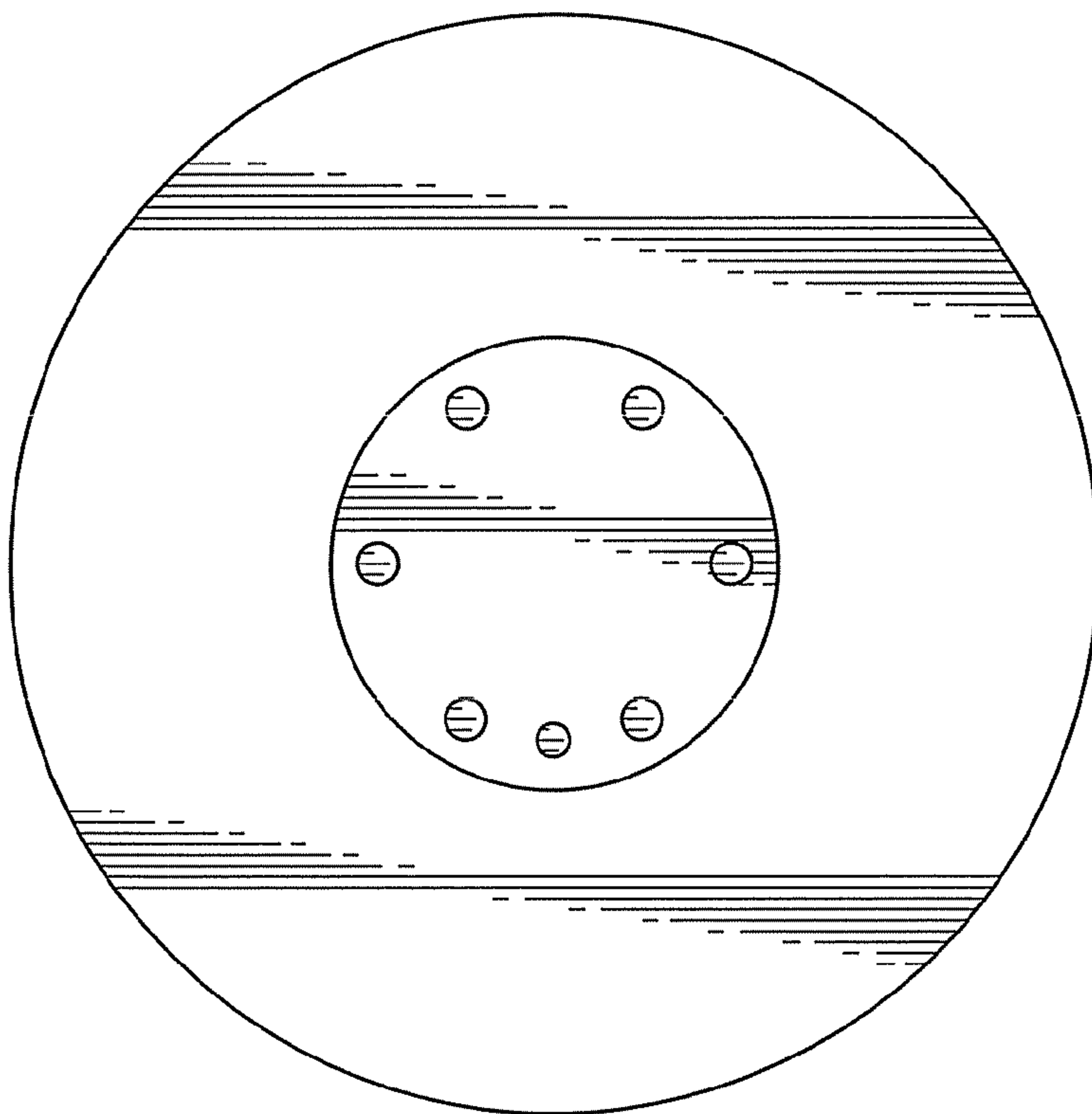


FIG. 7

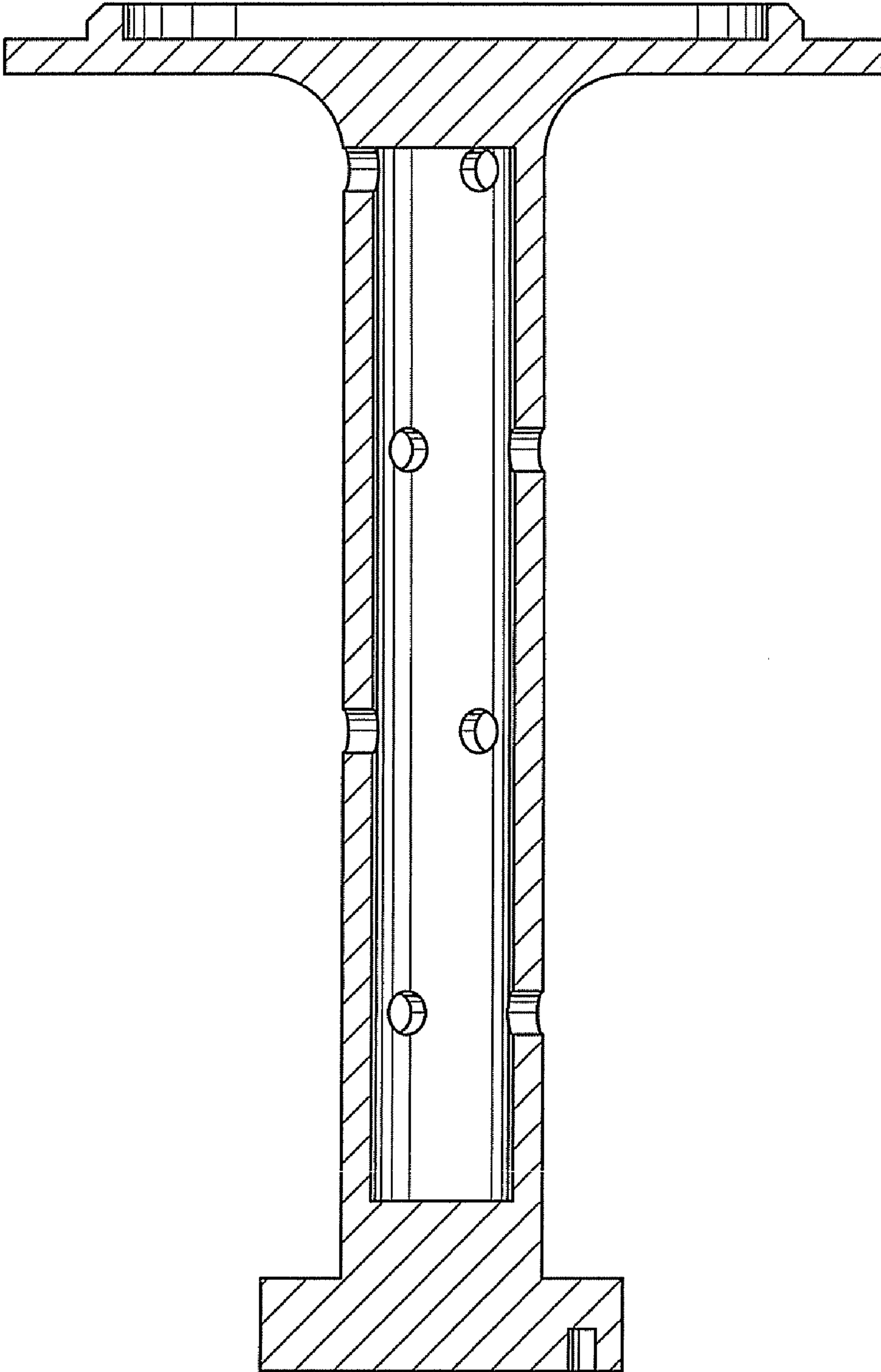


FIG. 8