



US00D616390S

(12) **United States Design Patent**
Sato

(10) **Patent No.:** **US D616,390 S**

(45) **Date of Patent:** **** May 25, 2010**

(54) **QUARTZ COVER FOR MANUFACTURING SEMICONDUCTOR WAFERS**

(75) Inventor: **Izumi Sato**, Oshu (JP)

(73) Assignee: **Tokyo Electron Limited**, Minato-Ku (JP)

(**) Term: **14 Years**

(21) Appl. No.: **29/342,844**

(22) Filed: **Sep. 2, 2009**

(30) **Foreign Application Priority Data**

Mar. 6, 2009 (JP) 2009-004982

(51) **LOC (9) Cl.** **13-03**

(52) **U.S. Cl.** **D13/182**

(58) **Field of Classification Search** D13/182;
206/454, 711; 118/728, 729; 211/41.18;
432/241, 253, 258

See application file for complete search history.

(56) **References Cited**

U.S. PATENT DOCUMENTS

4,978,567 A * 12/1990 Miller 428/157
5,709,543 A * 1/1998 Shimazu 432/241
D404,370 S * 1/1999 Kimura D13/182
6,423,175 B1 * 7/2002 Huang et al. 156/345.51
6,966,771 B2 * 11/2005 Irie et al. 432/253

D582,949 S * 12/2008 Yamashita D15/138
2006/0199131 A1 * 9/2006 Kawasaki et al. 432/120
2008/0066682 A1 * 3/2008 Yamashita 118/723 VE

* cited by examiner

Primary Examiner—Selina Sikder

(74) *Attorney, Agent, or Firm*—Burr & Brown

(57) **CLAIM**

The ornamental design for a quartz cover for manufacturing semiconductor wafers, as shown and described.

DESCRIPTION

FIG. 1 is top perspective view of a quartz cover for manufacturing semiconductor wafers illustrating my new design;

FIG. 2 is a bottom perspective view thereof;

FIG. 3 is a front view thereof, the rear view being the same image and, therefore, not shown;

FIG. 4 is a right side view thereof, the left side view being the same image and, therefore, not shown;

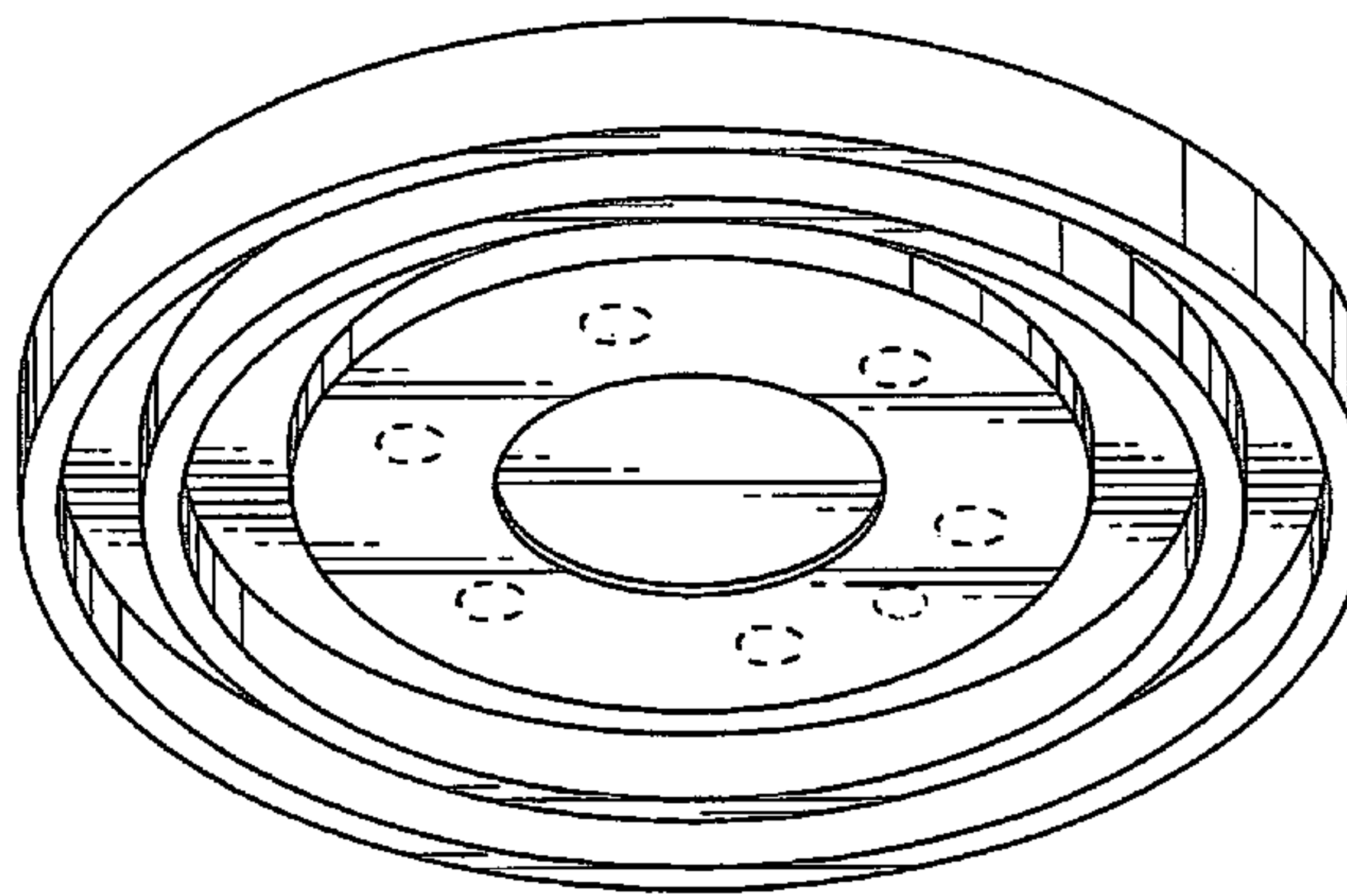
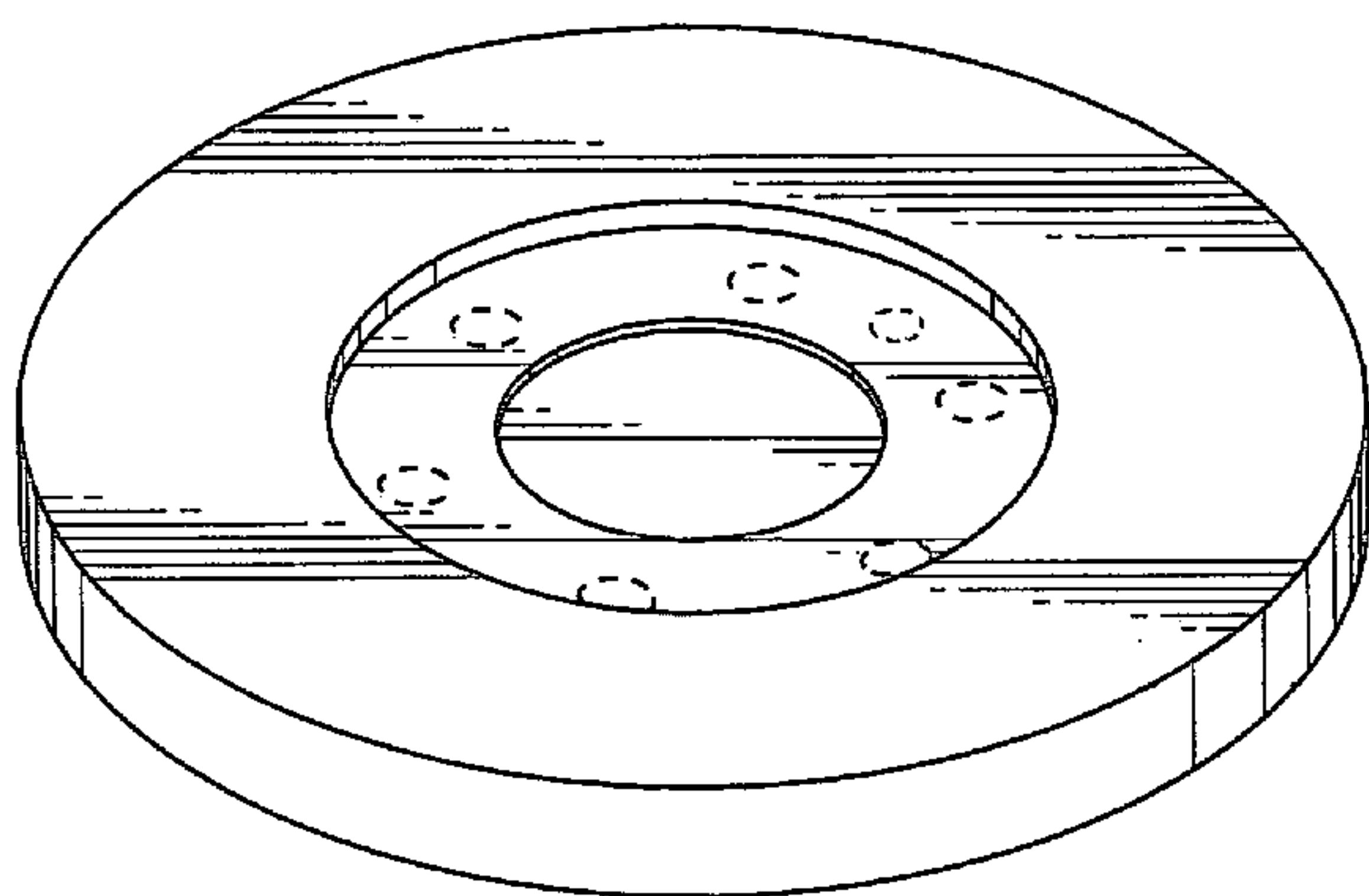
FIG. 5 is a top plan view thereof;

FIG. 6 is a bottom plan view thereof; and,

FIG. 7 is a cross-sectional view taken through line 7—7 of FIG. 5.

The broken lines are shown for illustrative purposes only and form no part of the claimed design.

1 Claim, 3 Drawing Sheets



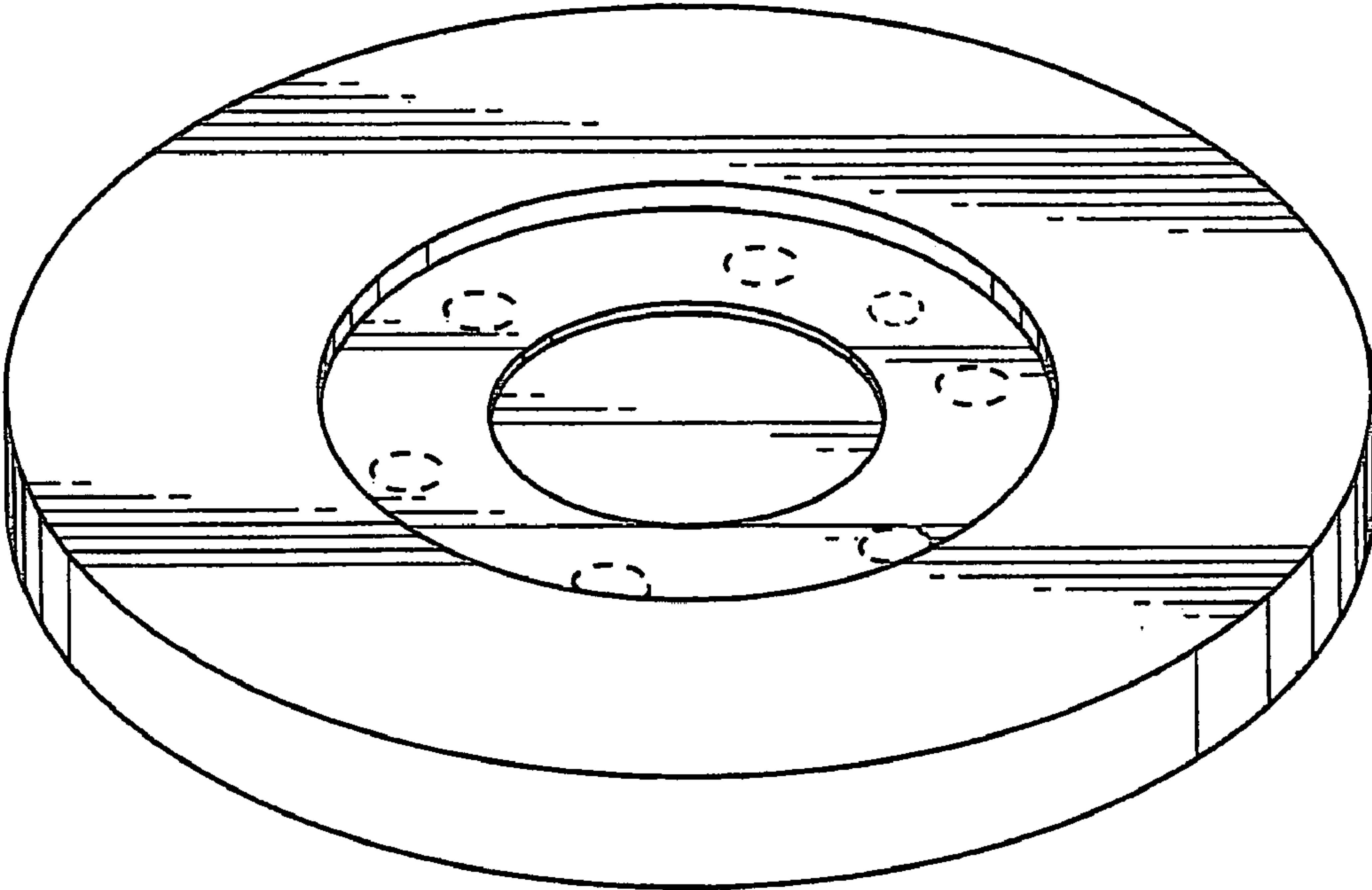


FIG. 1

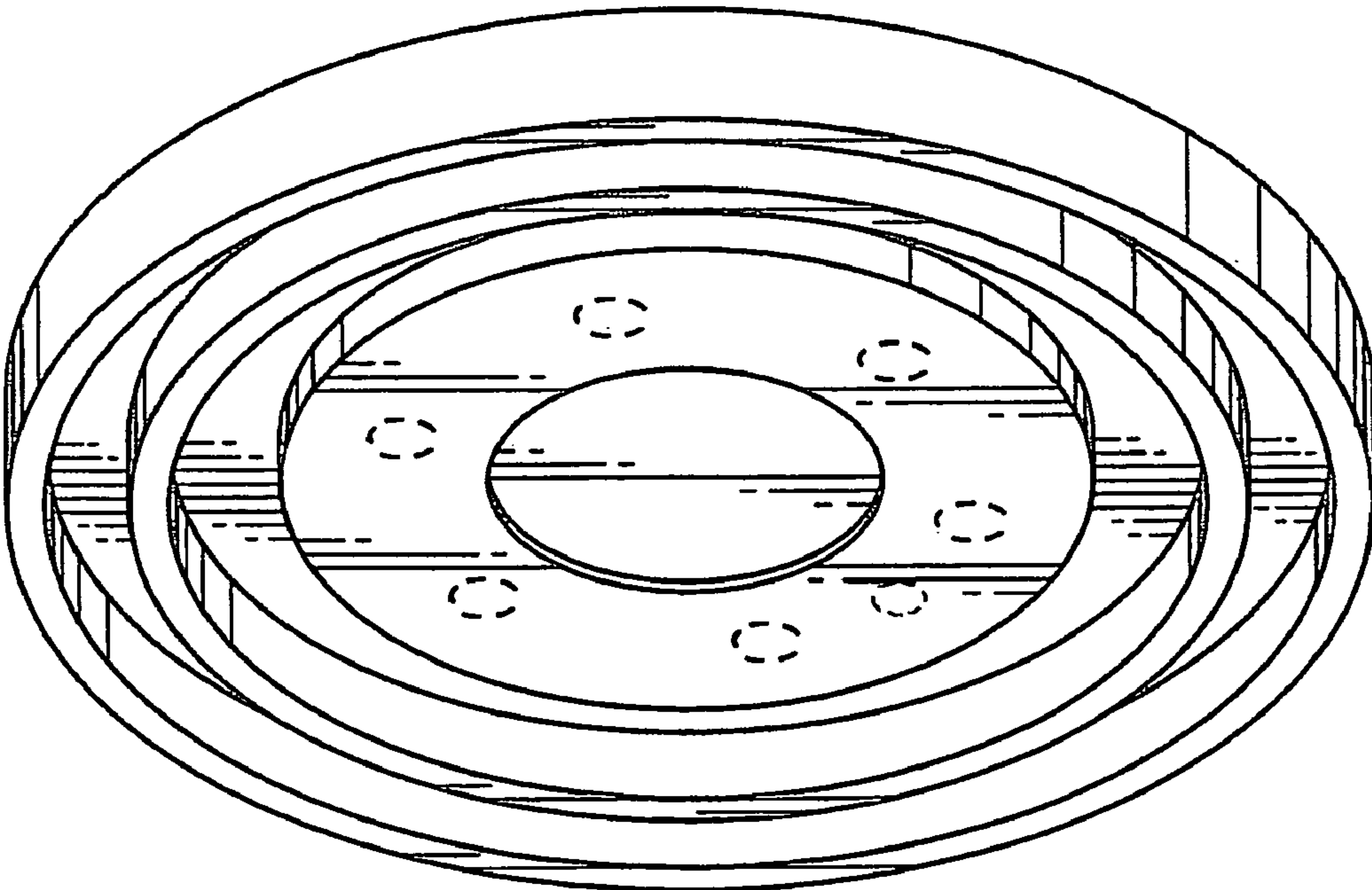


FIG. 2



FIG. 3



FIG. 4

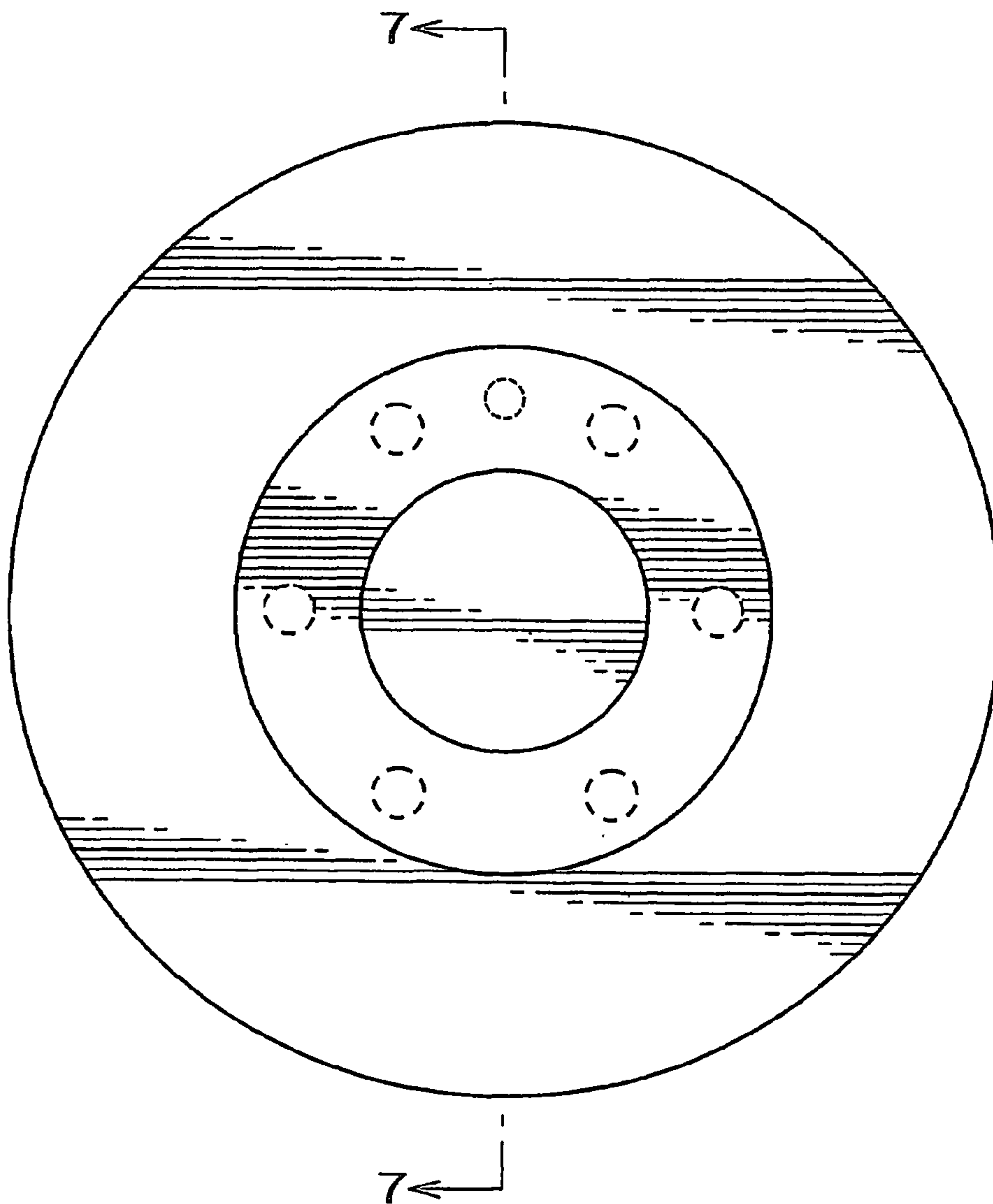


FIG. 5

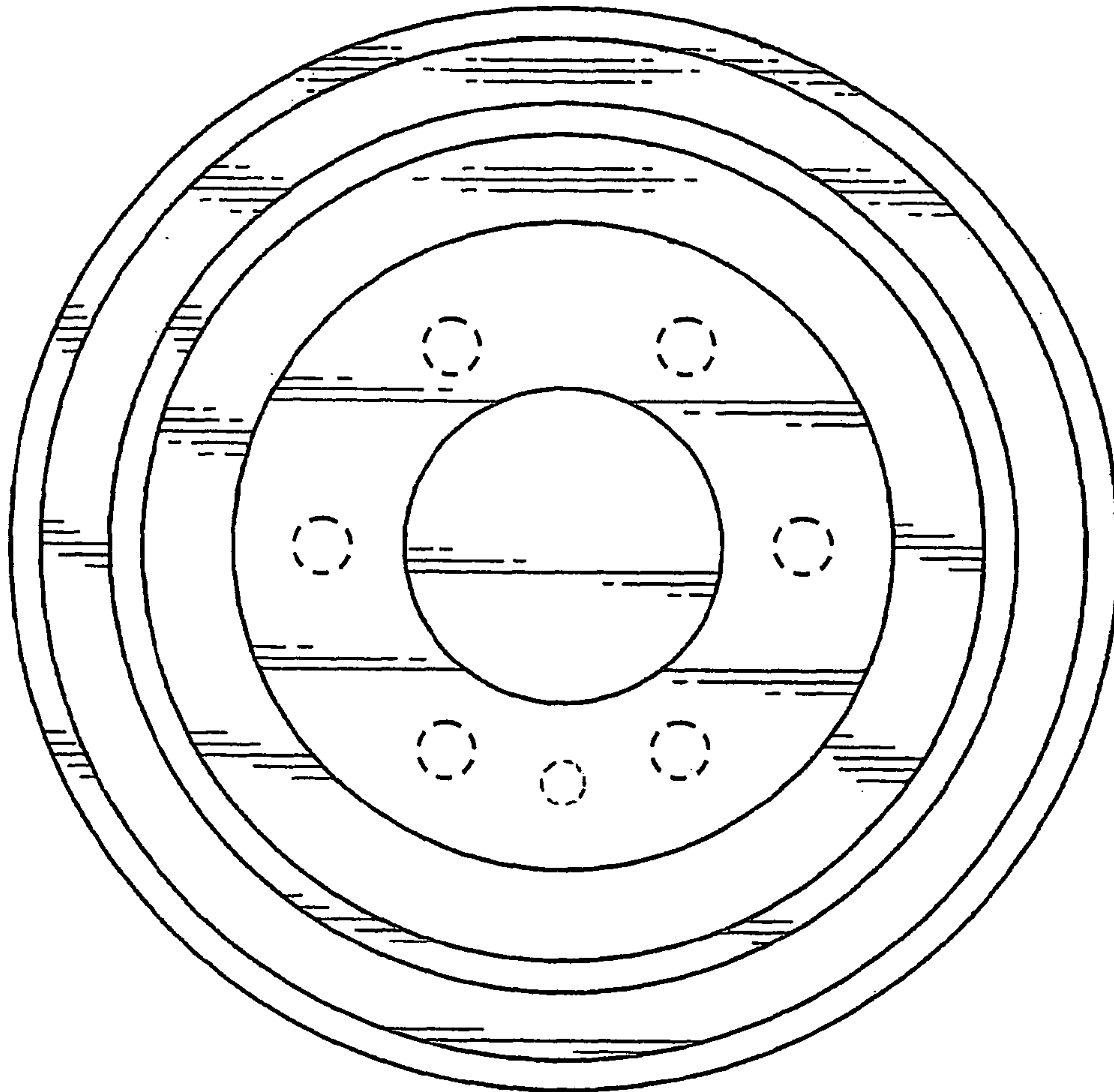


FIG. 6

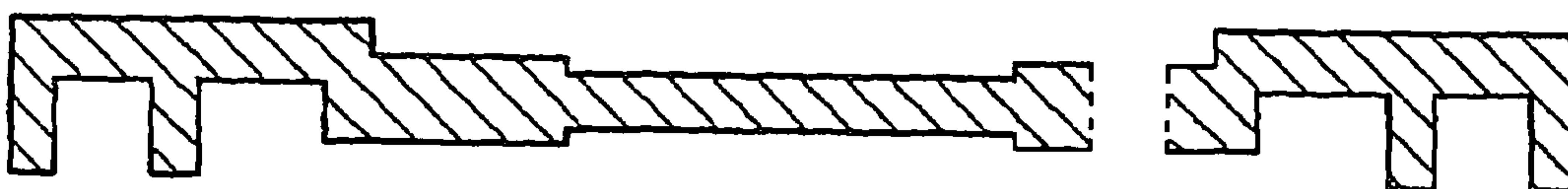


FIG. 7