



US00D616388S

(12) **United States Design Patent**  
**Guerrero et al.**

(10) **Patent No.:** **US D616,388 S**

(45) **Date of Patent:** **\*\* May 25, 2010**

(54) **ANODE**

(75) Inventors: **Christian Guerrero**, Travelers Rest, SC (US); **Jeff Poltorak**, Fountain Inn, SC (US); **Lance Paul Thornton**, Simpsonville, SC (US); **Yongjian Qiu**, Greenville, SC (US)

(73) Assignee: **KEMET Electronics Corporation**, Greenville, SC (US)

(\*\*) Term: **14 Years**

(21) Appl. No.: **29/331,421**

(22) Filed: **Jan. 26, 2009**

**Related U.S. Application Data**

(62) Division of application No. 29/273,067, filed on Feb. 26, 2007, now Pat. No. Des. 586,767.

(51) **LOC (9) Cl.** ..... **13-03**

(52) **U.S. Cl.** ..... **D13/182**

(58) **Field of Classification Search** ..... D13/182;  
29/25.03; 361/508, 523, 528, 529  
See application file for complete search history.

(56) **References Cited**

**U.S. PATENT DOCUMENTS**

3,345,545	A *	10/1967	Bourgault et al.	.....	361/529
3,818,286	A *	6/1974	Ganz	.....	361/529
4,162,518	A *	7/1979	Curlis, Jr.	.....	361/528
4,517,626	A *	5/1985	Allen et al.	.....	361/529
4,945,452	A *	7/1990	Sturmer et al.	.....	361/529
5,250,373	A *	10/1993	Muffoletto et al.	.....	429/161
5,461,538	A *	10/1995	Kuriyama	.....	361/528
5,486,215	A *	1/1996	Kelm et al.	.....	29/623.1
5,712,030	A *	1/1998	Goto et al.	.....	428/332
6,051,038	A *	4/2000	Howard et al.	.....	29/623.1
6,309,717	B1 *	10/2001	Qiu et al.	.....	428/34.2
6,495,282	B1 *	12/2002	Yoshida et al.	.....	429/156

6,510,044	B1 *	1/2003	Loffelholz et al.	.....	361/510
6,870,727	B2 *	3/2005	Edson et al.	.....	361/523
6,912,117	B2 *	6/2005	Arai et al.	.....	361/523
7,016,179	B2 *	3/2006	Ando	.....	361/523
D586,767	S *	2/2009	Guerrero et al.	.....	D13/182
2002/0026295	A1 *	2/2002	Sato et al.	.....	703/1
2002/0045096	A1 *	4/2002	Sandberg et al.	.....	429/163
2005/0162816	A1 *	7/2005	Fujii et al.	.....	361/523
2005/0174719	A1 *	8/2005	Heusmann et al.	.....	361/271
2006/0164793	A1 *	7/2006	Fujimoto	.....	361/528
2008/0106852	A1 *	5/2008	Amita et al.	.....	361/528
2008/0299335	A1 *	12/2008	Poltorak et al.	.....	428/34.1
2008/0299371	A1 *	12/2008	Poltorak et al.	.....	428/220

\* cited by examiner

*Primary Examiner*—Selina Sikder

(74) *Attorney, Agent, or Firm*—John B. Hardaway, III; Nexsen Pruet, LLC

(57) **CLAIM**

The ornamental design for an anode, as shown and described.

**DESCRIPTION**

FIG. 1 is a perspective view of an anode based on modified obround prism.

FIG. 2 is an end view thereof.

FIG. 3 is an elevation from the opposite end thereof.

FIG. 4 is a side elevation thereof.

FIG. 5 is a plan view thereof.

FIG. 6 is a perspective view of another anode based upon a modified obround prism.

FIG. 7 is an end view thereof.

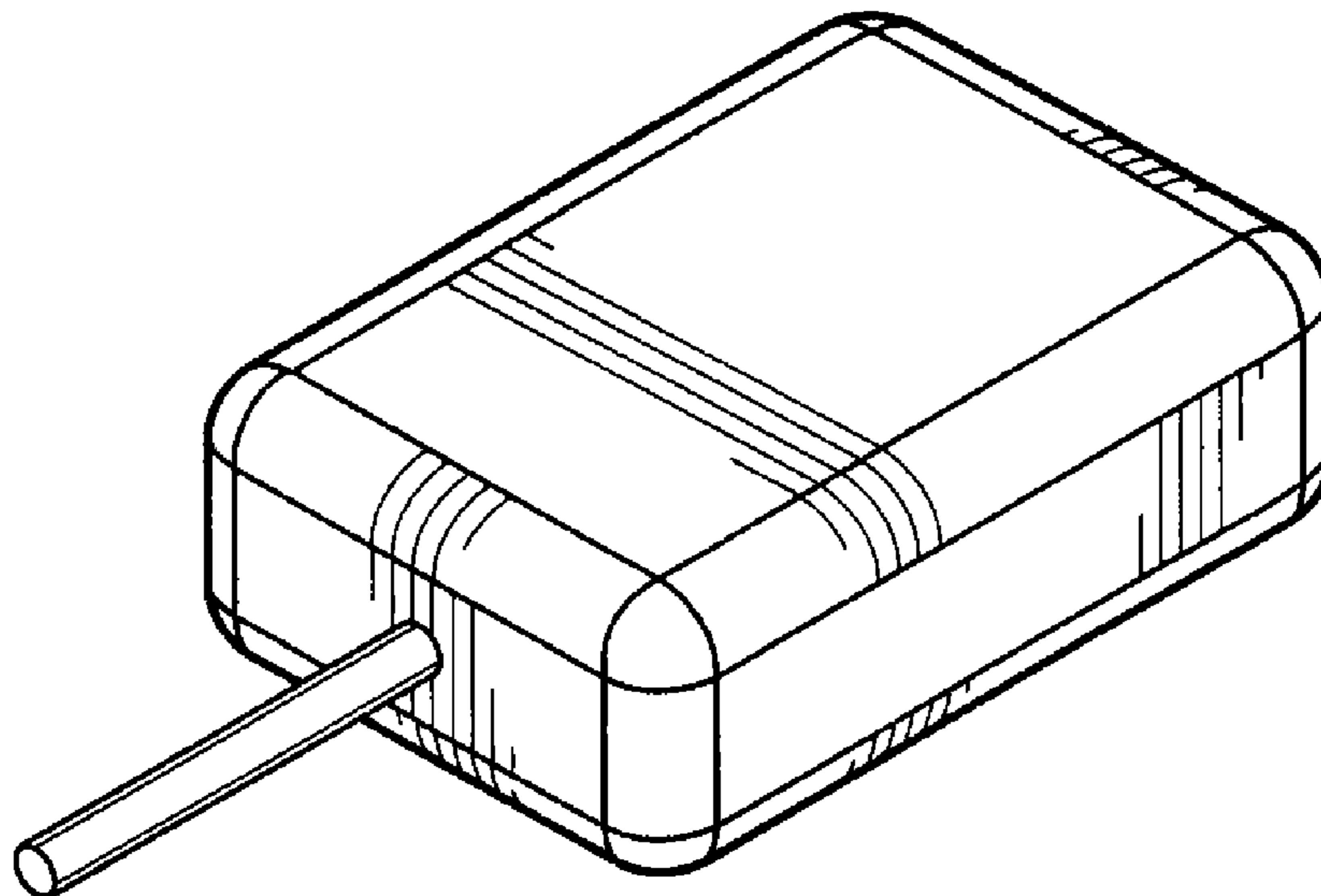
FIG. 8 is an end view of the other end thereof.

FIG. 9 is a side view thereof.

FIG. 10 is a top view thereof; and,

FIG. 11 is a bottom view thereof.

**1 Claim, 3 Drawing Sheets**



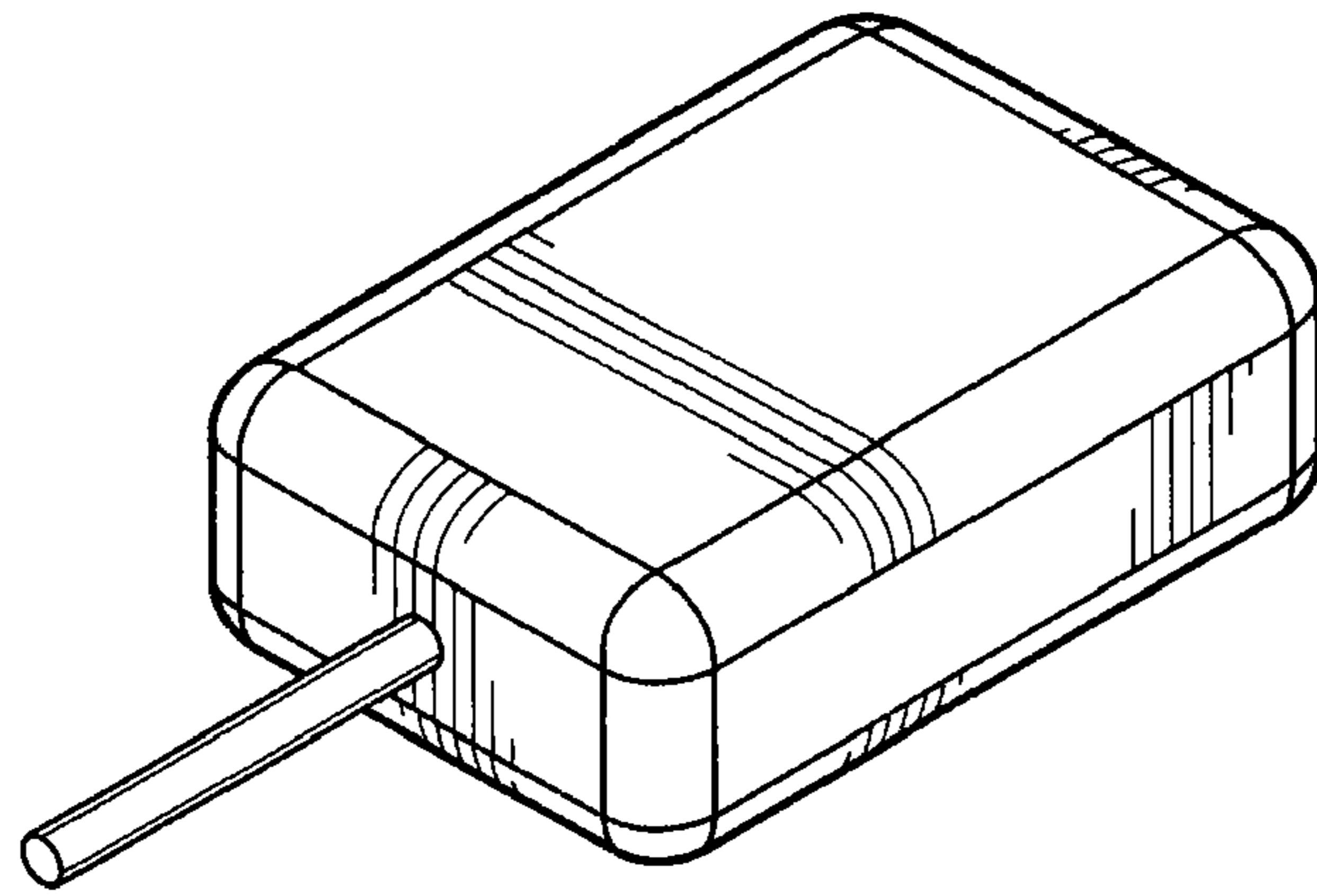


FIG. 1

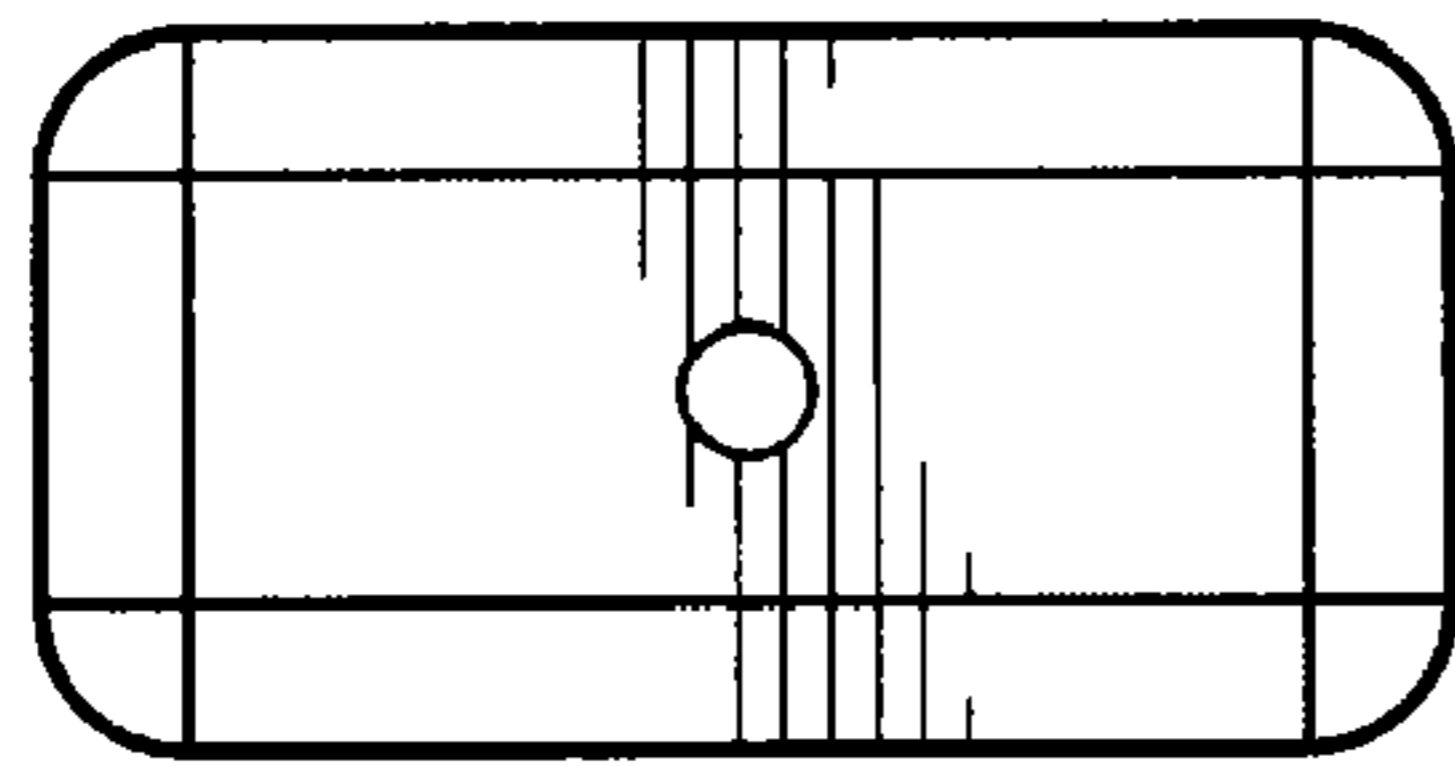


FIG. 2

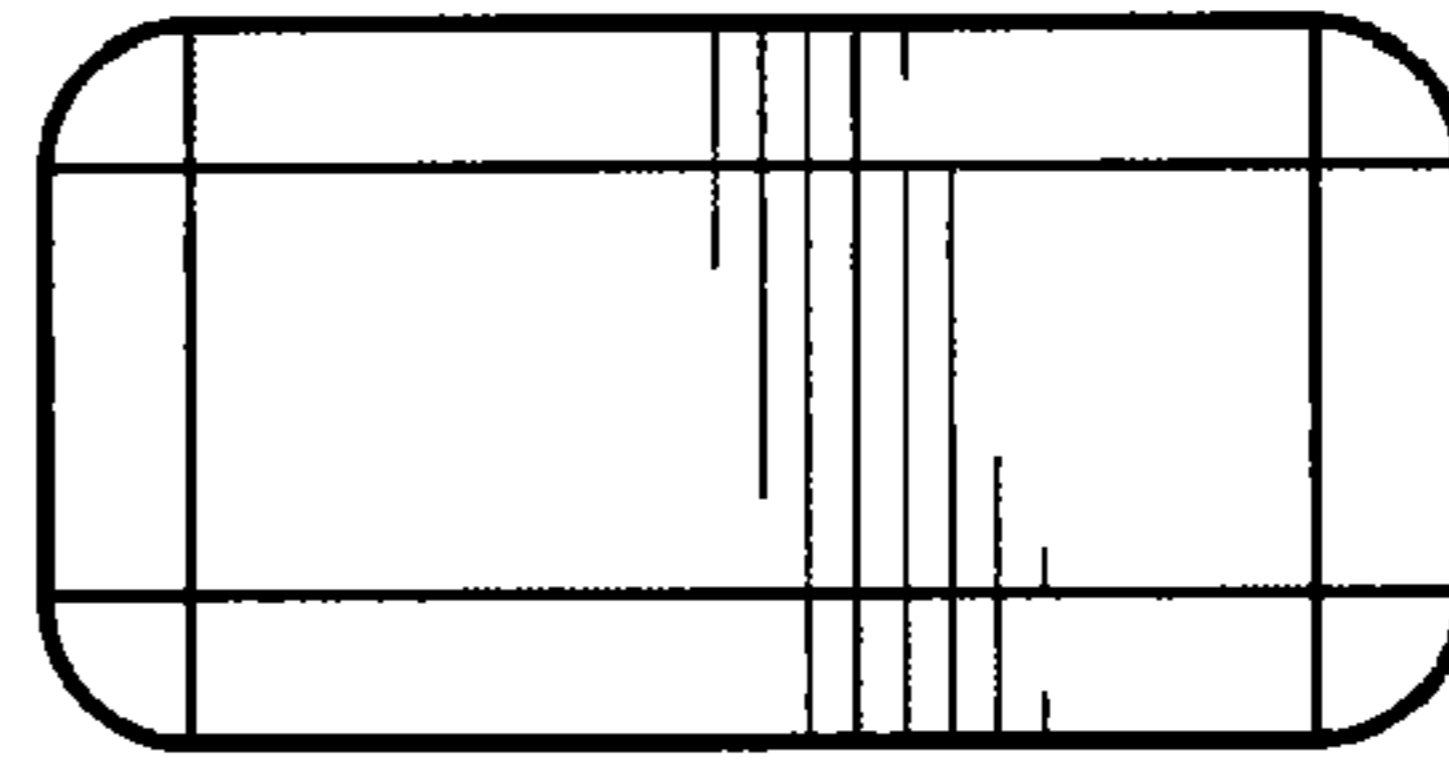


FIG. 3

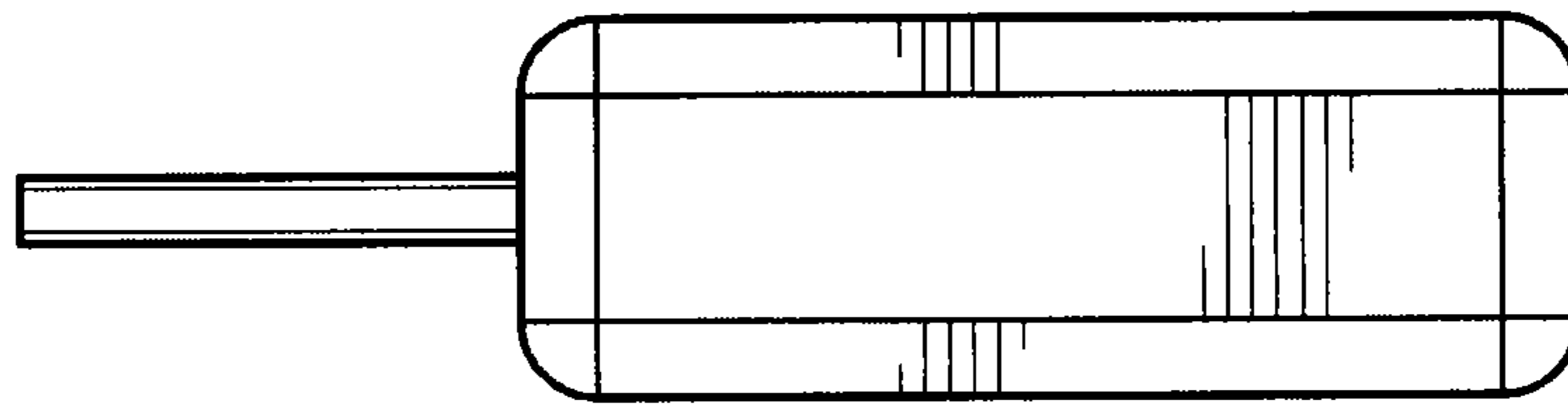


FIG. 4

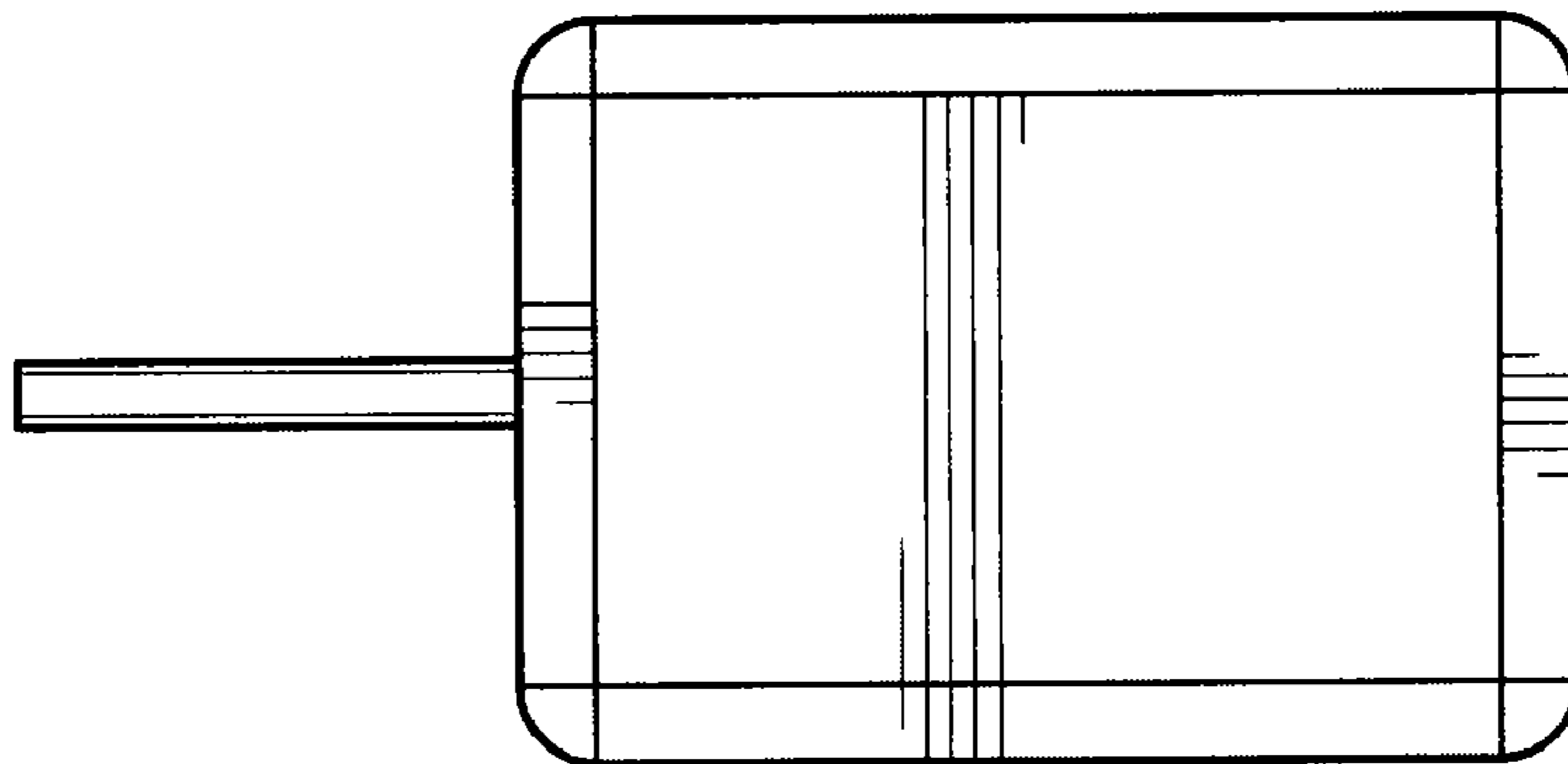


FIG. 5

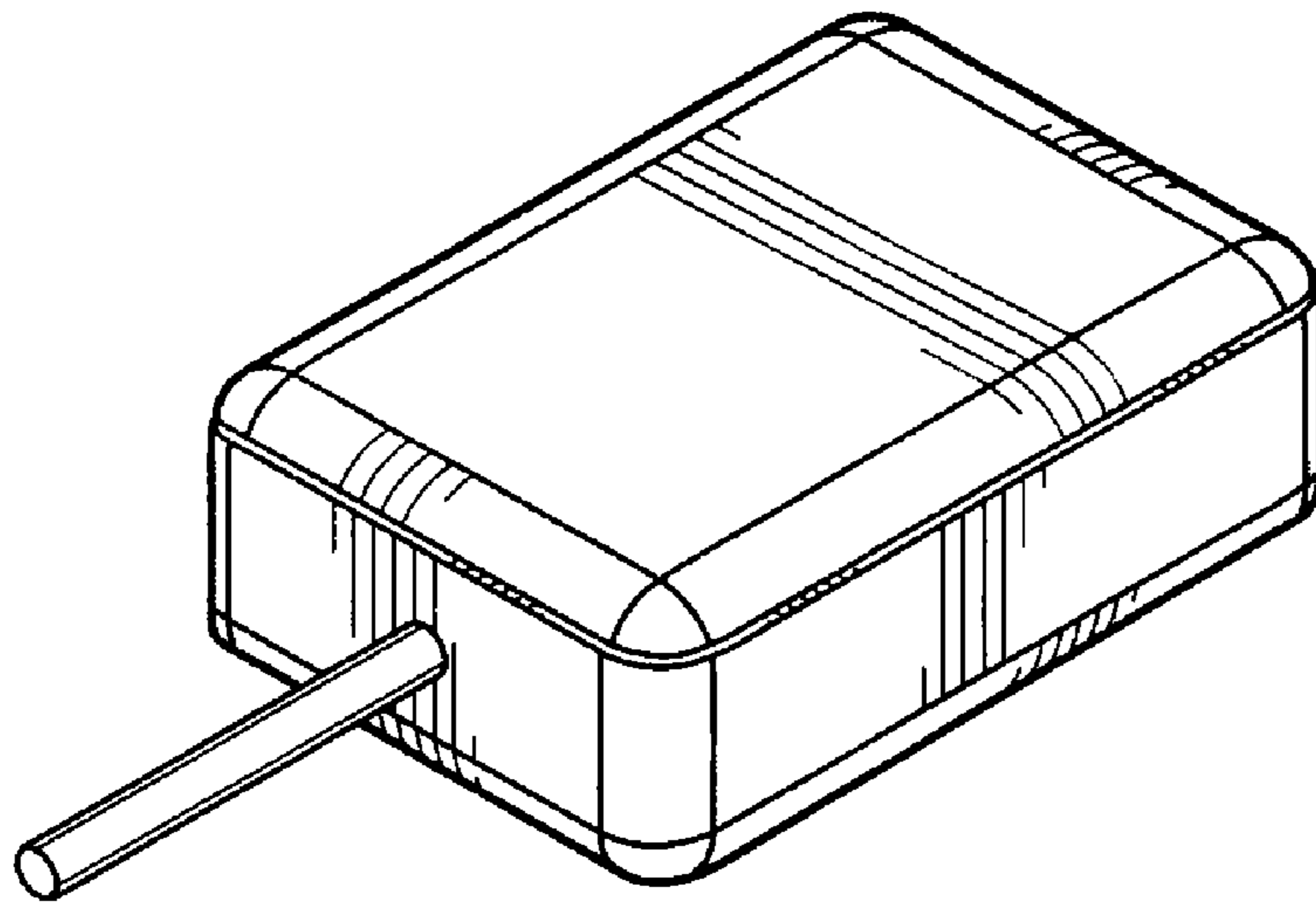


FIG. 6

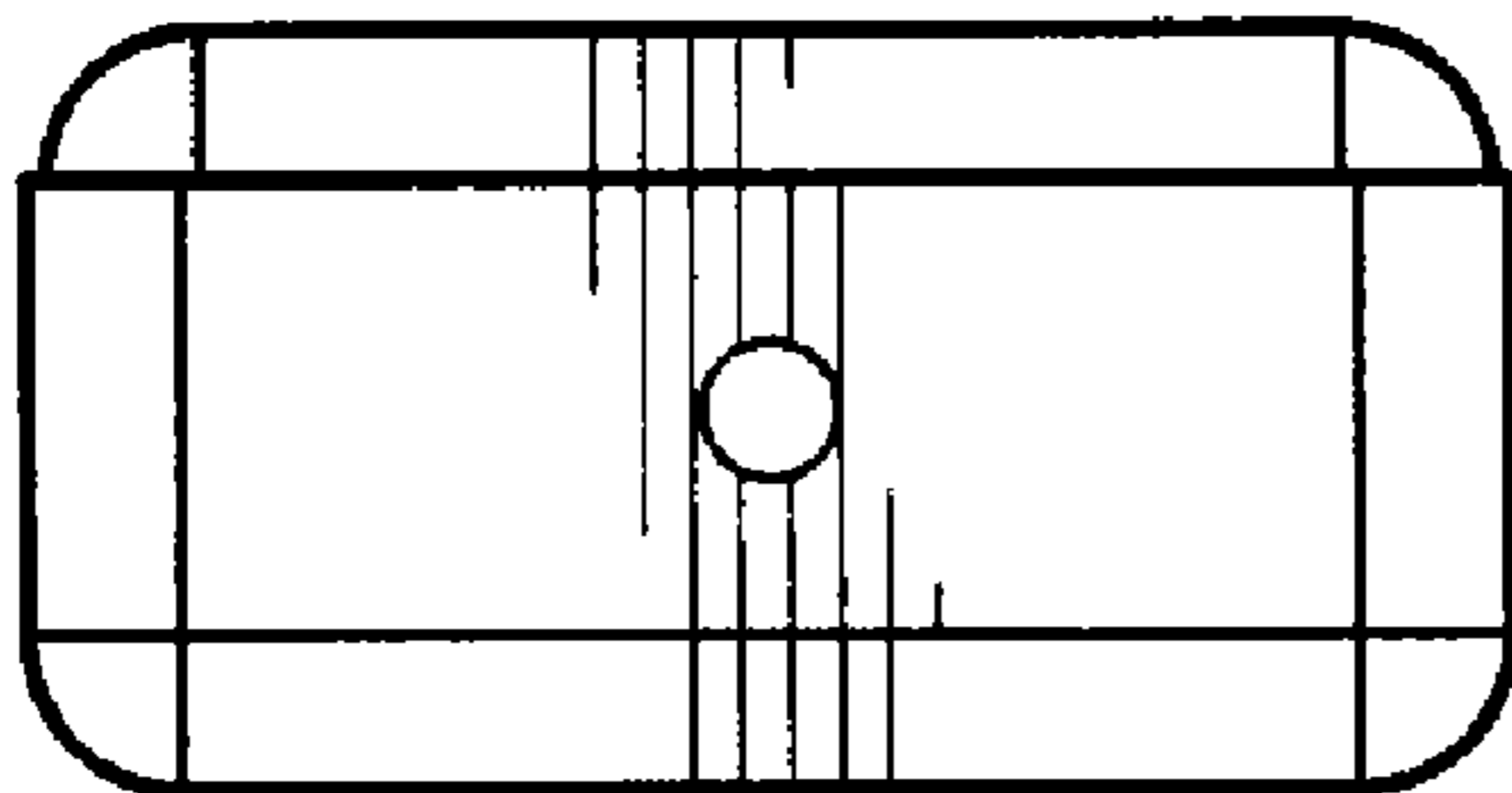


FIG. 7

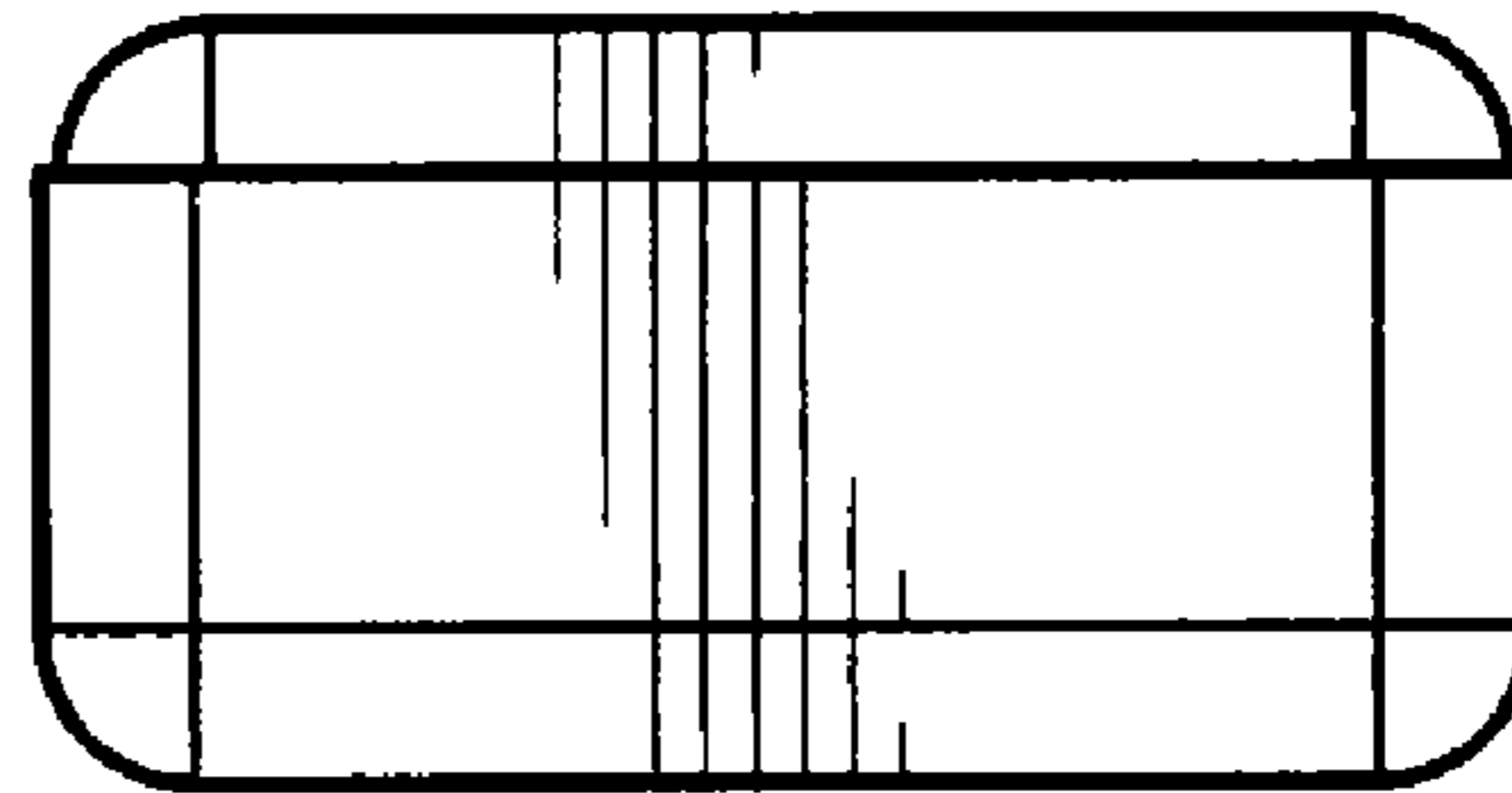


FIG. 8

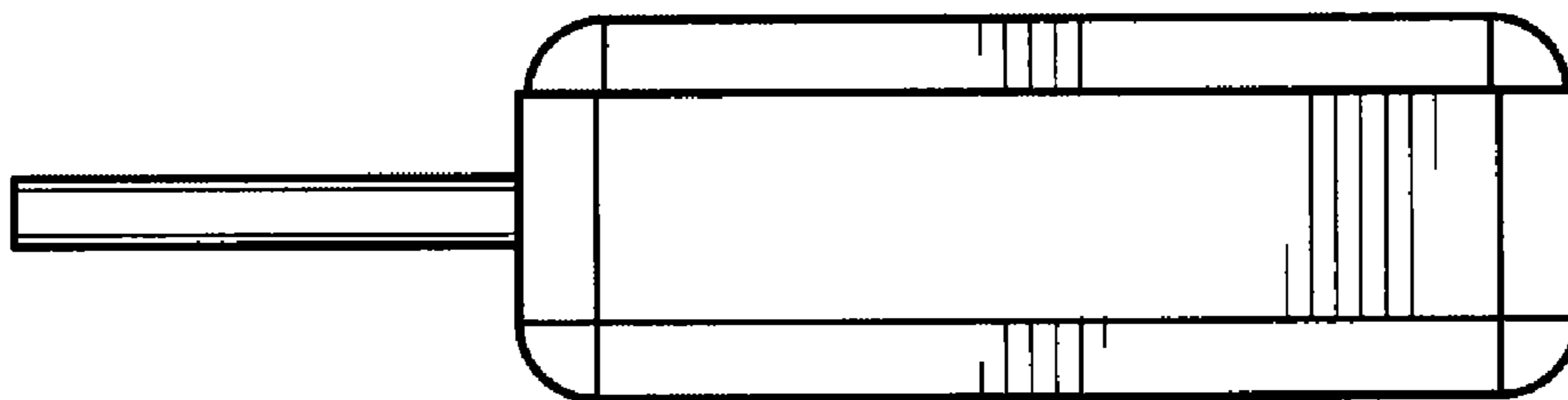


FIG. 9

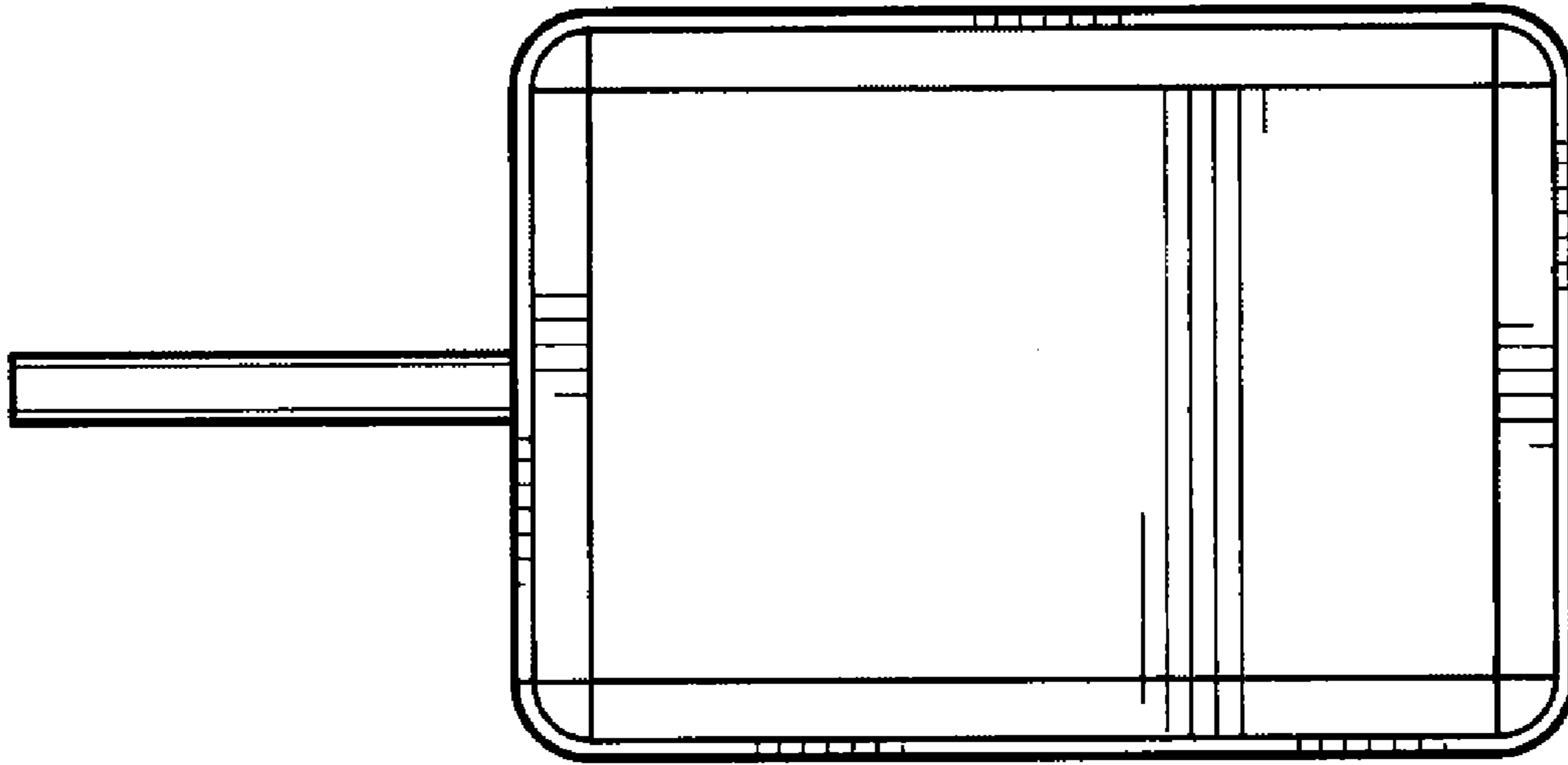


FIG. 10

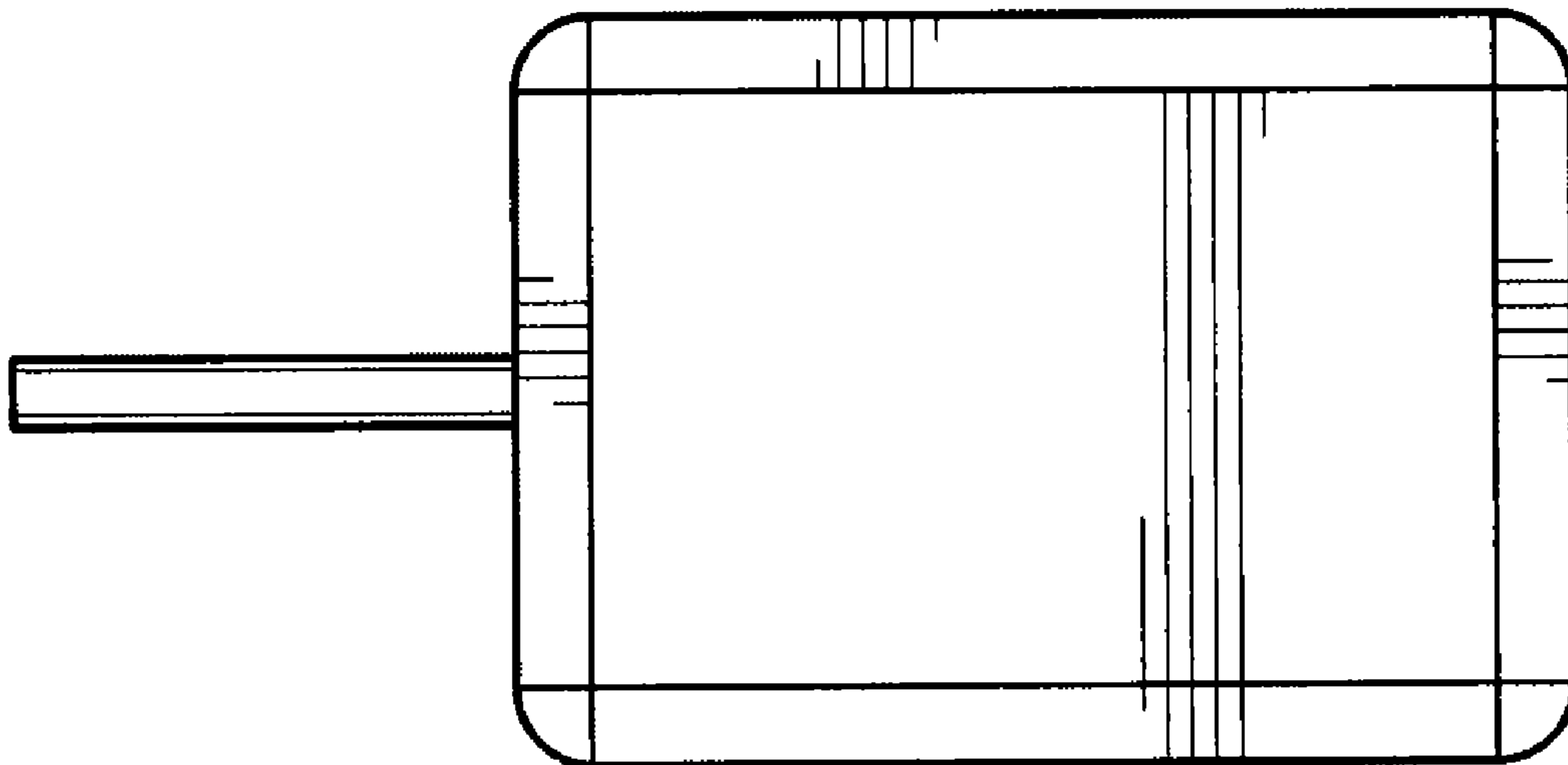


FIG. 11