



US00D616385S

(12) **United States Design Patent**
Chen et al.

(10) **Patent No.:** **US D616,385 S**

(45) **Date of Patent:** **** May 25, 2010**

(54) **SUBSTRATE FOR A SURFACE MOUNT LIGHT EMITTING DIODE**

(75) Inventors: **Yung-Wei Chen**, Miao-Li County (TW);
Wen-Huang Liu, Miao-Li County (TW)

(73) Assignee: **SemiLEDs Optoelectronics Co., Ltd.**
(TW)

(**) Term: **14 Years**

(21) Appl. No.: **29/341,468**

(22) Filed: **Aug. 5, 2009**

(51) **LOC (9) Cl.** **13-03**

(52) **U.S. Cl.** **D13/180**

(58) **Field of Classification Search** D13/180;
D26/2; 257/79, 80, 81, 88, 89, 95, 98, 99,
257/100, E33.058; 313/483, 498, 500; 362/555,
362/800

See application file for complete search history.

(56) **References Cited**

U.S. PATENT DOCUMENTS

7,186,580	B2	3/2007	Tran et al.	
7,195,944	B2	3/2007	Tran et al.	
D559,803	S *	1/2008	Lee	D13/180
D568,831	S	5/2008	Kim	
7,378,288	B2	5/2008	Tran et al.	
D575,750	S *	8/2008	Kang	D13/180
7,413,918	B2	8/2008	Tran et al.	
D576,115	S *	9/2008	Choi	D13/180
7,432,119	B2	10/2008	Doan	

7,473,936	B2	1/2009	Tran et al.	
7,524,686	B2	4/2009	Chu et al.	
7,563,625	B2	7/2009	Tran et al.	
7,579,629	B2 *	8/2009	Inoguchi	257/98
2006/0151801	A1	7/2006	Doan et al.	
2006/0154393	A1	7/2006	Doan et al.	
2009/0014739	A1 *	1/2009	Chiang et al.	257/98
2009/0101897	A1 *	4/2009	Murphy et al.	257/48

* cited by examiner

Primary Examiner—Selina Sikder

(74) *Attorney, Agent, or Firm*—Stephen A. Gratton

(57) **CLAIM**

The ornamental design for a substrate for a surface mount light emitting diode, as shown and described in the drawings.

DESCRIPTION

FIG. 1 is a perspective view of the substrate illustrating our new ornamental design;

FIG. 2 is a front view of the substrate;

FIG. 3 is a rear view of the substrate;

Please amend the description of FIGS. 4 and 5 as follows:

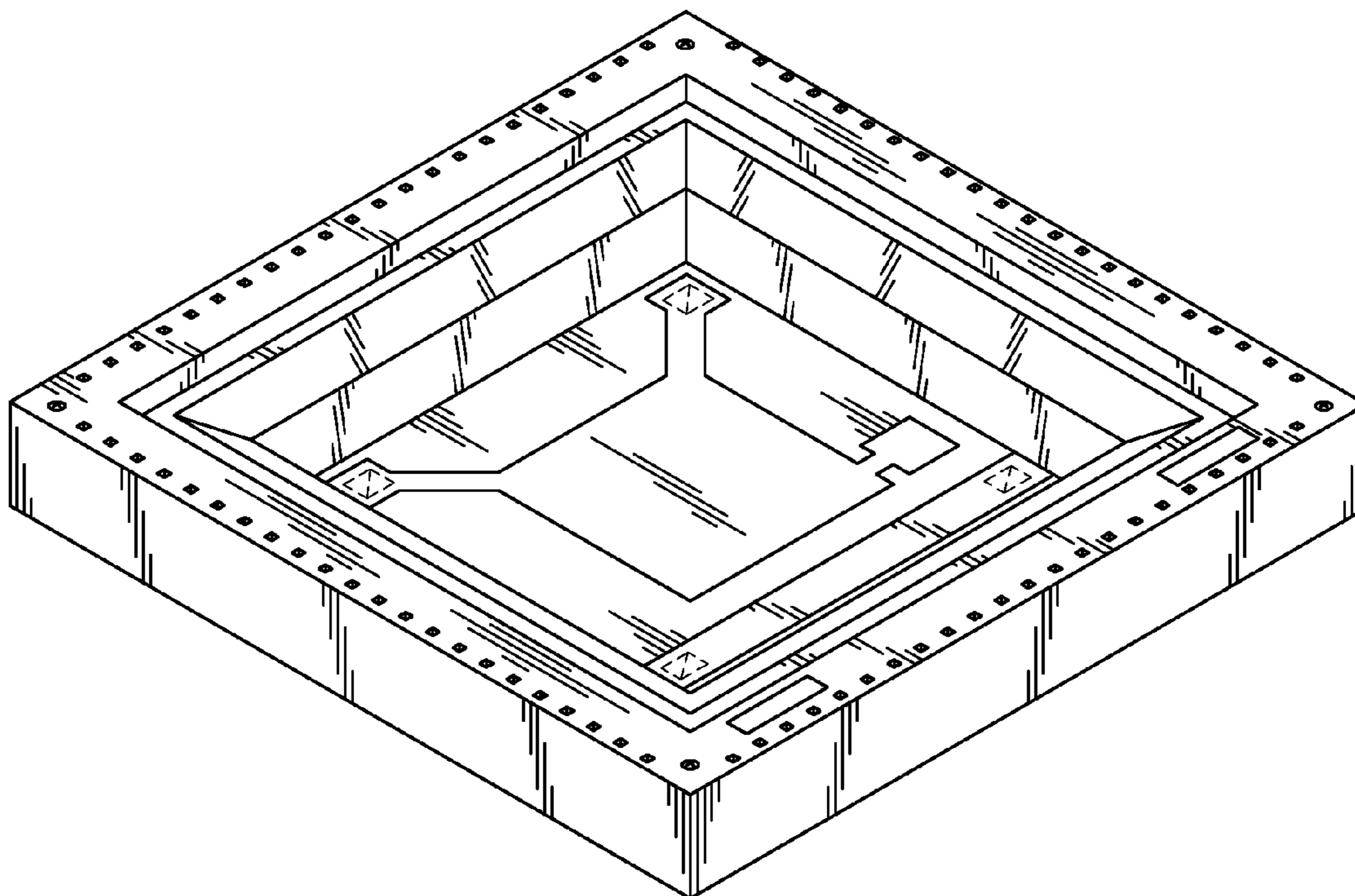
FIG. 4 is a top view of the substrate wherein the broken lines form no part of the claimed design;

FIG. 5 is a bottom view of the substrate wherein the broken lines form no part of the claimed design;

FIG. 6 is a left side view of the substrate; and,

FIG. 7 is a right side view of the substrate.

1 Claim, 3 Drawing Sheets



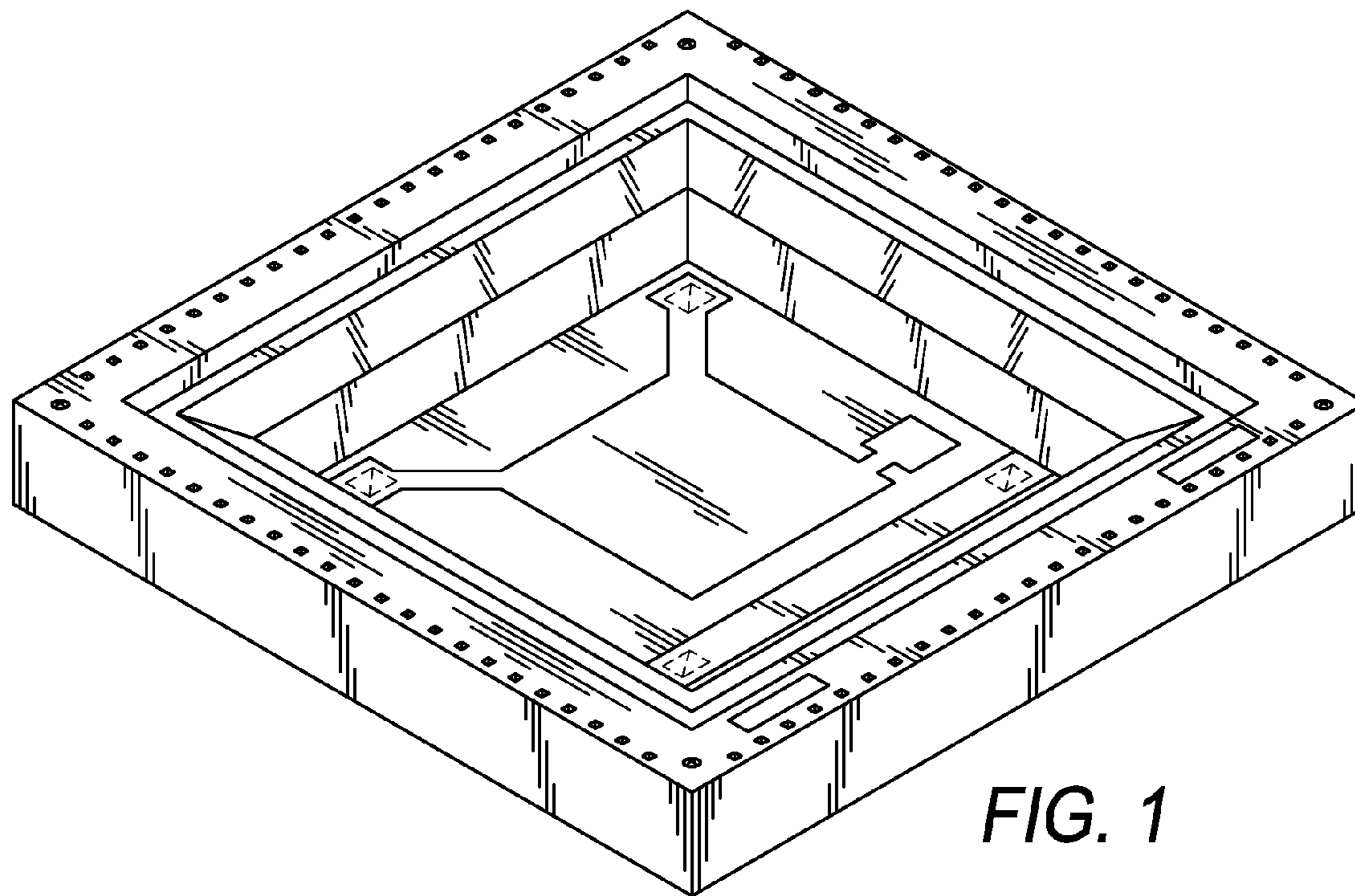


FIG. 1

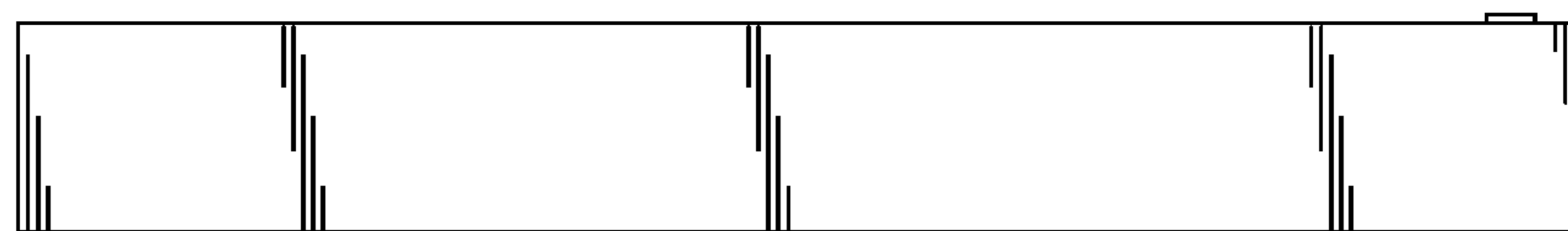


FIG. 2

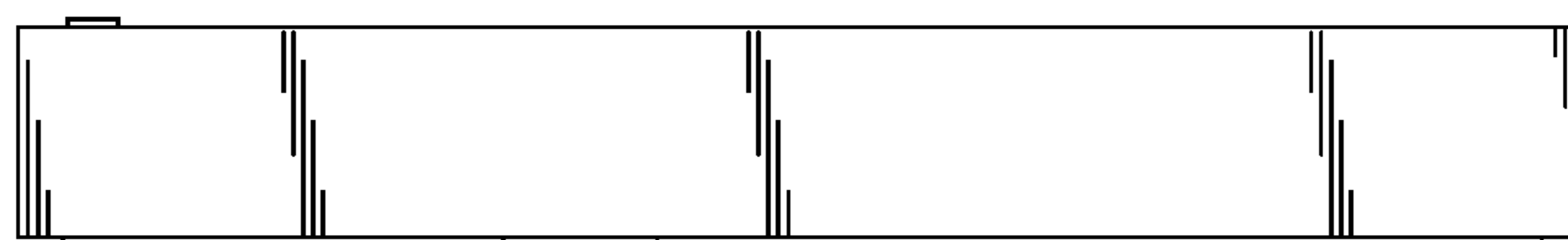


FIG. 3

FIG. 4

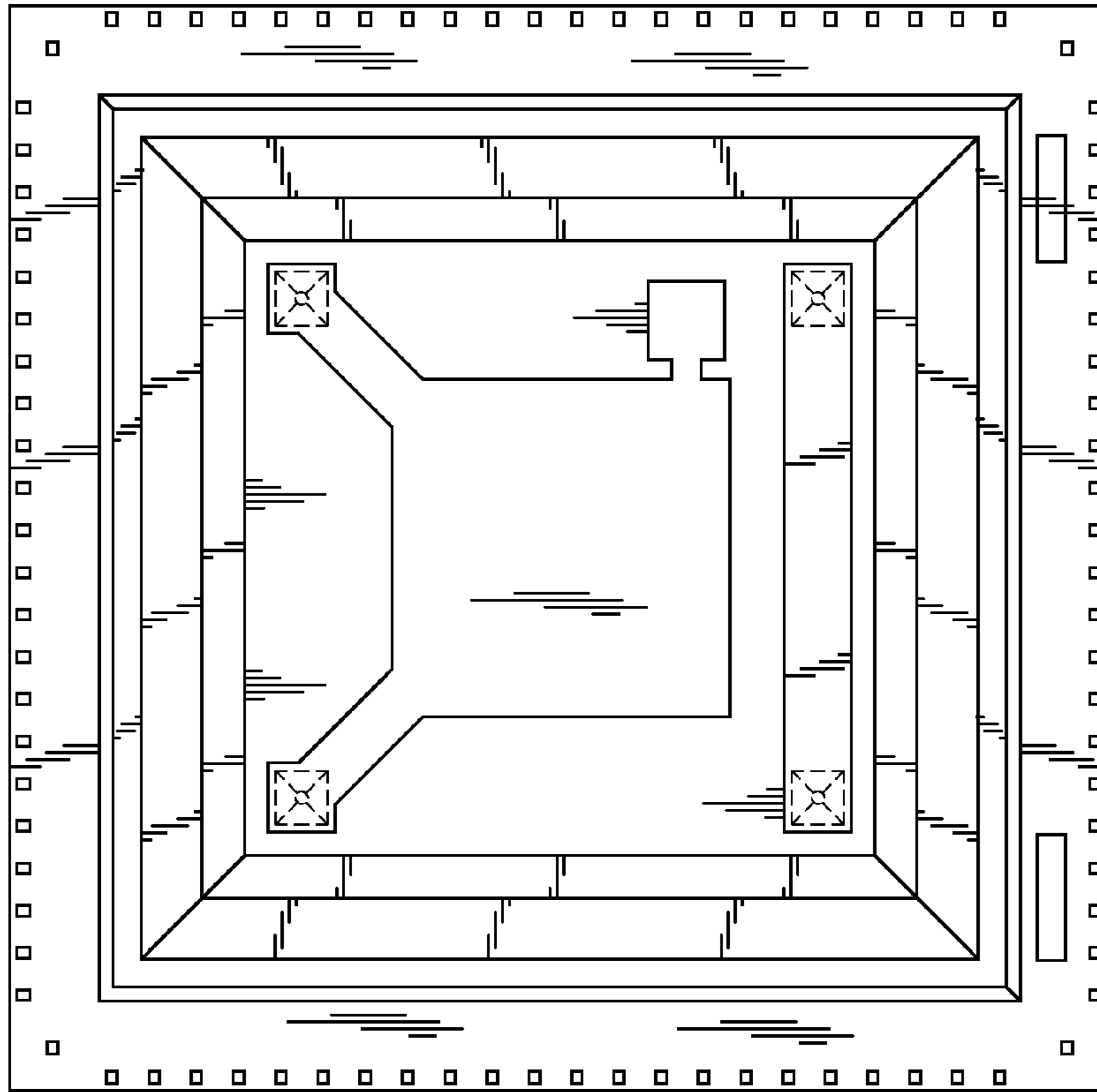
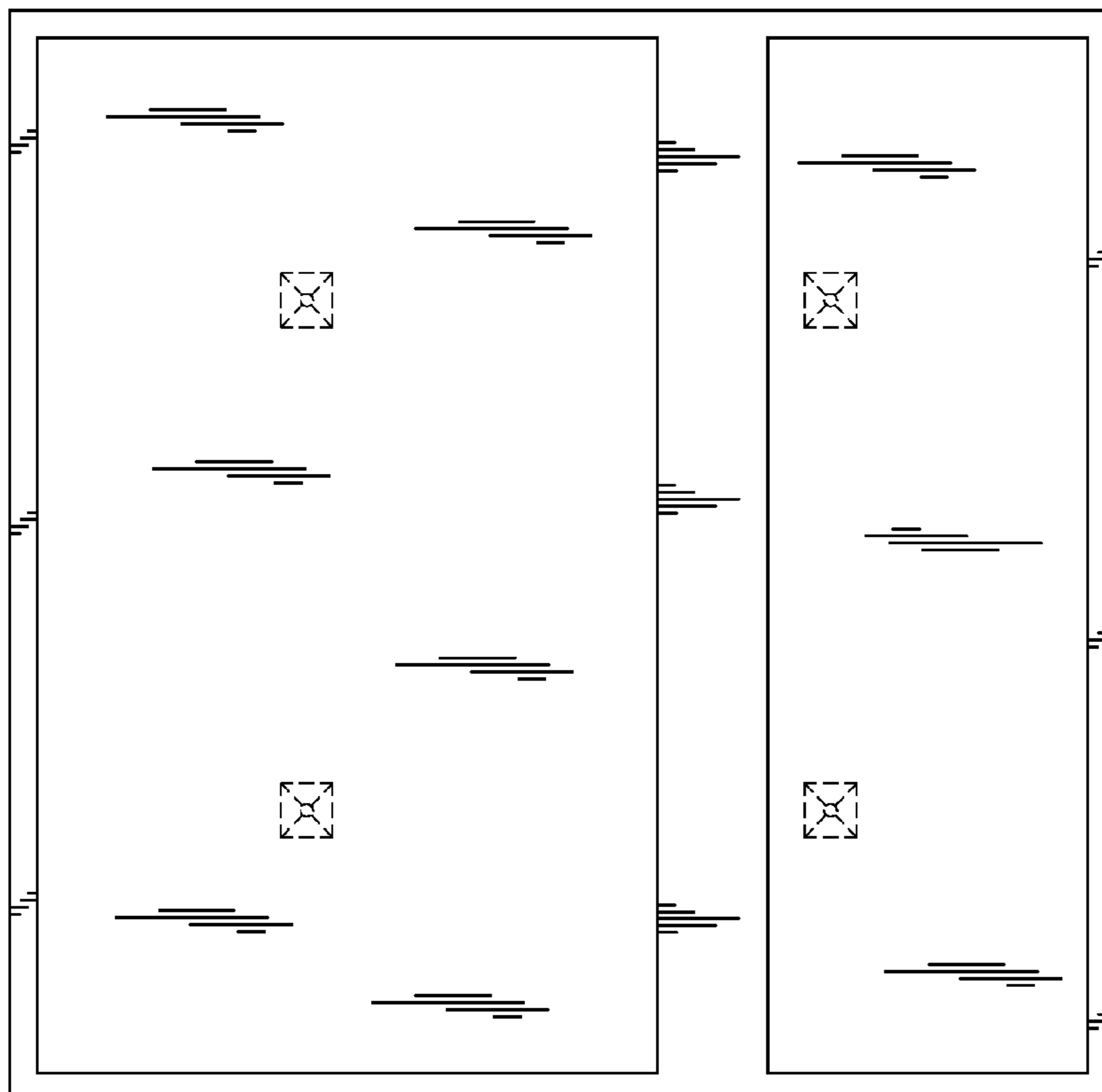


FIG. 5



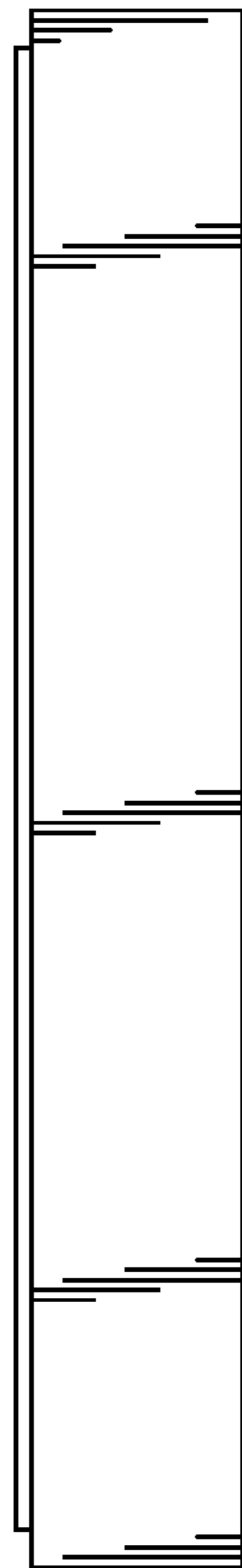


FIG. 6

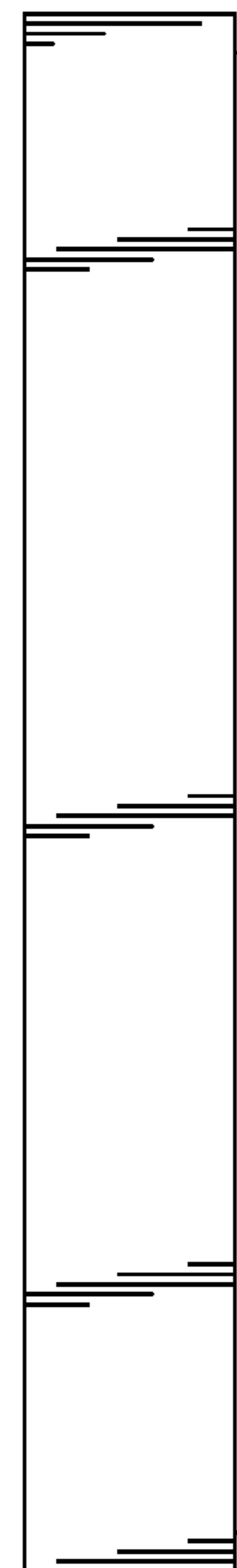


FIG. 7