



US00D616380S

(12) **United States Design Patent**
Chang et al.

(10) **Patent No.:** **US D616,380 S**
(45) **Date of Patent:** **** May 25, 2010**

(54) **HEAT DISSIPATION DEVICE**

(75) Inventors: **Hsueh-Chen Chang**, Miao-Li Hsien (TW); **Shan-Ju Lin**, Miao-Li Hsien (TW)

(73) Assignee: **Foxsemicon Integrated Technology, Inc.**, Chu-Nan, Miao-Li Hsien (TW)

(**) Term: **14 Years**

(21) Appl. No.: **29/344,387**

(22) Filed: **Sep. 29, 2009**

(30) **Foreign Application Priority Data**

Jun. 18, 2009 (CN) 2009 3 0306391.X

(51) **LOC (9) Cl.** **13-03**

(52) **U.S. Cl.** **D13/179**

(58) **Field of Classification Search** D13/179;
165/80.3, 104.33, 151, 122, 185; 257/706,
257/707, 718-722; 361/687, 695, 697, 700,
361/702, 704, 709, 710, 711, 719
See application file for complete search history.

(56) **References Cited**

U.S. PATENT DOCUMENTS

D286,396 S * 10/1986 Luciano D13/179
5,464,054 A * 11/1995 Hinshaw et al. 165/80.3

D376,132 S * 12/1996 Orton D13/179
D378,815 S * 4/1997 Dodson D13/179
6,196,302 B1 * 3/2001 Chuang 165/122
6,343,014 B1 * 1/2002 Lin 361/697
6,648,065 B2 * 11/2003 Huang et al. 165/121
6,874,566 B1 * 4/2005 Artman et al. 165/80.3
D529,873 S * 10/2006 He et al. D13/179
7,440,282 B2 * 10/2008 Brandenburg et al. 361/704
2005/0078456 A1 * 4/2005 Mandel et al. 361/719

* cited by examiner

Primary Examiner—Selina Sikder

(74) *Attorney, Agent, or Firm*—Raymond J. Chew

(57) **CLAIM**

The ornamental design for a heat dissipation device, as shown.

DESCRIPTION

FIG. 1 is a perspective view of a heat dissipation device showing our new design.

FIG. 2 is a front elevational view thereof.

FIG. 3 is a rear elevational view thereof.

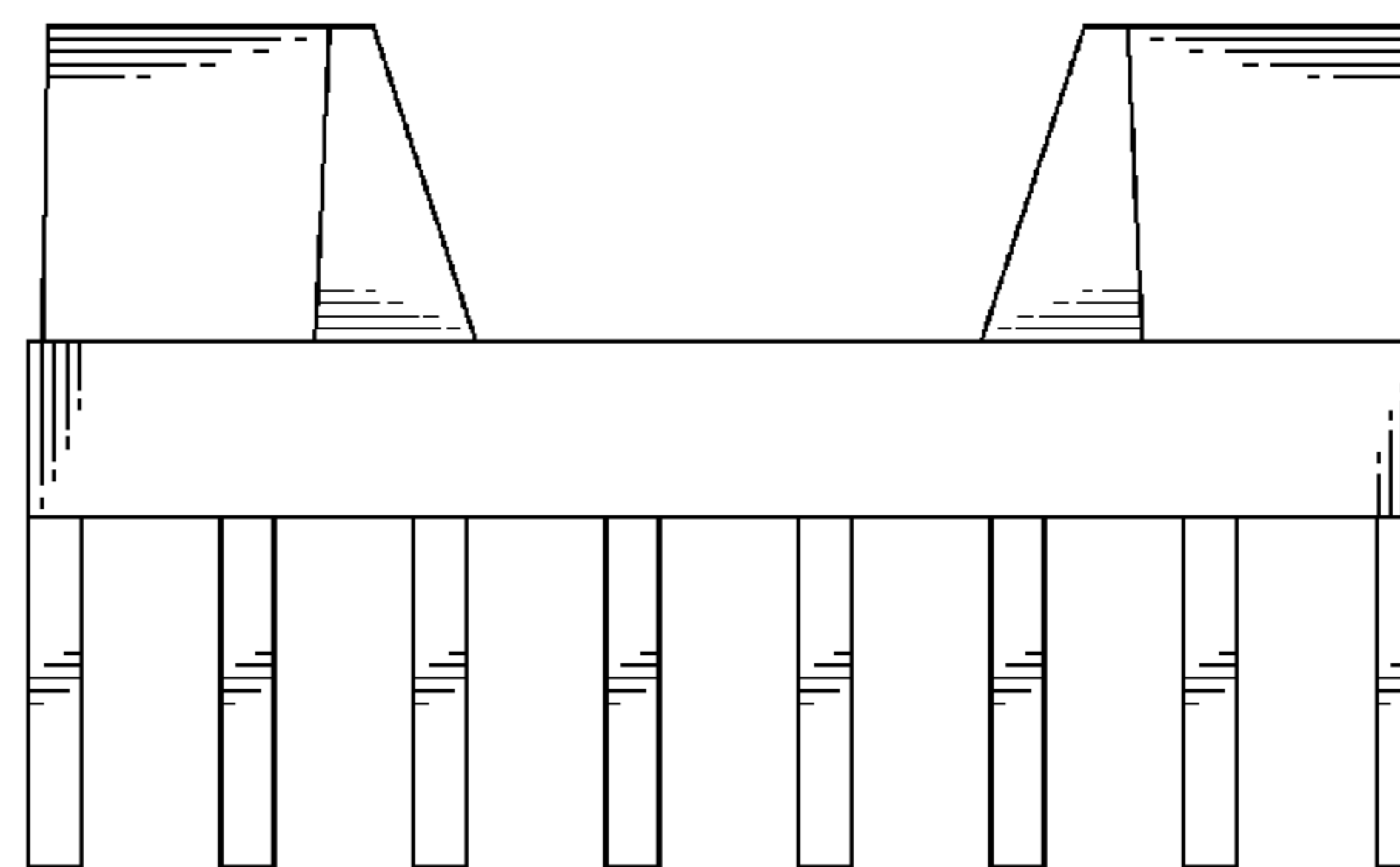
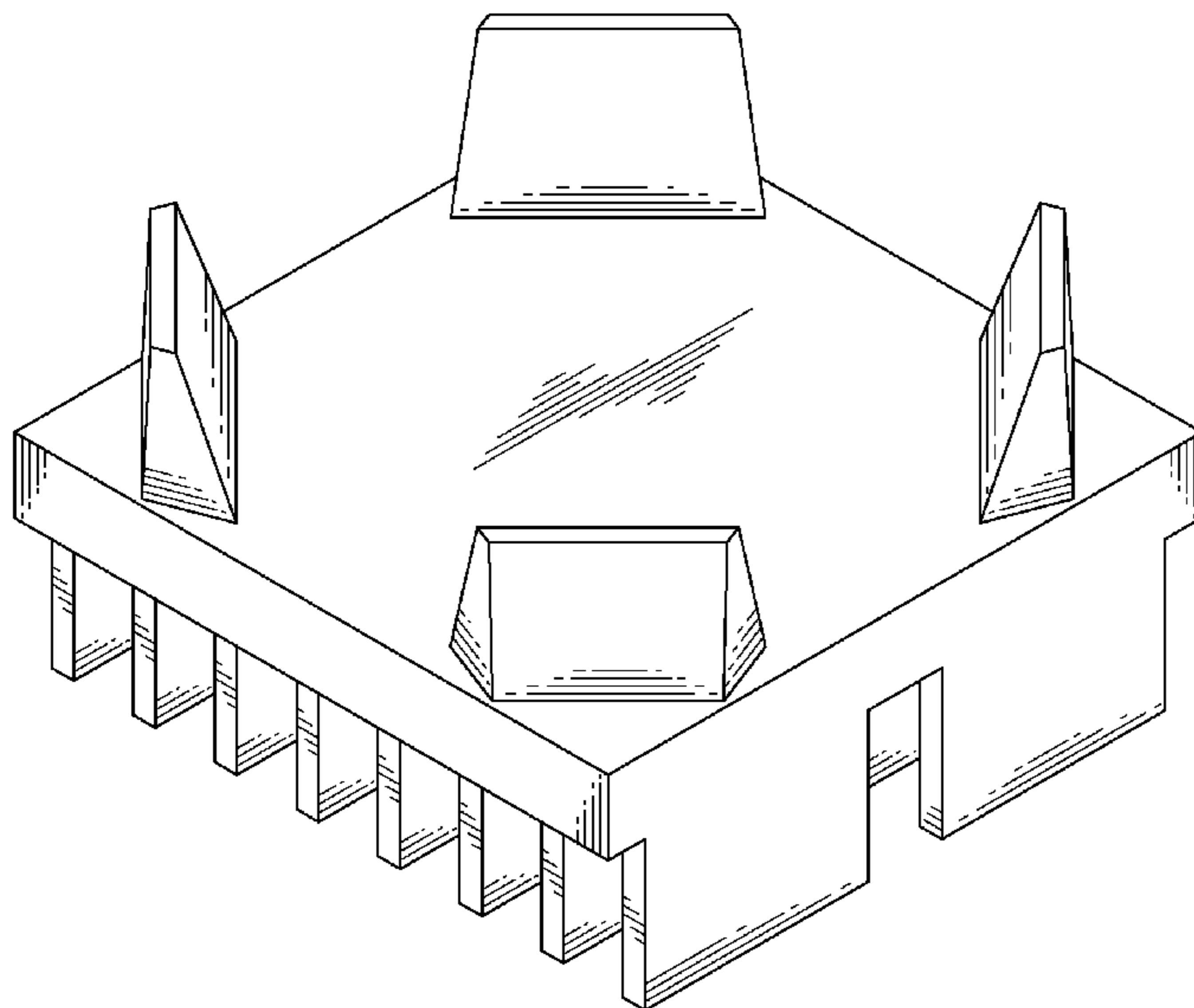
FIG. 4 is a left-side, elevational view thereof.

FIG. 5 is a right-side, elevational view thereof.

FIG. 6 is a top plan view thereof; and,

FIG. 7 is a bottom plan view thereof.

1 Claim, 7 Drawing Sheets



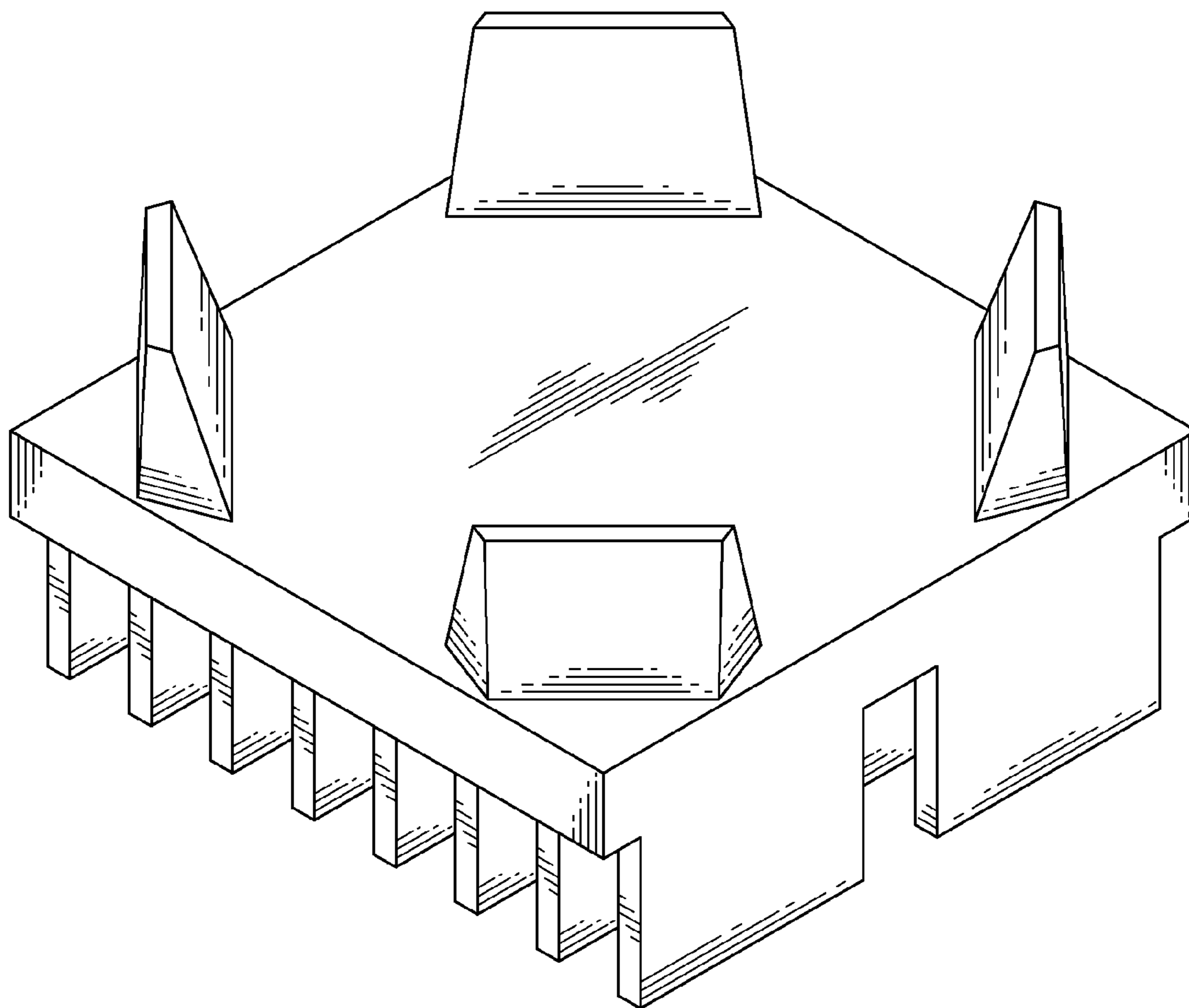


FIG. 1

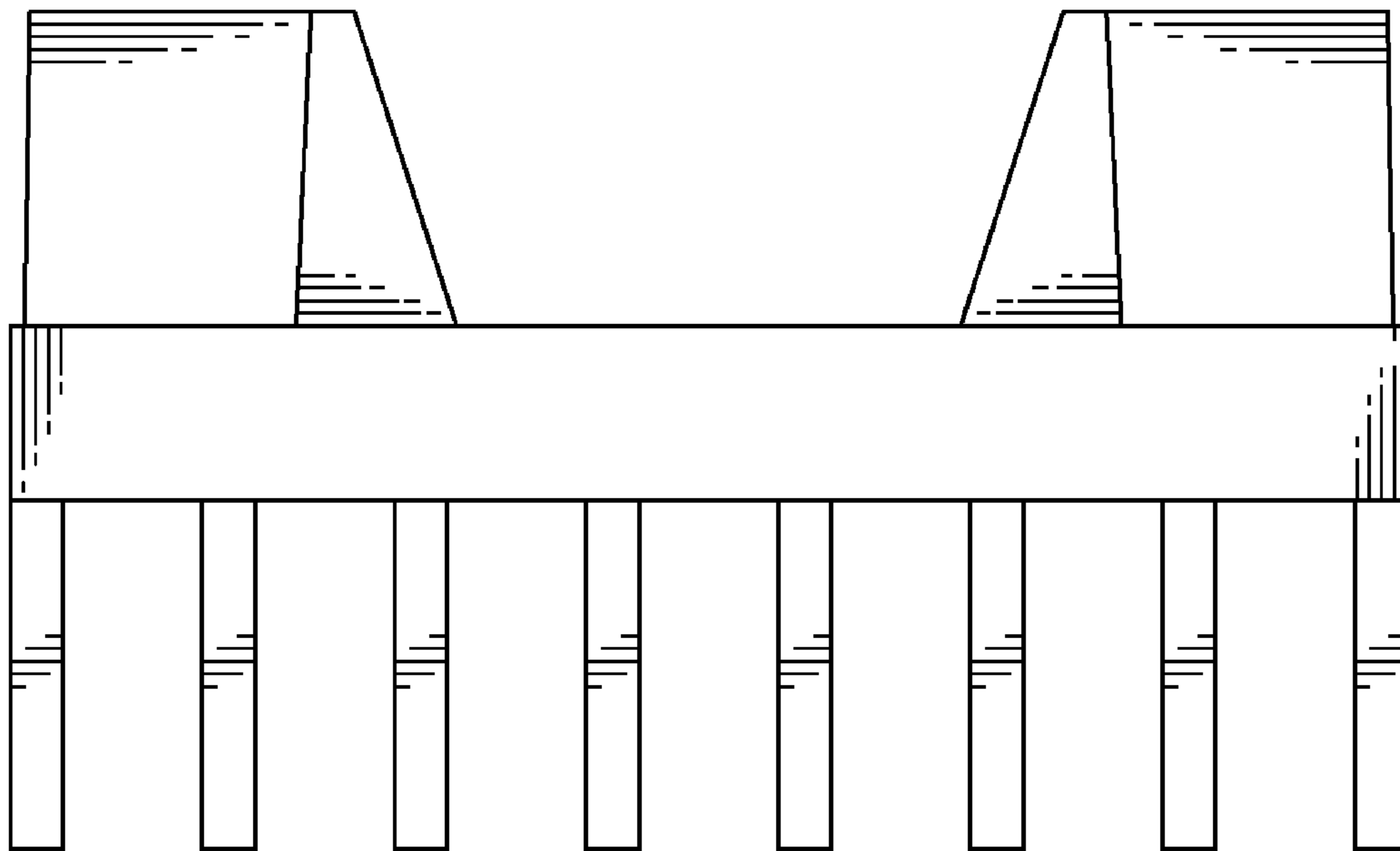


FIG. 2

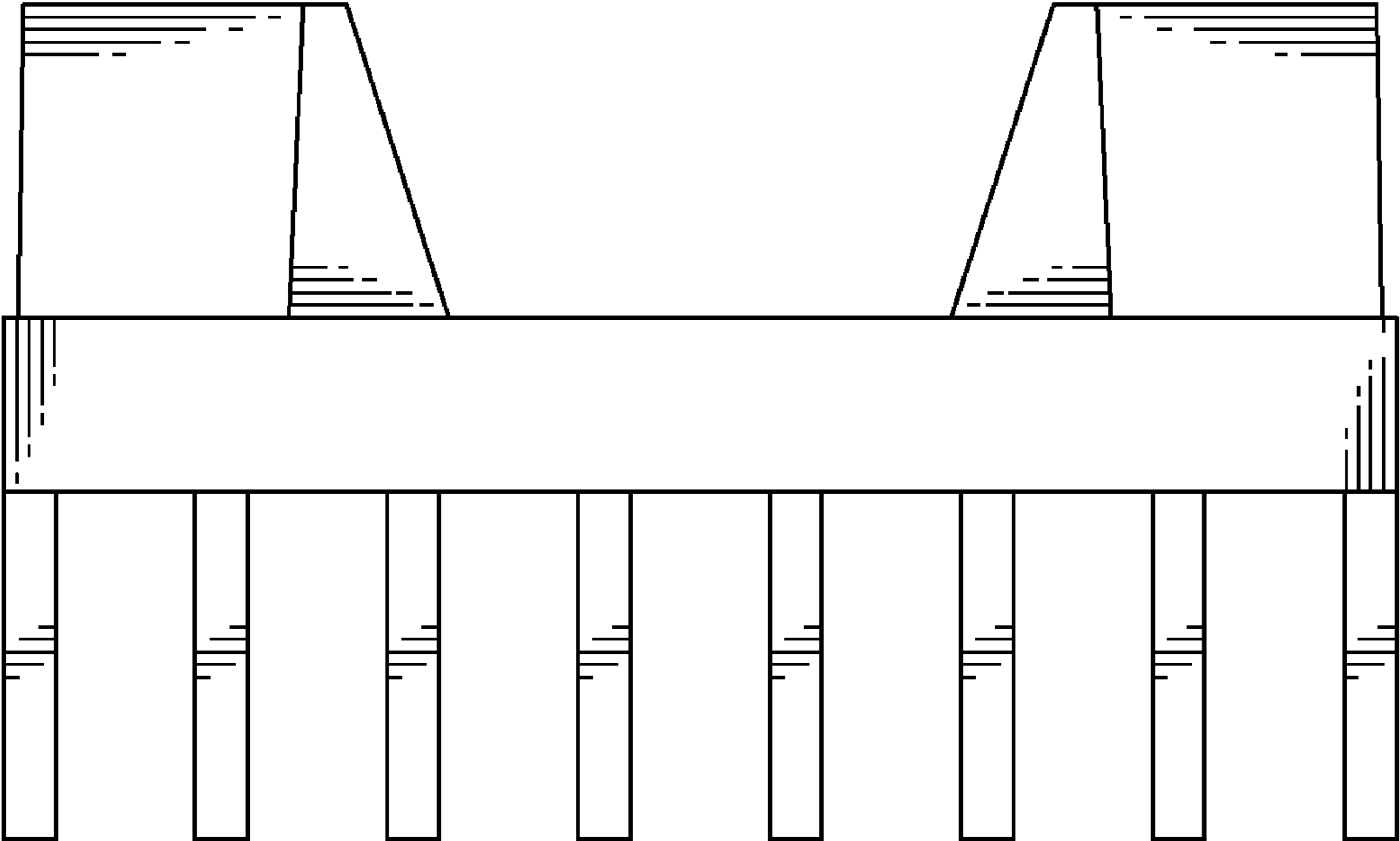


FIG. 3

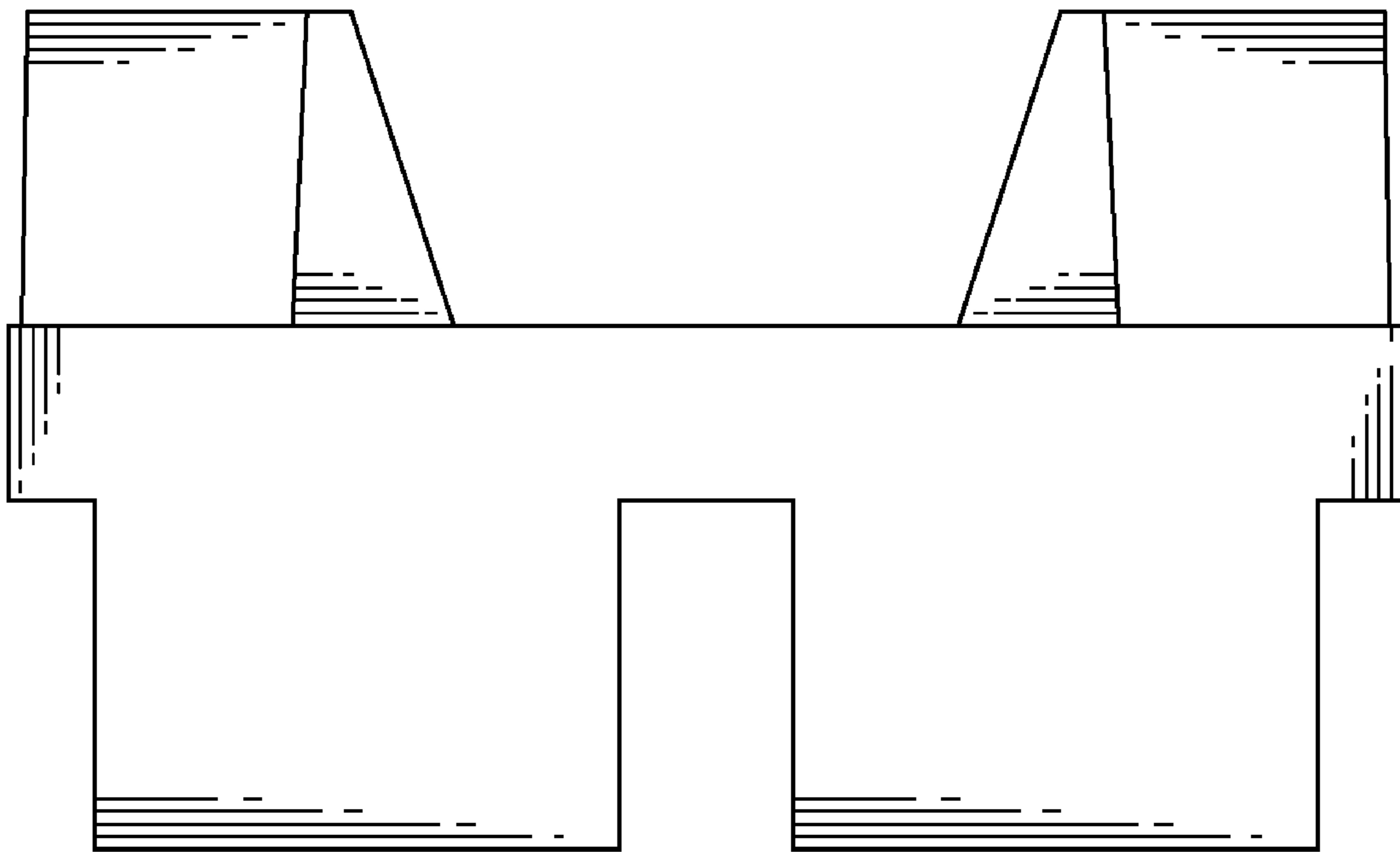


FIG. 4

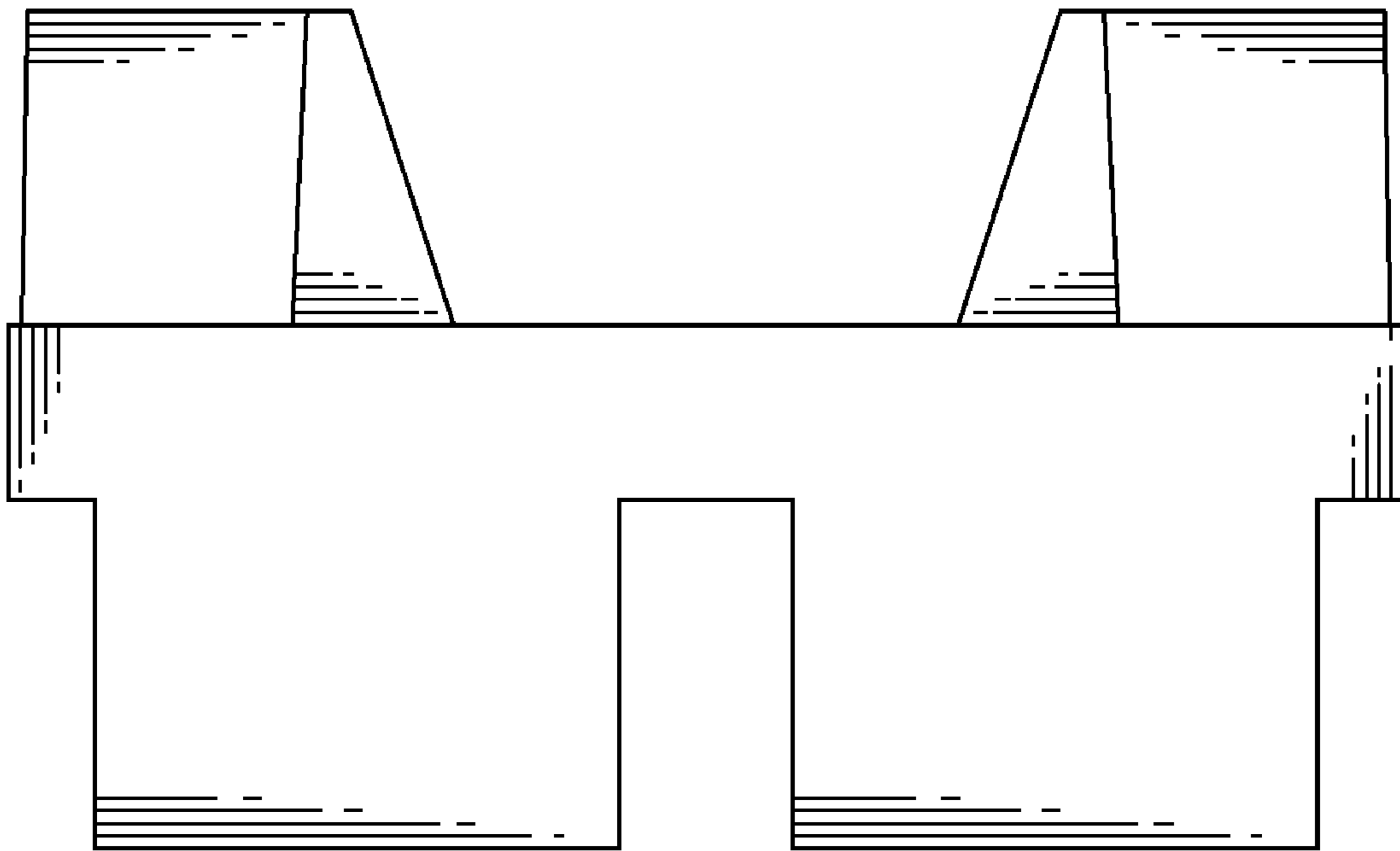


FIG. 5

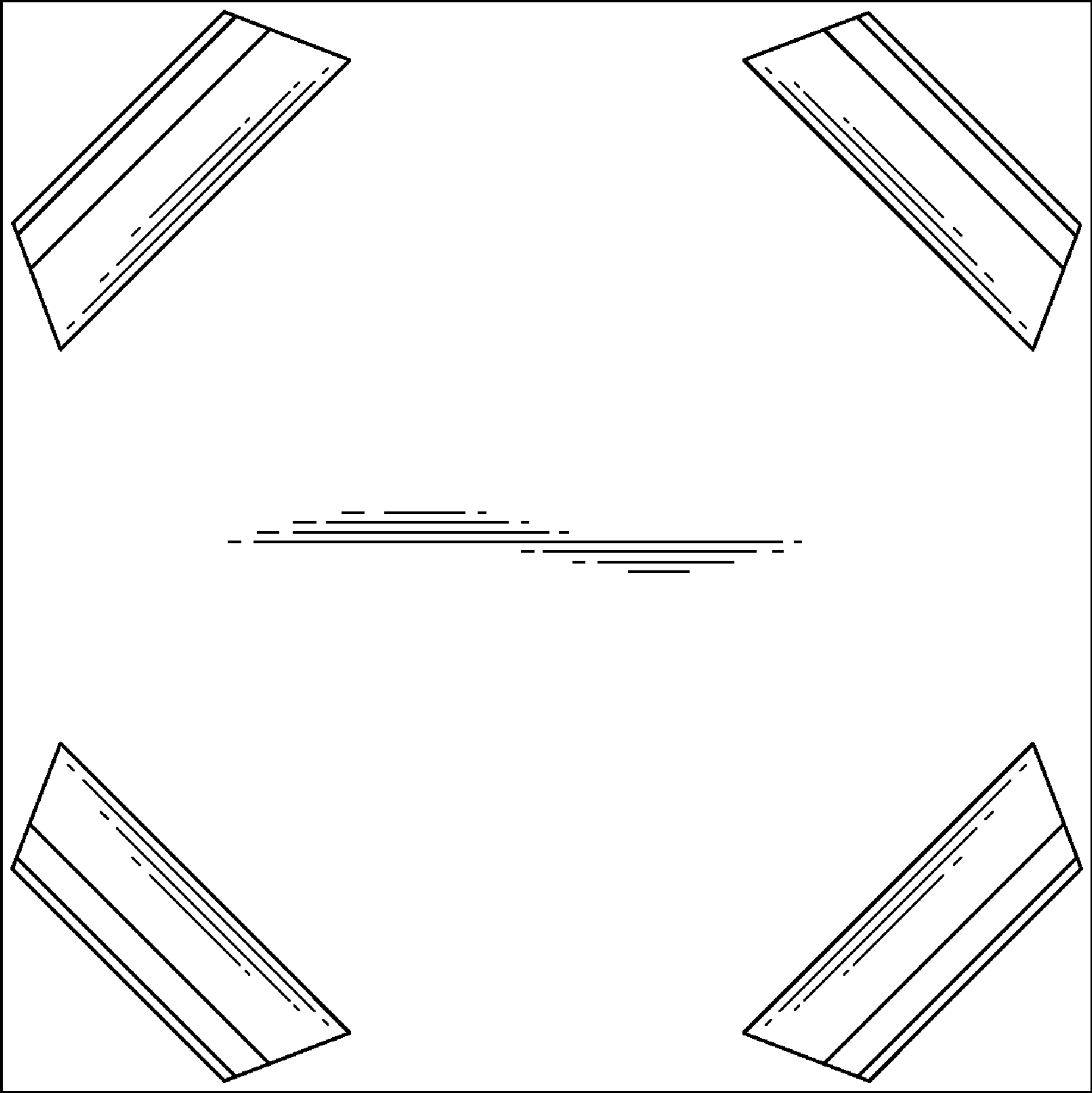


FIG. 6

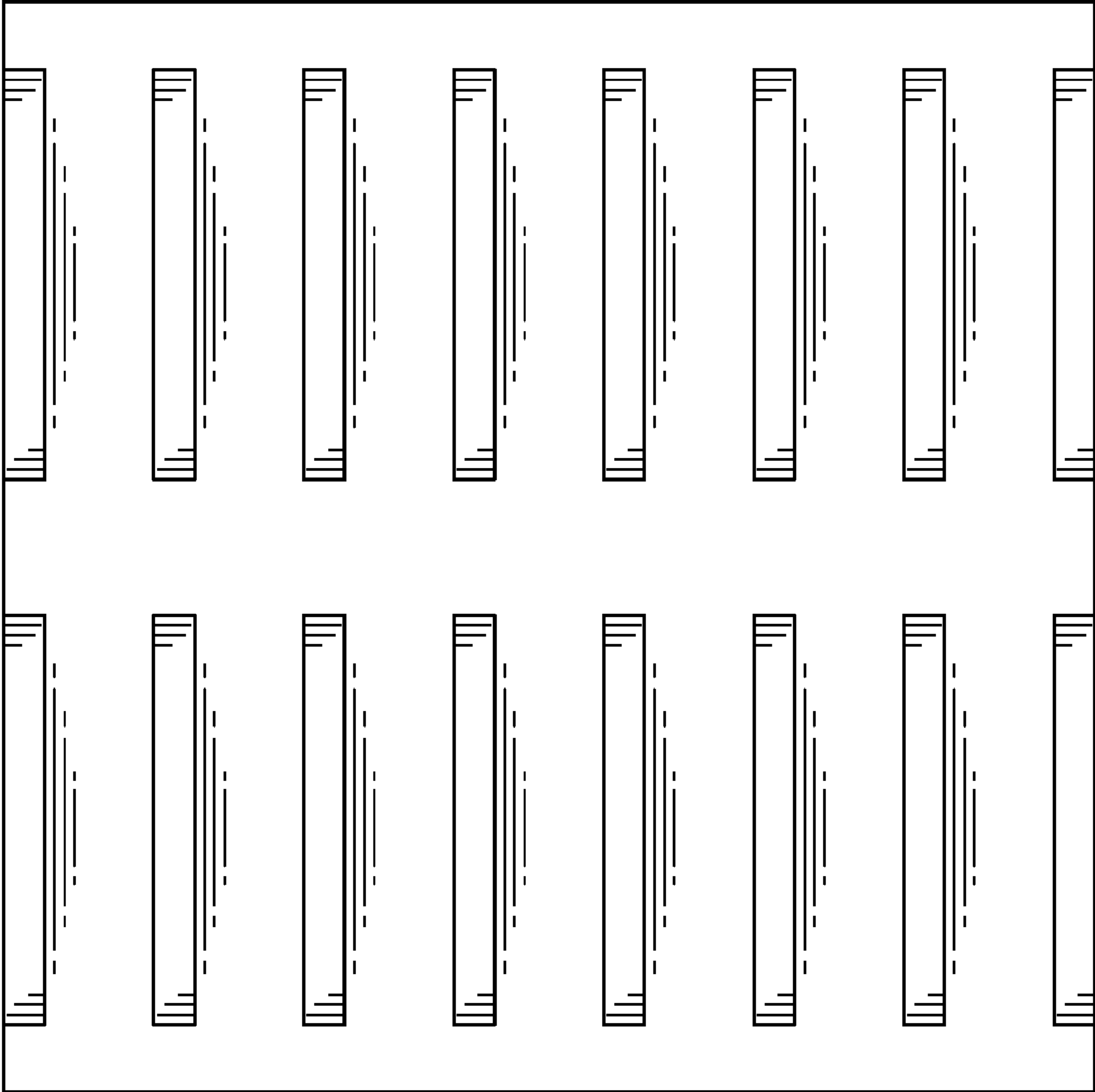


FIG. 7