



US00D616378S

(12) **United States Design Patent**
Chang et al.

(10) **Patent No.:** **US D616,378 S**

(45) **Date of Patent:** **** May 25, 2010**

(54) **HEAT DISSIPATION DEVICE**

(75) Inventors: **Hsueh-Chen Chang**, Miao-Li Hsien (TW); **Ming-Chin Chien**, Miao-Li Hsien (TW); **Shan-Ju Lin**, Miao-Li Hsien (TW)

(73) Assignee: **Foxsemicon Integrated Technology, Inc.**, Chu-Nan, Miao-Li Hsien (TW)

(**) Term: **14 Years**

(21) Appl. No.: **29/344,031**

(22) Filed: **Sep. 22, 2009**

(30) **Foreign Application Priority Data**

Jun. 18, 2009 (CN) 2009 3 03036490.8

(51) **LOC (9) Cl.** **13-03**

(52) **U.S. Cl.** **D13/179**

(58) **Field of Classification Search** D13/179;
165/80.3, 104.33, 151, 122, 185; 257/706,
257/707, 718-722; 361/687, 695, 697, 700,
361/702, 704, 709, 710, 711, 719

See application file for complete search history.

(56) **References Cited**

U.S. PATENT DOCUMENTS

D285,301 S * 8/1986 Johnson D13/179

5,574,626 A * 11/1996 Smith 361/204
D402,025 S * 12/1998 Dodson D23/370
6,295,202 B1 * 9/2001 Tucker et al. 361/704
6,343,014 B1 * 1/2002 Lin 361/697
2003/0183373 A1 * 10/2003 Sarraf et al. 165/104.33
2004/0104021 A1 * 6/2004 Kujirai 165/185
2007/0272400 A1 * 11/2007 Abul-Haj et al. 165/185
2009/0139690 A1 * 6/2009 Maerz et al. 165/80.2

* cited by examiner

Primary Examiner—Selina Sikder

(74) *Attorney, Agent, or Firm*—Raymond J. Chew

(57) **CLAIM**

The ornamental design for a heat dissipation device, as shown.

DESCRIPTION

FIG. 1 is a perspective view of a heat dissipation device showing our new design.

FIG. 2 is a front elevational view thereof.

FIG. 3 is a rear elevational view thereof.

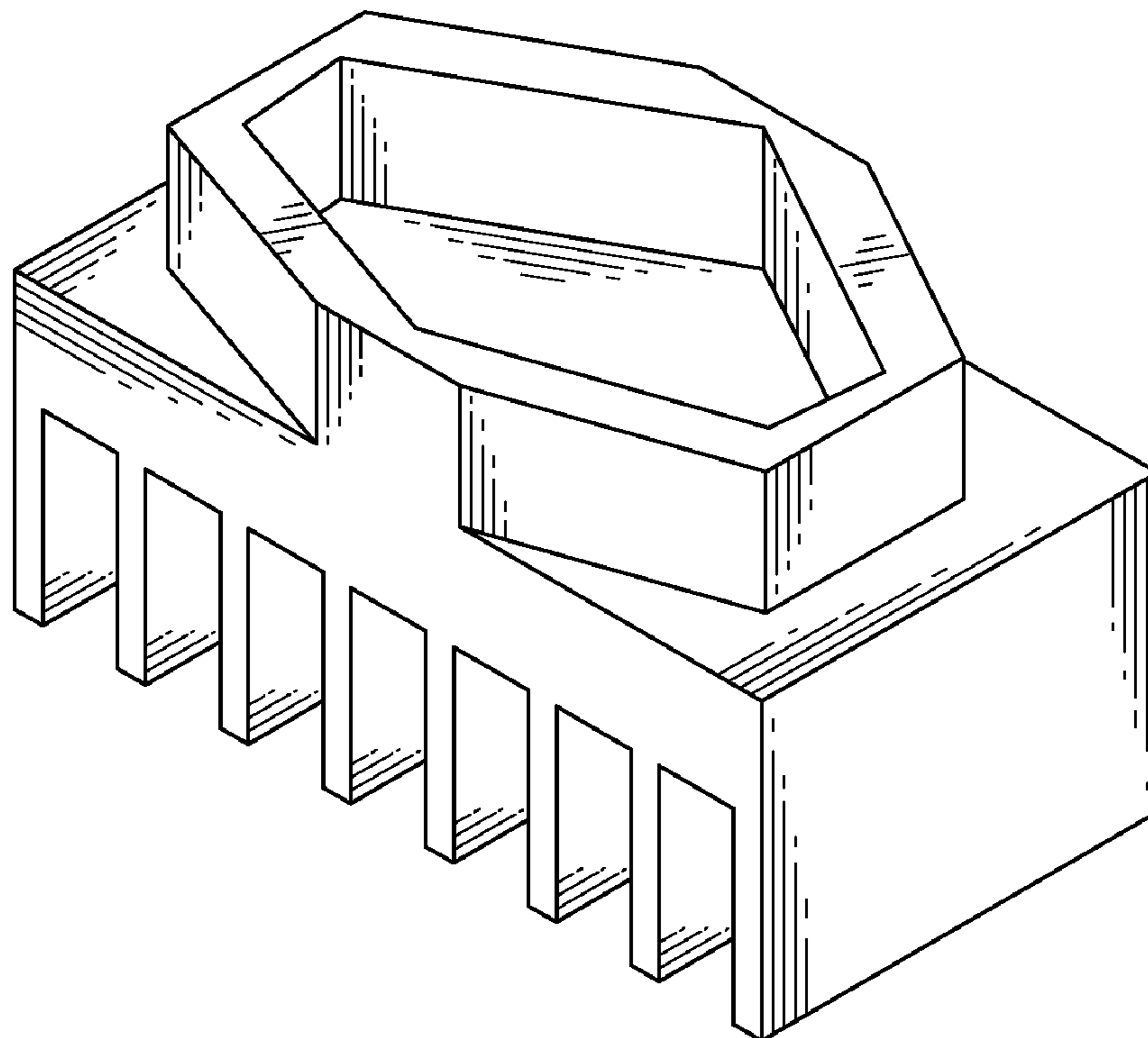
FIG. 4 is a left-side, elevational view thereof.

FIG. 5 is a right-side, elevational view thereof.

FIG. 6 is a top plan view thereof; and,

FIG. 7 is a bottom plan view thereof.

1 Claim, 7 Drawing Sheets



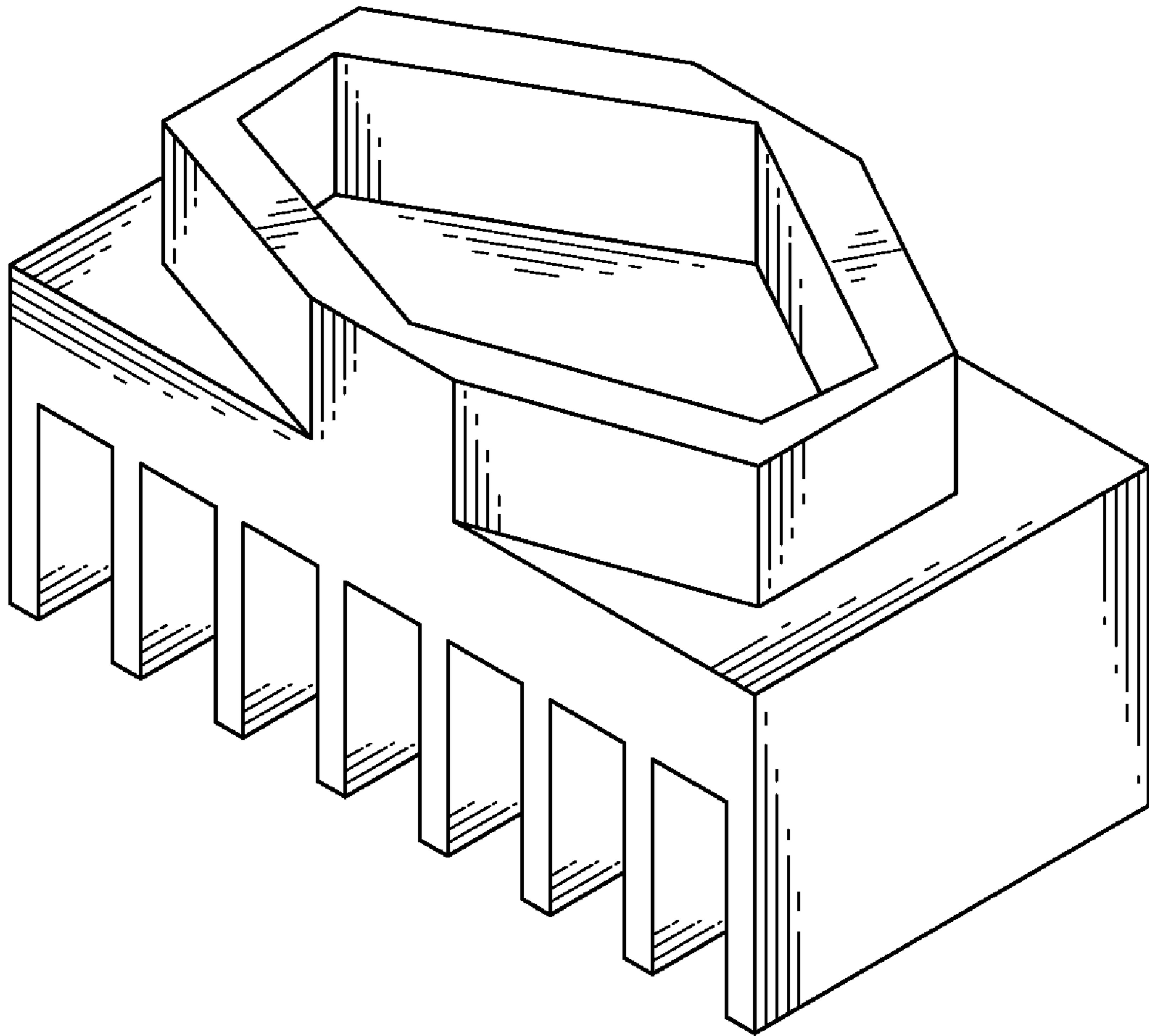


FIG. 1

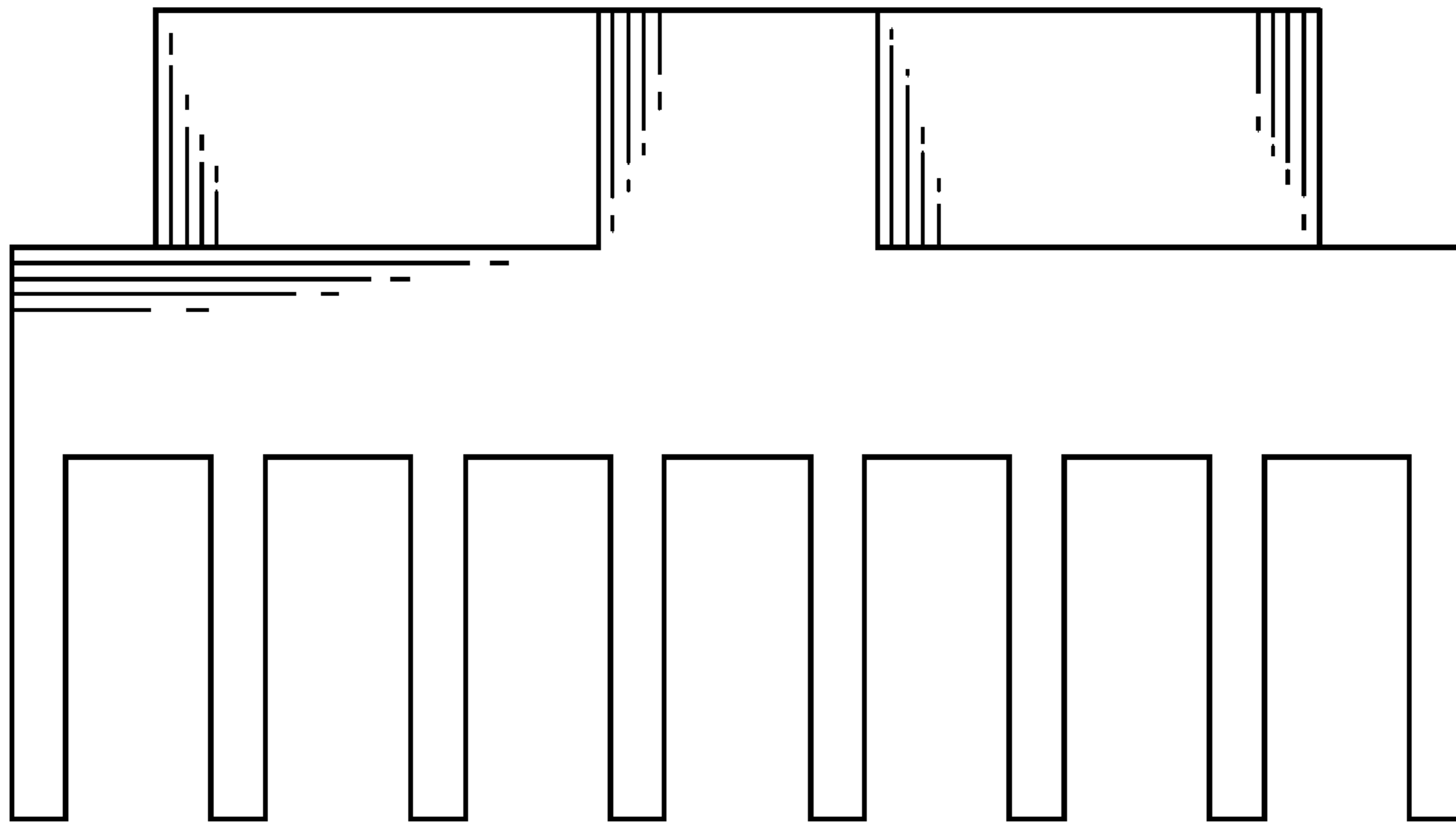


FIG. 2

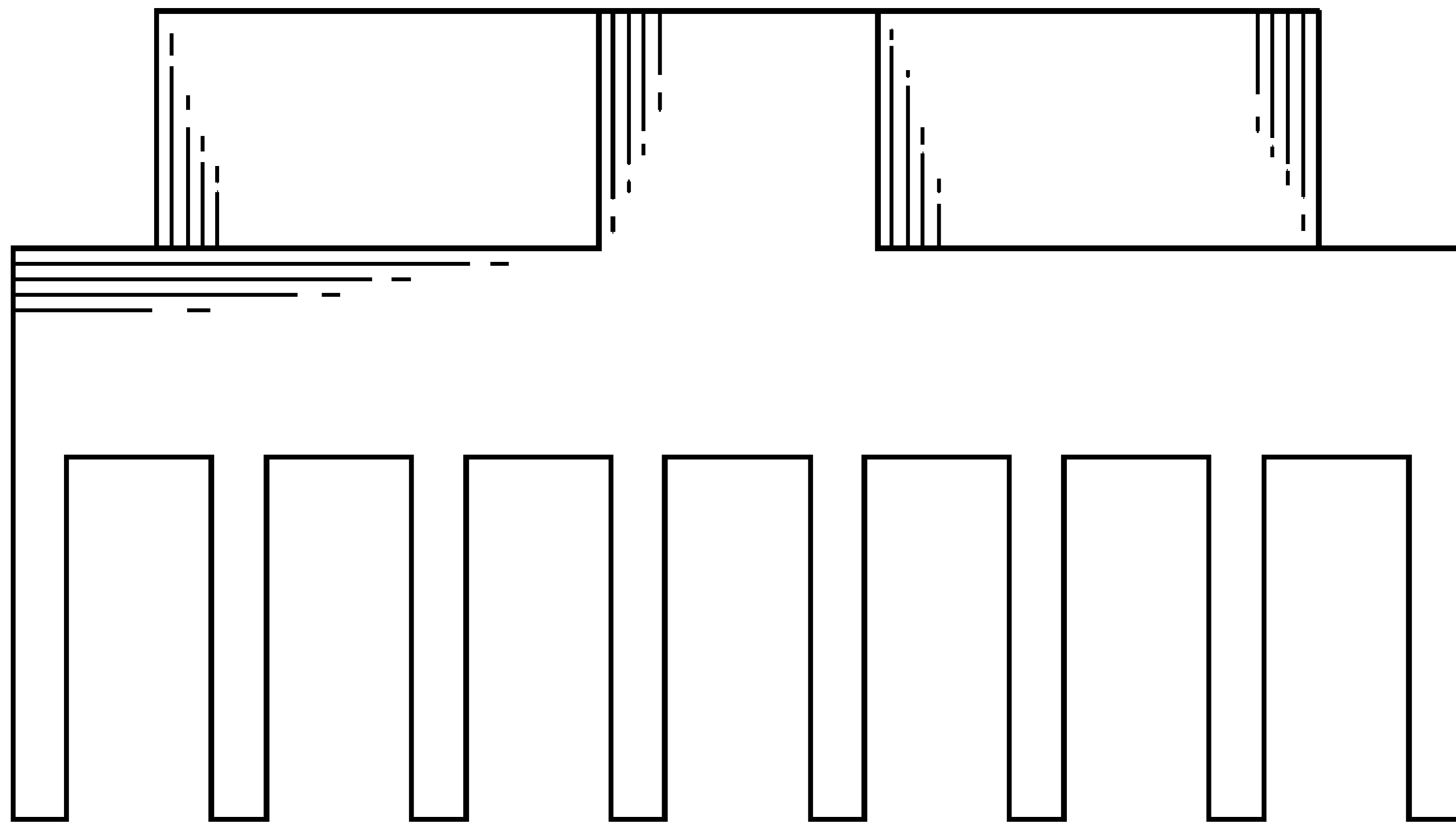


FIG. 3

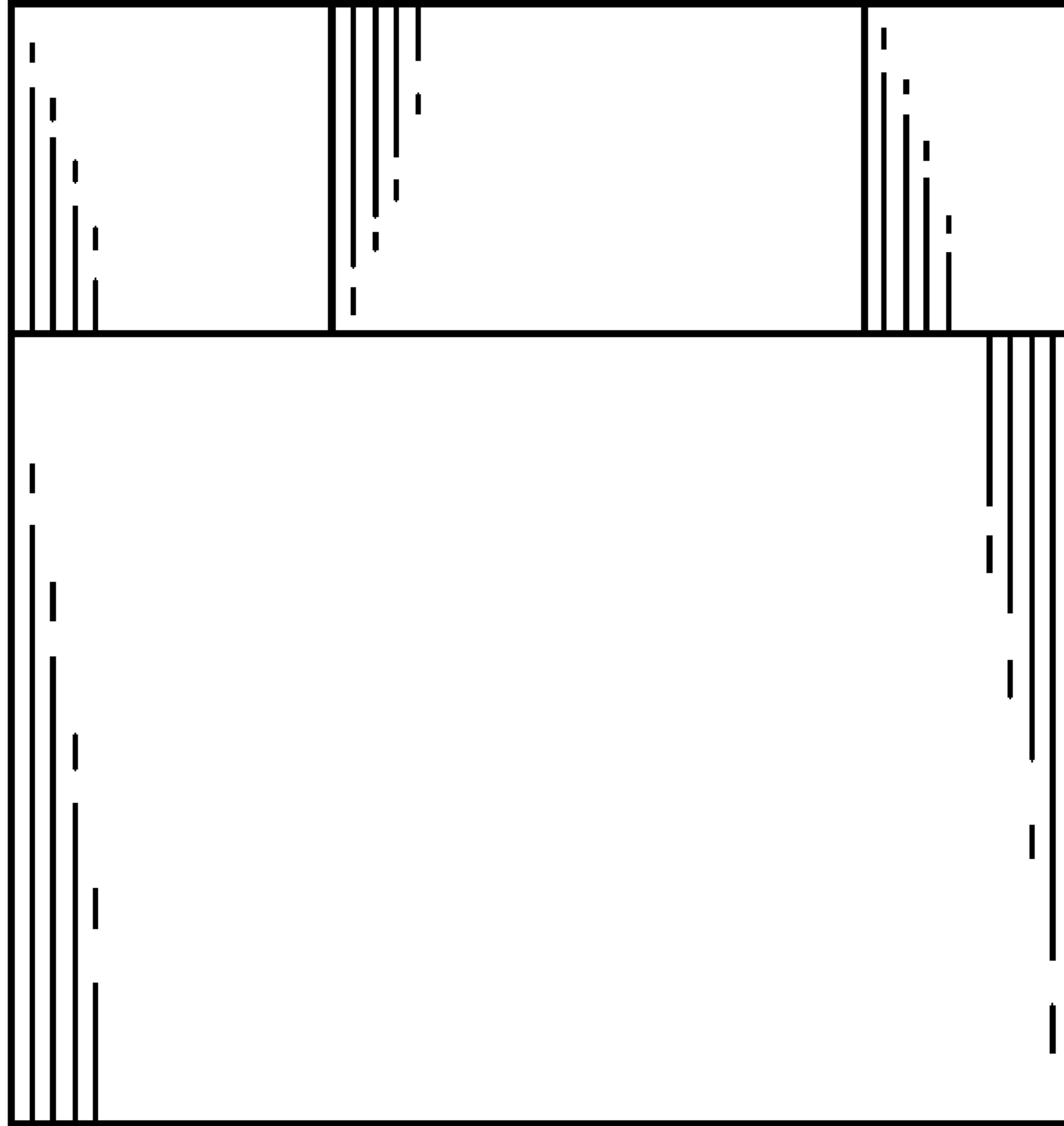


FIG. 4

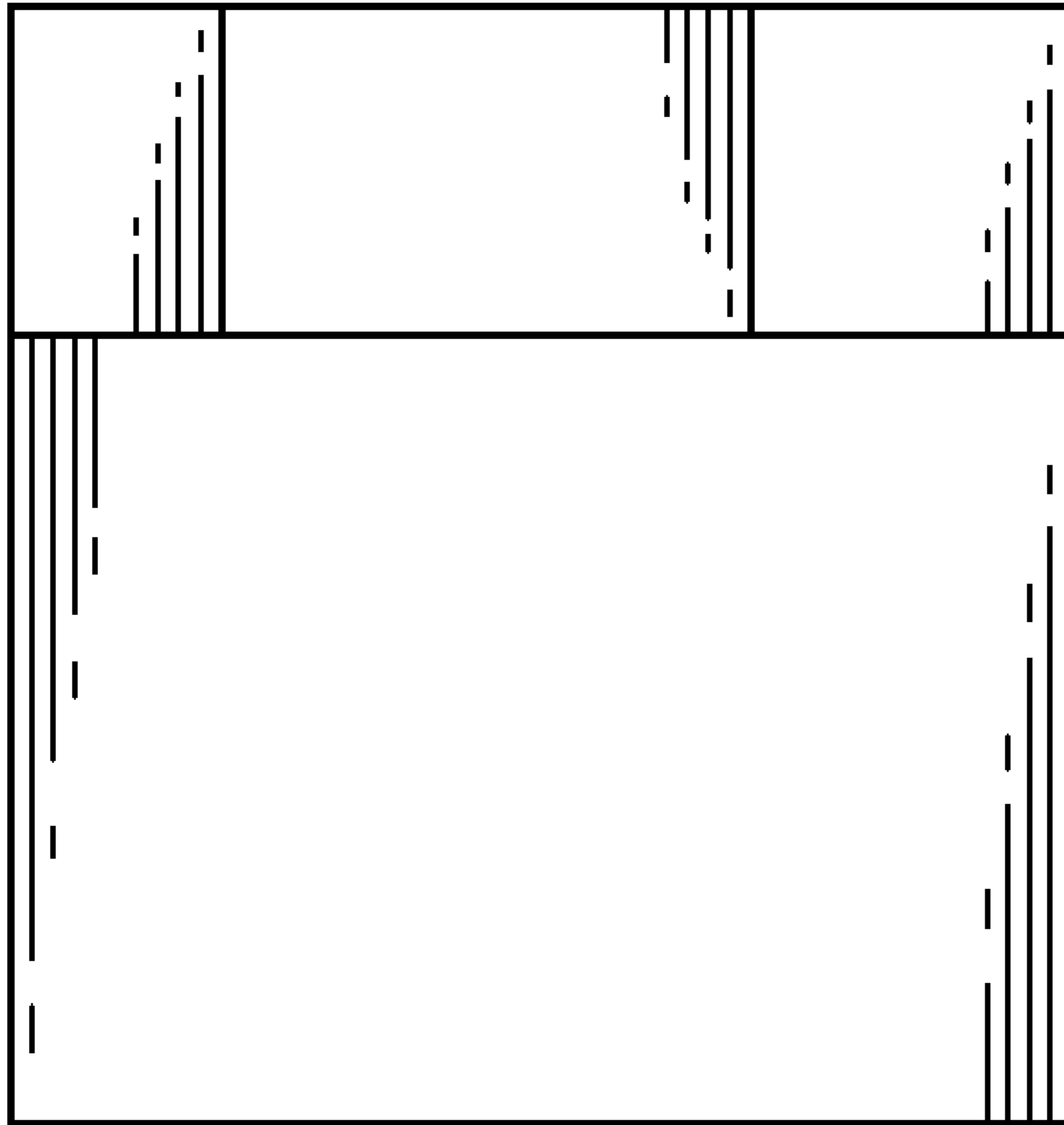


FIG. 5

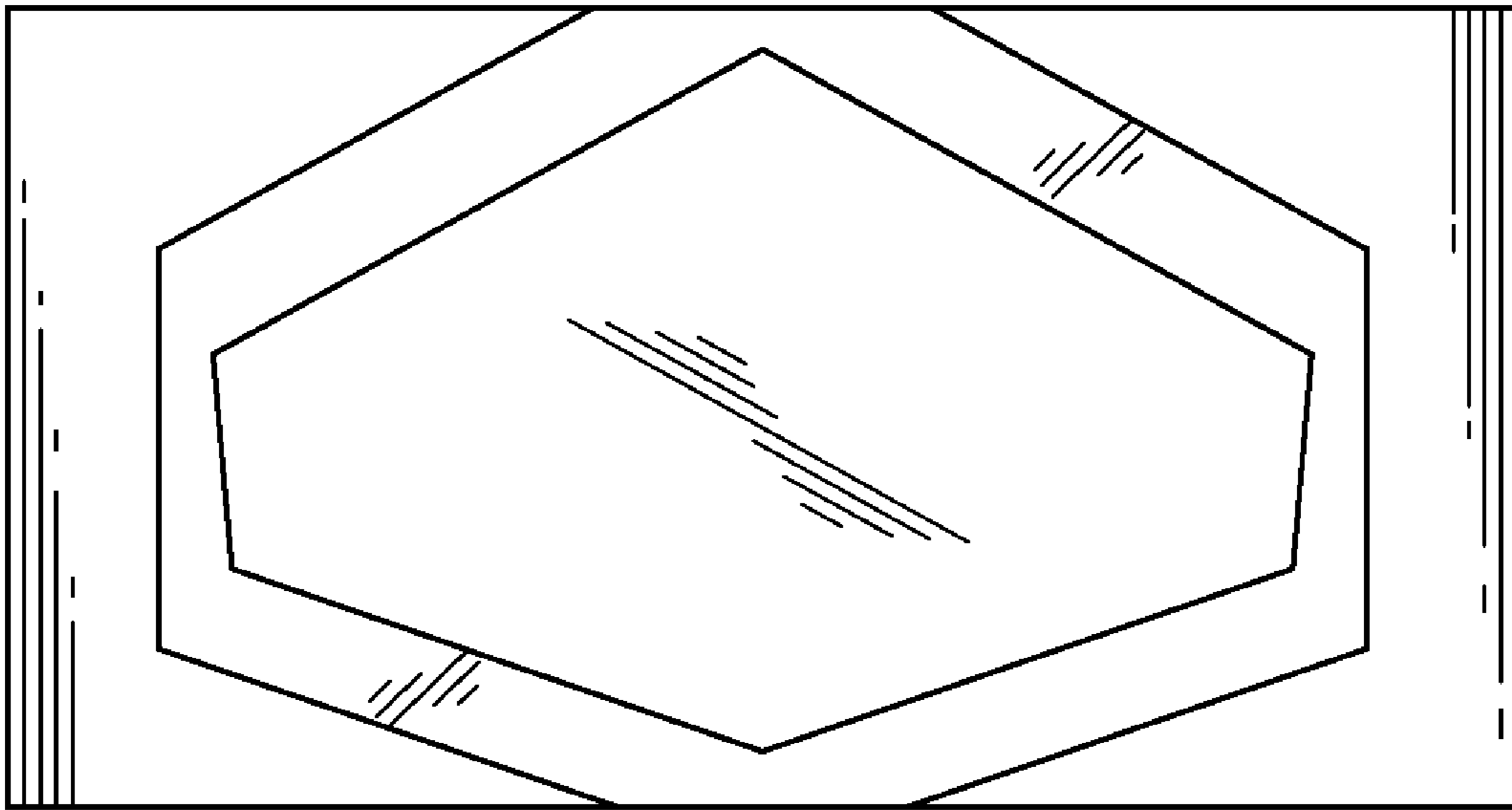


FIG. 6

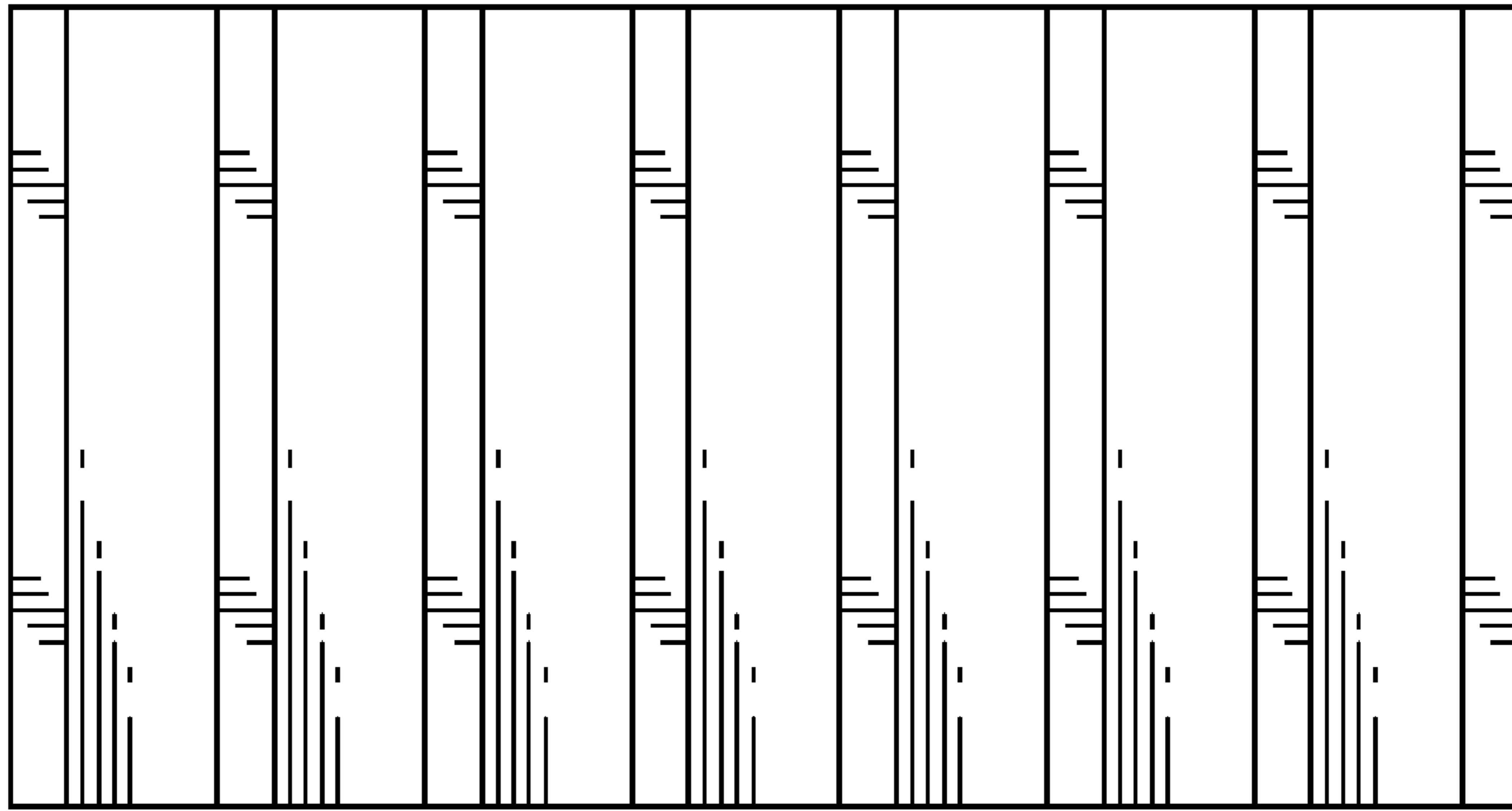


FIG. 7