



US00D616376S

(12) **United States Design Patent**
Lannoch

(10) **Patent No.:** **US D616,376 S**

(45) **Date of Patent:** **** May 25, 2010**

(54) **ELECTRONIC CONTROL BOX**

(75) Inventor: **Hans-Juergen Lannoch**,
Linkenheim-Hochstetten (DE)

(73) Assignee: **Sew-Eurodrive GmbH & Co. KG**,
Bruchsal (DE)

(**) Term: **14 Years**

(21) Appl. No.: **29/313,983**

(22) Filed: **Feb. 23, 2009**

(30) **Foreign Application Priority Data**

Aug. 22, 2008 (DE) 40 2008 004 094

(51) **LOC (9) Cl.** **13-03**

(52) **U.S. Cl.** **D13/162**

(58) **Field of Classification Search** D13/147,
D13/158-164, 173, 177, 182, 184, 199; 361/605,
361/678, 690, 752; D10/106; 439/568, 660;
307/113, 125, 149; 232/1 D, 4 R; 220/3.8,
220/324; 109/173; 206/1.5

See application file for complete search history.

(56) **References Cited**

U.S. PATENT DOCUMENTS

D267,949 S * 2/1983 Hisatsune D14/188
D366,243 S * 1/1996 Kurokawa et al. D13/162
D366,867 S * 2/1996 Kurokawa et al. D13/162

D367,042 S * 2/1996 Morrow et al. D13/184
D477,814 S * 7/2003 Droulin et al. D13/162.1
D479,219 S * 9/2003 Abe et al. D14/188
D563,381 S * 3/2008 Carrier et al. D14/188
D593,961 S * 6/2009 Ball et al. D13/158

* cited by examiner

Primary Examiner—Daniel D Bui

Assistant Examiner—Thomas J Johannes

(74) *Attorney, Agent, or Firm*—Kenyon & Kenyon LLP

(57) **CLAIM**

The ornamental design for an electronic control box, as shown and described.

DESCRIPTION

FIG. 1 is a front perspective view of an electronic control box showing my new design;

FIG. 2 is a front view thereof;

FIG. 3 is a rear view thereof;

FIG. 4 is a left side view thereof;

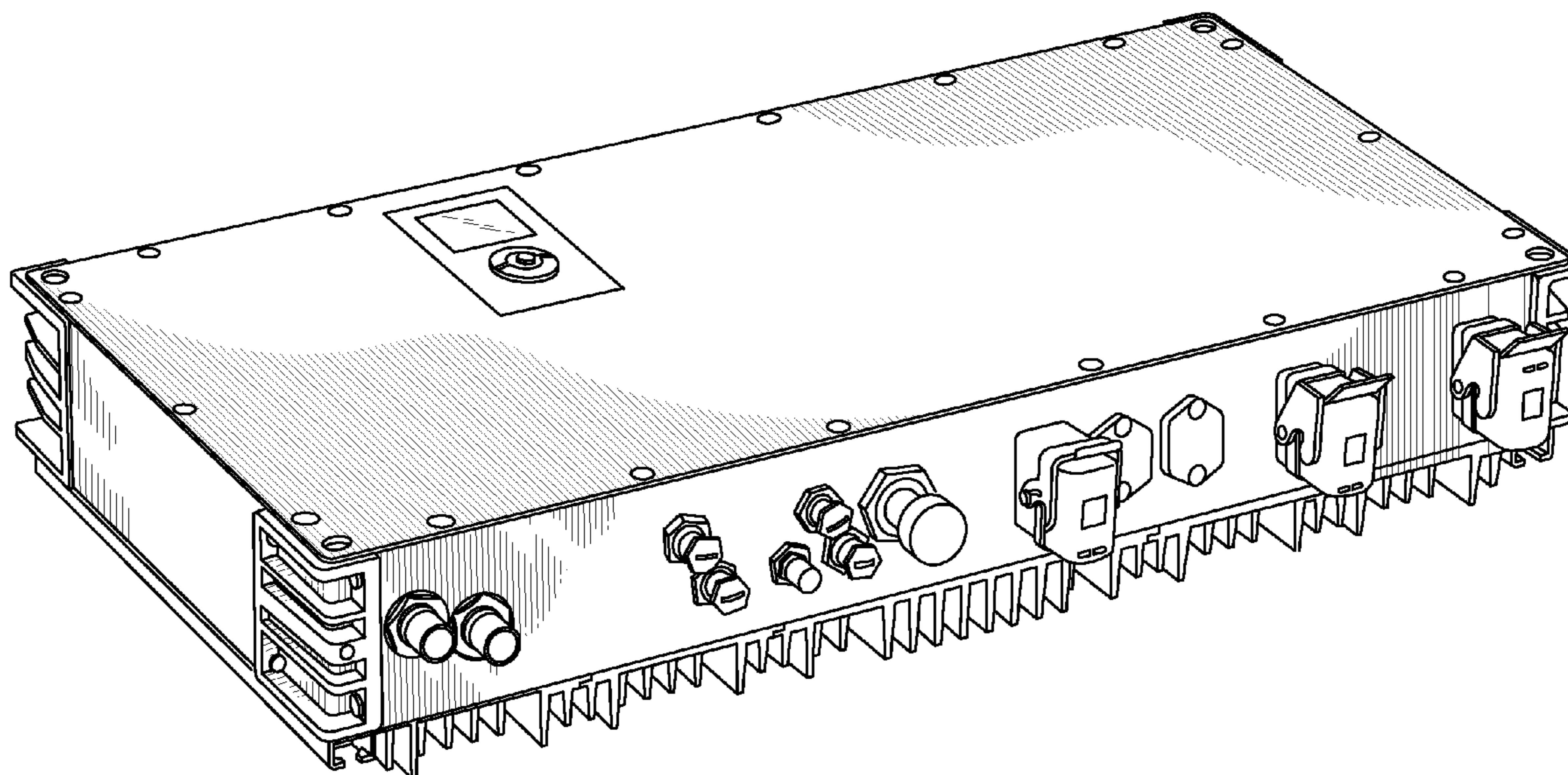
FIG. 5 is a right side view thereof;

FIG. 6 is a top view thereof; and,

FIG. 7 is a bottom view thereof.

The broken line portion of the figure drawings showing text and small rectangles on FIG. 6 is included to show unclaimed subject matter only and forms no part of the claimed design.

1 Claim, 7 Drawing Sheets



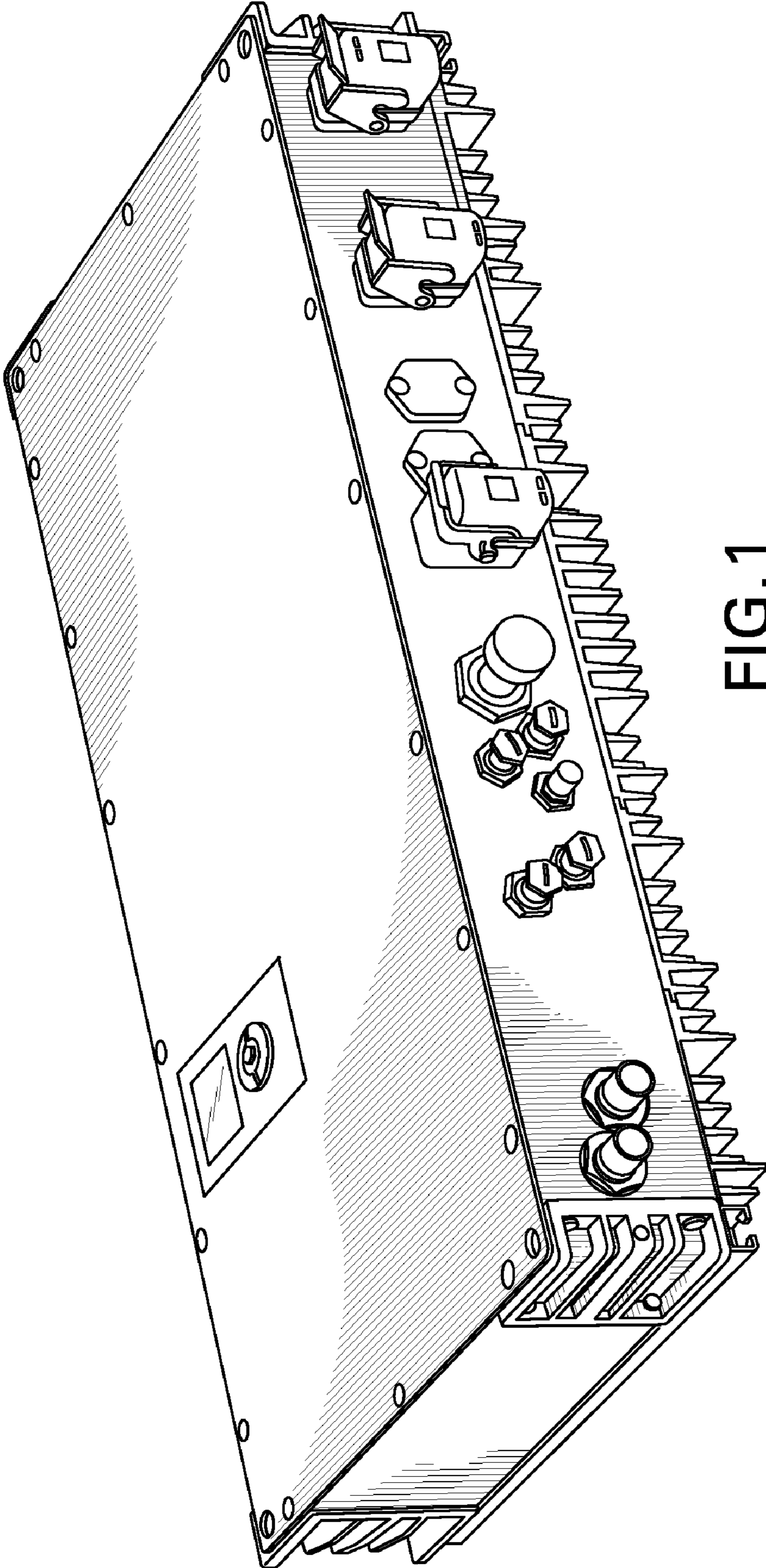


FIG. 1

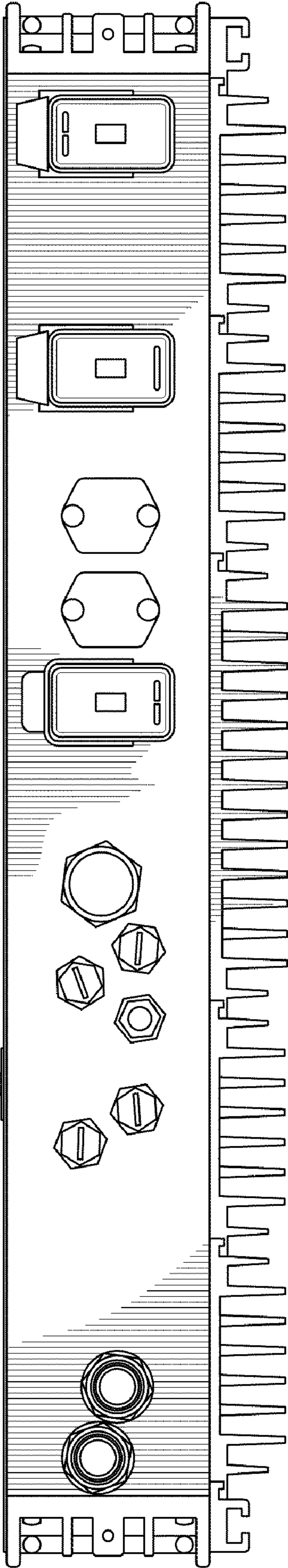


FIG. 2

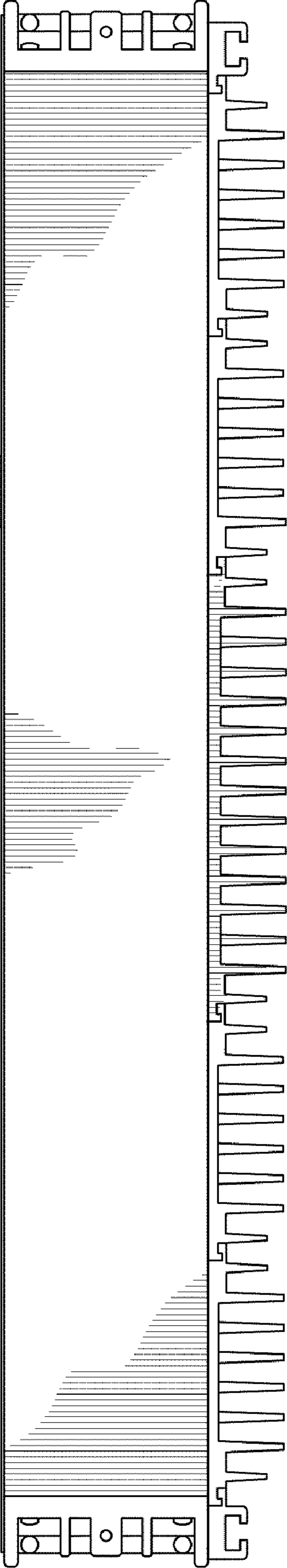


FIG. 3

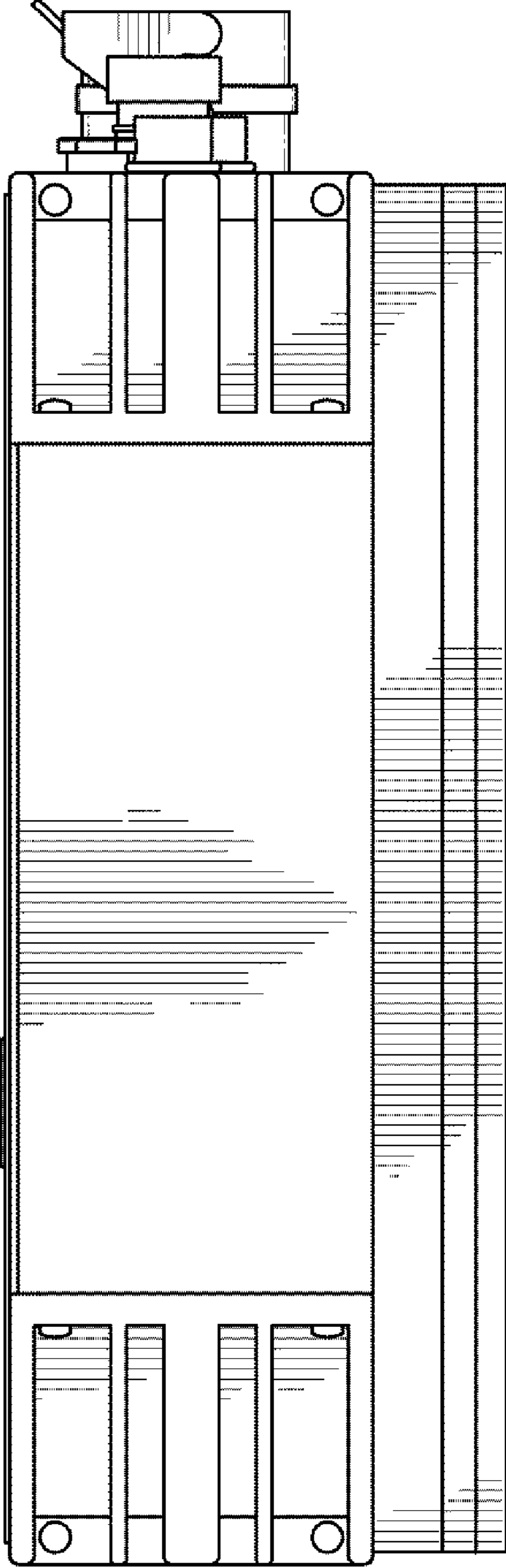


FIG.4

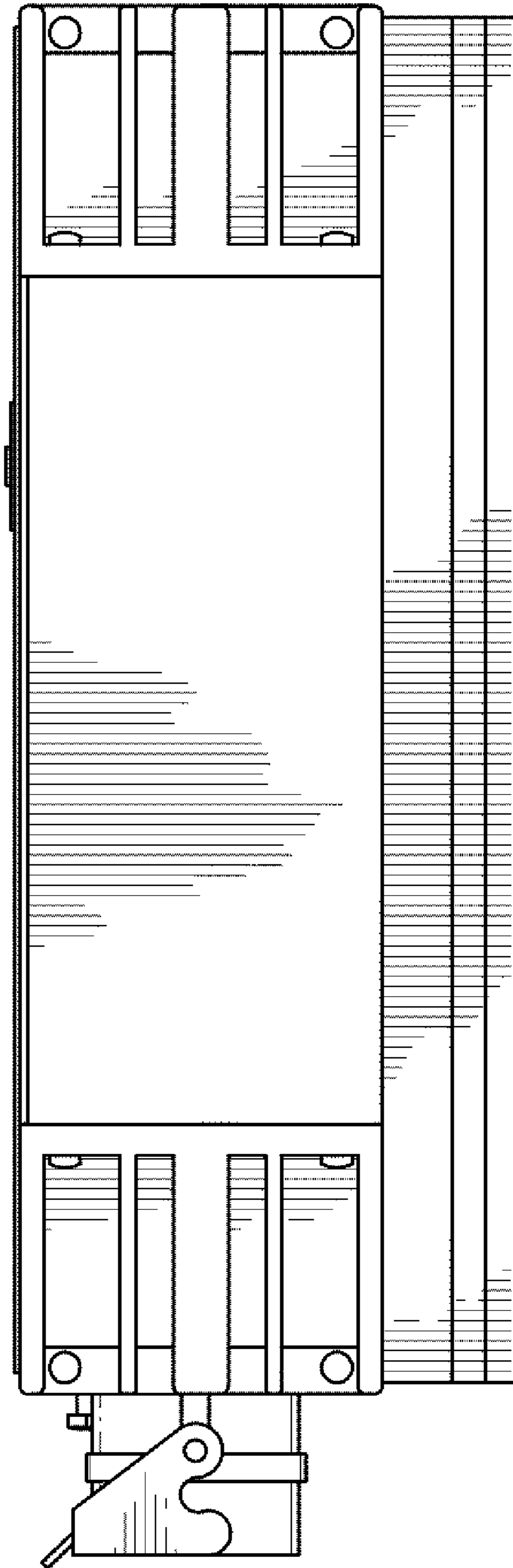


FIG. 5

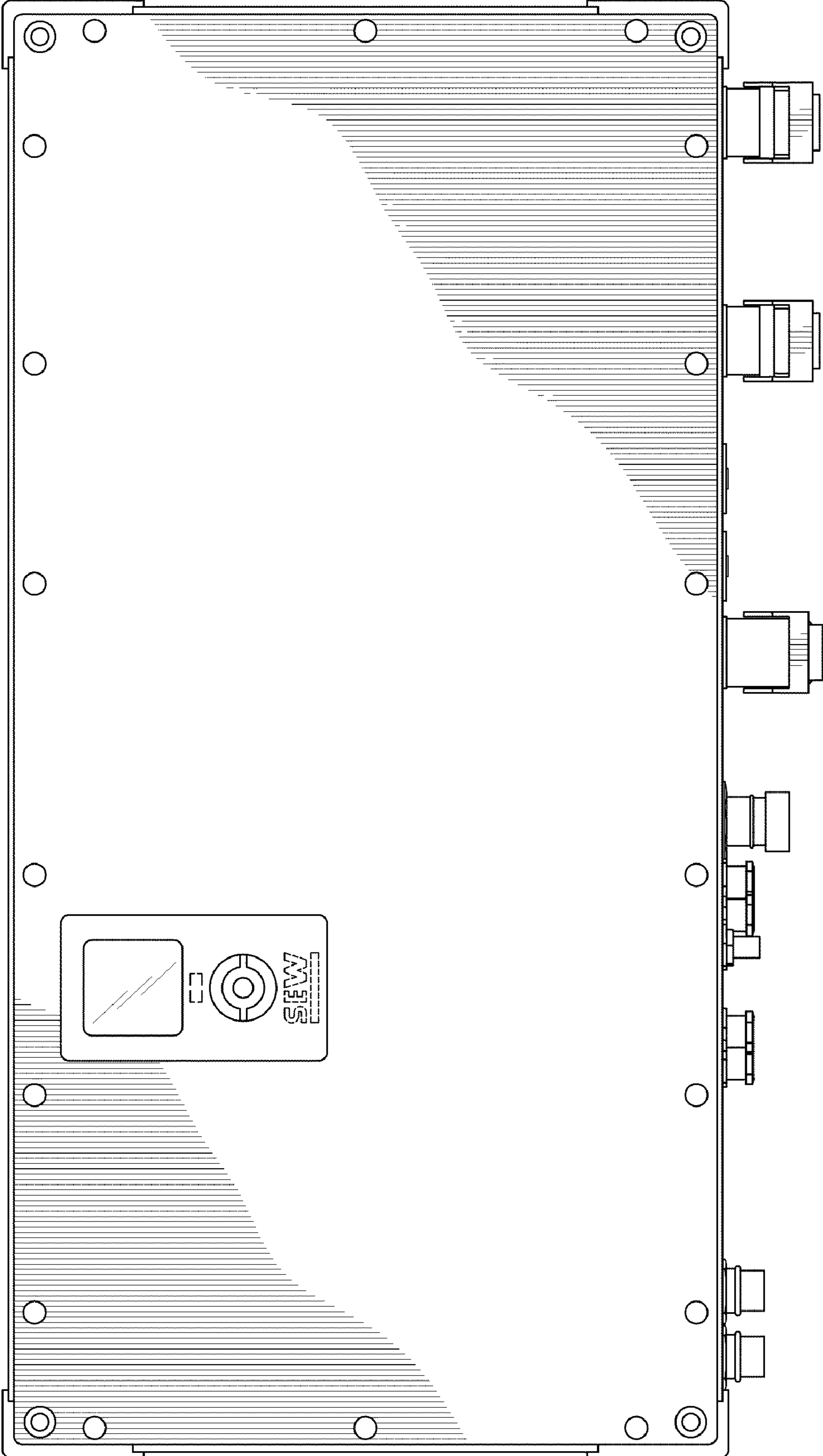


FIG. 6

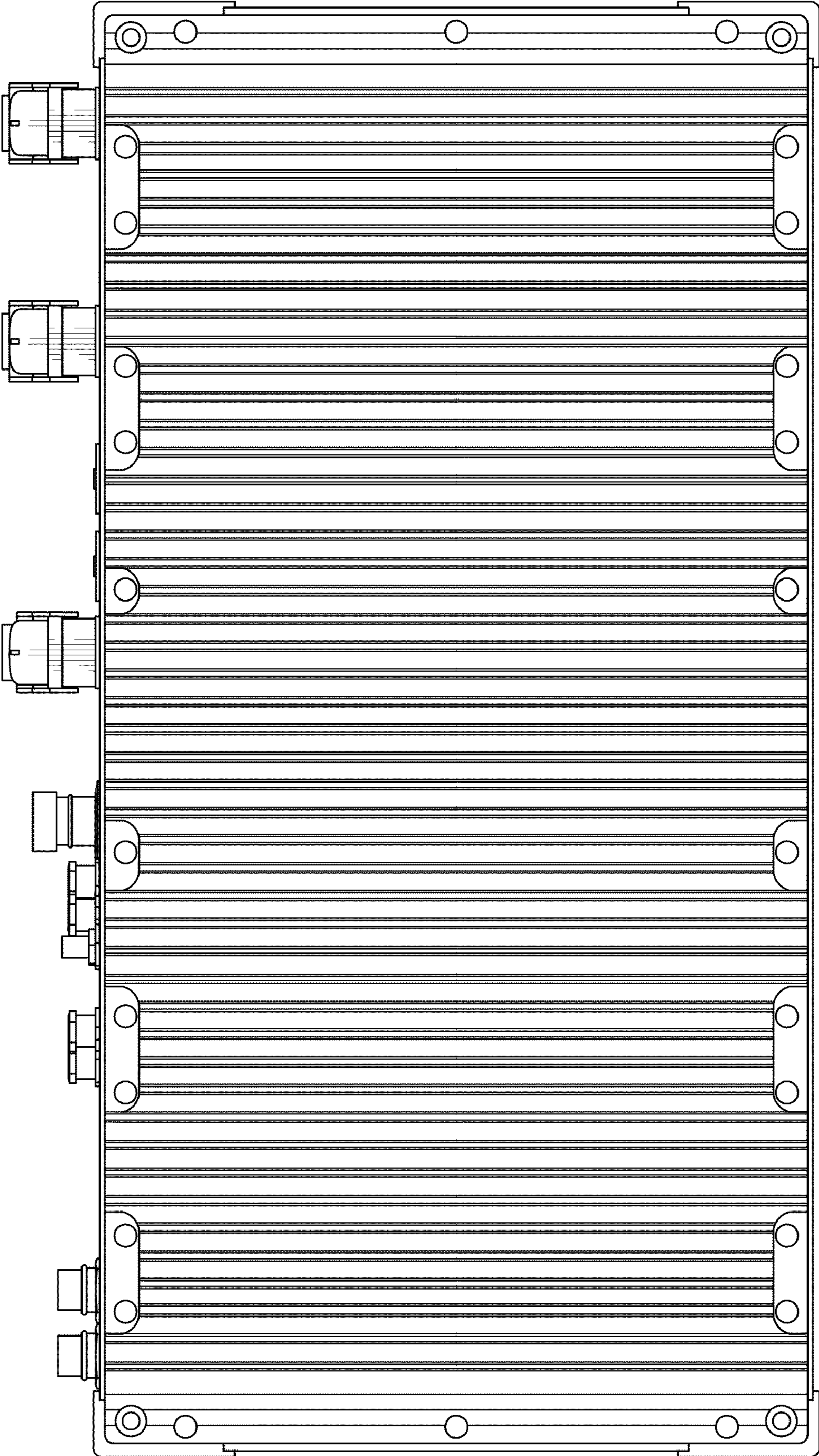


FIG. 7