



US00D616375S

(12) **United States Design Patent**
Huang

(10) **Patent No.:** **US D616,375 S**

(45) **Date of Patent:** **** May 25, 2010**

(54) **SWITCH CONTACT**

(75) Inventor: **Sheng-Yuan Huang**, Taipei (TW)

(73) Assignee: **Cheng Uei Precision Industry Co., Ltd.**, Taipei (TW)

(**) Term: **14 Years**

(21) Appl. No.: **29/346,410**

(22) Filed: **Oct. 30, 2009**

(51) **LOC (9) Cl.** **13-03**

(52) **U.S. Cl.** **D13/154**

(58) **Field of Classification Search** D13/147,
D13/154, 184; 439/73, 79, 83, 181, 395,
439/495, 607-610, 633, 637, 660, 839, 862,
439/849-850, 877, 884-885, 887-891
See application file for complete search history.

(56) **References Cited**

U.S. PATENT DOCUMENTS

D568,249 S * 5/2008 Wu et al. D13/133
D601,972 S * 10/2009 Yu D13/154

D601,973 S * 10/2009 Peng et al. D13/154
D607,834 S * 1/2010 Huang D13/154
D607,835 S * 1/2010 Huang D13/154

* cited by examiner

Primary Examiner—Daniel D Bui

(74) *Attorney, Agent, or Firm*—WPAT, P.C.; Anthony King

(57) **CLAIM**

The ornamental design for a switch contact, as shown and described.

DESCRIPTION

FIG. 1 is a perspective view of a switch contact showing my new design;

FIG. 2 is a front elevational view thereof;

FIG. 3 is a rear elevational view thereof;

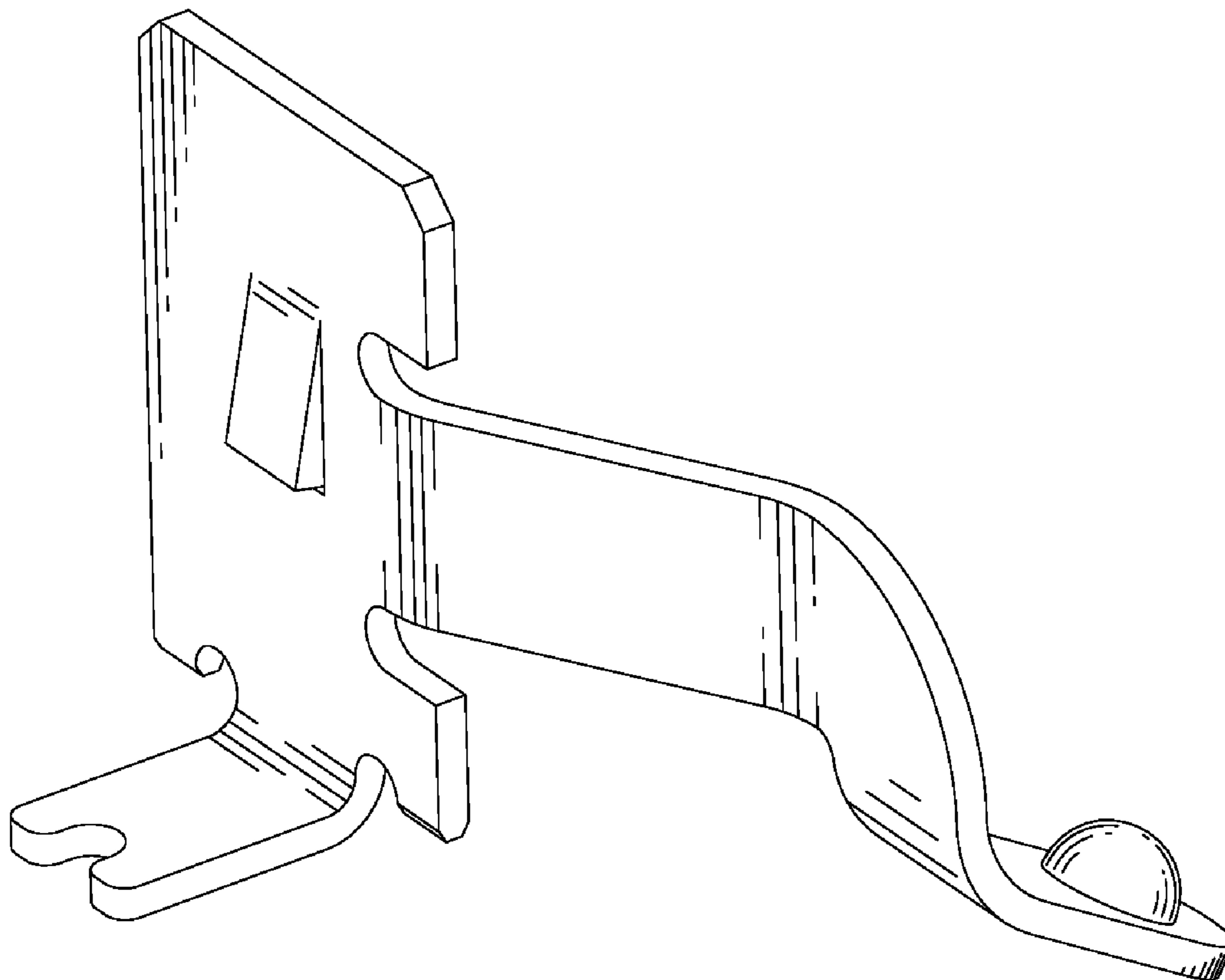
FIG. 4 is a left side elevational view thereof;

FIG. 5 is a right side elevational view thereof;

FIG. 6 is a top plan view thereof; and,

FIG. 7 is a bottom plan view thereof.

1 Claim, 7 Drawing Sheets



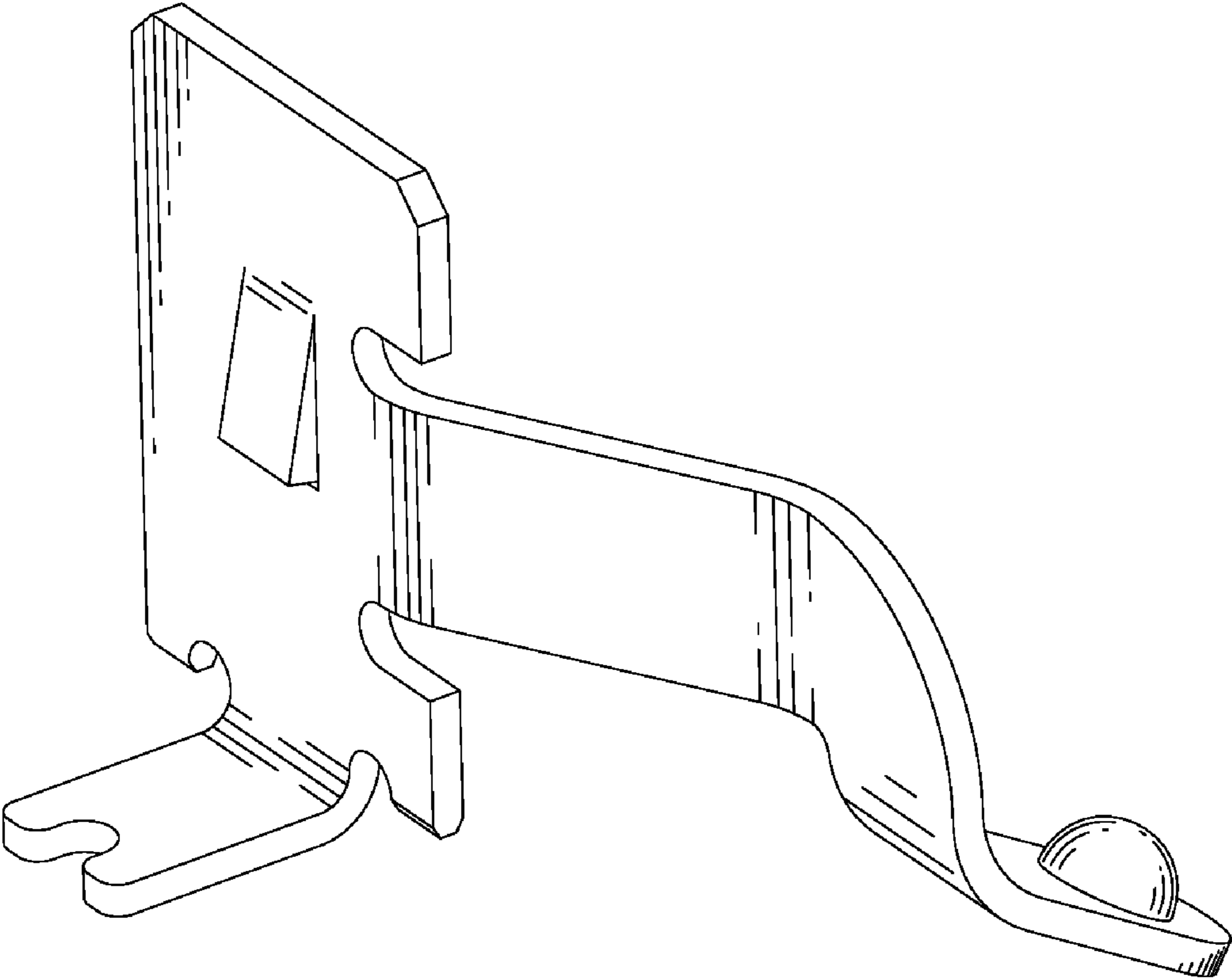


FIG. 1

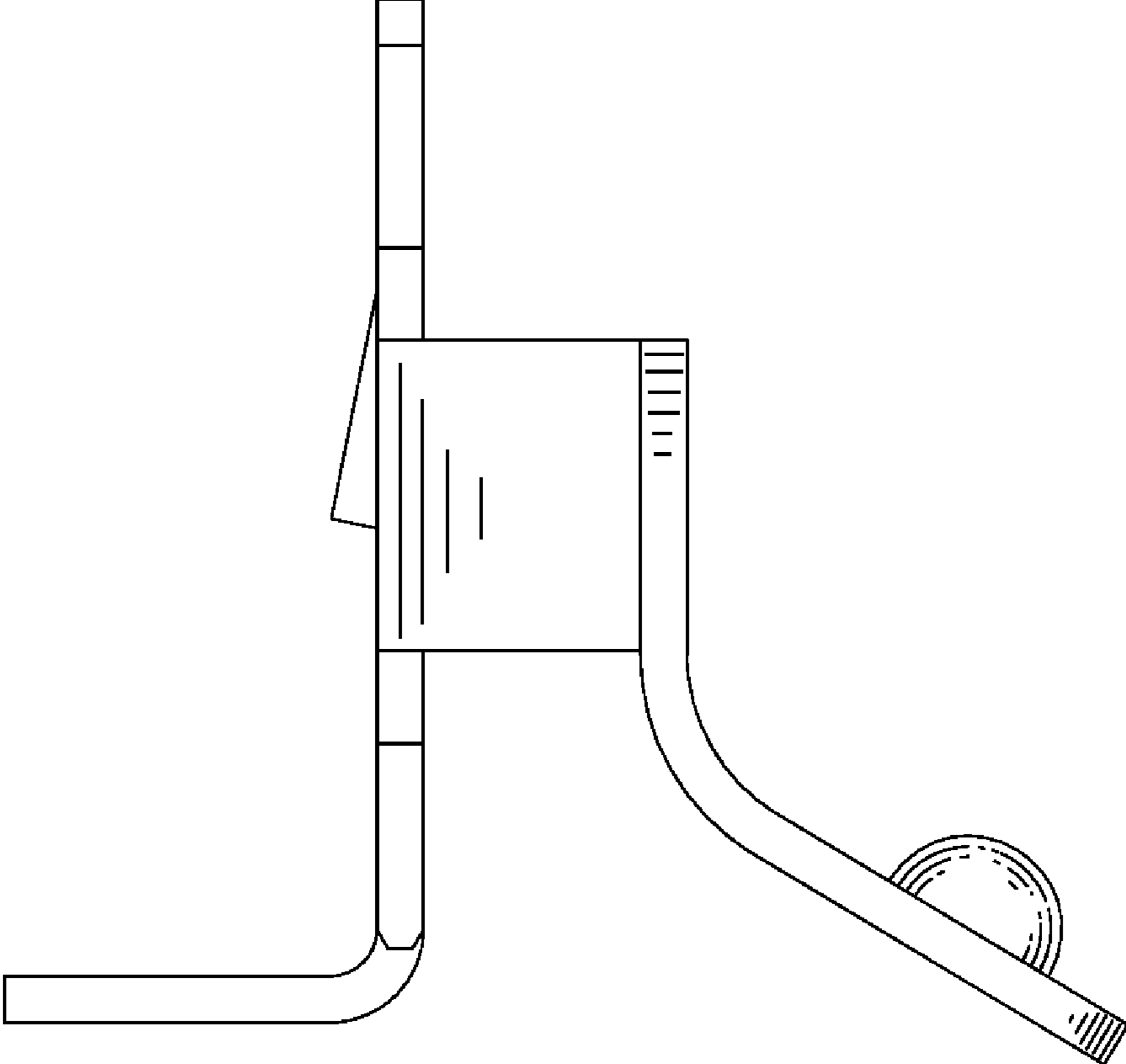


FIG. 2

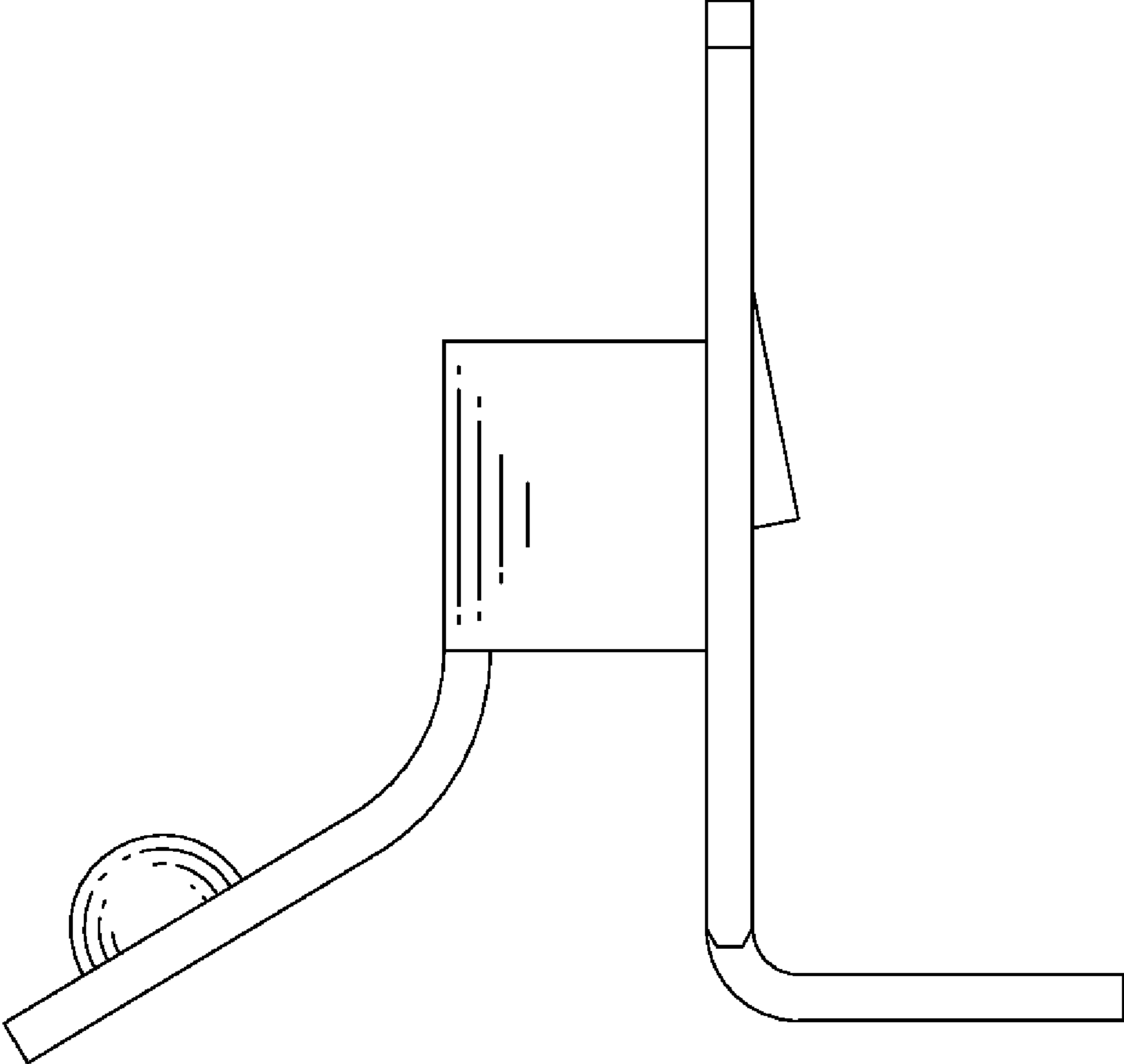


FIG. 3

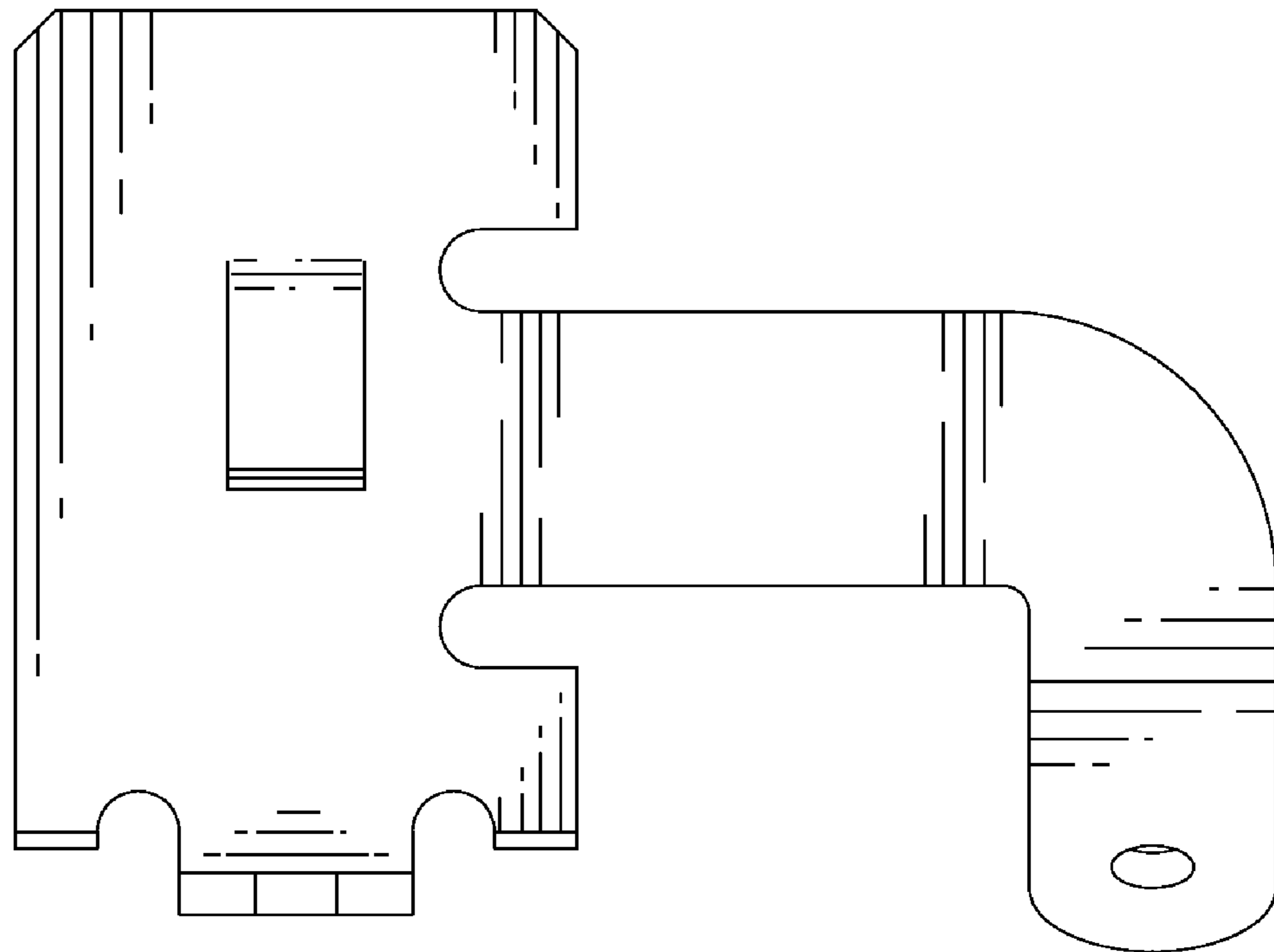


FIG. 4

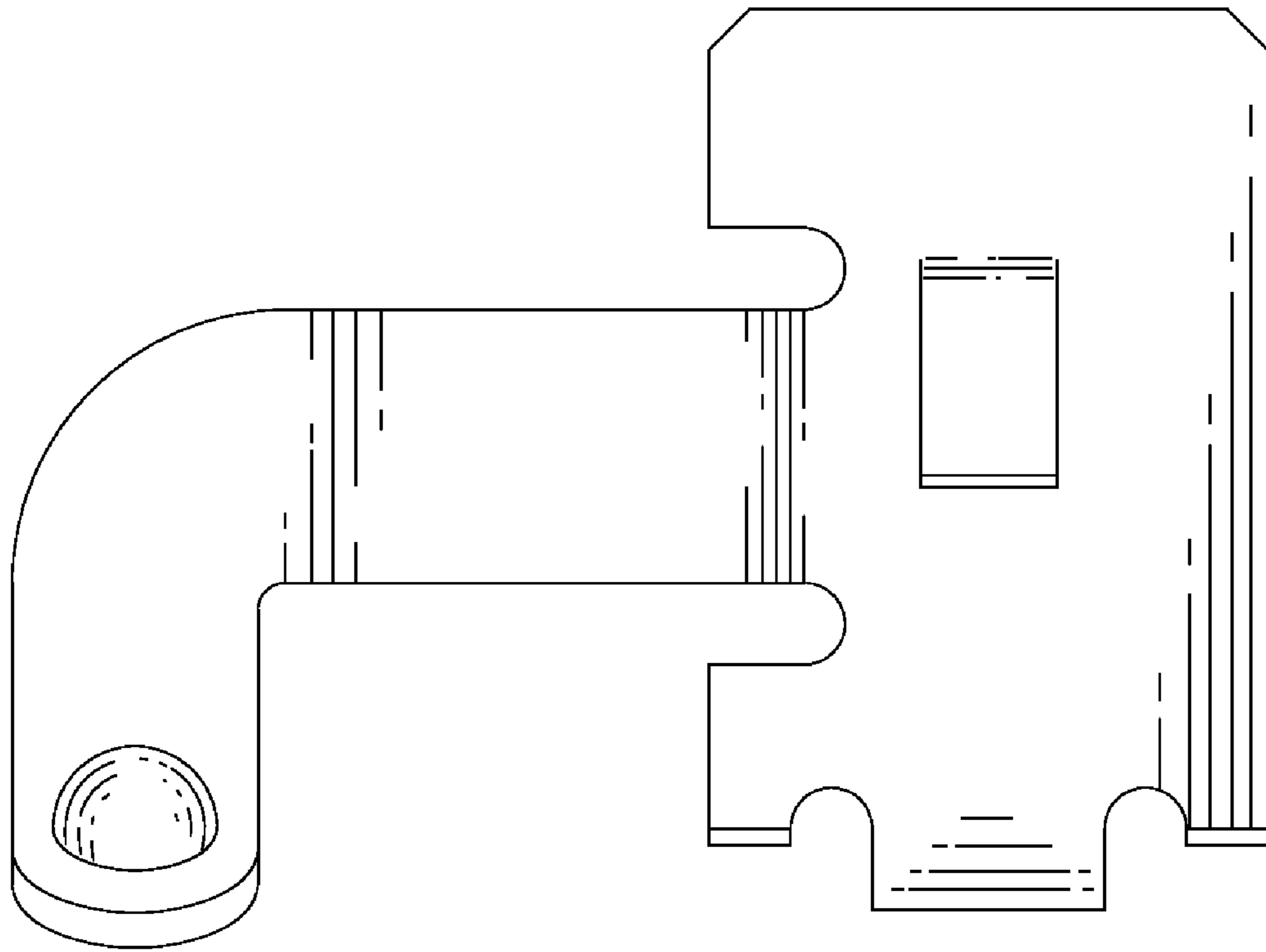


FIG. 5

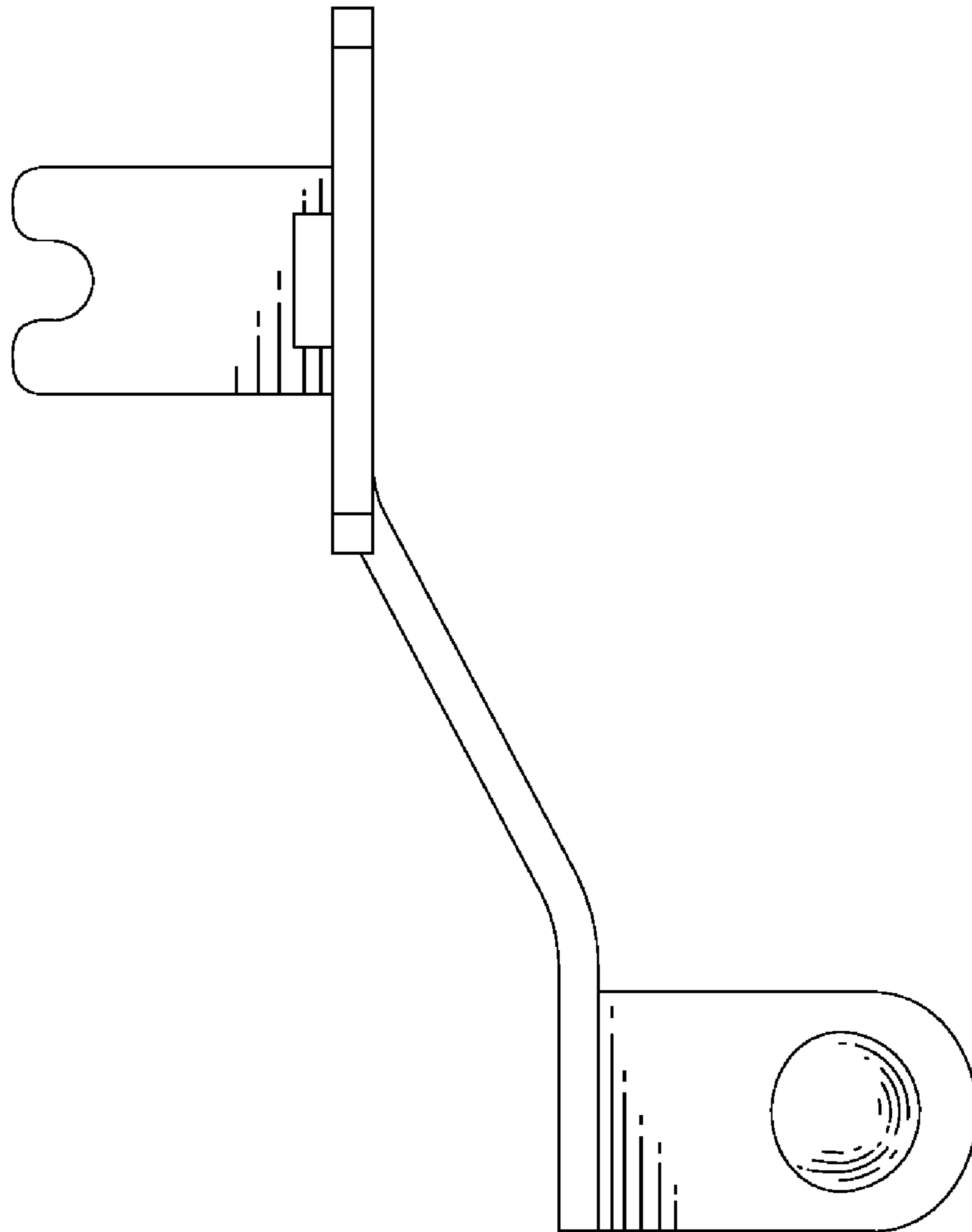


FIG. 6

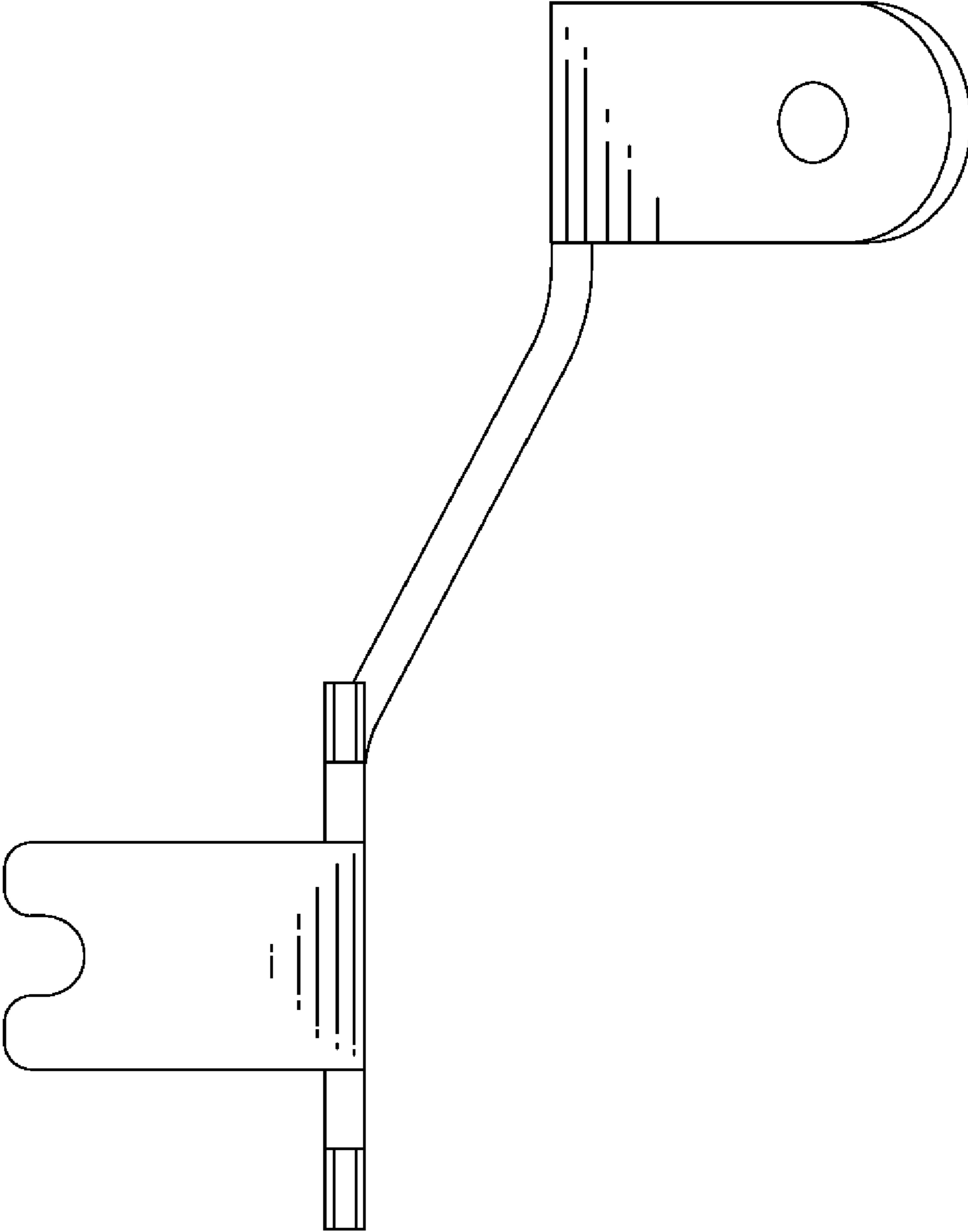


FIG. 7