



US00D616371S

(12) **United States Design Patent**
Ma et al.

(10) **Patent No.:** **US D616,371 S**
(45) **Date of Patent:** **** May 25, 2010**

(54) **CONNECTOR**

D599,294 S * 9/2009 Yang et al. D13/147

(75) Inventors: **Yuan-Yuan Ma**, Tu-Cheng (TW);
Kai-Hsiang Chang, Tu-Cheng (TW);
Kuo-Chin Lin, Tu-Cheng (TW)

* cited by examiner

Primary Examiner—Daniel D Bui
(74) *Attorney, Agent, or Firm*—Cheng-Ju Chiang

(73) Assignee: **Cheng UEI Precision Industry Co., Ltd.**, Tu-Cheng, Taipei Hsien (TW)

(57) **CLAIM**

(**) Term: **14 Years**

The ornamental design for a connector, as shown and described.

(21) Appl. No.: **29/344,786**

DESCRIPTION

(22) Filed: **Oct. 5, 2009**

FIG. 1 is a perspective view of a connector showing our new design;

(51) **LOC (9) Cl.** **13-03**

(52) **U.S. Cl.** **D13/147**

(58) **Field of Classification Search** D13/147,
D13/154, 184; 439/108, 476.1, 483, 527,
439/533, 607–610, 892, 894

FIG. 2 is a front elevational view thereof;

FIG. 3 is a rear elevational view thereof;

FIG. 4 is a left side elevational view thereof;

FIG. 5 is a right side elevational view thereof;

FIG. 6 is a top plan view thereof;

FIG. 7 is a bottom plan view thereof; and,

FIG. 8 is another perspective view of a connector showing our new design.

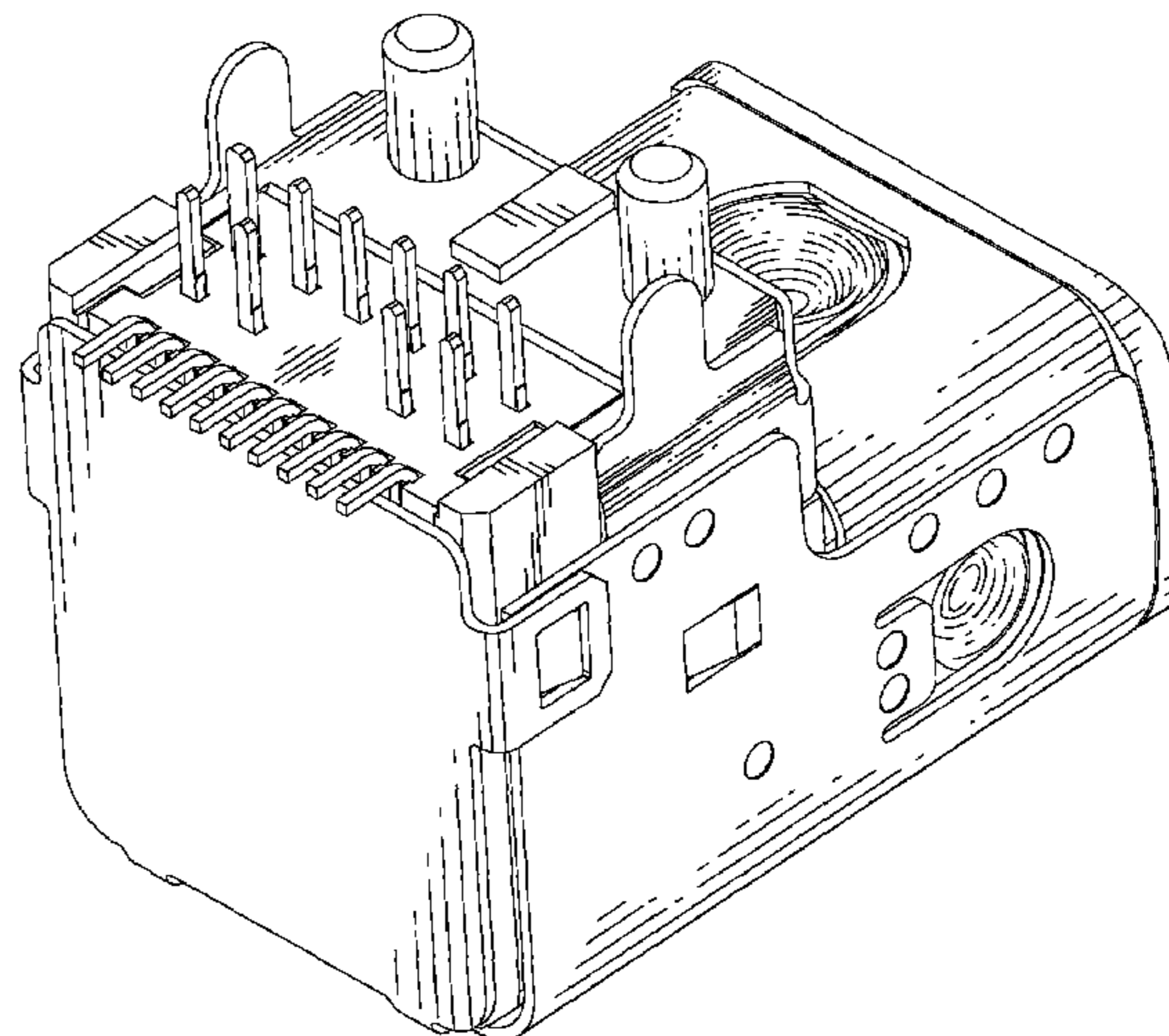
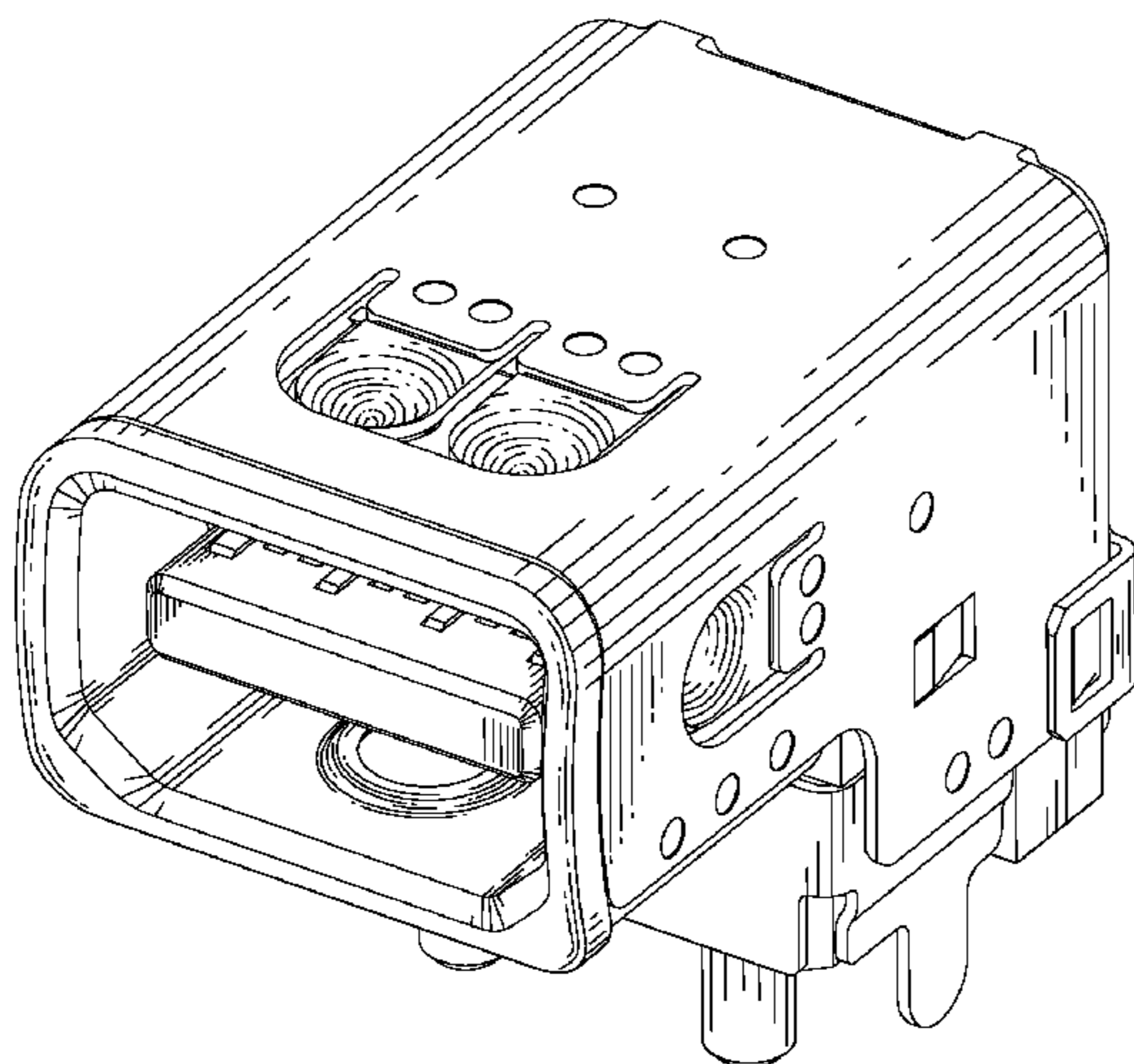
See application file for complete search history.

(56) **References Cited**

U.S. PATENT DOCUMENTS

- D462,326 S * 9/2002 Okamoto D13/147
- D523,400 S * 6/2006 Shang-Yen et al. D13/147
- D598,390 S * 8/2009 Sun et al. D13/147

1 Claim, 8 Drawing Sheets



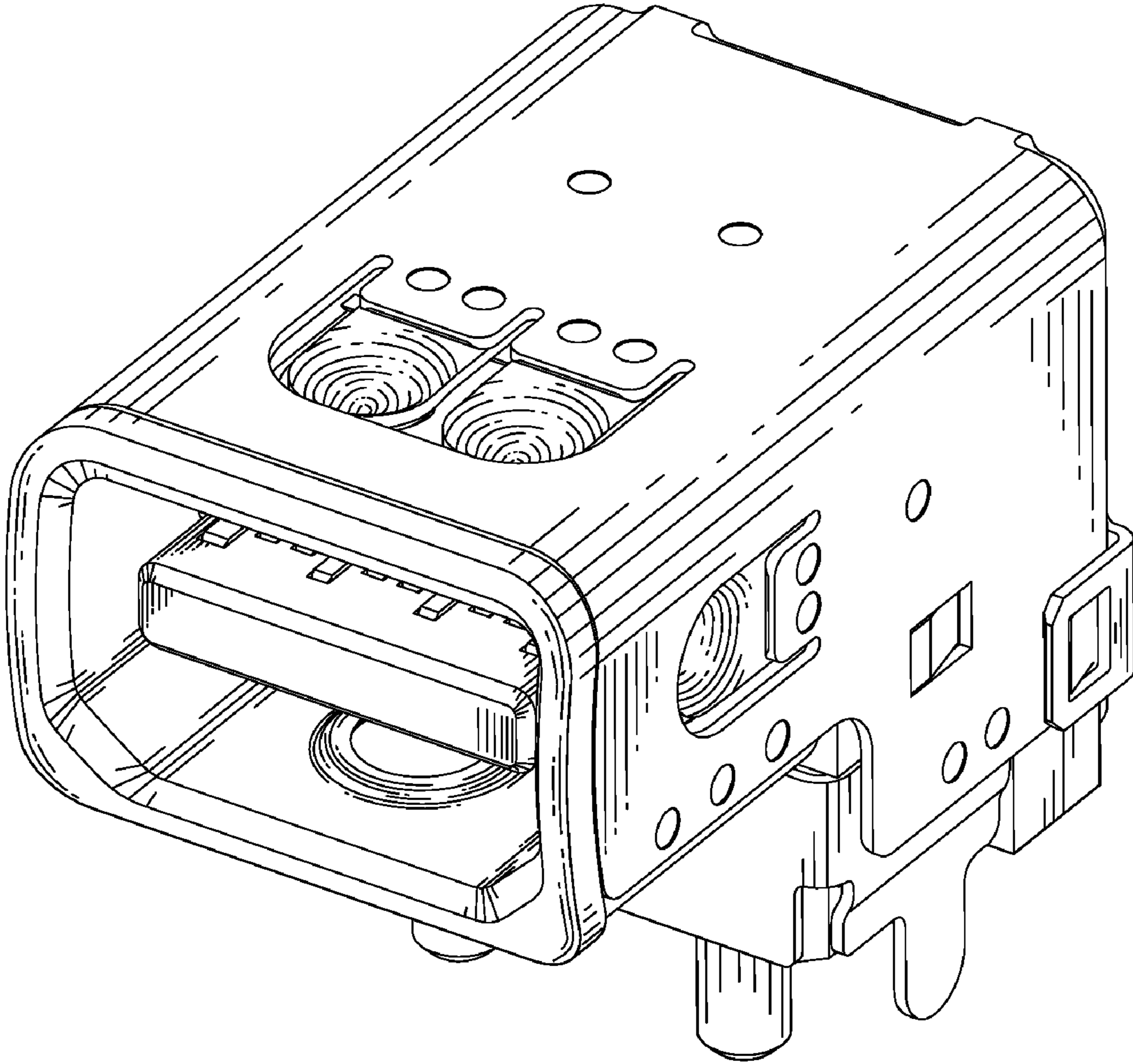


FIG. 1

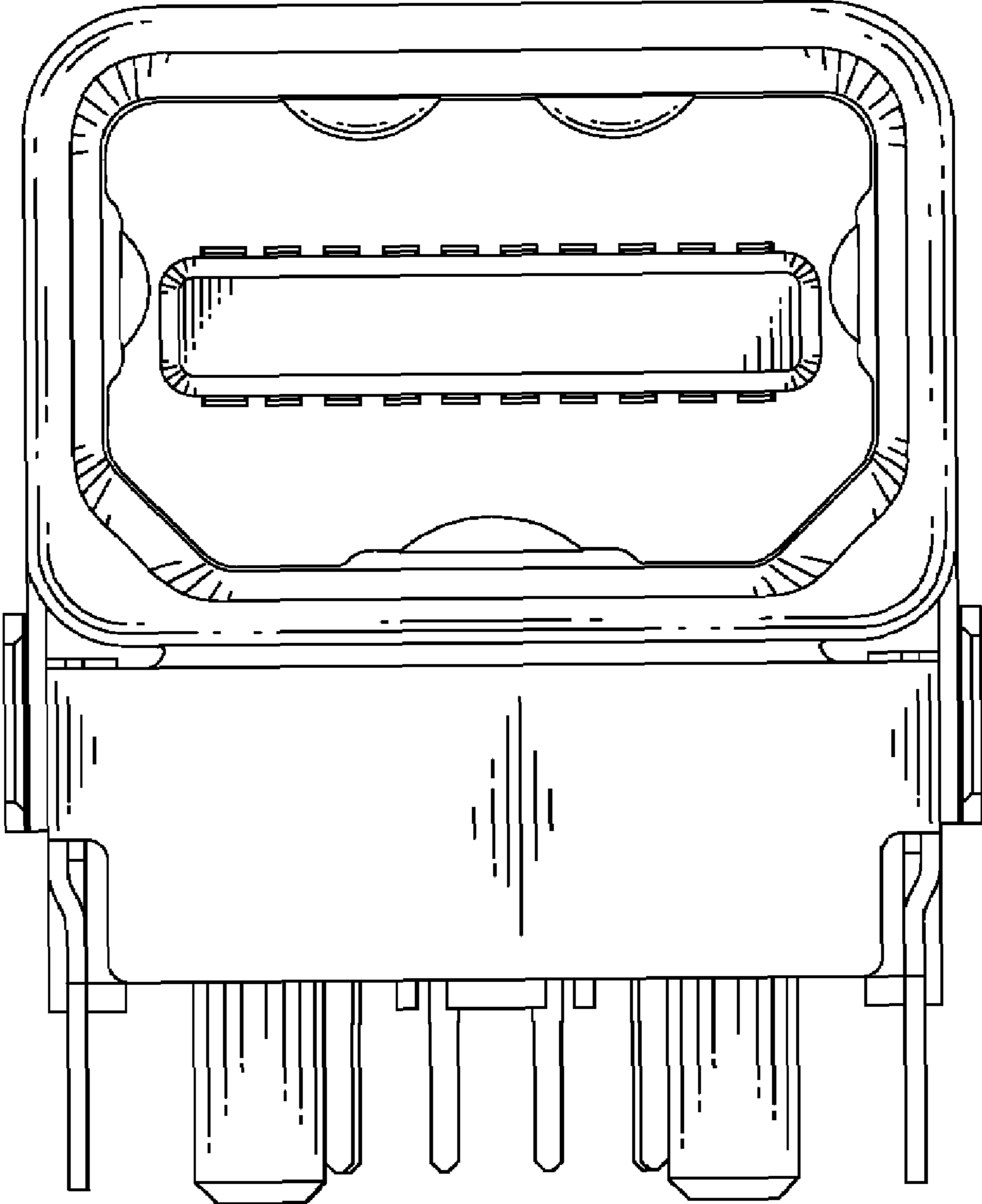


FIG. 2

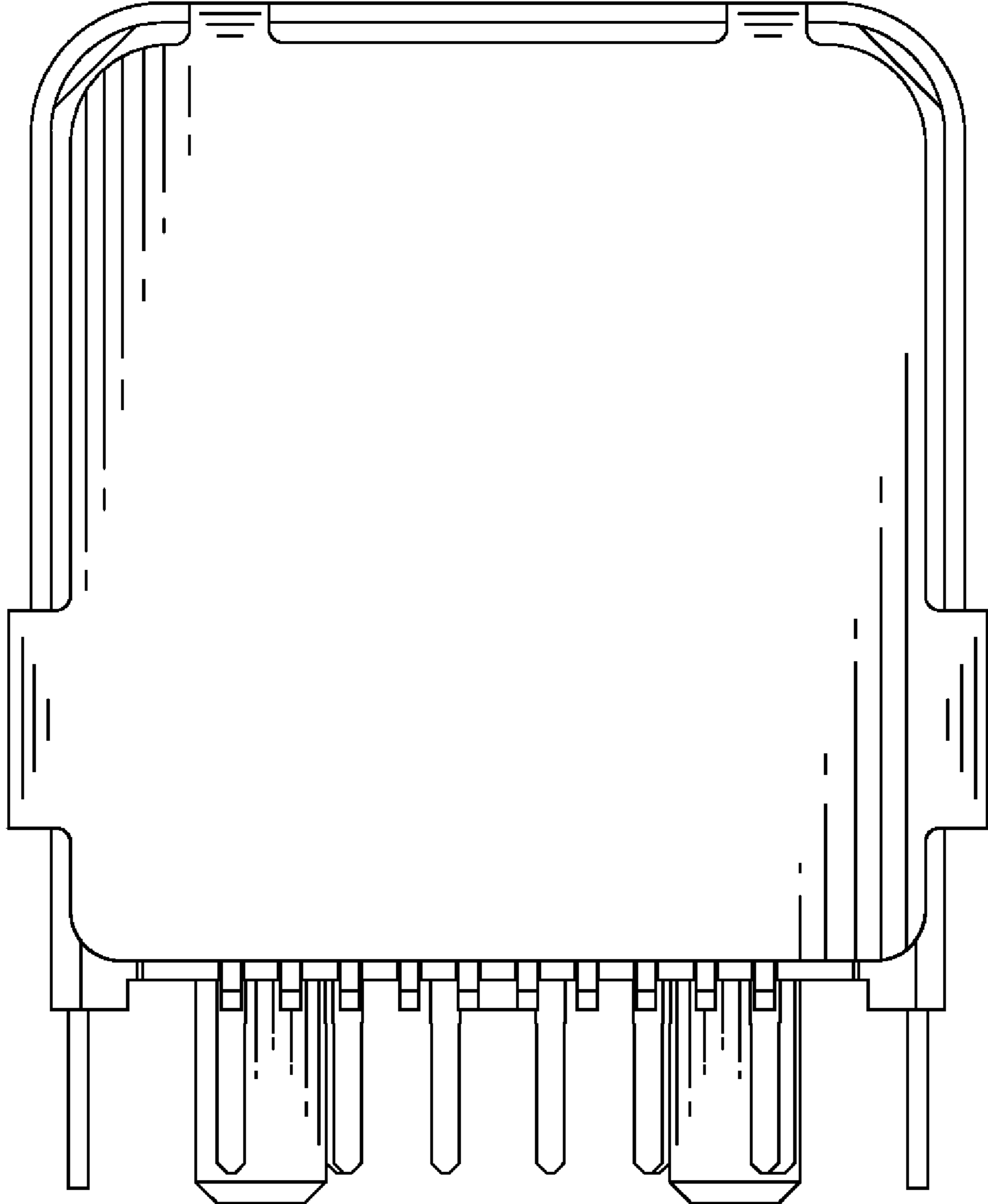


FIG. 3

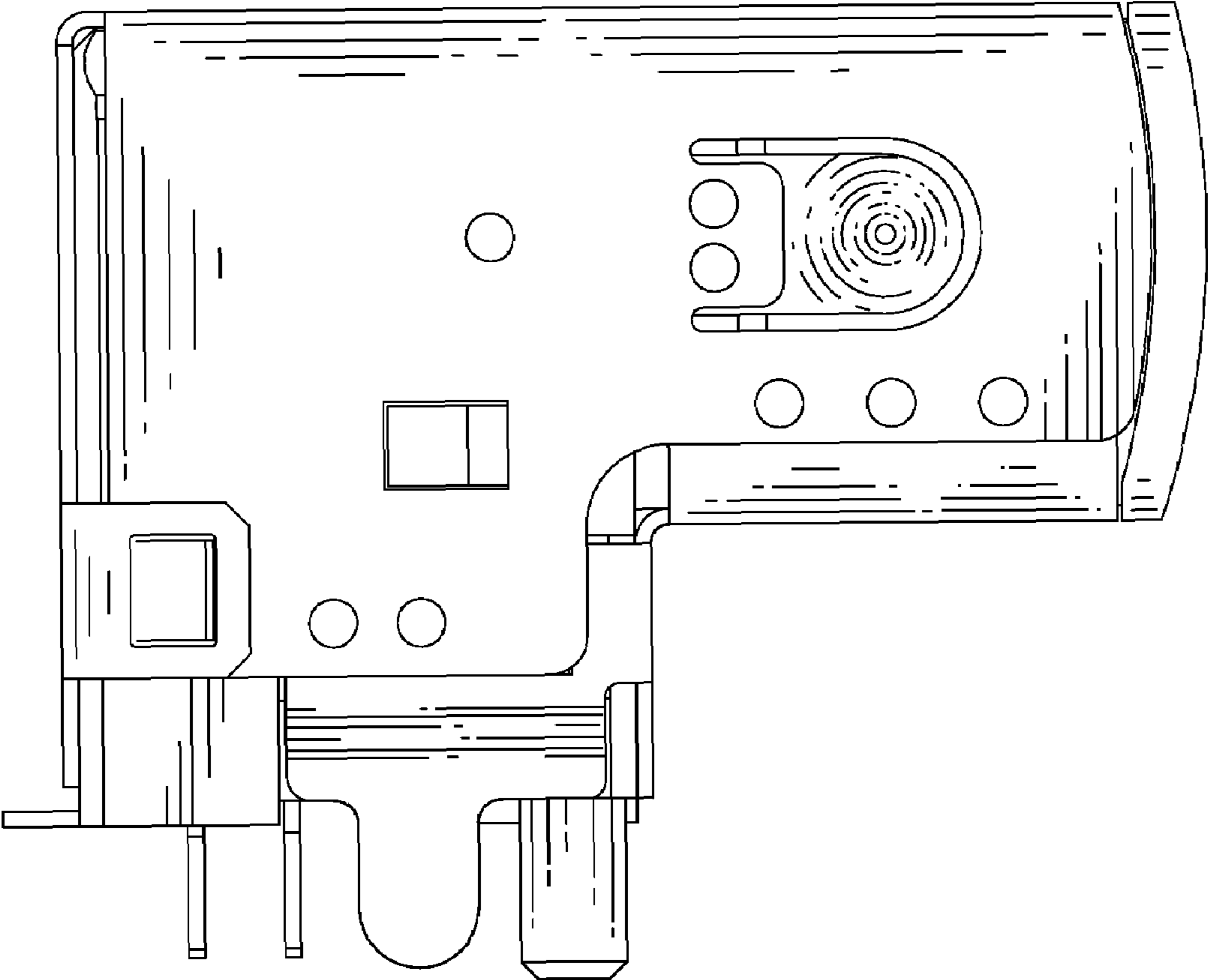


FIG. 4

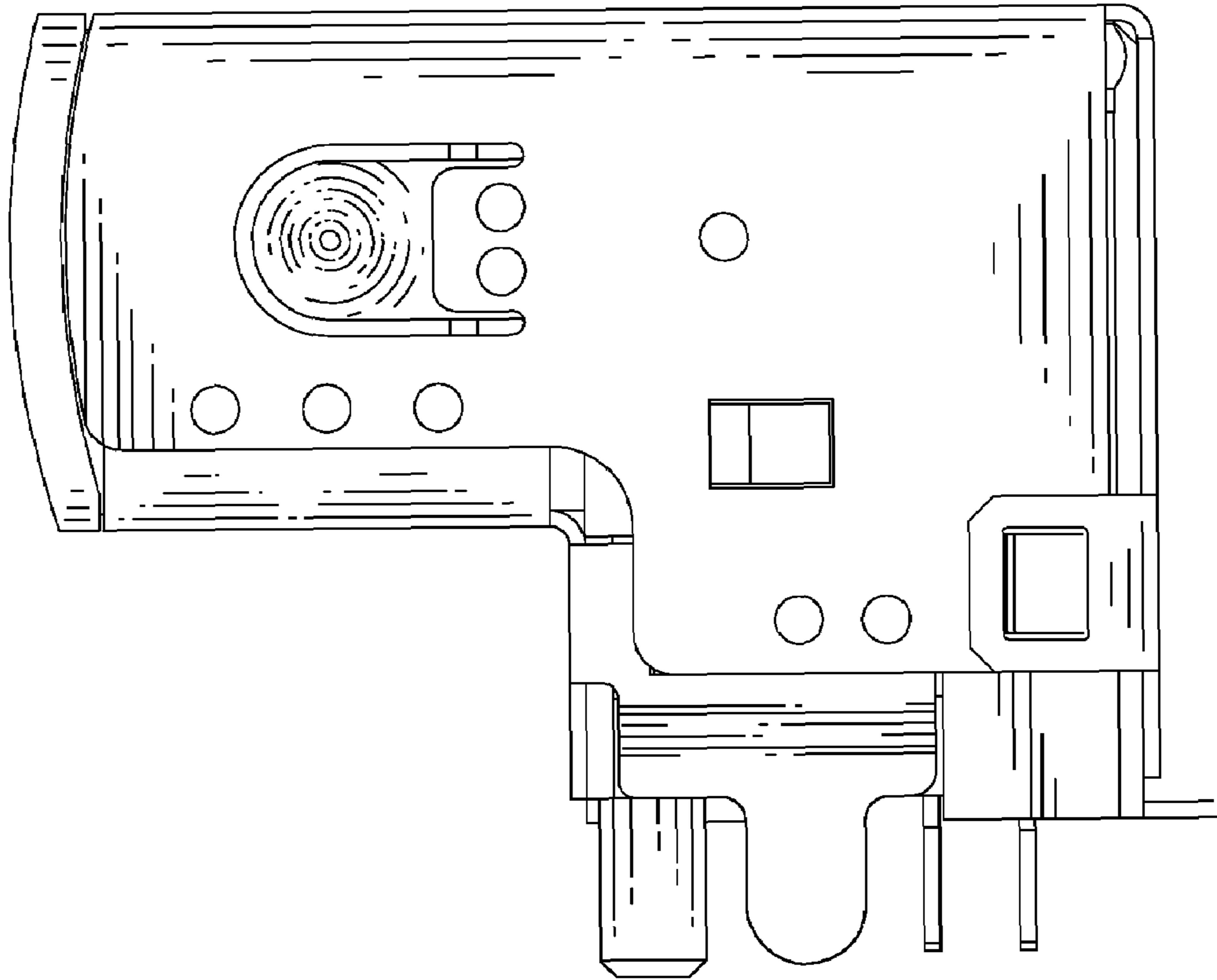


FIG. 5

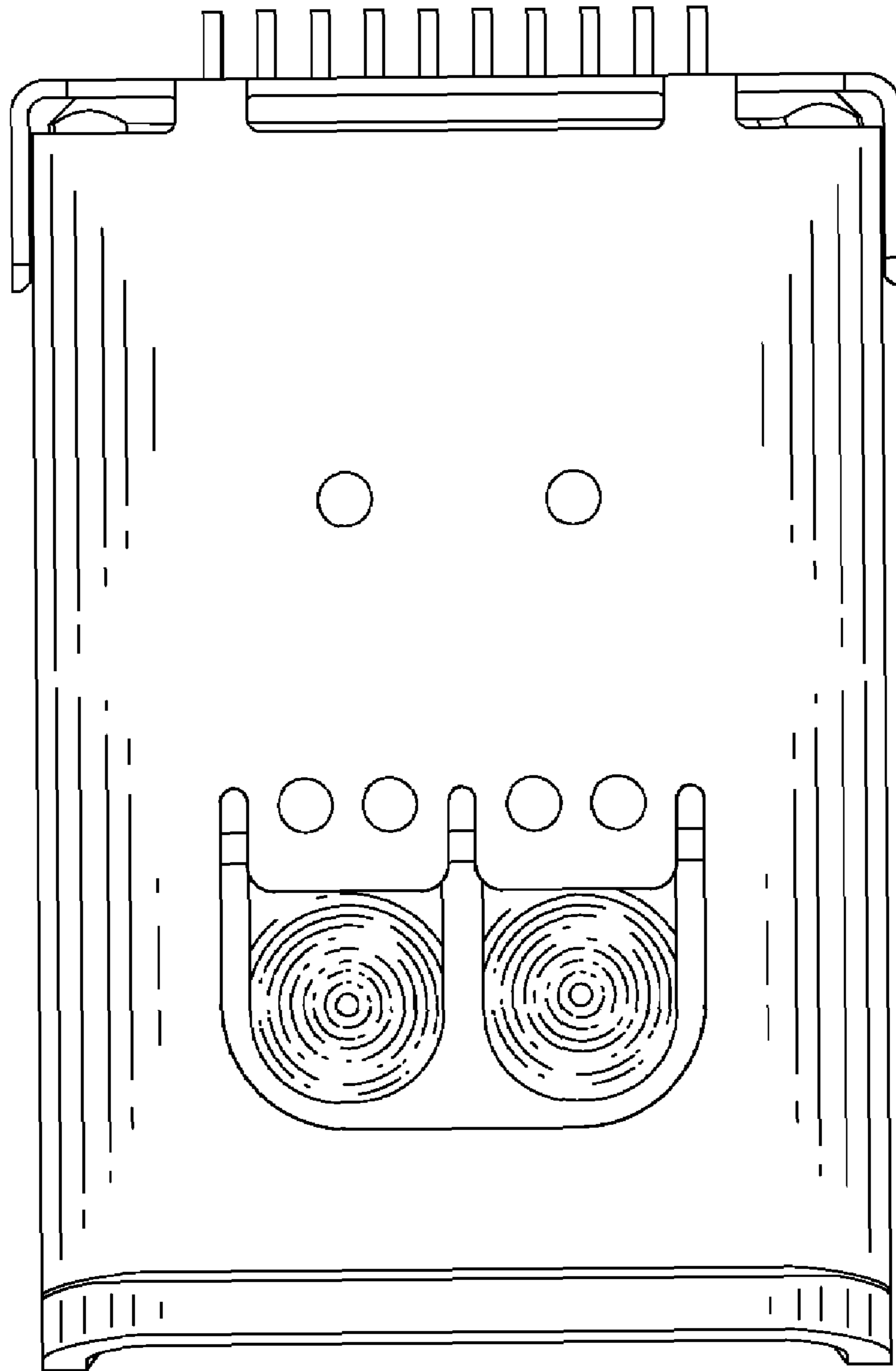


FIG. 6

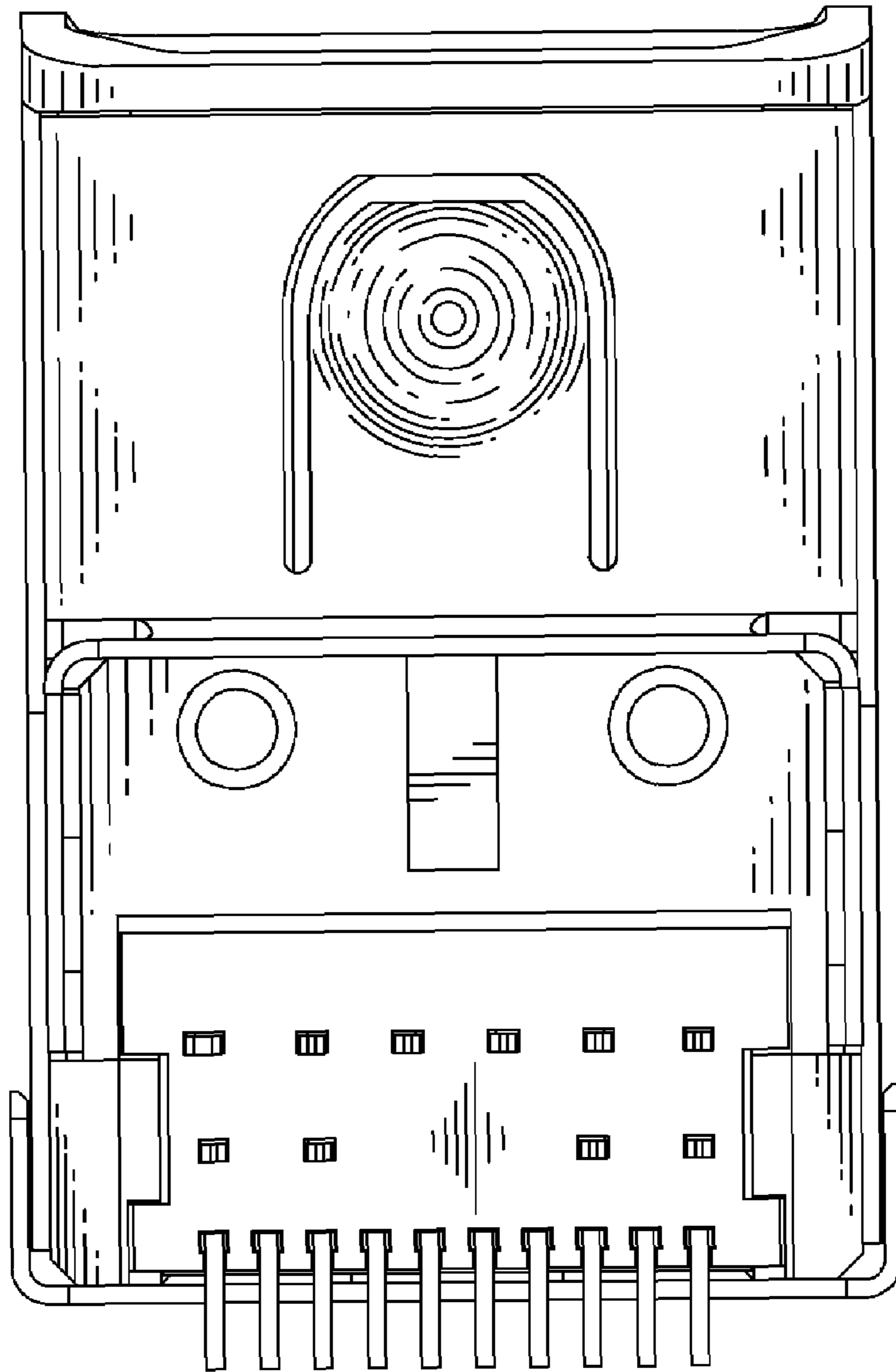


FIG. 7

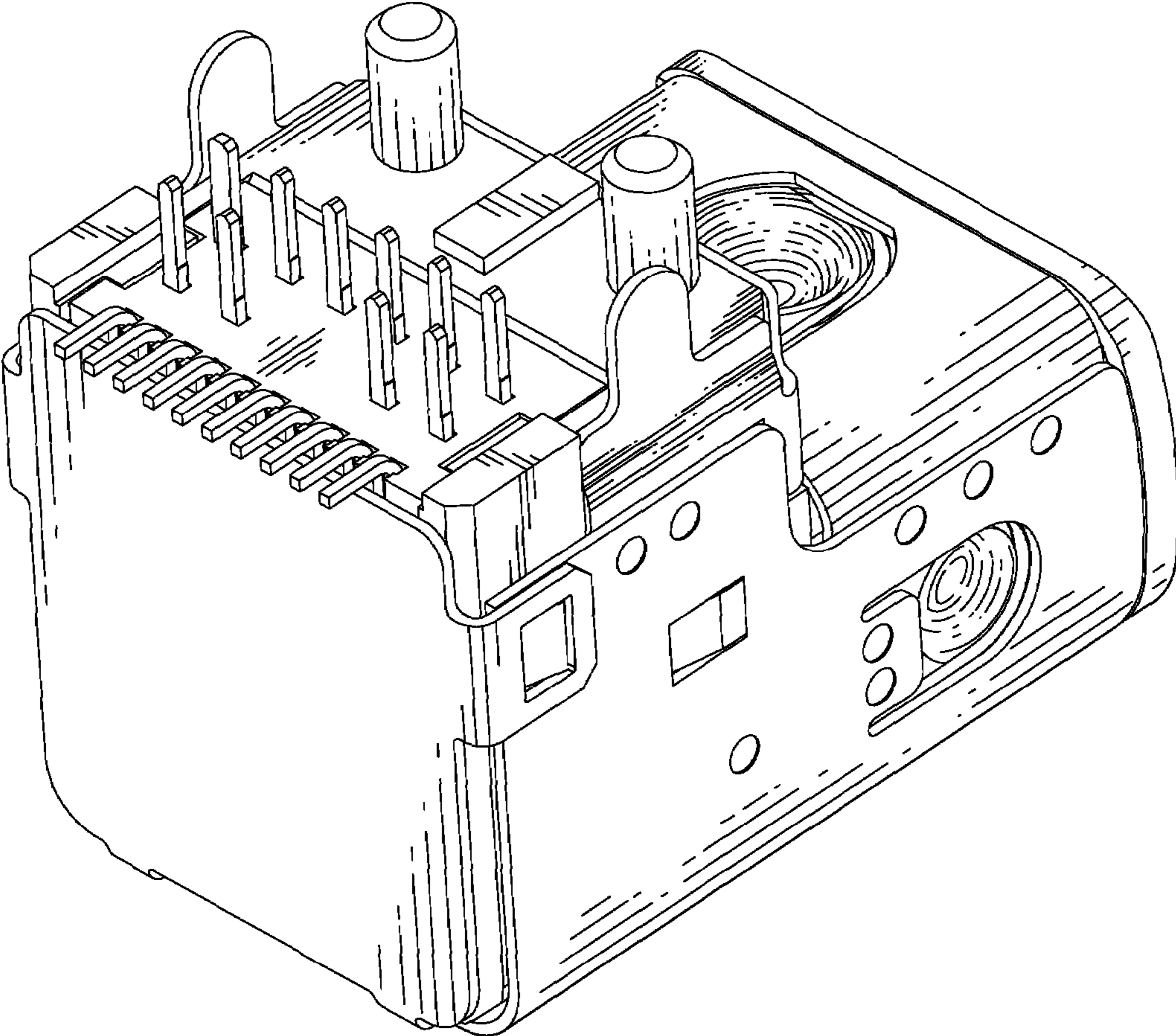


FIG. 8