



US00D616367S

(12) **United States Design Patent**
Foo

(10) **Patent No.:** **US D616,367 S**

(45) **Date of Patent:** **** May 25, 2010**

(54) **LAMP HOLDER**

(75) Inventor: **Onn Fah Foo**, Hong Kong (CN)

(73) Assignee: **Mass Technology (H.K.) Ltd.**, Kowloon (HK)

(**) Term: **14 Years**

(21) Appl. No.: **29/326,760**

(22) Filed: **Oct. 24, 2008**

(51) **LOC (9) Cl.** **13-03**

(52) **U.S. Cl.** **D13/134**

(58) **Field of Classification Search** D13/133-136,
D13/146, 147, 151, 154, 184, 199; D26/24,
D26/113; 313/318.01-318.05, 318.12; 362/260,
362/581; 439/168, 220, 226, 232, 280, 291,
439/336, 375, 378, 379, 419, 602, 626, 639,
439/649

See application file for complete search history.

(56) **References Cited**

U.S. PATENT DOCUMENTS

- D442,142 S * 5/2001 Henrici D13/134
- D452,843 S * 1/2002 Henrici D13/134
- D486,449 S * 2/2004 Lingemann et al. D13/134

D492,934 S * 7/2004 Lingemann et al. D13/134

* cited by examiner

Primary Examiner—Daniel D Bui

Assistant Examiner—Thomas J Johannes

(74) *Attorney, Agent, or Firm*—Rabin & Berdo, P.C.

(57) **CLAIM**

The ornamental design for a lamp holder, as shown and described.

DESCRIPTION

FIG. 1 is a perspective view of a lamp holder showing my new design;

FIG. 2 is a front view thereof;

FIG. 3 is a rear view thereof;

FIG. 4 is a left side view thereof;

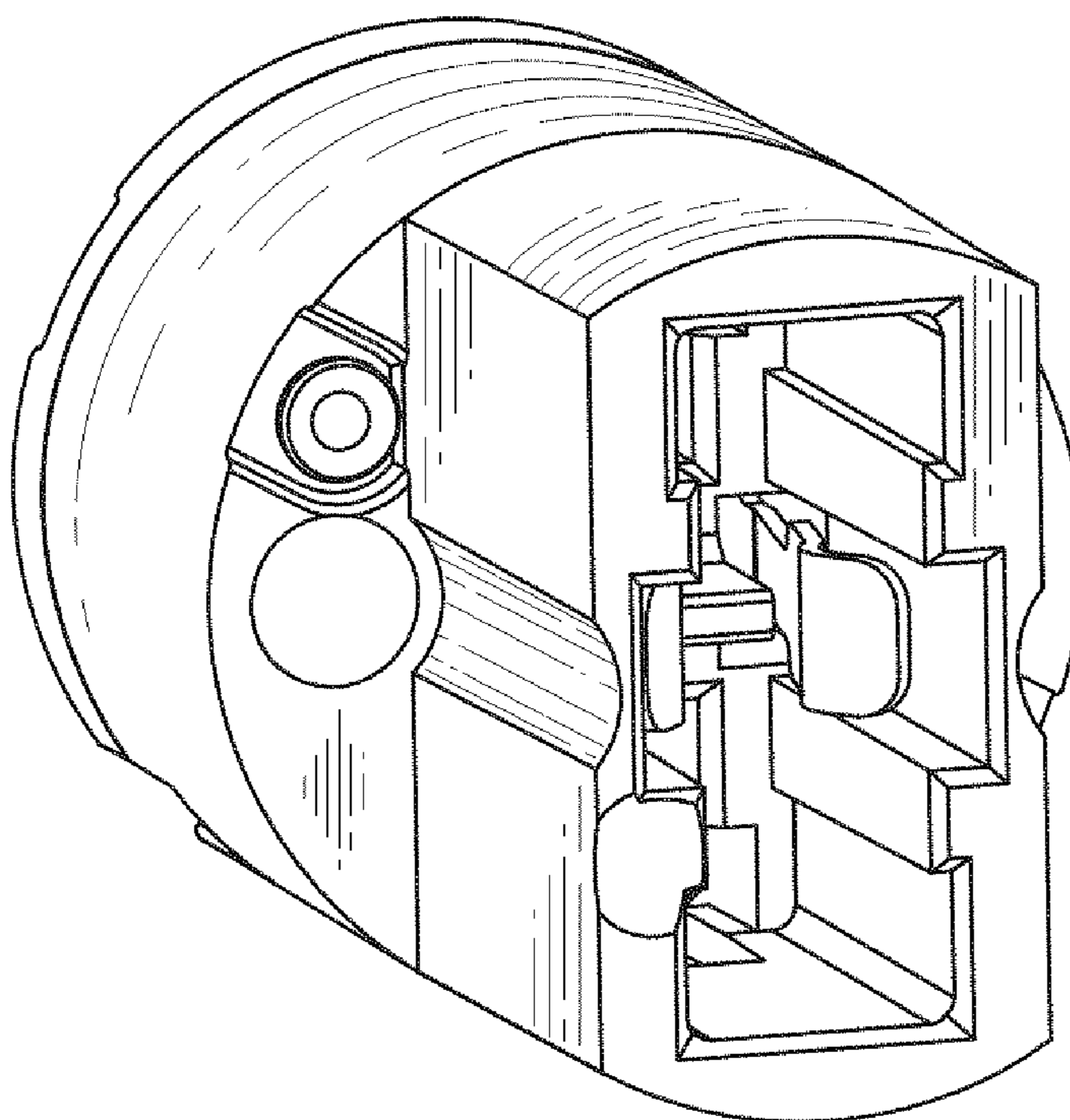
FIG. 5 is a right side view thereof;

FIG. 6 is a top view thereof; and,

FIG. 7 is a bottom view thereof.

The broken line portions of FIGS. 6 and 7 are included to show unclaimed subject matter only and form no part of the claimed design.

1 Claim, 4 Drawing Sheets



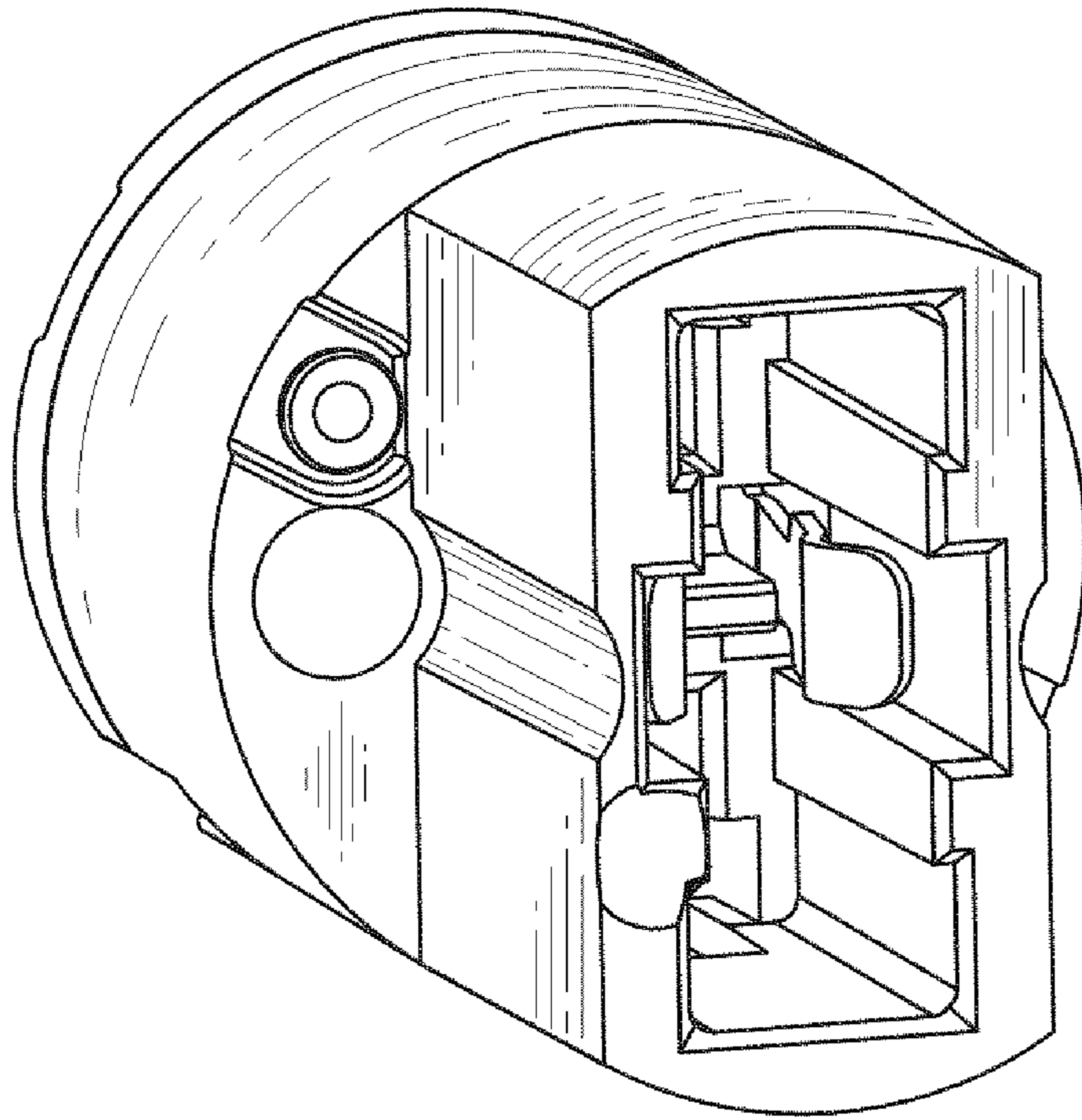


Fig. 1

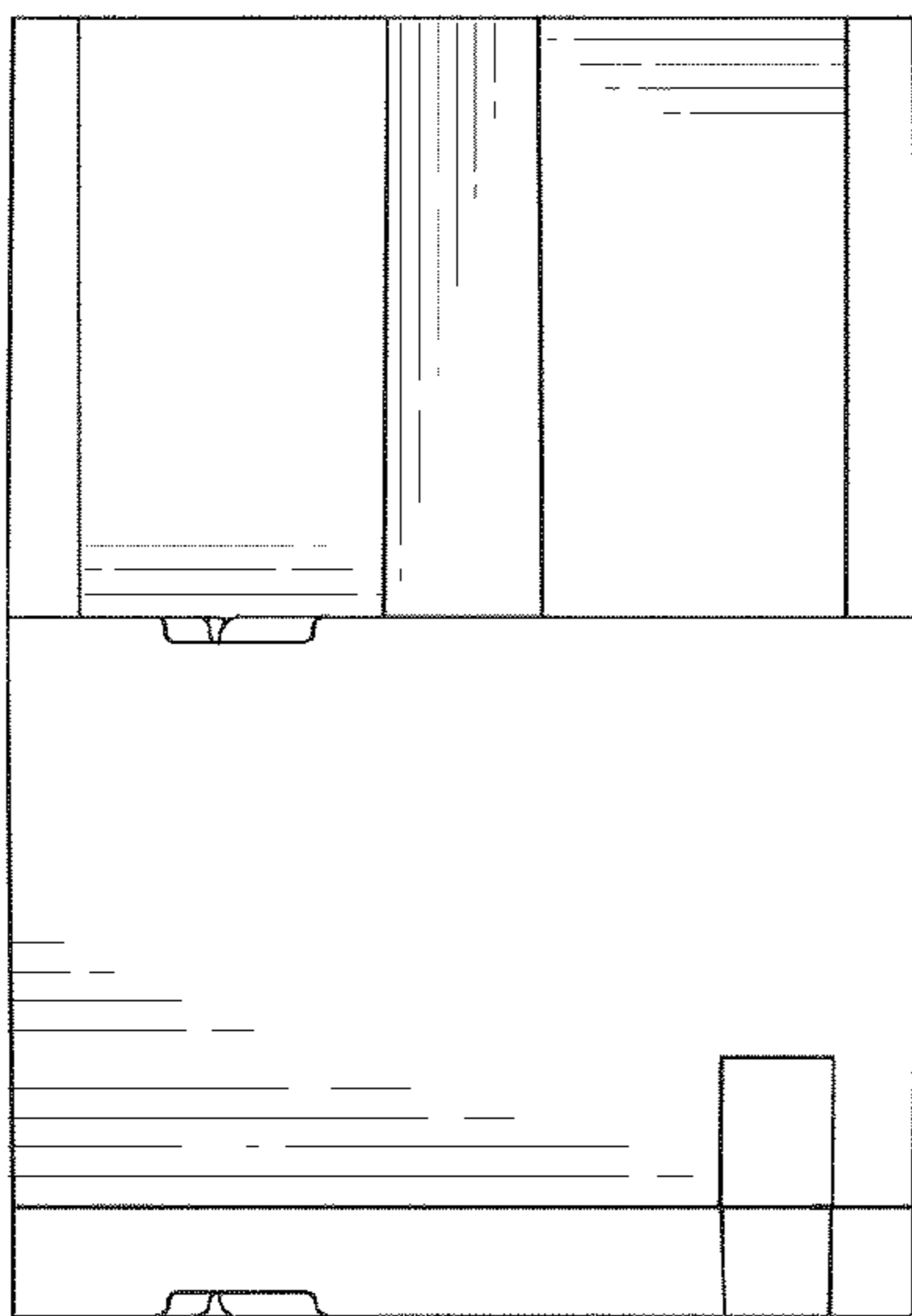


Fig. 2

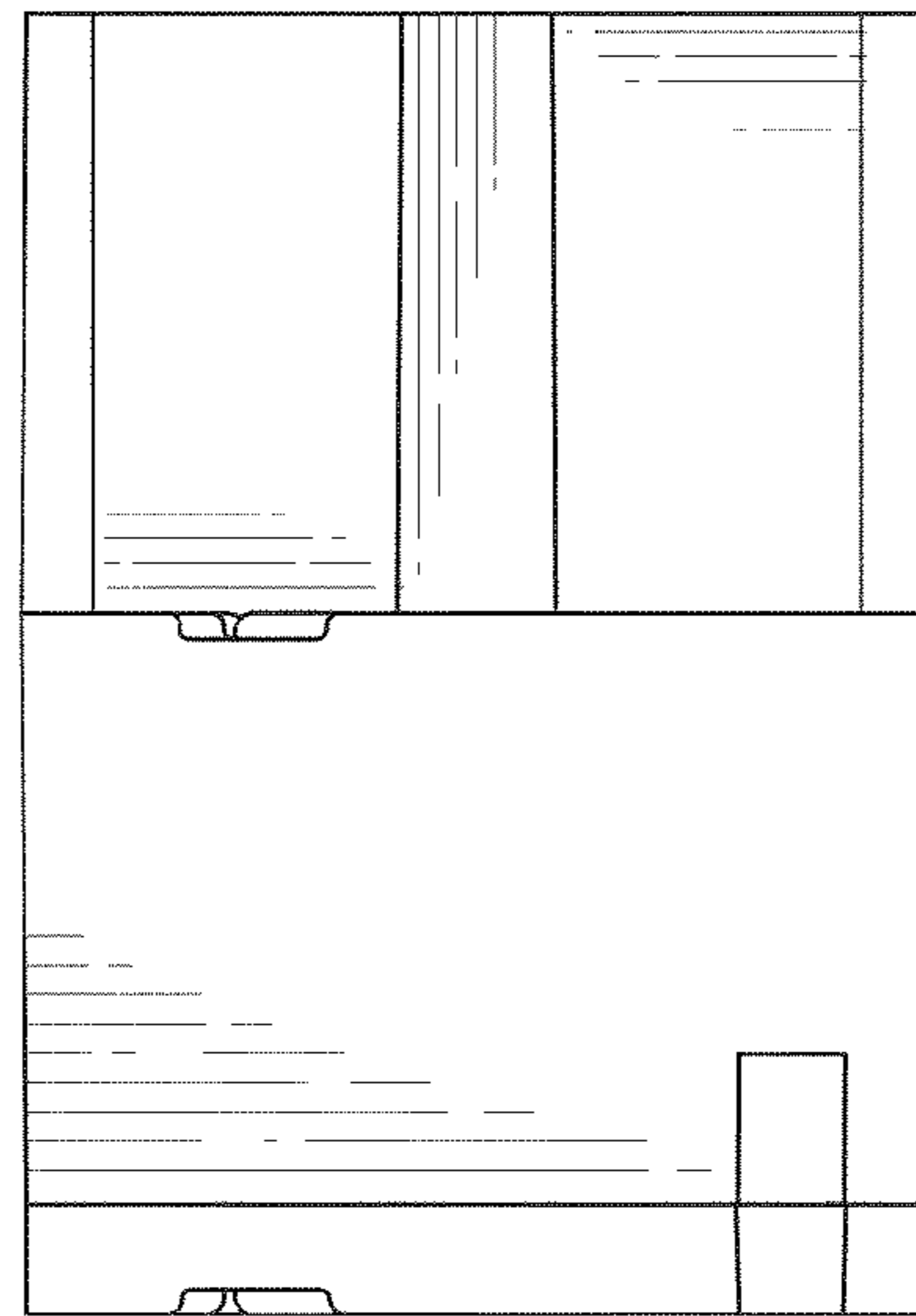


Fig. 3

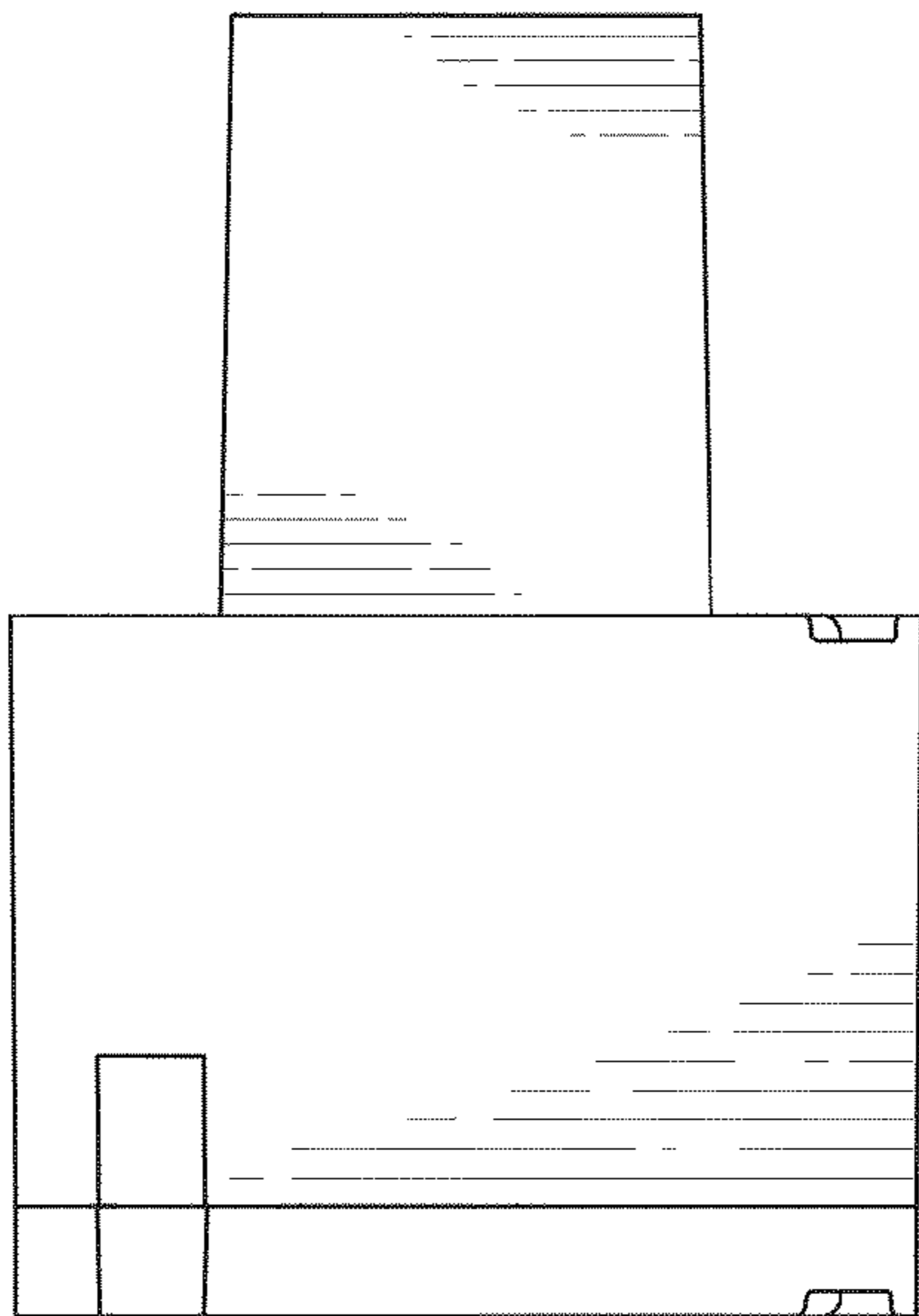


Fig. 4

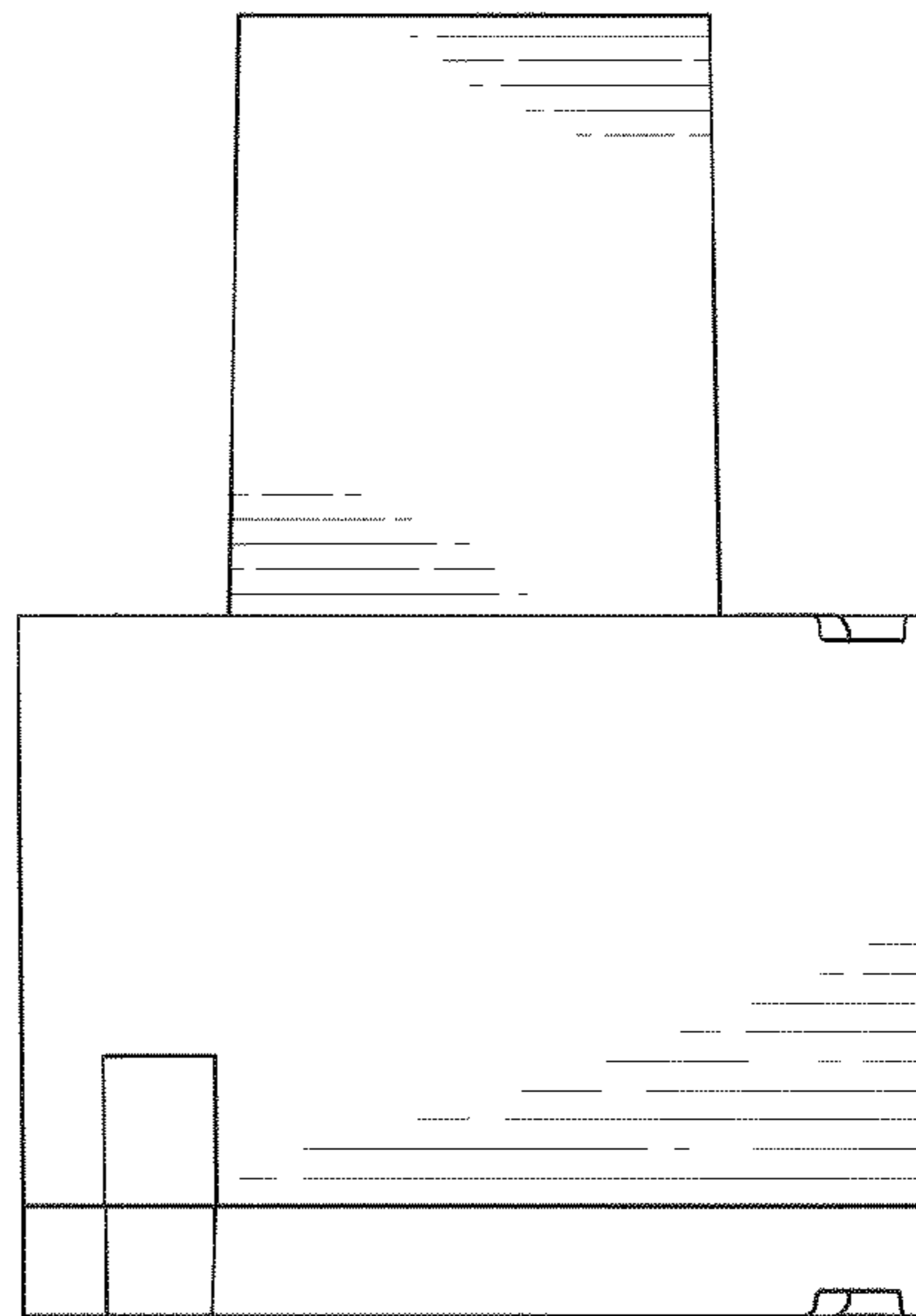


Fig. 5

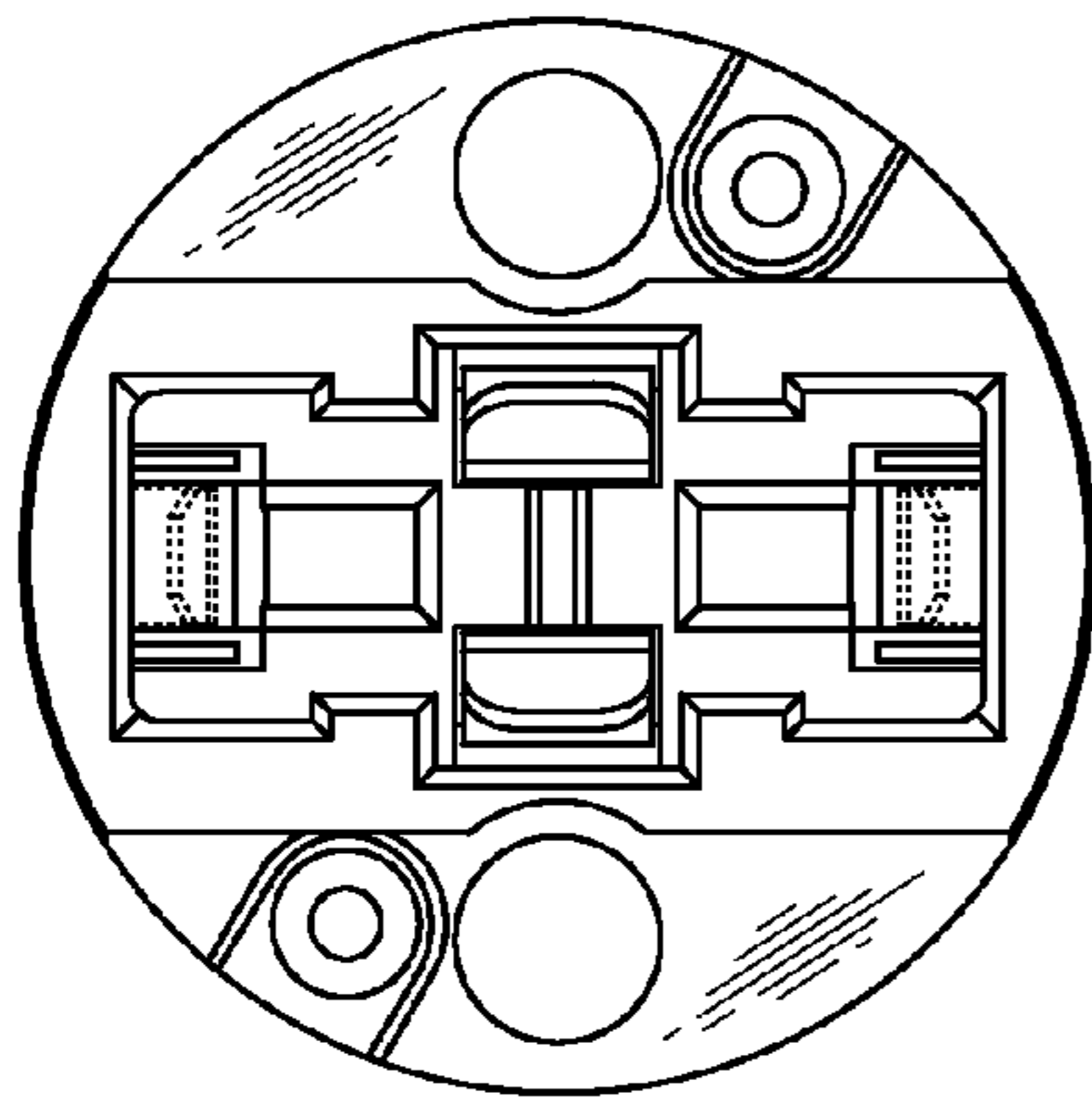


Fig. 6

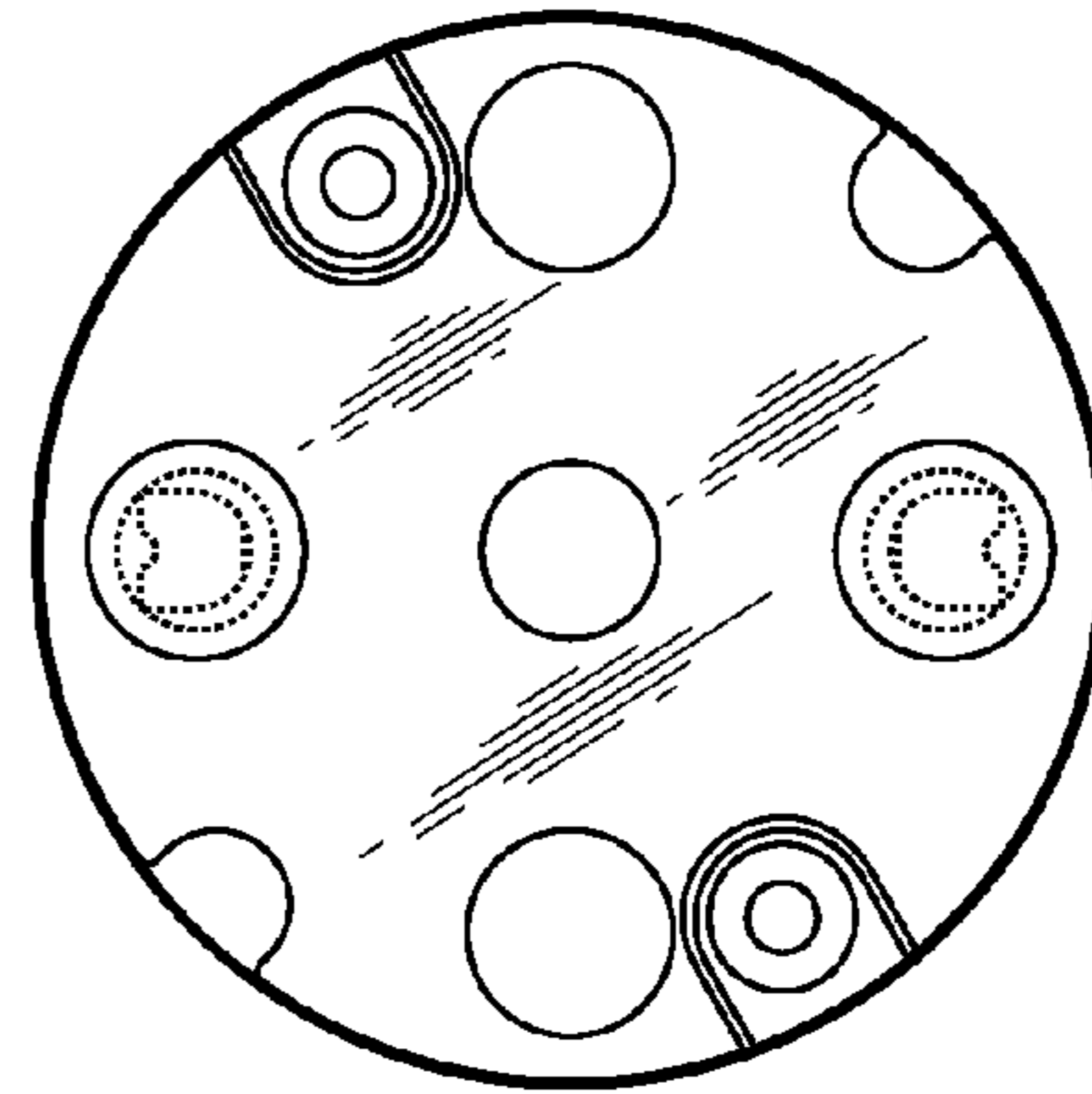


Fig. 7