



US00D616365S

(12) **United States Design Patent**
Wang et al.

(10) **Patent No.:** **US D616,365 S**

(45) **Date of Patent:** **** May 25, 2010**

(54) **BATTERY HOLDER**

(75) Inventors: **Lin-Yi Wang**, Shenzhen (CN);
Mi-Chien Chen, Taipei Hsien (TW);
Chun-Jen Lin, Taipei Hsien (TW);
Jin-Bao Huang, Shenzhen (CN)

(73) Assignee: **Hon Hai Precision Industry Co., Ltd.**,
Tu-Cheng, Taipei Hsien (TW)

(**) Term: **14 Years**

(21) Appl. No.: **29/343,594**

(22) Filed: **Sep. 16, 2009**

(30) **Foreign Application Priority Data**

Jun. 26, 2009 (CN) 2009 3 0307538.7

(51) **LOC (9) Cl.** **13-02**

(52) **U.S. Cl.** **D13/119; D3/273**

(58) **Field of Classification Search** D13/102–106,
D13/110, 118–119, 184; 429/96–100, 163,
429/176; D3/201, 273, 284; 190/100, 109–114,
190/119–121

See application file for complete search history.

(56) **References Cited**

U.S. PATENT DOCUMENTS

D255,038 S * 5/1980 Itakura D21/385
D348,564 S * 7/1994 Kalkhof D3/284
D351,503 S * 10/1994 Bach D3/273
D370,888 S * 6/1996 Okumura D13/108

D380,611 S * 7/1997 Mancusi D3/284
D424,296 S * 5/2000 David D3/273
D462,518 S * 9/2002 Truffier-Blanc et al. D3/273
D469,061 S * 1/2003 Porter D13/119
D496,161 S * 9/2004 Rosler D3/281
D500,923 S * 1/2005 Gonzalez et al. D3/301
D509,656 S * 9/2005 Pangerc et al. D3/294
D537,034 S * 2/2007 Kang et al. D13/103
D589,703 S * 4/2009 Wenchel et al. D3/273
D601,959 S * 10/2009 Lee et al. D13/119
D601,960 S * 10/2009 Dai D13/119

* cited by examiner

Primary Examiner—Rosemary K Tarca

(74) *Attorney, Agent, or Firm*—Clifford O. Chi

(57) **CLAIM**

The ornamental design for a battery holder, as shown and described.

DESCRIPTION

FIG. 1 is a perspective view of a battery holder of our new design;

FIG. 2 is a front elevation view thereof;

FIG. 3 is a rear elevation view thereof;

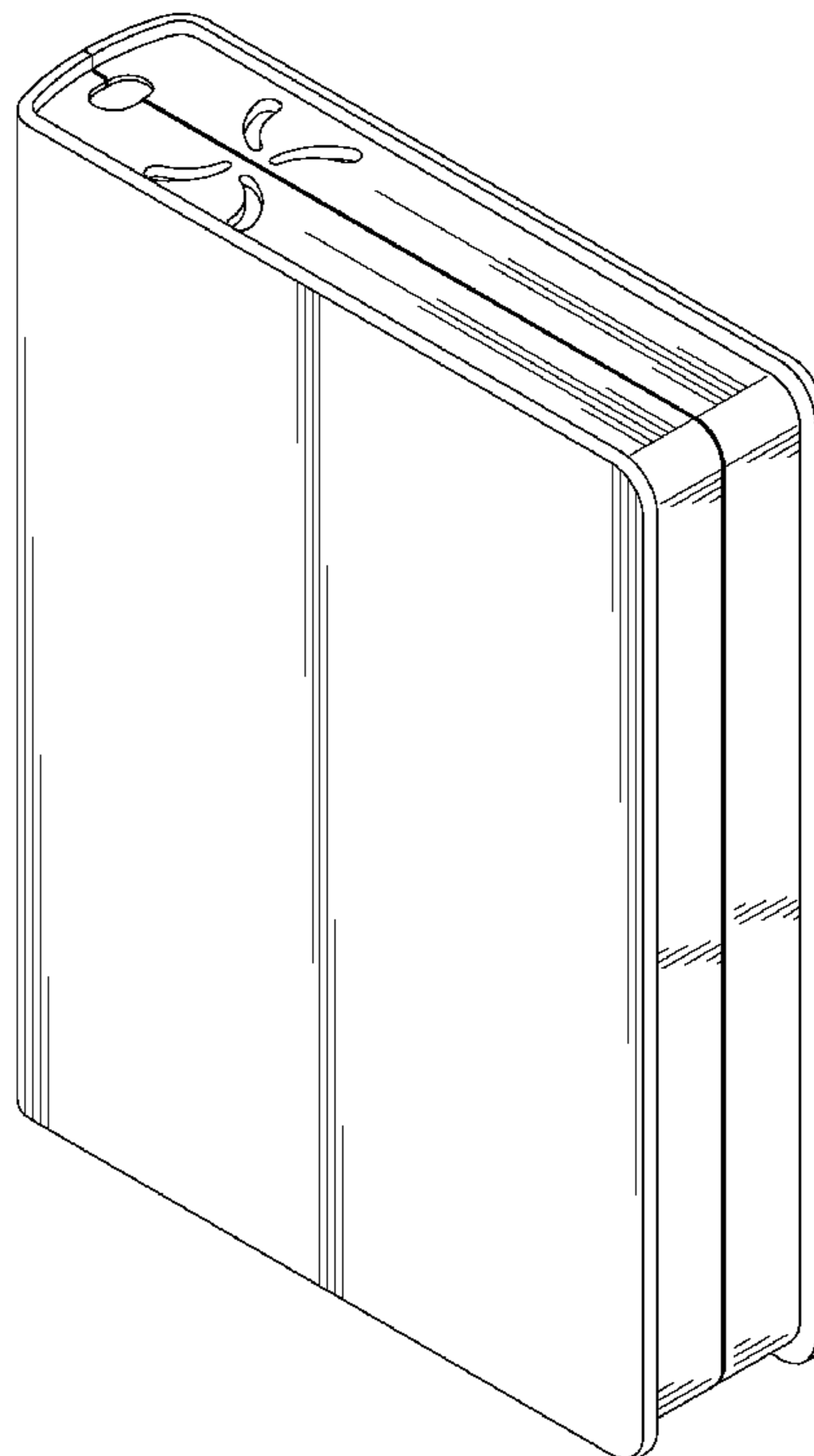
FIG. 4 is a left side elevation view thereof;

FIG. 5 is a right side elevation view thereof;

FIG. 6 is a top plan view thereof; and,

FIG. 7 is a bottom plan view thereof.

1 Claim, 7 Drawing Sheets



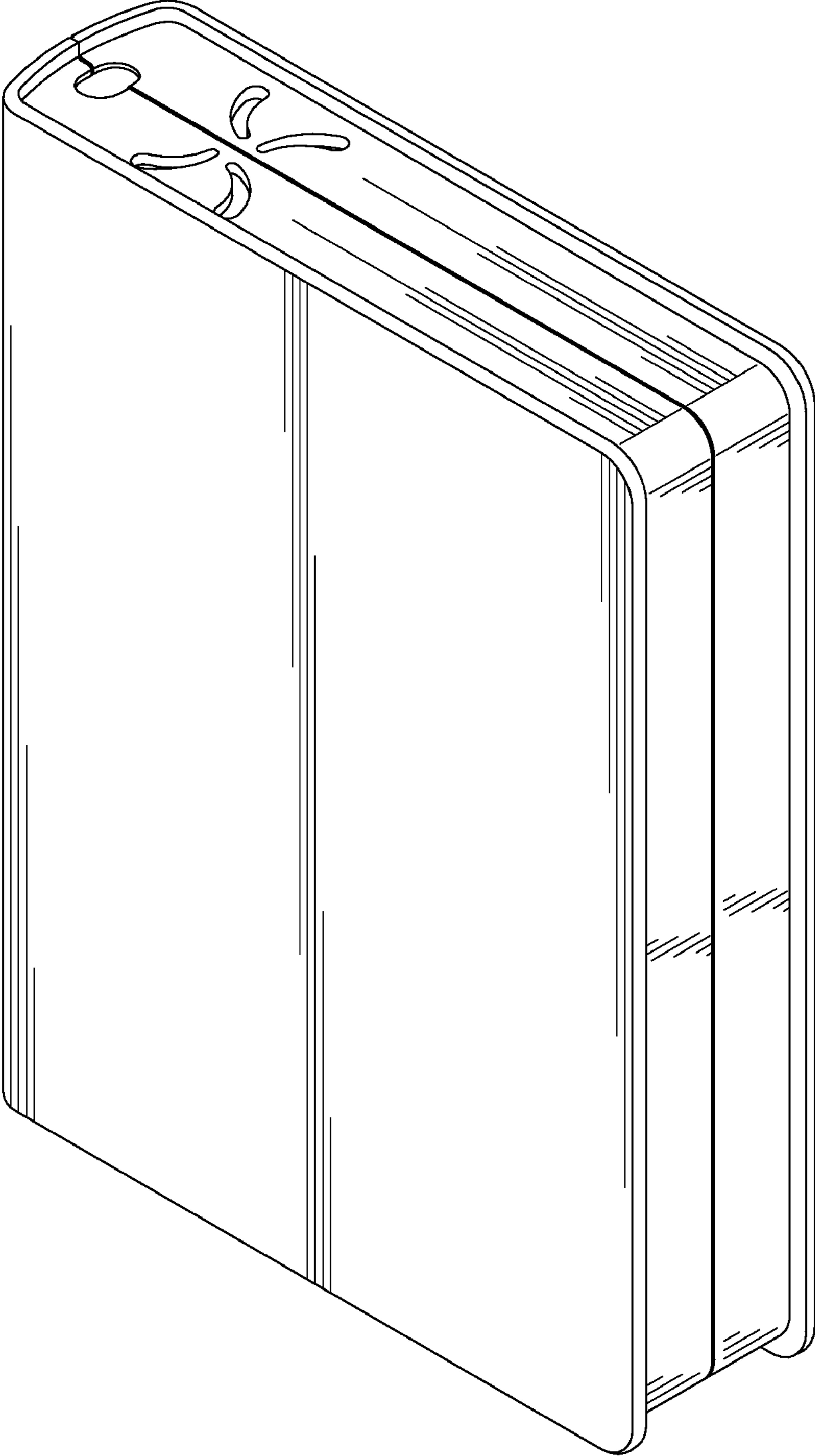


FIG. 1

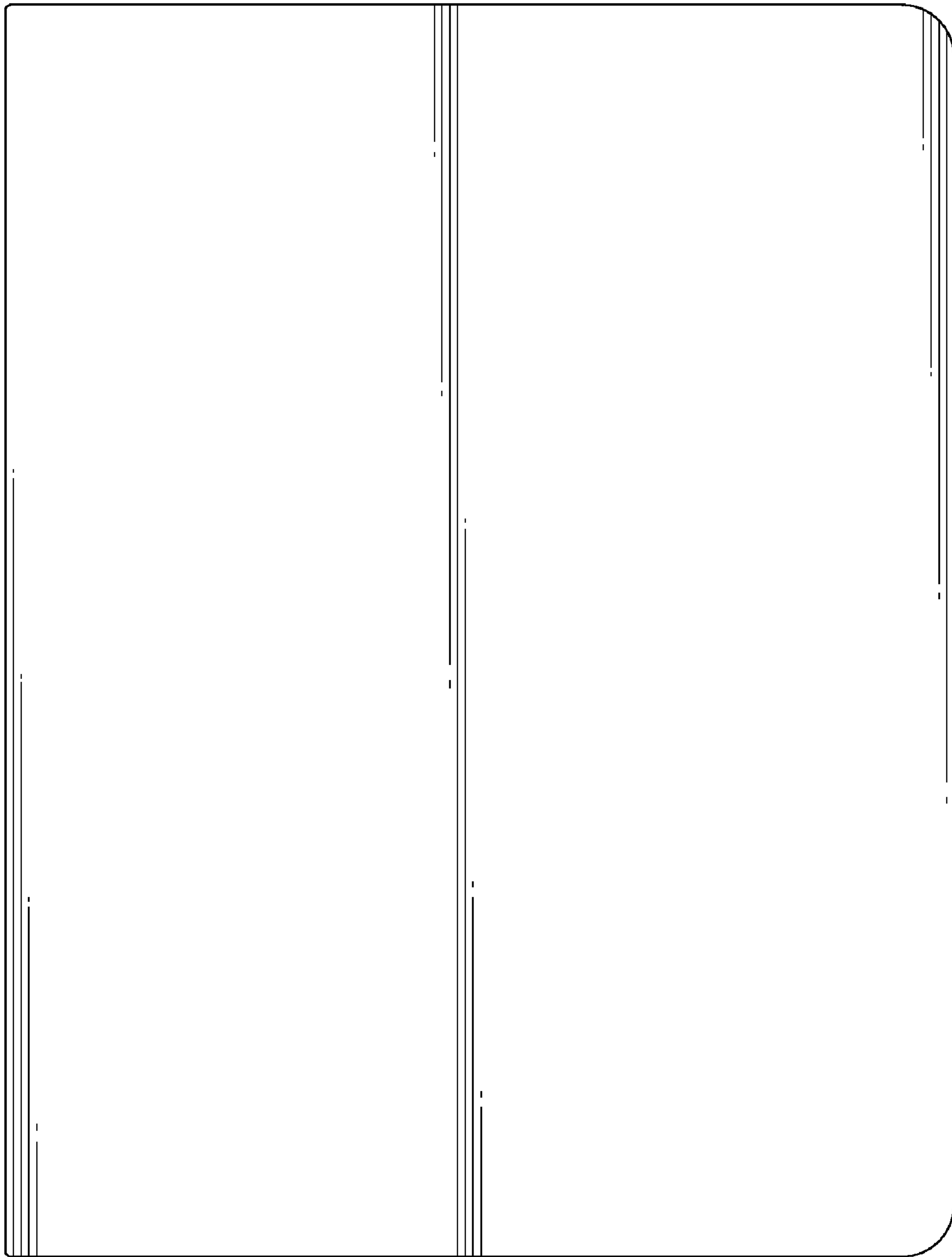


FIG. 2

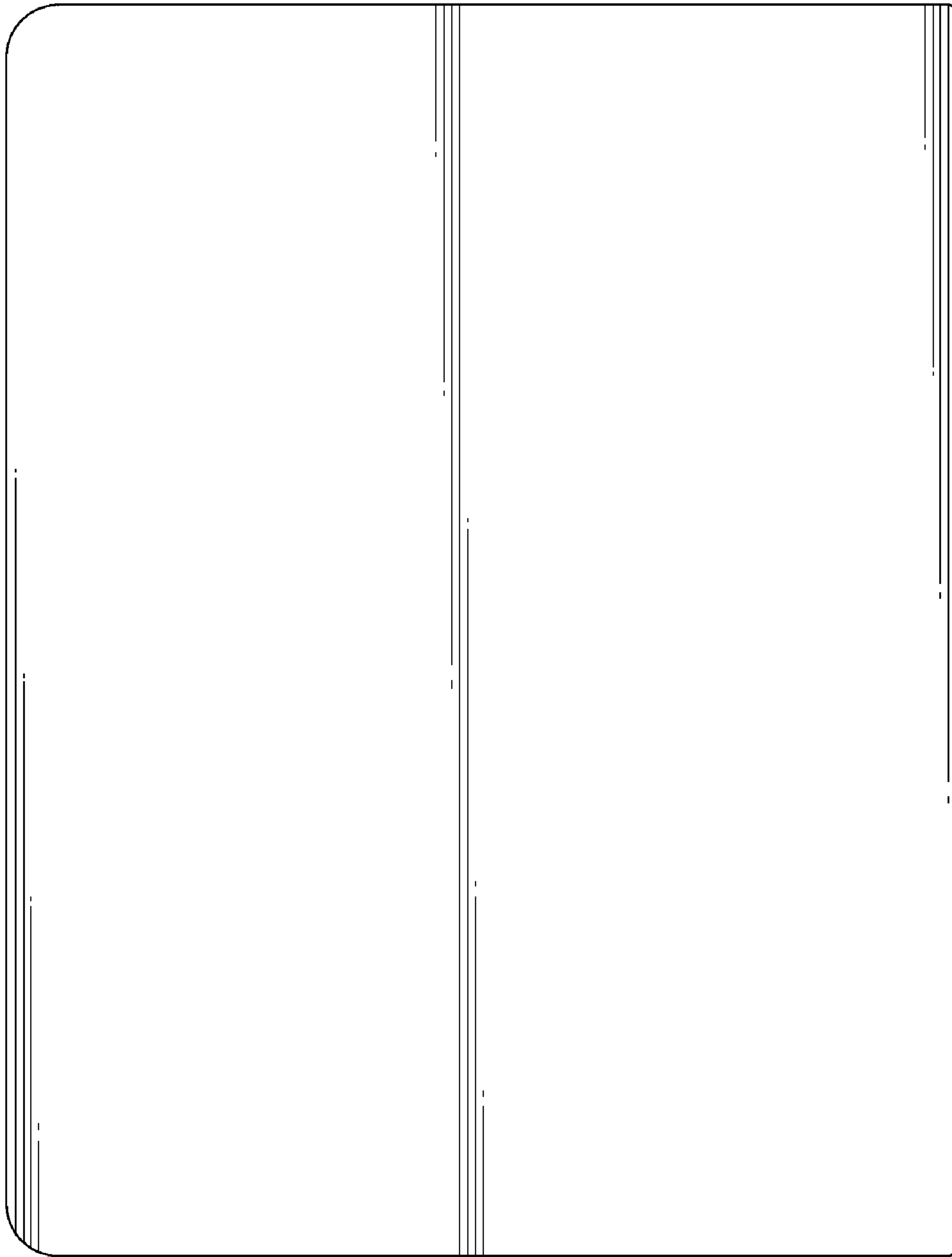


FIG. 3

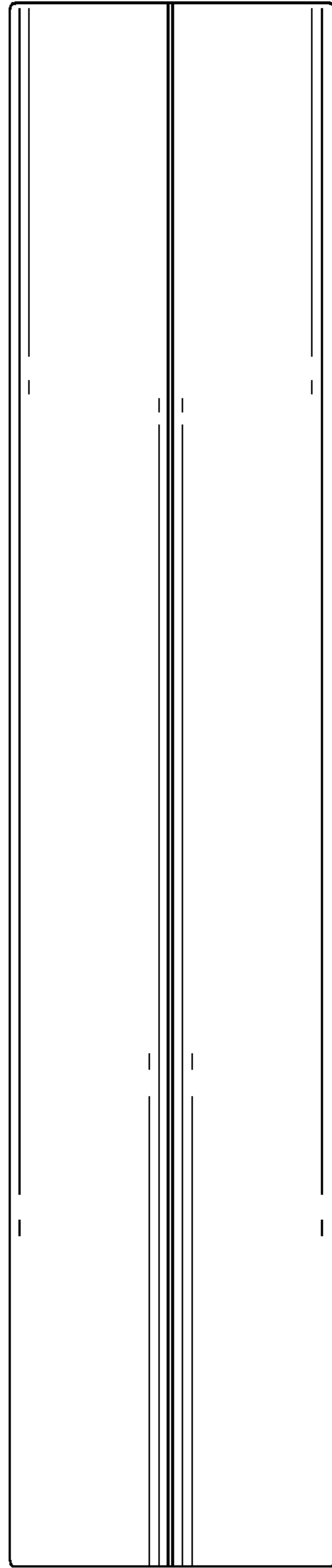


FIG. 4

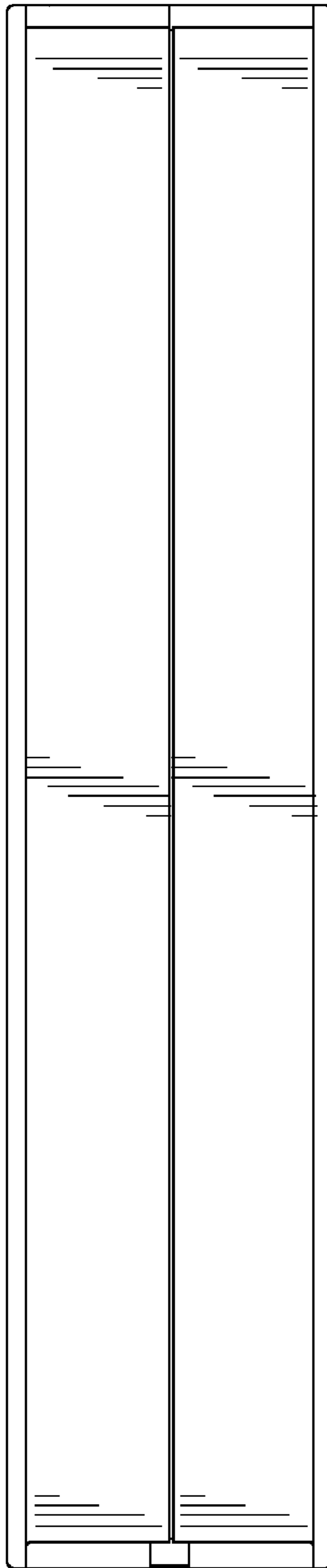


FIG. 5

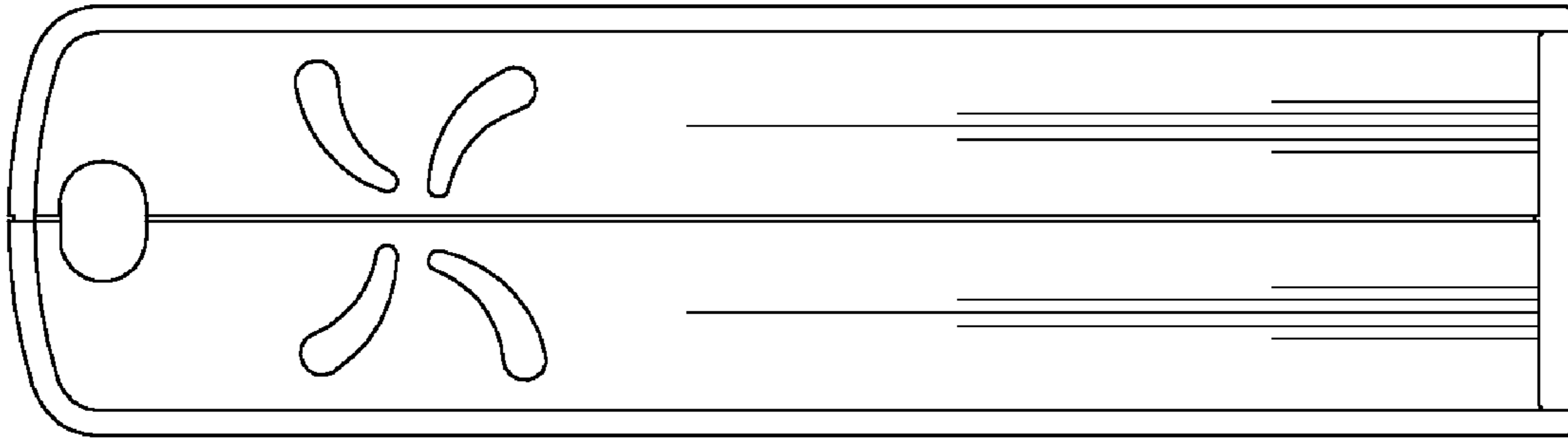


FIG. 6

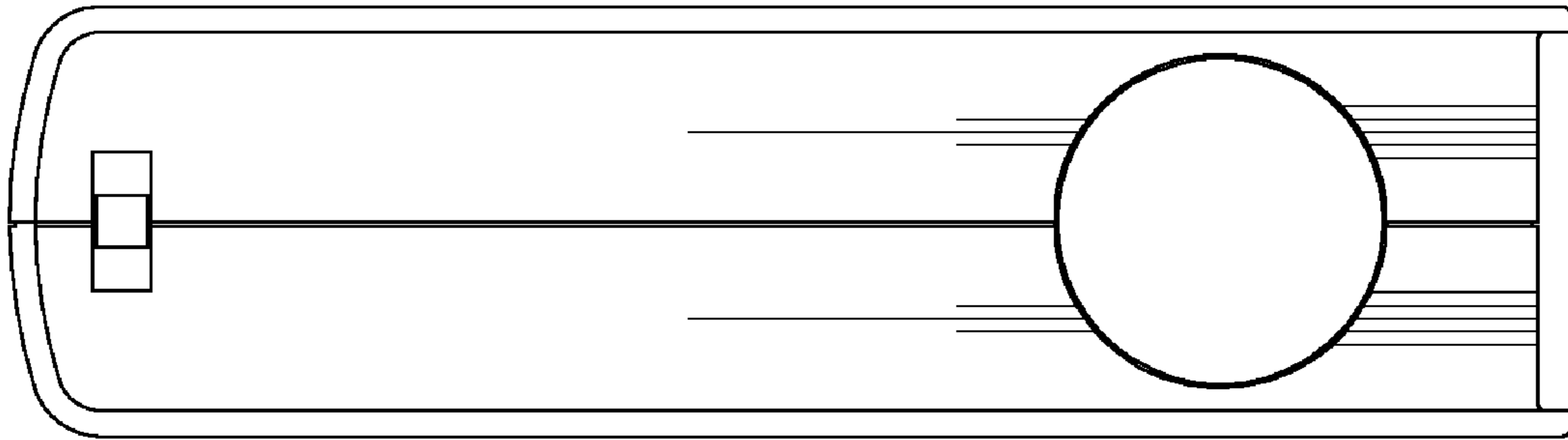


FIG. 7