



US00D616363S

(12) **United States Design Patent**
Weng

(10) **Patent No.:** **US D616,363 S**

(45) **Date of Patent:** **** May 25, 2010**

(54) **CHARGER**

(76) Inventor: **Ying-Chao Weng**, P.O. Box 6-9, Tainan
717 (TW)

(**) Term: **14 Years**

(21) Appl. No.: **29/316,590**

(22) Filed: **Oct. 13, 2009**

(51) **LOC (9) Cl.** **13-02**

(52) **U.S. Cl.** **D13/107**

(58) **Field of Classification Search** D13/107-110,
D13/118-119, 184, 199; D14/251, 253,
D14/432, 434; 320/107-115

See application file for complete search history.

(56) **References Cited**

U.S. PATENT DOCUMENTS

5,160,879	A	*	11/1992	Tortola et al.	320/111
D400,855	S	*	11/1998	Lee	D13/138.1
D406,259	S	*	3/1999	Lindahl	D13/110
D454,537	S	*	3/2002	O'Connor et al.	D13/110
D456,008	S	*	4/2002	Kawanobe et al.	D13/110
D524,731	S	*	7/2006	Navarrez et al.	D13/108
D526,272	S	*	8/2006	Sade et al.	D13/108
D574,834	S	*	8/2008	Chen	D14/432

D587,191	S	*	2/2009	Kim et al.	D13/108
D592,138	S	*	5/2009	Mahaffey et al.	D13/123
D596,562	S	*	7/2009	Hong et al.	D13/110
D599,737	S	*	9/2009	Amidei et al.	D13/110
D599,738	S	*	9/2009	Amidei et al.	D13/110

* cited by examiner

Primary Examiner—Rosemary K Tarcza

(57) **CLAIM**

The ornamental design for a charger, as shown and described.

DESCRIPTION

FIG. 1 is a perspective view of charger showing my new design;

FIG. 2 is a front elevational view thereof;

FIG. 3 is a rear elevational view thereof;

FIG. 4 is a left side elevational view thereof;

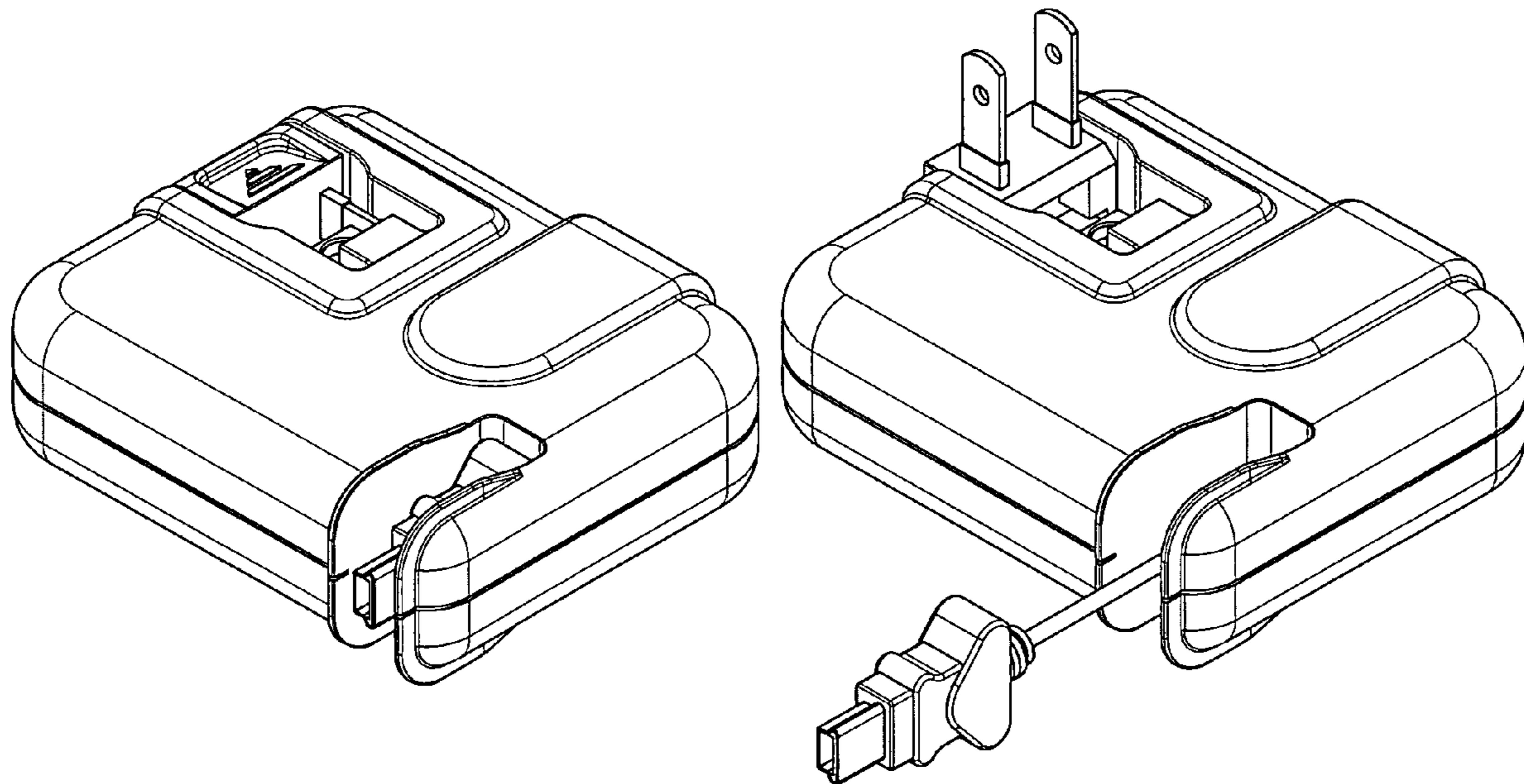
FIG. 5 is a right side elevational view thereof;

FIG. 6 is a top plan view thereof;

FIG. 7 is a bottom plan view thereof; and,

FIG. 8 is a perspective view thereof showing another state of my new design.

1 Claim, 5 Drawing Sheets



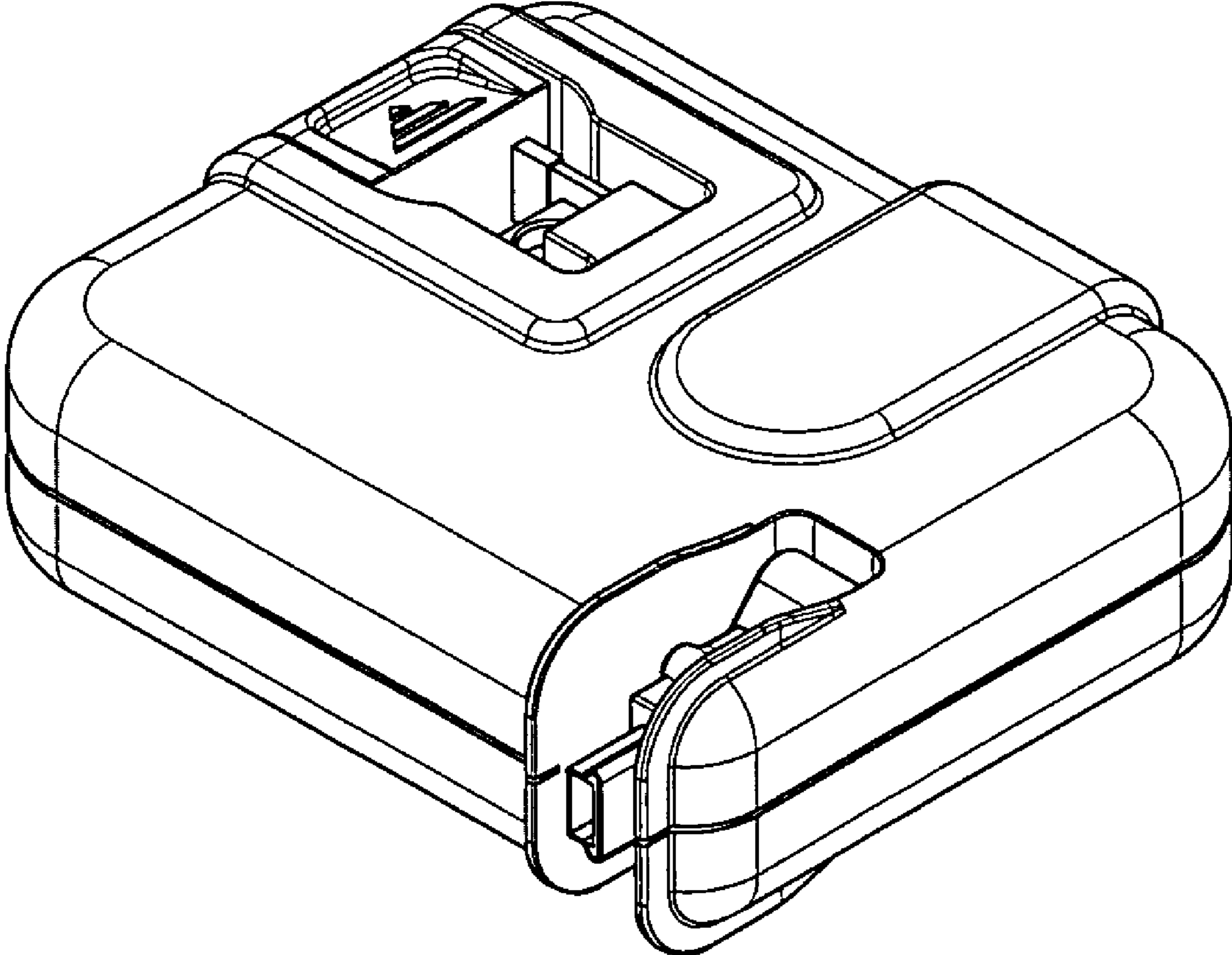


FIG. 1

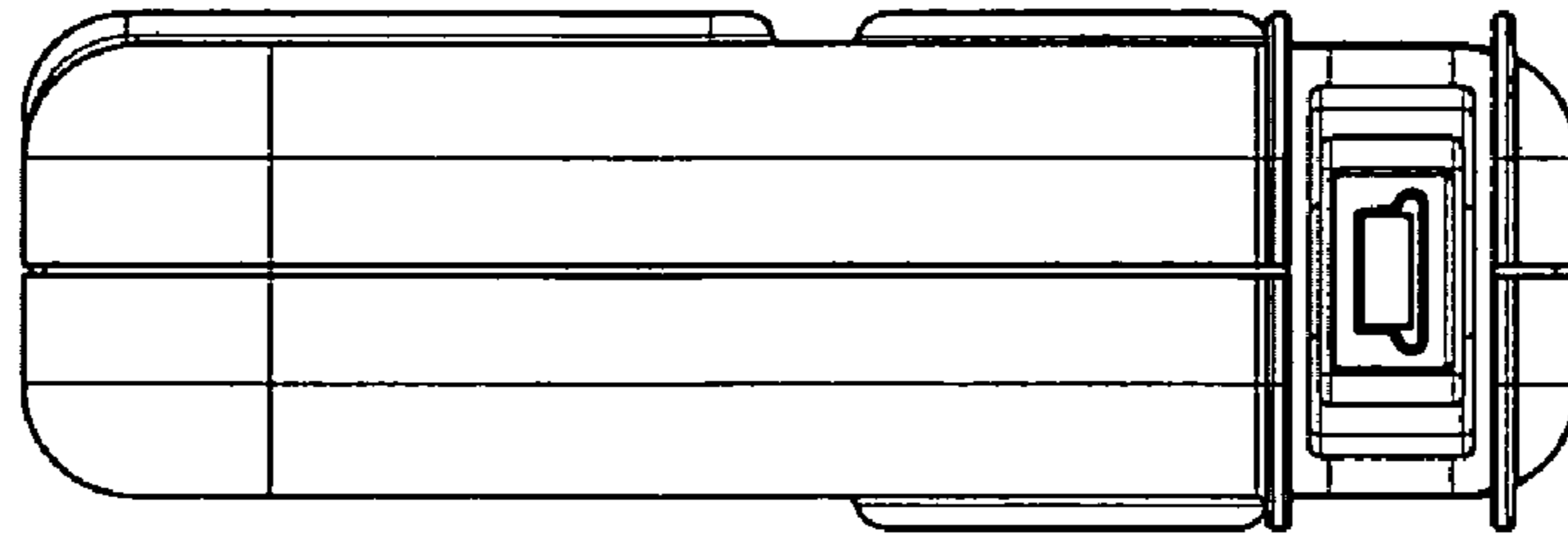


FIG. 2

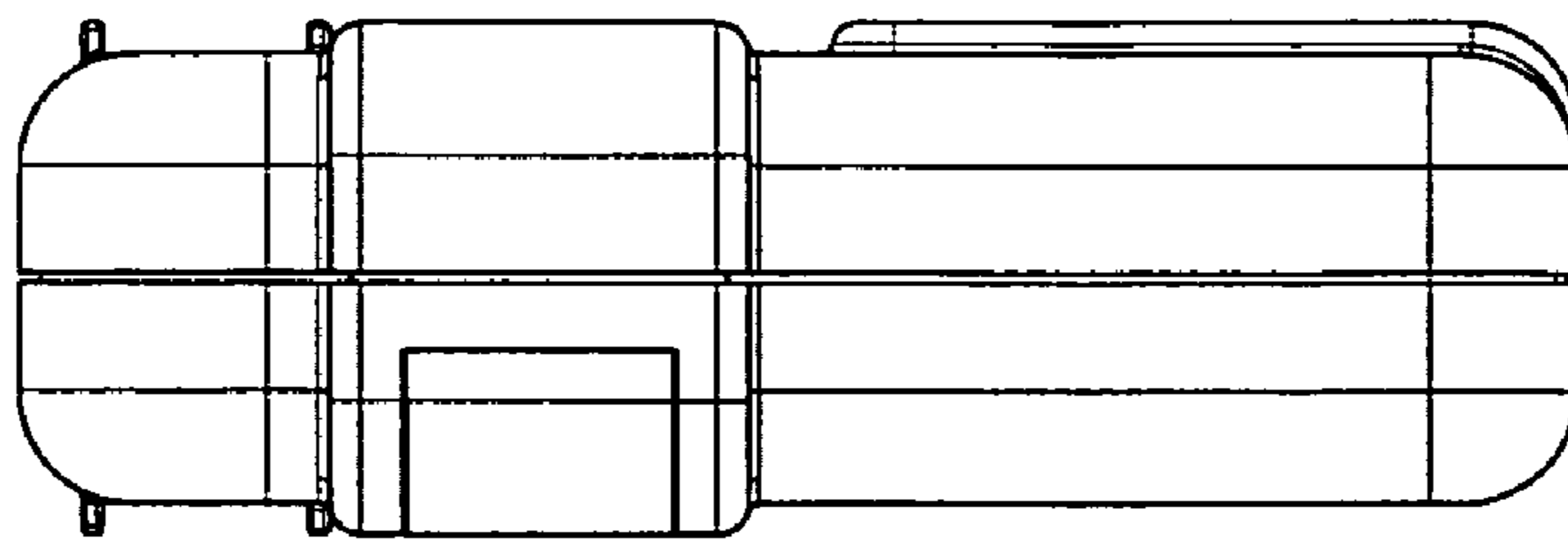


FIG. 3

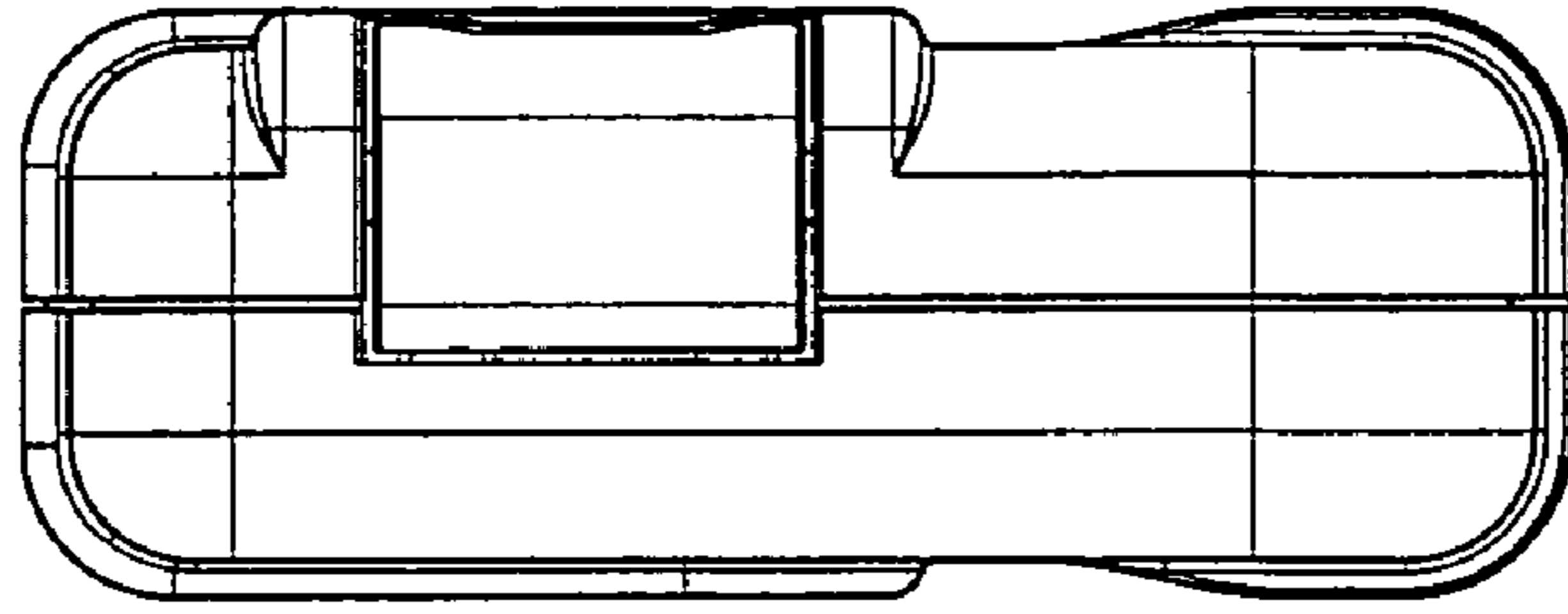


FIG. 4

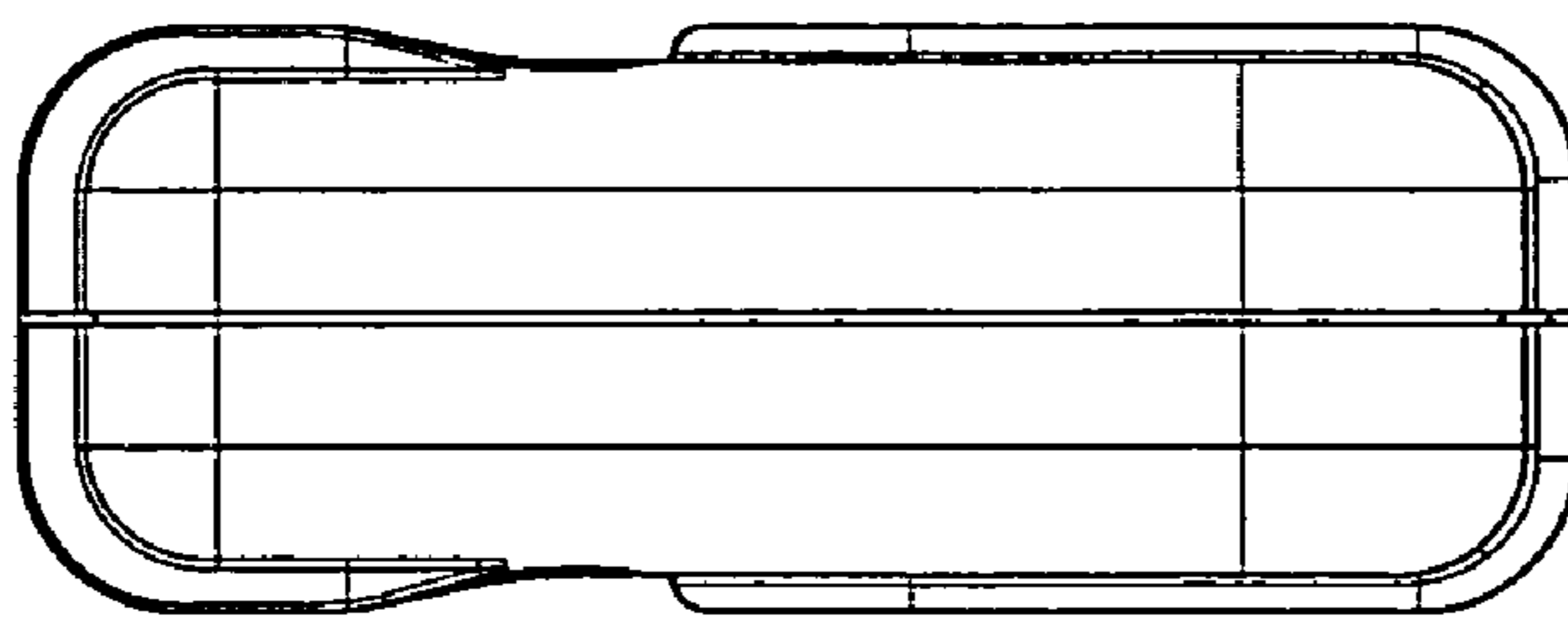


FIG. 5

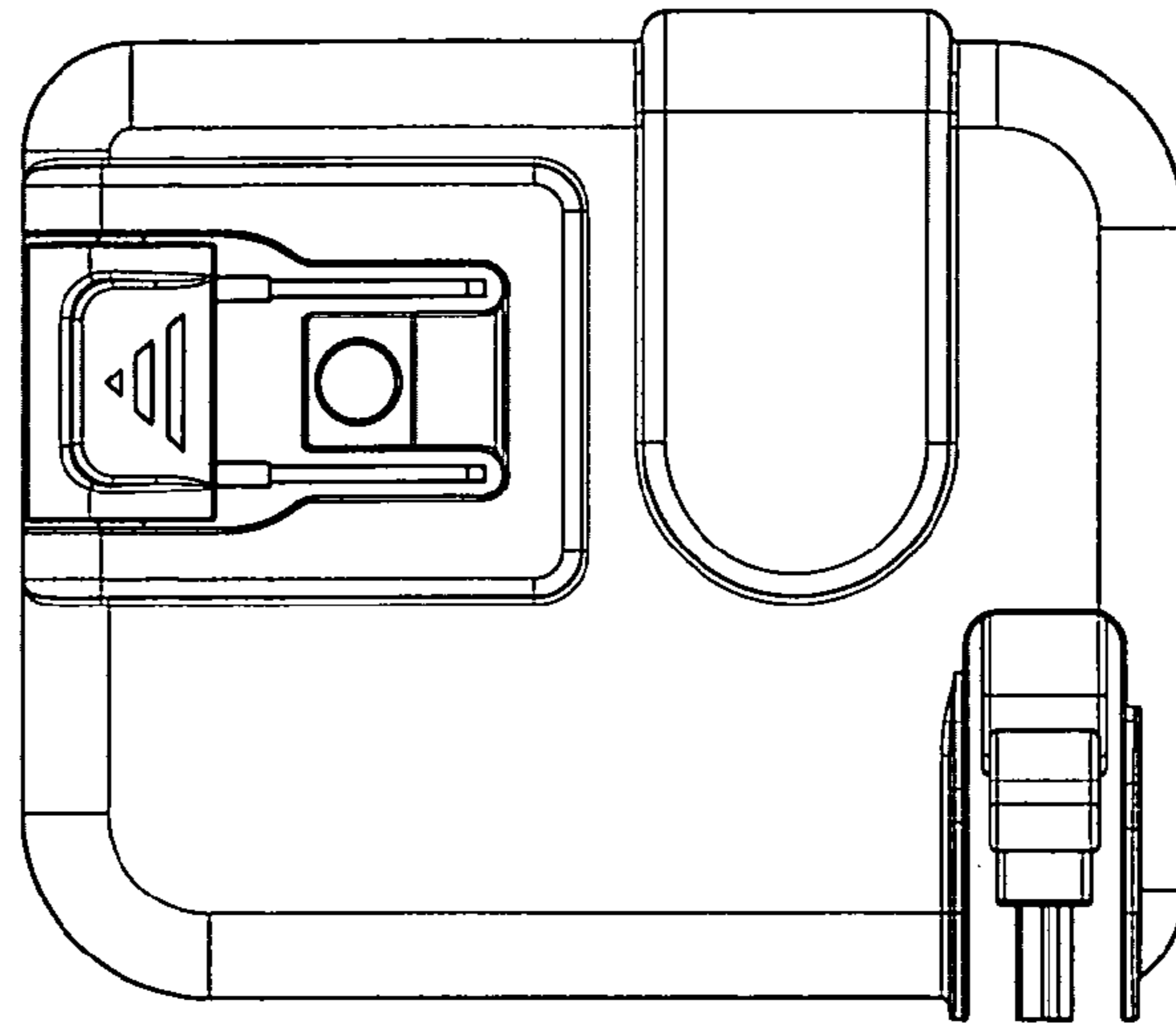


FIG. 6

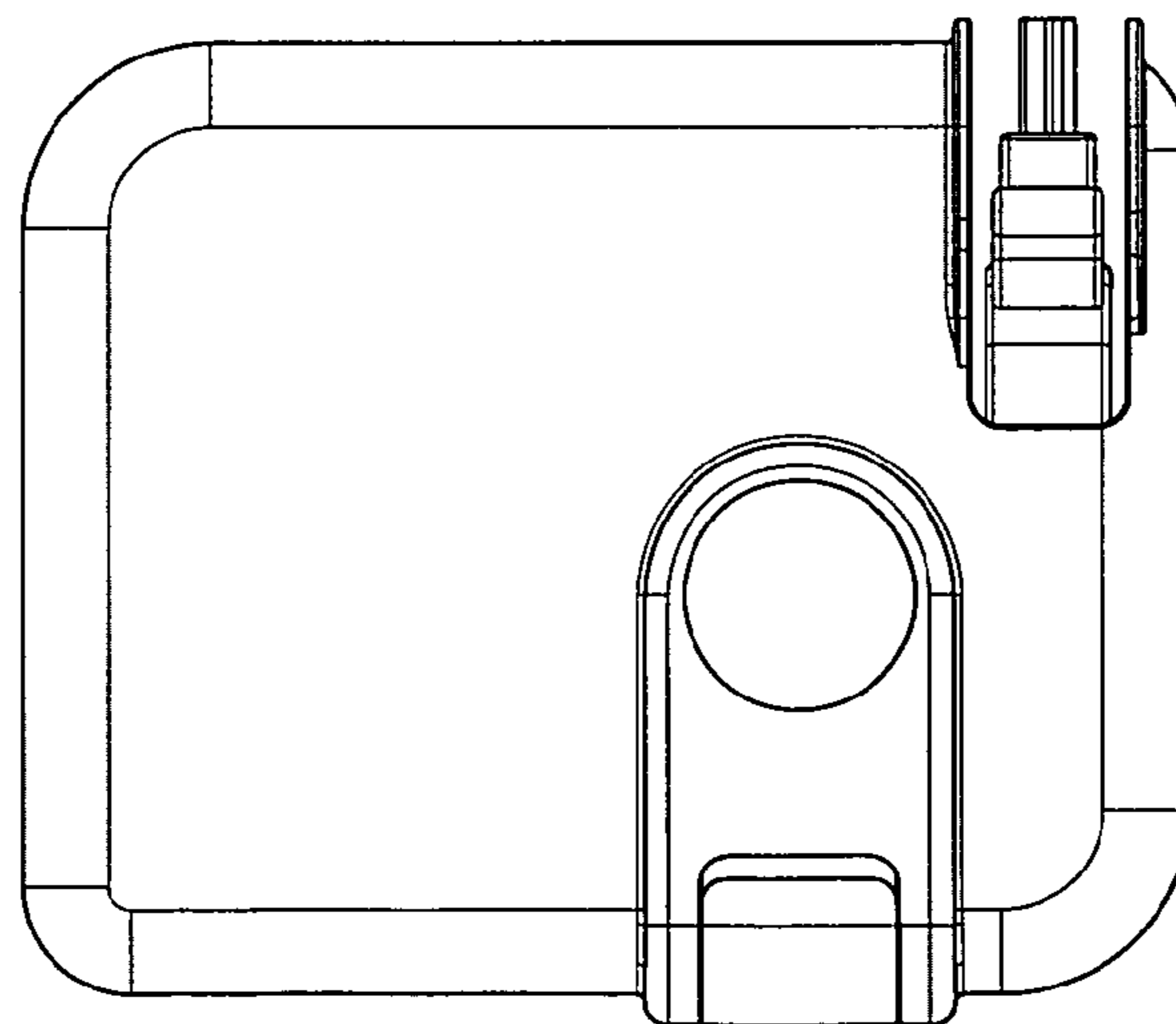


FIG. 7

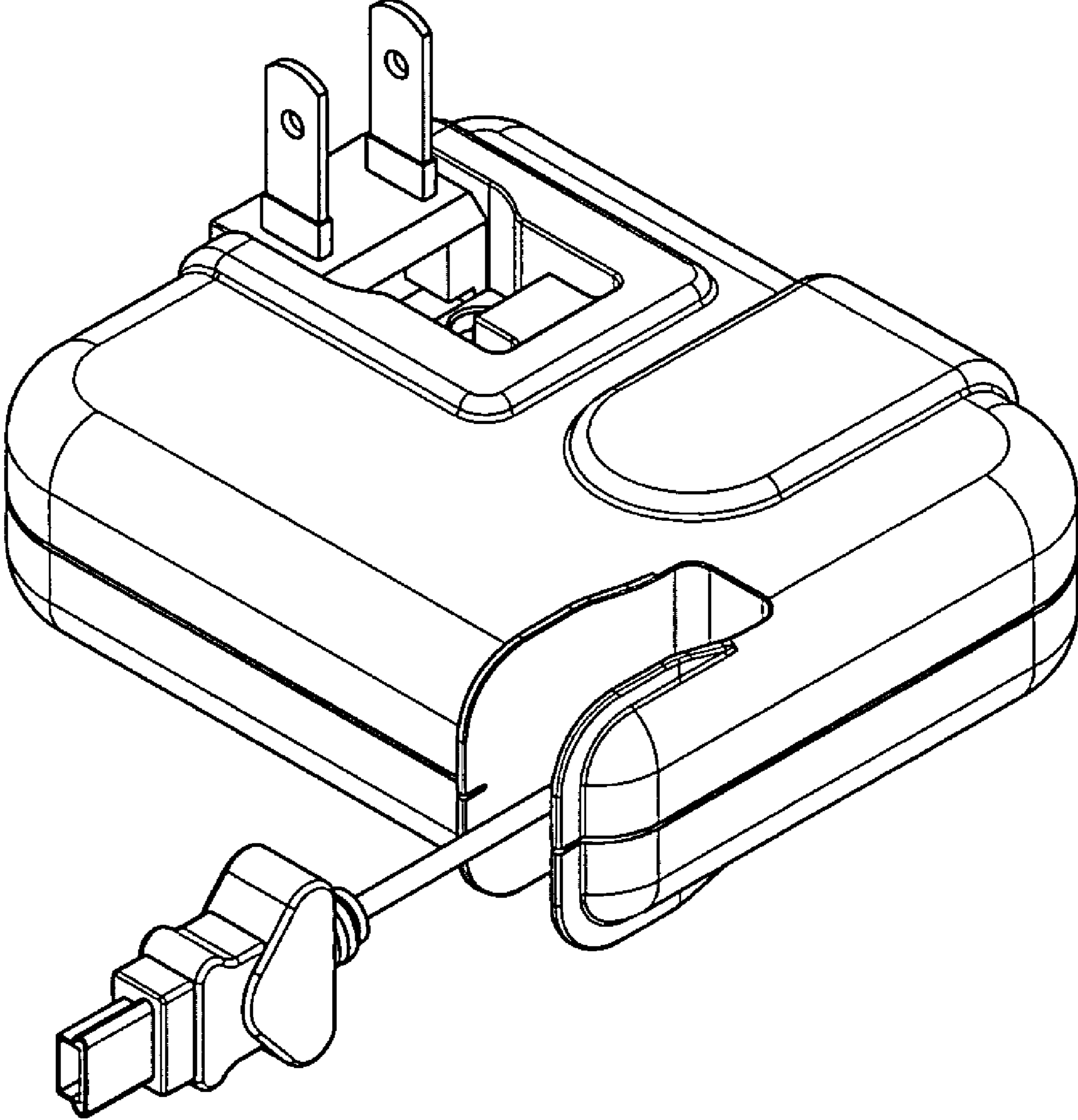


FIG.8