

US00D616362S

(12) **United States Design Patent**  
**Chang et al.**

(10) **Patent No.:** **US D616,362 S**  
(45) **Date of Patent:** **\*\* May 25, 2010**

(54) **BATTERY**

(75) Inventors: **Chao-Hao Chang**, Taipei (TW);  
**Chia-Ying Chen**, Taipei (TW)

(73) Assignee: **Compal Electronics, Inc.**, Taipei (TW)

(\*\*) Term: **14 Years**

(21) Appl. No.: **29/351,434**

(22) Filed: **Dec. 4, 2009**

(30) **Foreign Application Priority Data**

Sep. 29, 2009 (TW) ..... 098304605

(51) **LOC (9) Cl.** ..... **13-02**

(52) **U.S. Cl.** ..... **D13/103**

(58) **Field of Classification Search** ..... D13/103–106,  
D13/110, 118–119, 184; 429/96–100, 163,  
429/176

See application file for complete search history.

(56) **References Cited**

**U.S. PATENT DOCUMENTS**

D406,561 S *	3/1999	Goto	.....	D13/103
D431,808 S *	10/2000	Ogasawara	.....	D13/103
D457,857 S *	5/2002	Ogasawara	.....	D13/103
D476,949 S *	7/2003	Wada	.....	D13/103
D515,025 S *	2/2006	Yokota	.....	D13/103
D520,942 S *	5/2006	Yokota	.....	D13/103
D521,448 S *	5/2006	Yokota	.....	D13/103
D535,249 S *	1/2007	Ogasawara	.....	D13/103
D539,730 S *	4/2007	Kawase	.....	D13/103
D580,350 S *	11/2008	Iseki	.....	D13/103
D580,850 S *	11/2008	Iseki	.....	D13/103
D591,673 S *	5/2009	Ogasawara	.....	D13/103

D603,330 S \* 11/2009 Iseki ..... D13/103

\* cited by examiner

*Primary Examiner*—Rosemary K Tarca

(74) *Attorney, Agent, or Firm*—Jianq Chyun IP Office

(57) **CLAIM**

The ornamental design for a battery, as shown and described.

**DESCRIPTION**

FIG. 1 is a perspective view of a battery showing our new design;

FIG. 2 is a front view thereof;

FIG. 3 is a rear view thereof;

FIG. 4 is a left side view thereof;

FIG. 5 is a right side view thereof;

FIG. 6 is a top view thereof;

FIG. 7 is a bottom view thereof;

FIG. 8 is a reference view illustrating the battery of FIG. 4 in the process of being assembled to a notebook computer;

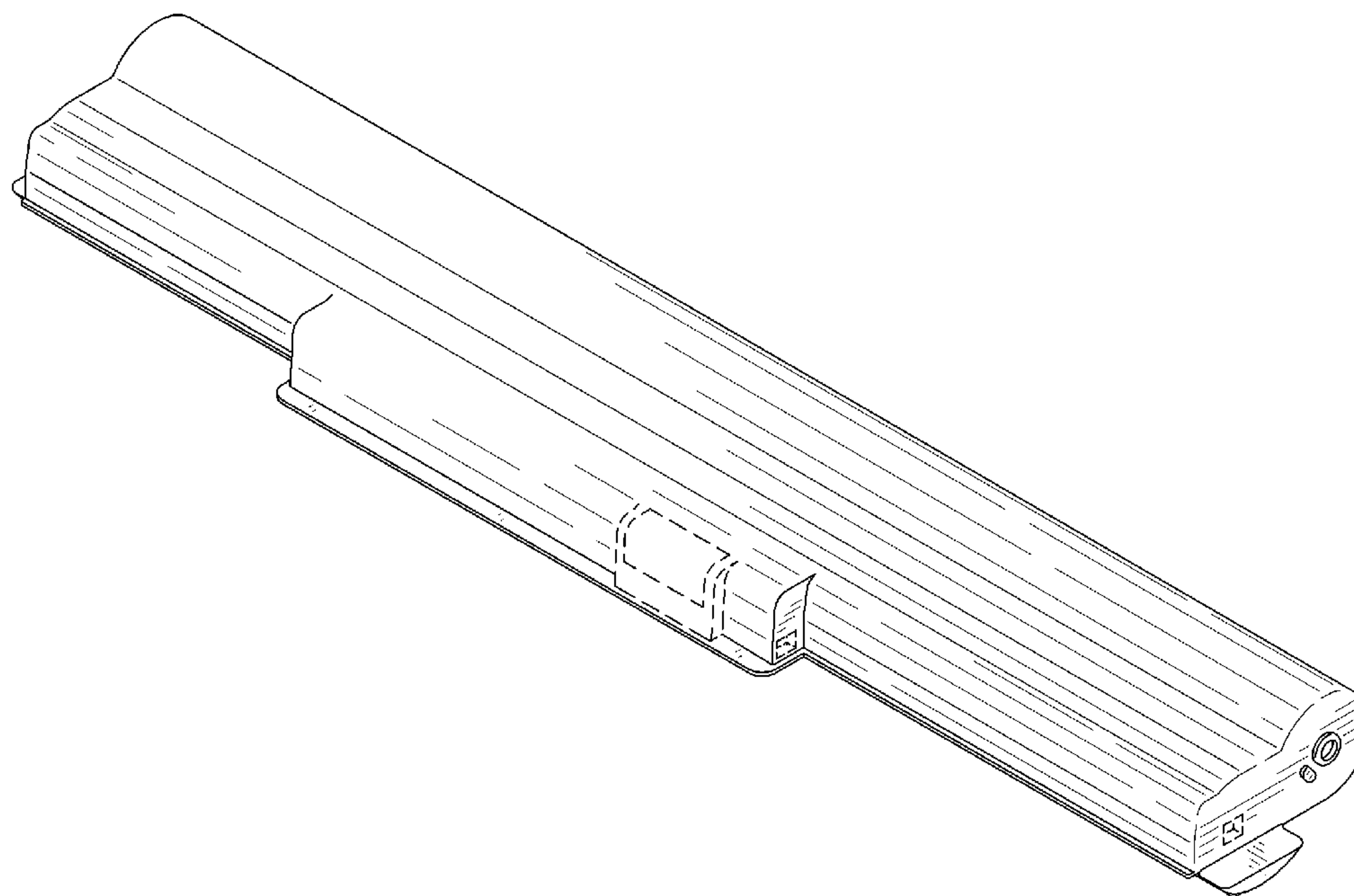
FIG. 9 is another reference view illustrating the battery of FIG. 4 in the process of being assembled to a notebook computer;

FIG. 10 is another reference view illustrating the battery of FIG. 4 in the process of being assembled to a notebook computer; and,

FIG. 11 is a reference view illustrating the battery in FIG. 1 assembled to a notebook computer.

The portions shown in broken lines in FIGS. 1–7 and the notebook computer shown in FIGS. 8–11 are for illustrative purposes only and do not form part of the claimed design.

**1 Claim, 7 Drawing Sheets**



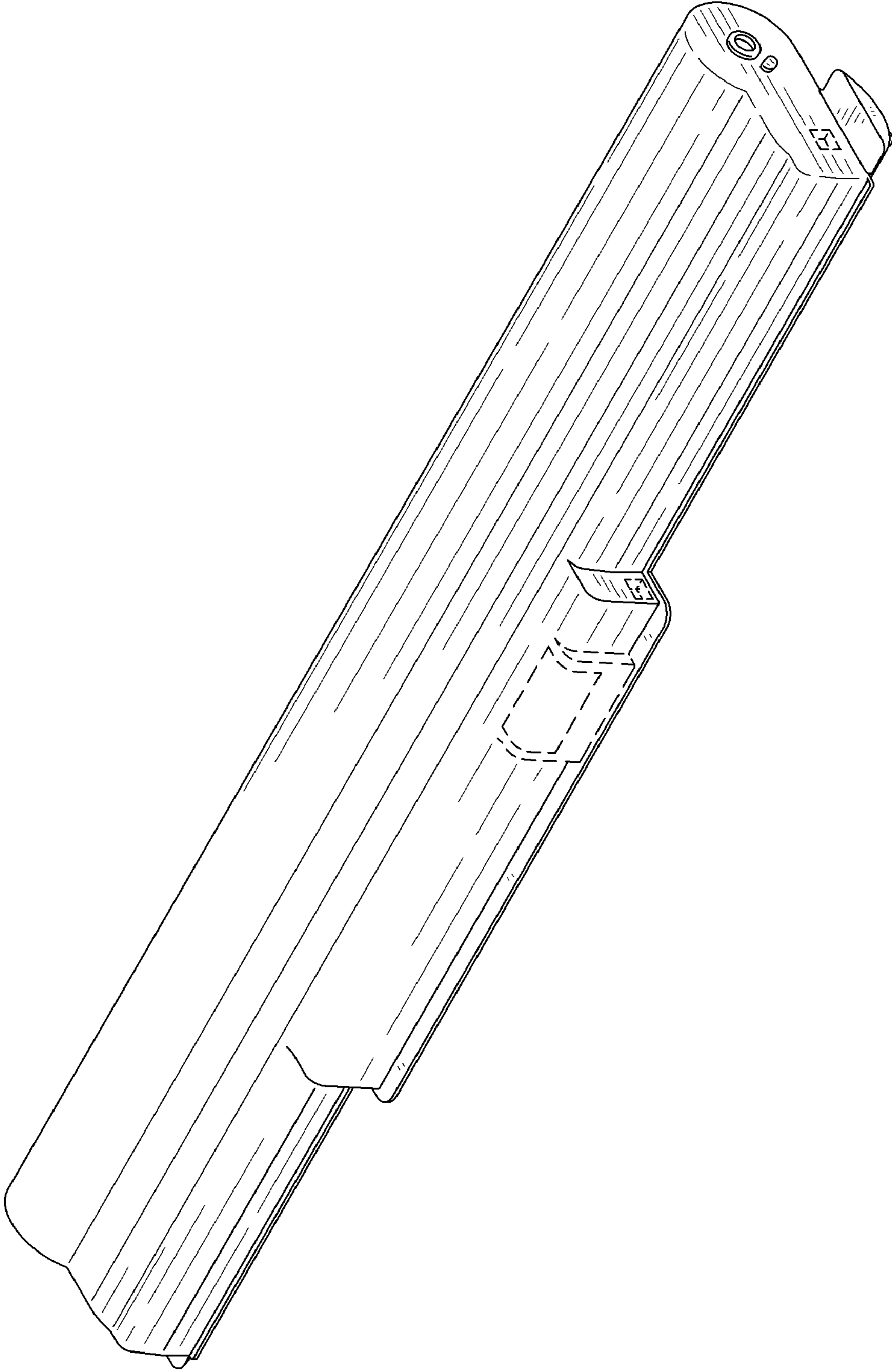


FIG. 1

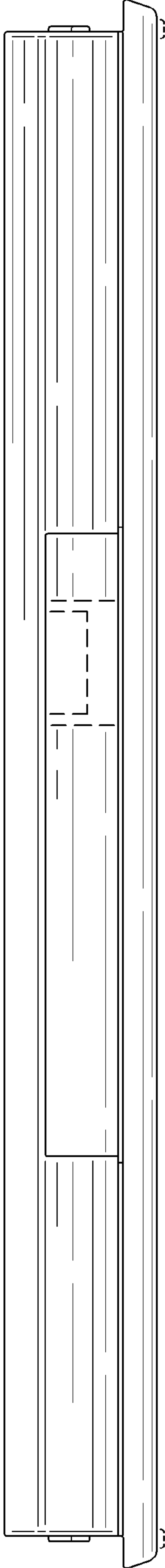


FIG. 2

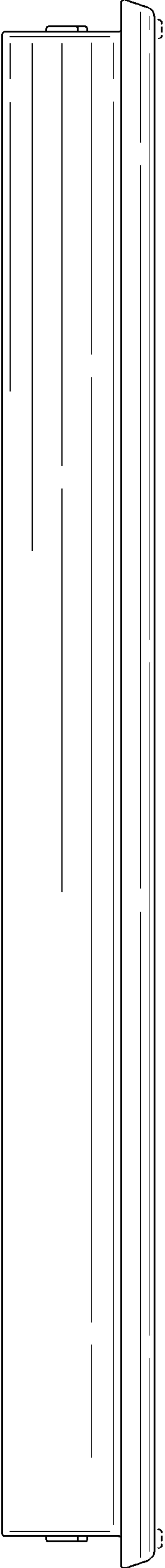


FIG. 3

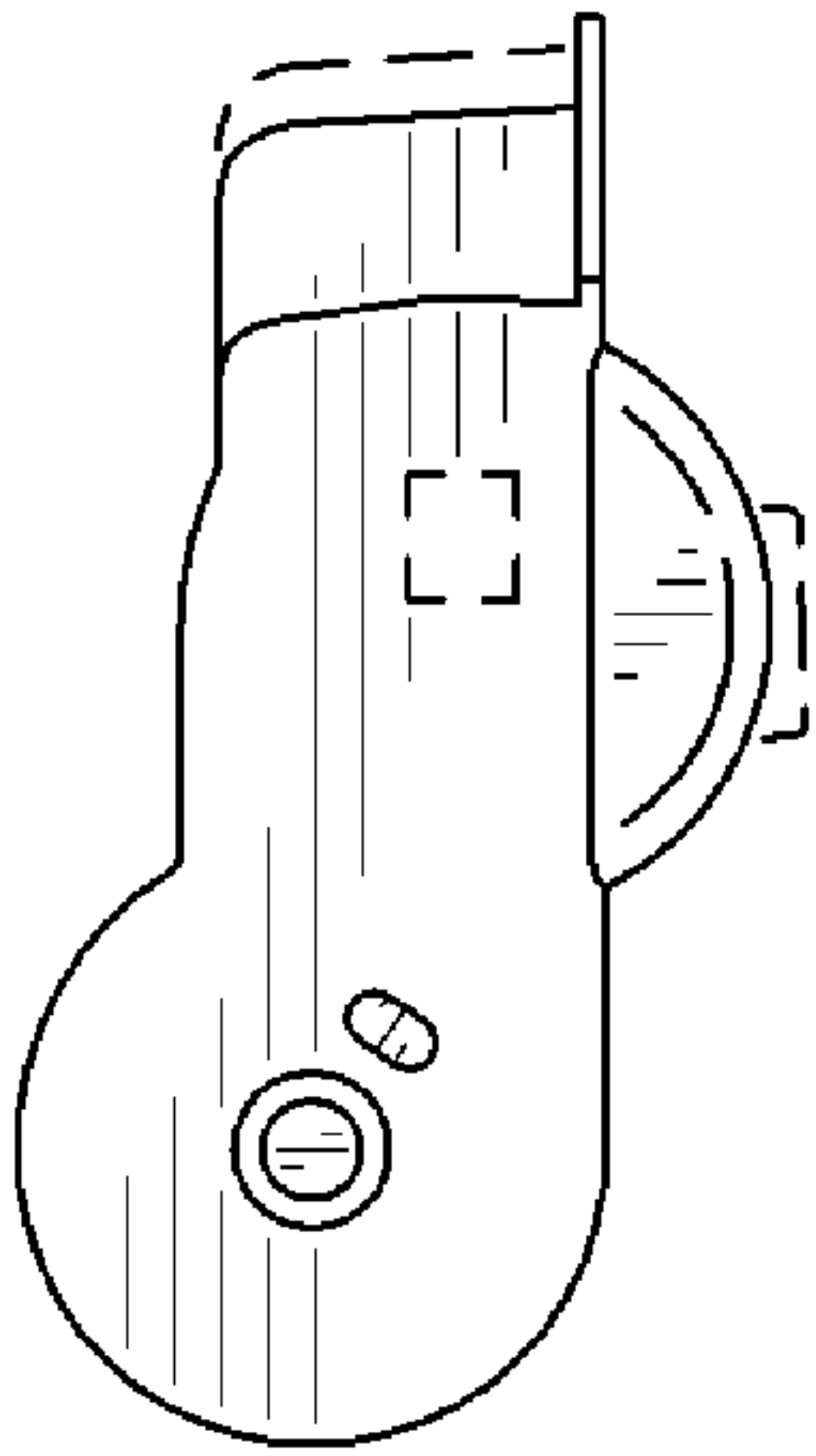


FIG. 4

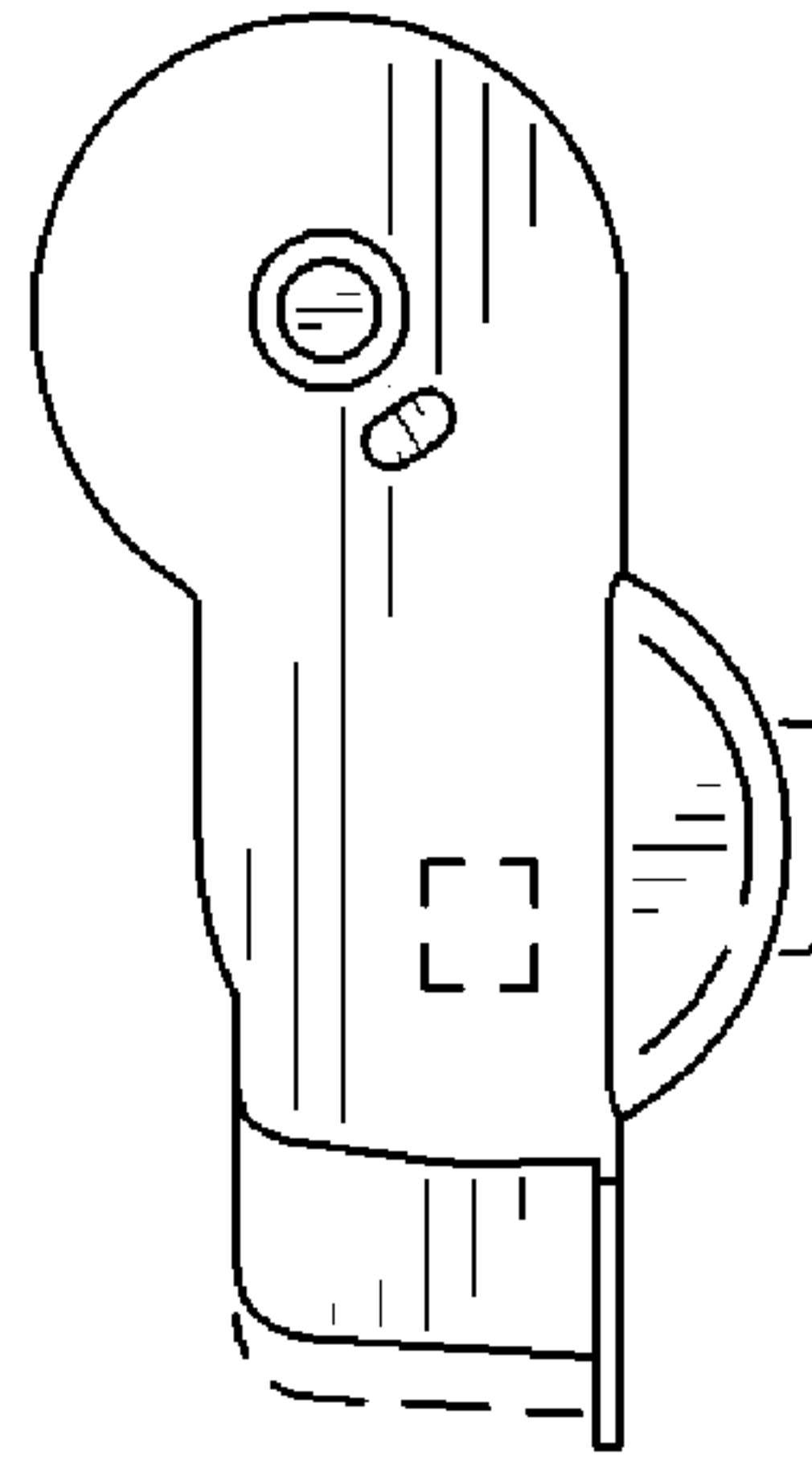


FIG. 5

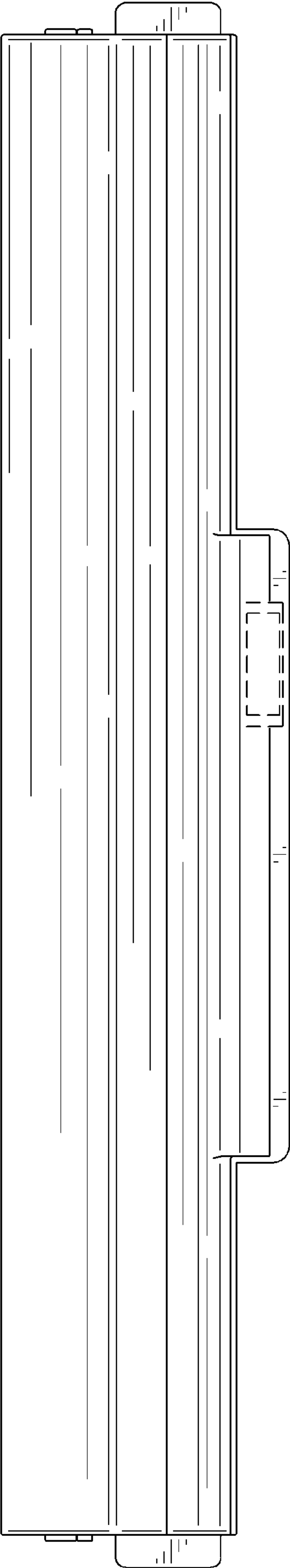


FIG. 6

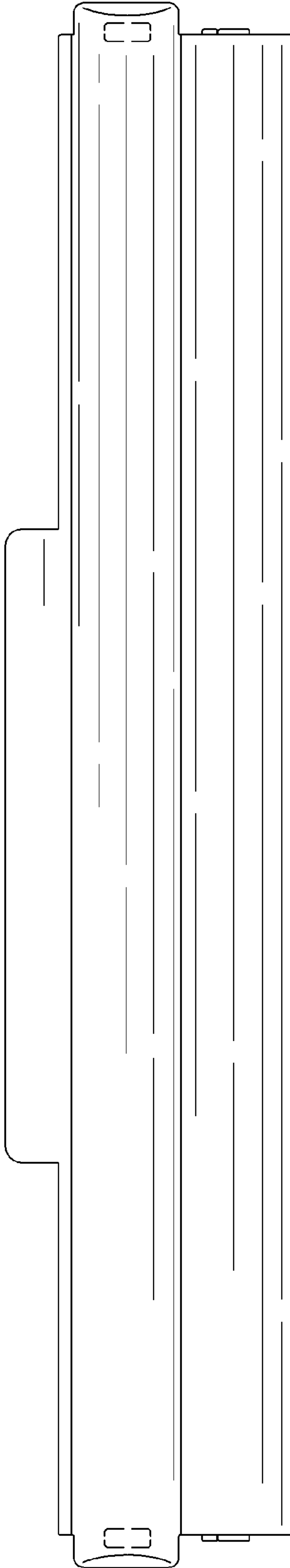


FIG. 7

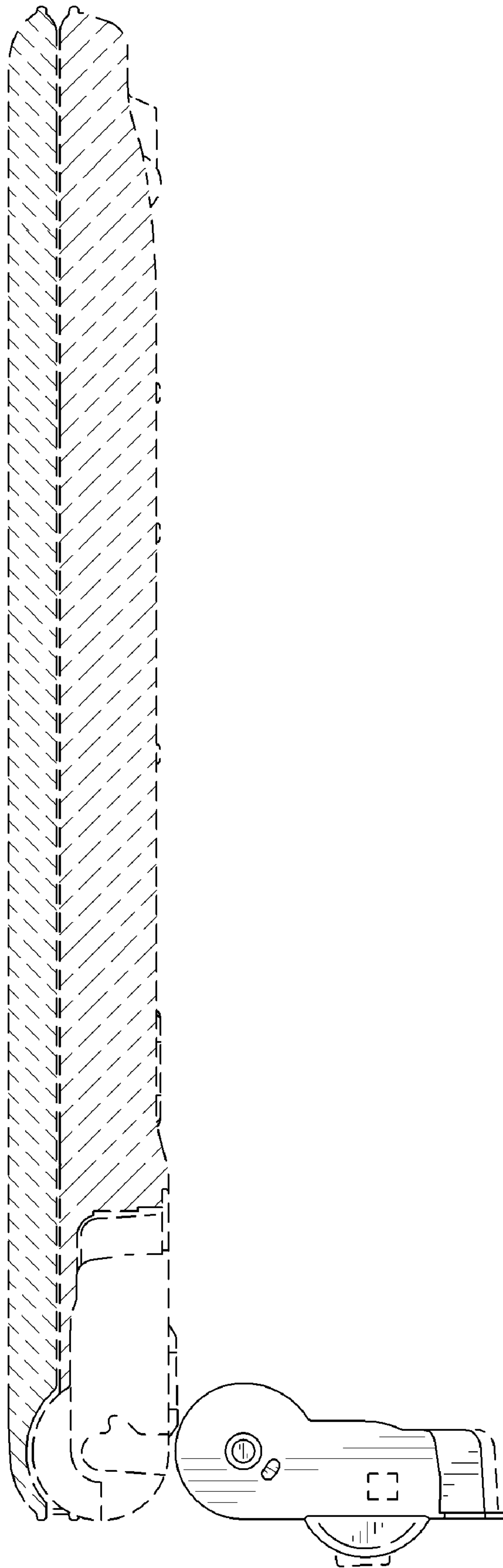


FIG. 8



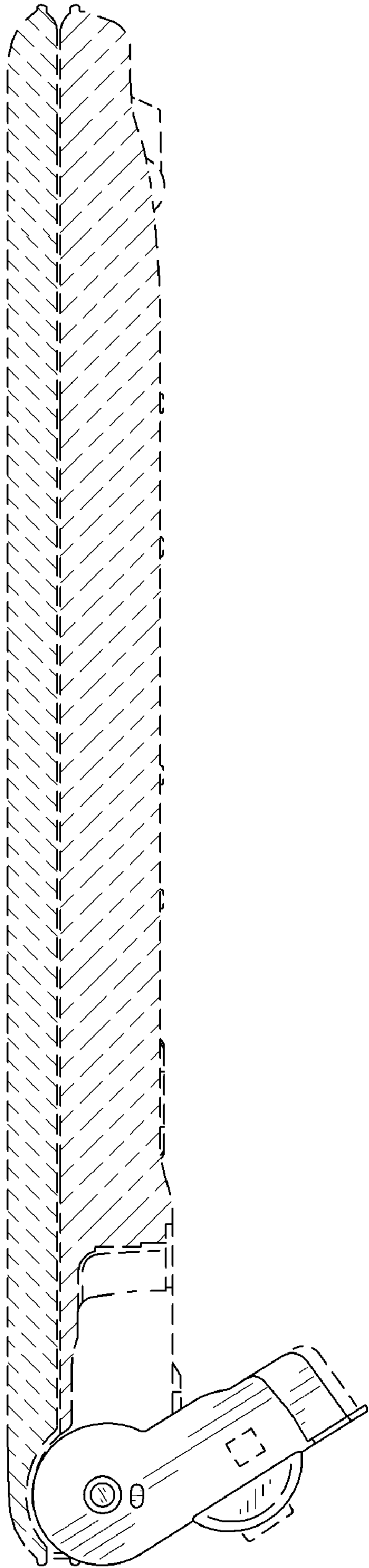


FIG. 9

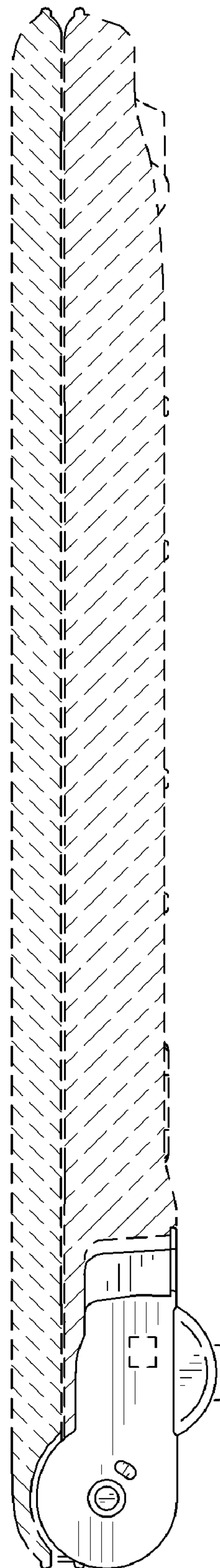


FIG. 10

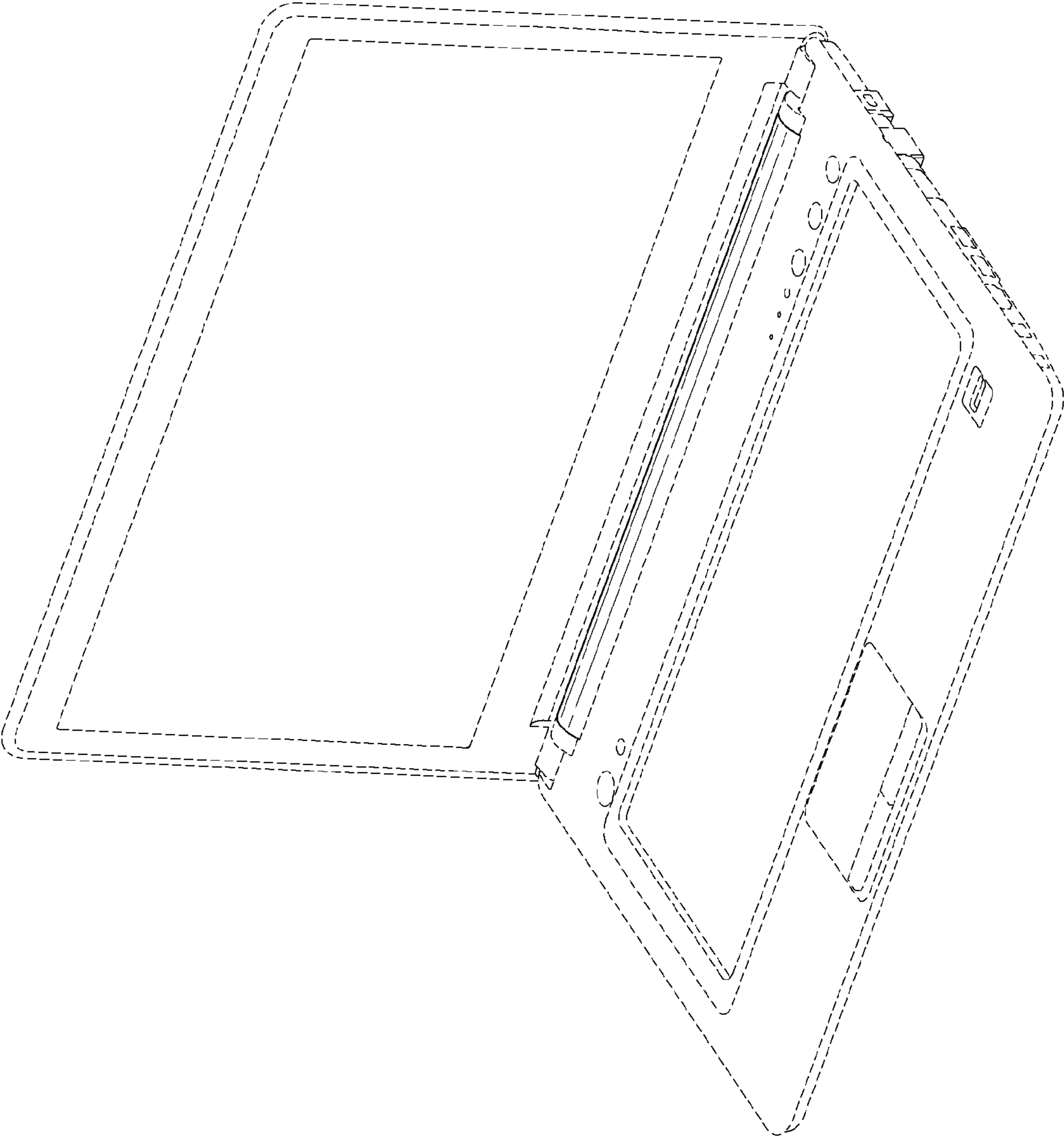


FIG. 11