



US00D616358S

(12) **United States Design Patent**
Miyazaki

(10) **Patent No.:** **US D616,358 S**
(45) **Date of Patent:** **** *May 25, 2010**

(54) **TIRE**

FOREIGN PATENT DOCUMENTS

(75) Inventor: **Tetsuji Miyazaki**, Osaka (JP)

JP 1138302 4/2002

(73) Assignee: **Toyo Tire & Rubber Co., Ltd.**, Osaka (JP)

(Continued)

(**) Term: **14 Years**

OTHER PUBLICATIONS

(21) Appl. No.: **29/329,518**

U.S. Appl. No. 29/327,192, Takahashi, Tire, filed Oct. 31, 2008.

(22) Filed: **Dec. 16, 2008**

(Continued)

(30) **Foreign Application Priority Data**

Aug. 1, 2008 (JP) 2008-019945

Primary Examiner—Stacia Cadmus

(74) *Attorney, Agent, or Firm*—Sterne Kessler Goldstein & Fox PLLC

(51) **LOC (9) Cl.** **12-15**

(57) **CLAIM**

(52) **U.S. Cl.** **D12/601**

The ornamental design for a tire, as shown and described.

(58) **Field of Classification Search** D12/579–580,
D12/569–603, 563–565, 900–901; 152/209.1,
152/209.8–209.19, 209.25–209.28

DESCRIPTION

See application file for complete search history.

FIG. 1 is a perspective view of a tire showing my new design; FIG. 2 is a front view thereof, the rear view being a mirror image thereof;

(56) **References Cited**

U.S. PATENT DOCUMENTS

D390,515 S *	2/1998	Godsey et al.	D12/600
D421,584 S *	3/2000	Lovell et al.	D12/600
D450,267 S *	11/2001	Dixon et al.	D12/600
D484,093 S	12/2003	Masuko		
D485,803 S *	1/2004	Hutz et al.	D12/601
D488,434 S *	4/2004	Renner et al.	D12/600
D490,050 S *	5/2004	Kindig et al.	D12/601
D497,592 S *	10/2004	Lassan et al.	D12/601
D527,339 S *	8/2006	Lassan et al.	D12/600
D529,435 S *	10/2006	Dumigan et al.	D12/600
D563,863 S *	3/2008	Campana	D12/600
D585,364 S *	1/2009	Shondel et al.	D12/600
D596,114 S *	7/2009	Kawakami et al.	D12/601
D600,635 S *	9/2009	Finnell et al.	D12/601

FIG. 3 is a top plan view thereof, the bottom plan view being a mirror image thereof;

FIG. 4 is a left side view thereof;

FIG. 5 is a right side view thereof;

FIG. 6 is an enlarged sectional view of the intersection of areas 6—6 and 6'—6' in FIG. 2;

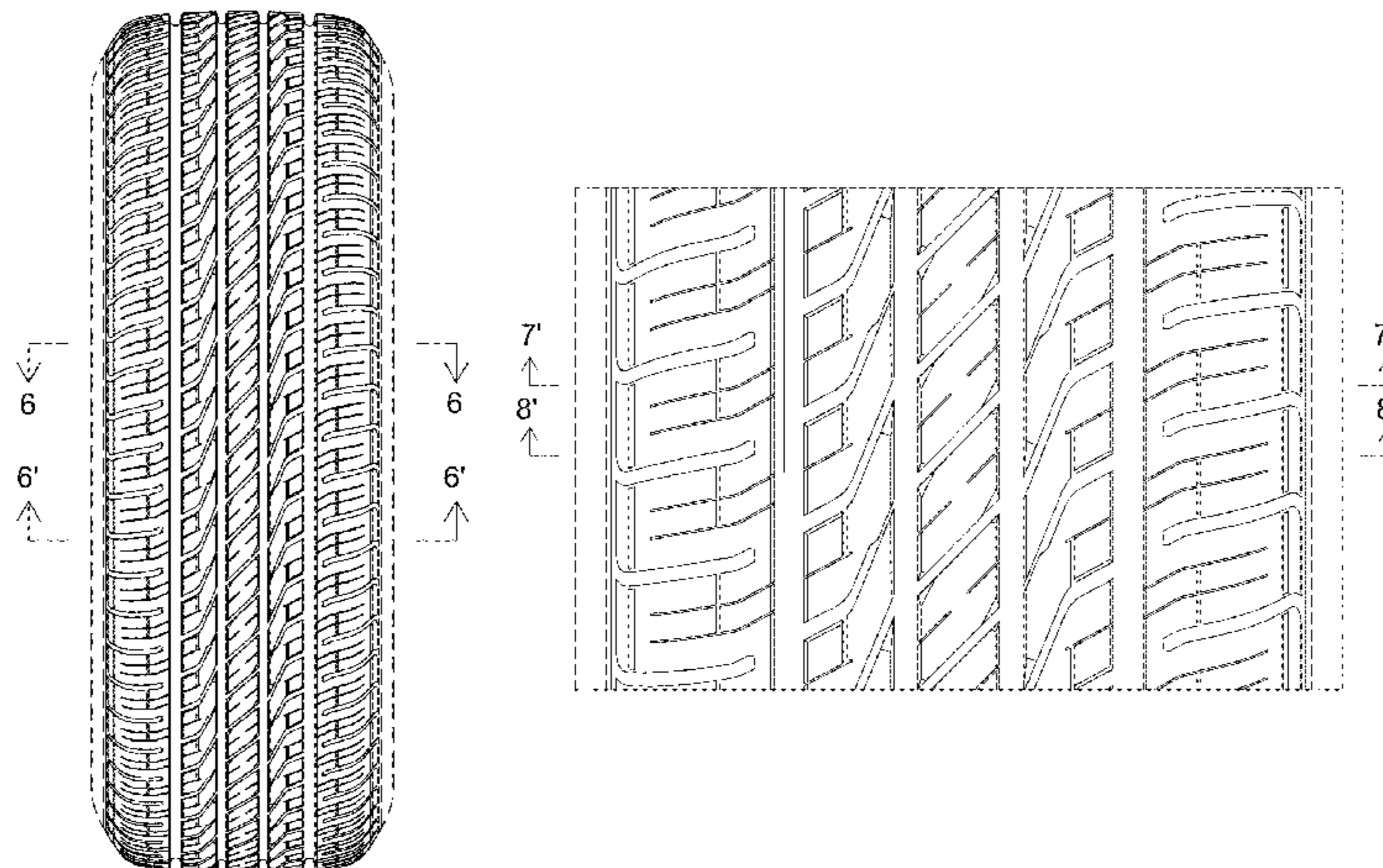
FIG. 7 is a cross-sectional view taken along line 7,8—7,8 in FIG. 5 and 7'—7' in FIG. 6; and,

FIG. 8 is a cross-sectional view taken along line 7,8—7,8 in FIG. 5 and 8'—8' in FIG. 6.

In the drawings, the broken lines defining the sidewall, inner bead and the peripheral boundary between the claimed tire tread and the unclaimed sidewall depict environmental subject matter that forms no part of the claimed design.

(Continued)

1 Claim, 8 Drawing Sheets



US D616,358 S

Page 2

U.S. PATENT DOCUMENTS

D602,853 S * 10/2009 Nopper et al. D12/600

FOREIGN PATENT DOCUMENTS

JP 1279585 8/2006

OTHER PUBLICATIONS

U.S. Appl. No. 29/327,369, Takahashi, Tire, filed Nov. 4, 2008.

U.S. Appl. No. 29/327,606, Ohashi, Tire, filed Nov. 10, 2008.

U.S. Appl. No. 29/327,610, Kaji, Tire, filed Nov. 10, 2008.

U.S. Appl. No. 29/327,622, Osaka, Tire, filed Nov. 10, 2008.

U.S. Appl. No. 29/327,624, Osaka, Tire, filed Nov. 10, 2008.

U.S. Appl. No. 29/327,628, Osaka, Tire, filed Nov. 10, 2008.

U.S. Appl. No. 29/329,515, Ohashi, Tire, filed Dec. 16, 2008.

U.S. Appl. No. 29/329,517, Ohara, Tire, filed Dec. 16, 2008.

U.S. Appl. No. 29/329,519, Ohashi, Tire, filed Dec. 16, 2008.

* cited by examiner

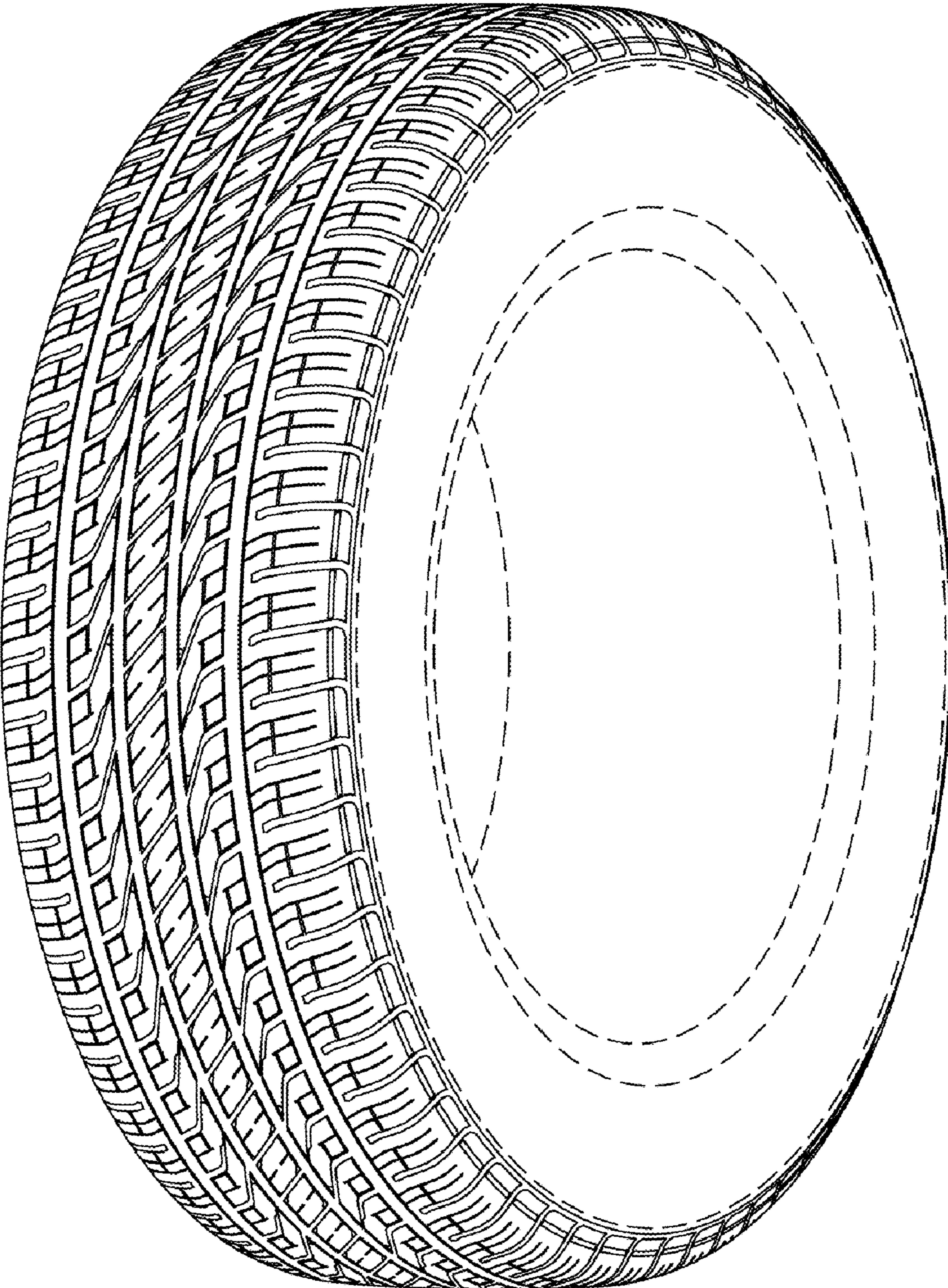


FIG. 1

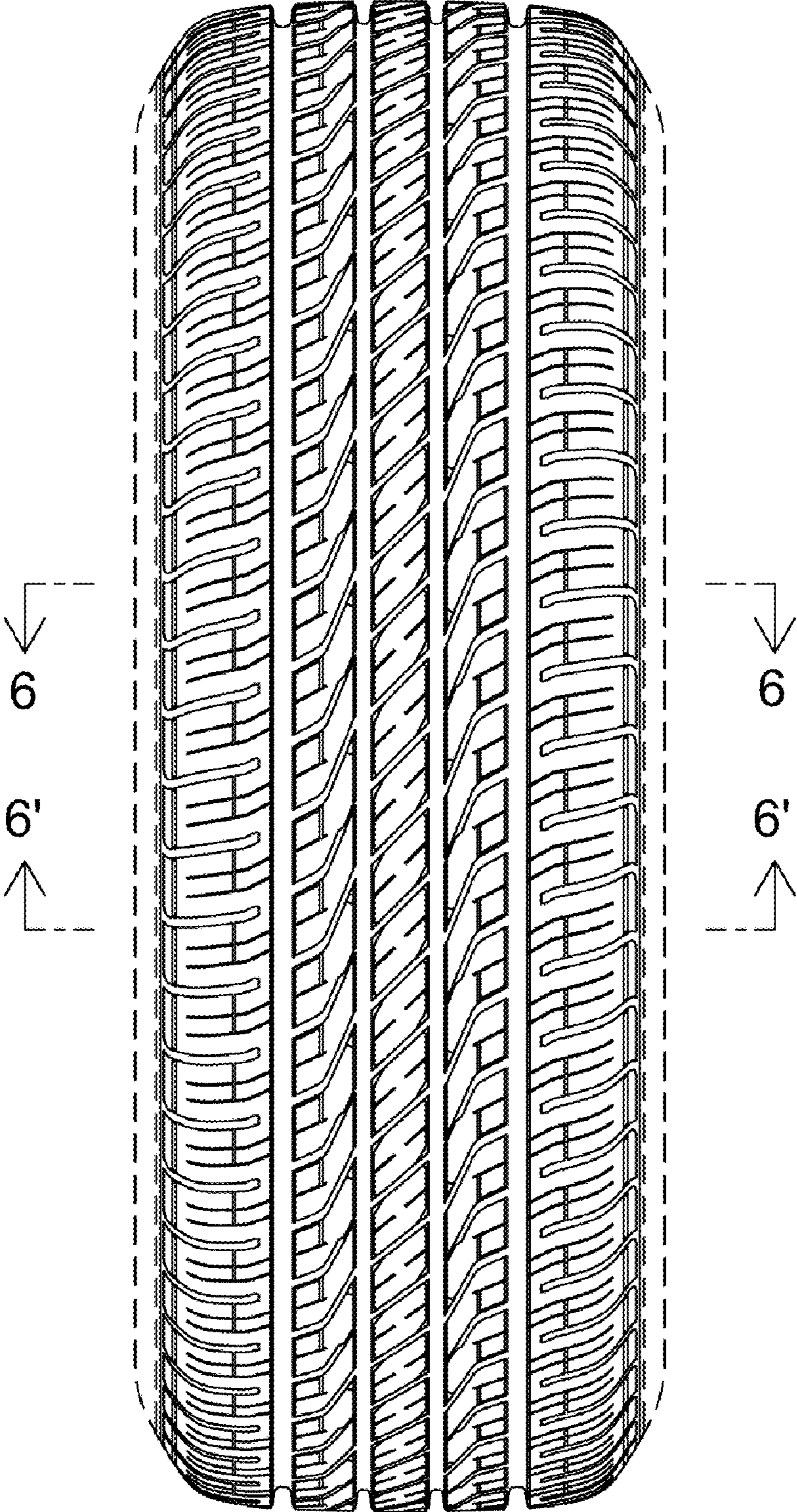


FIG. 2

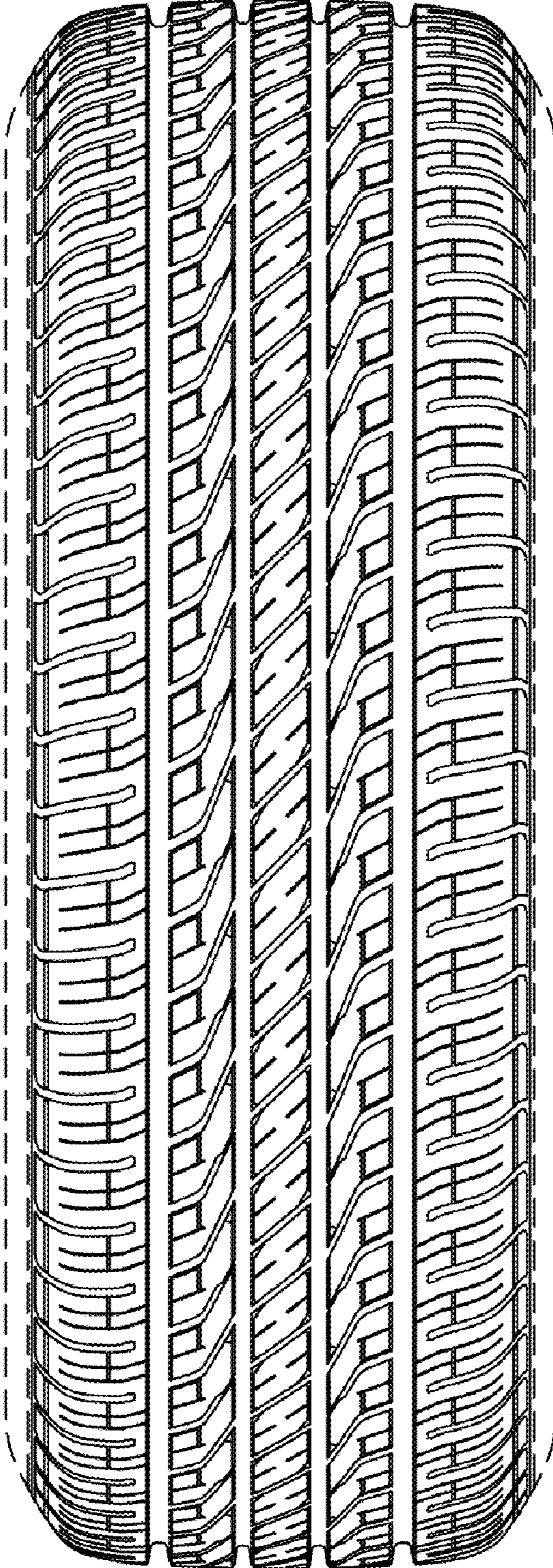


FIG. 3

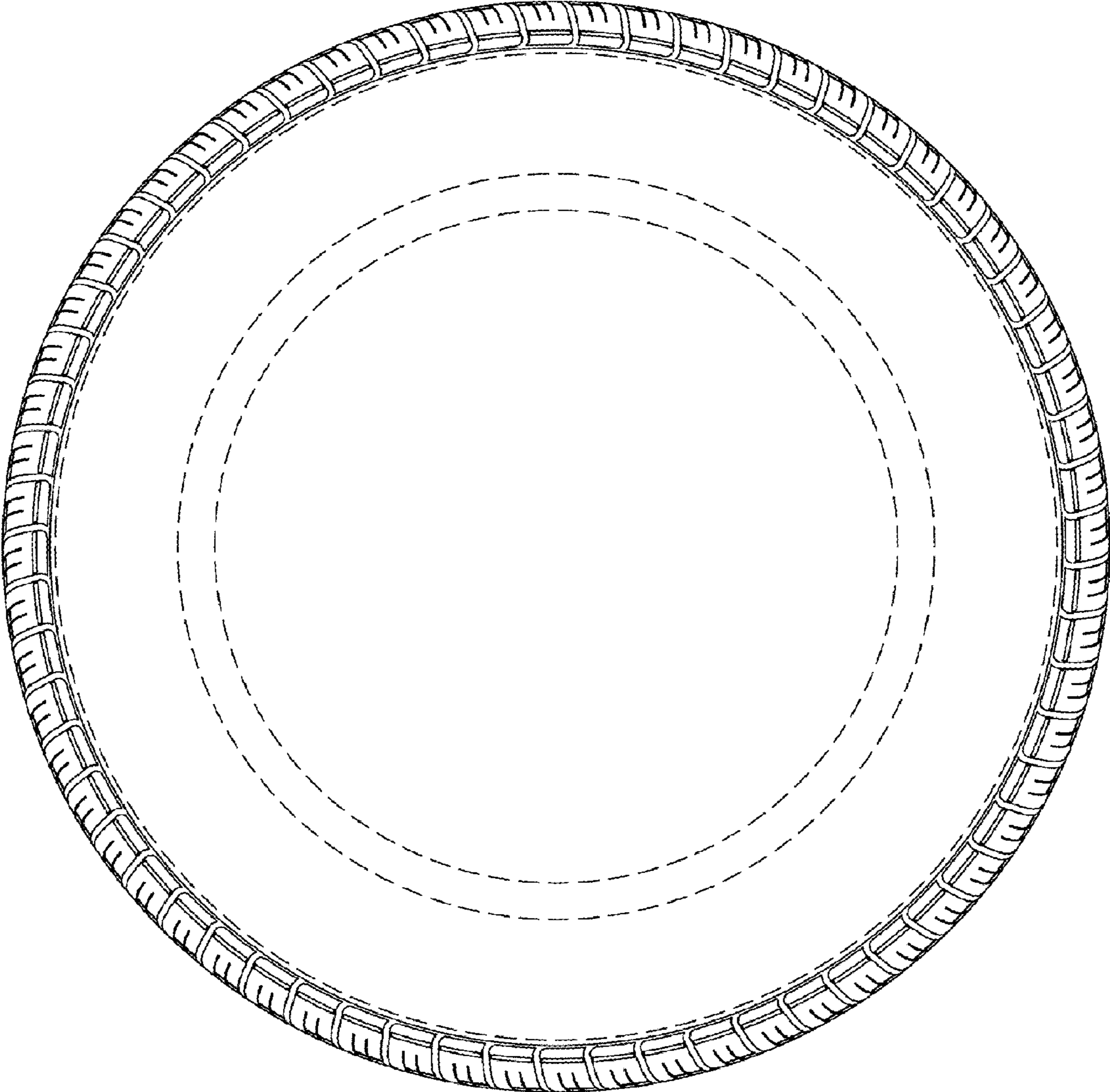


FIG. 4

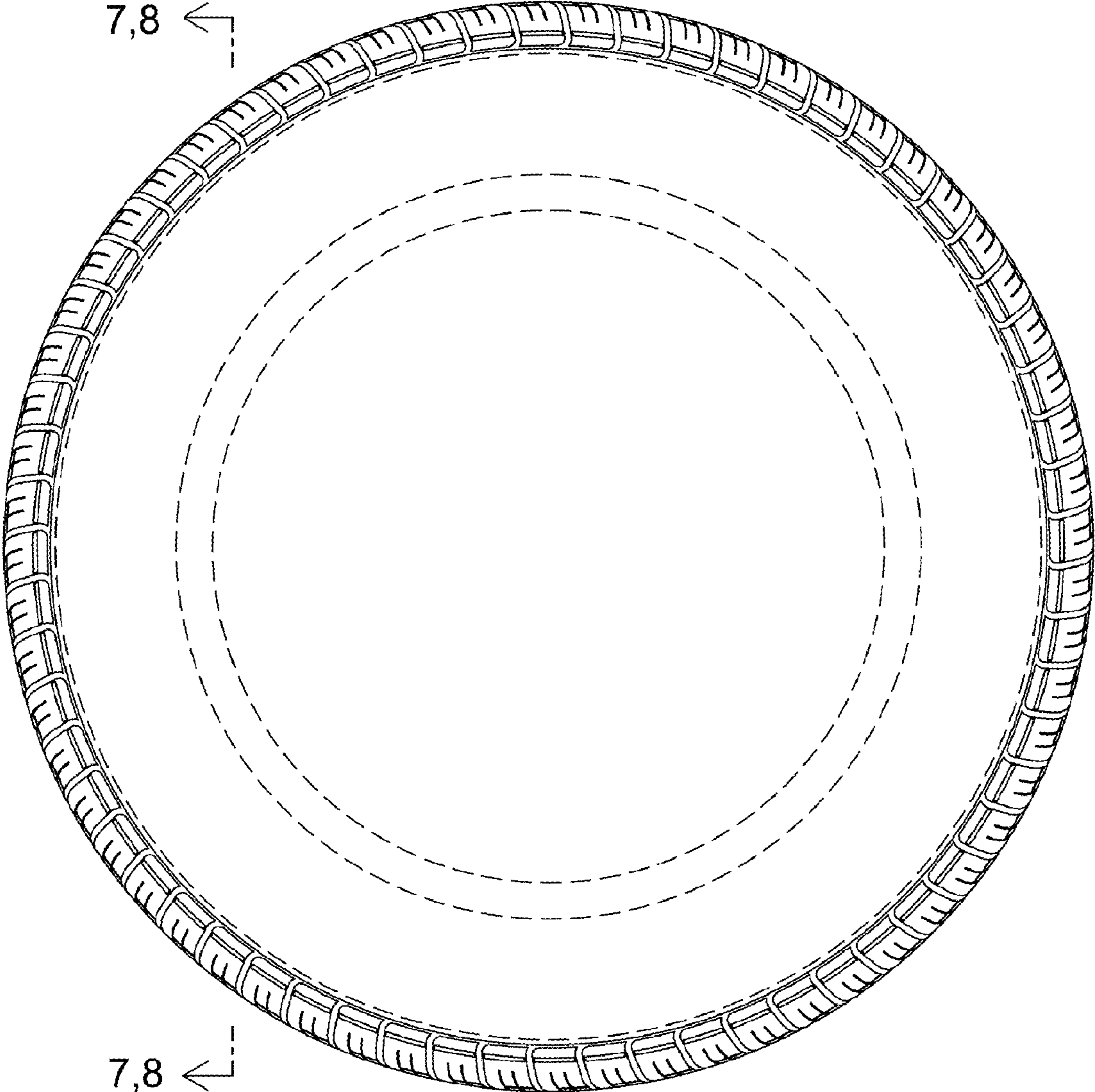


FIG. 5

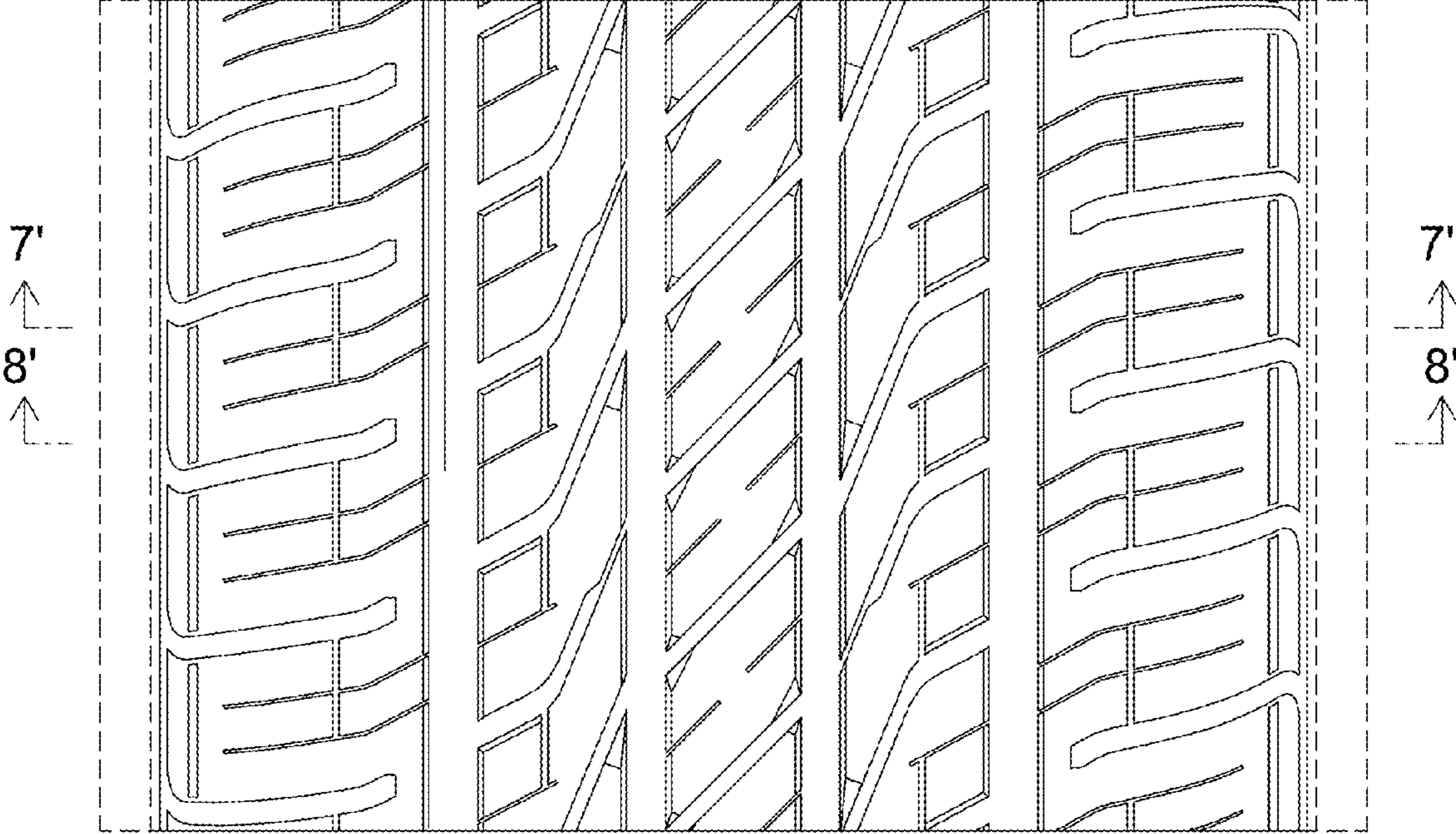


FIG. 6

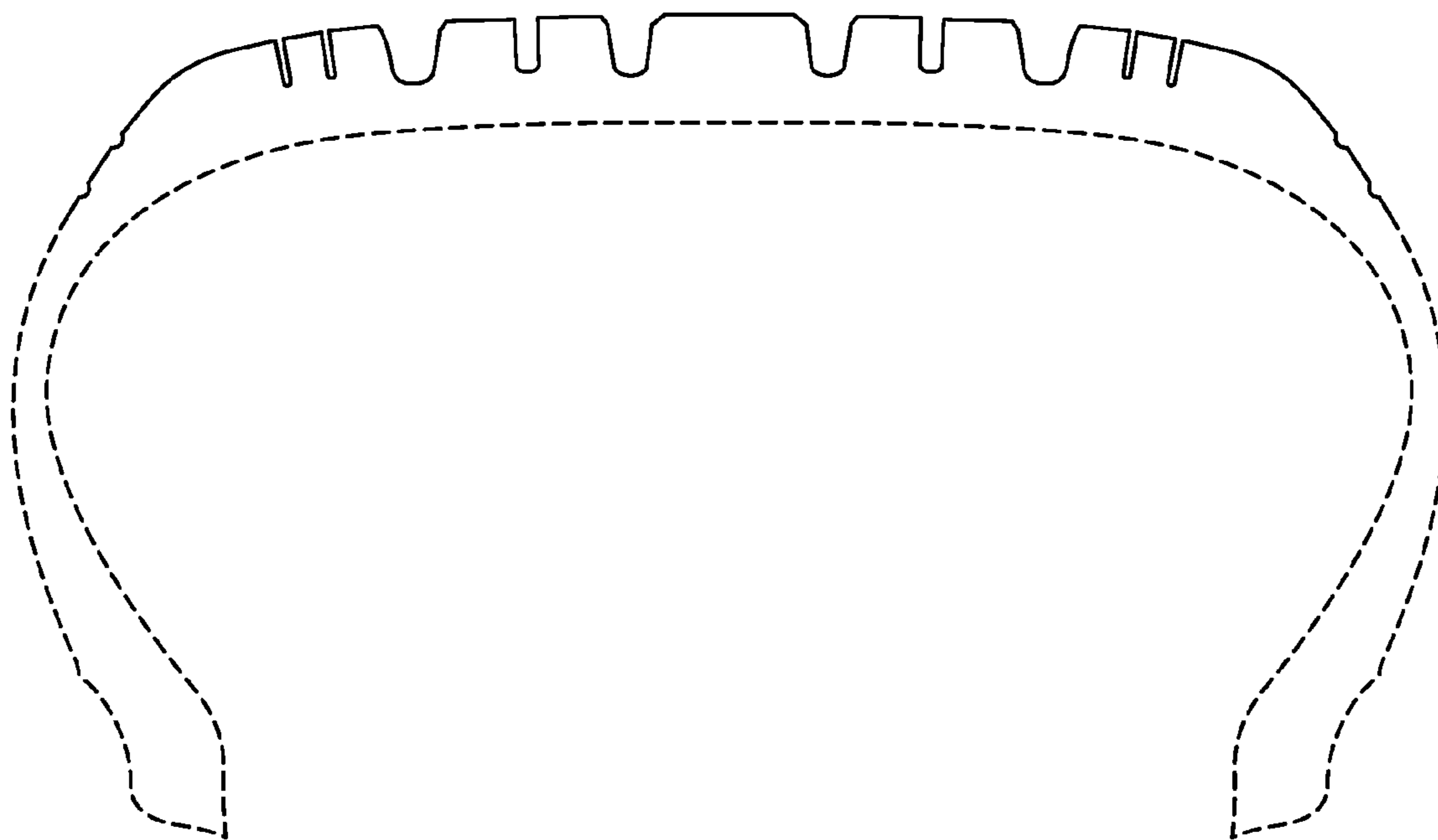


FIG. 7

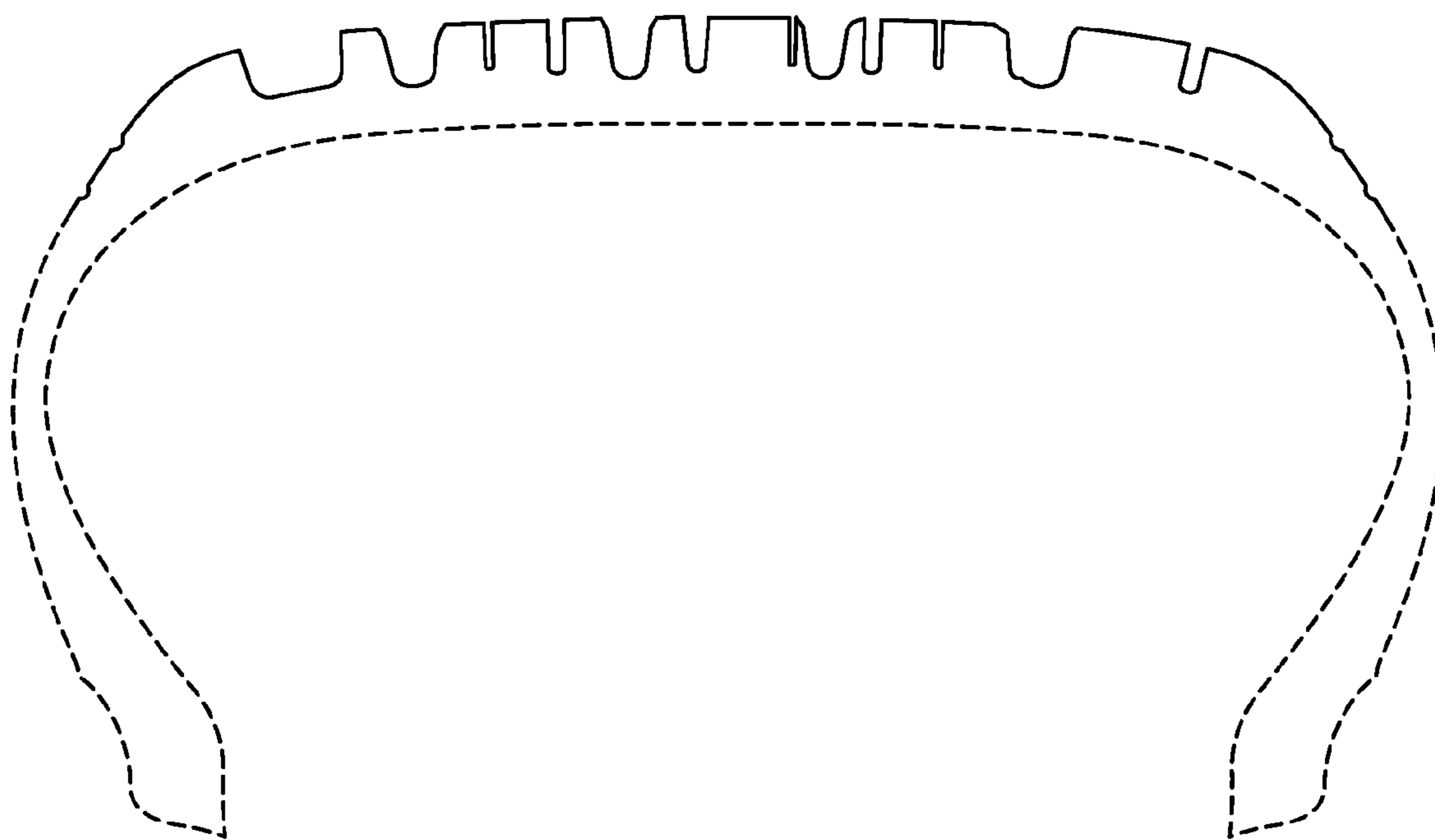


FIG. 8