



US00D616356S

(12) **United States Design Patent**
Ohara

(10) **Patent No.:** **US D616,356 S**

(45) **Date of Patent:** **** *May 25, 2010**

(54) **AUTOMOBILE TIRE**

(75) Inventor: **Masaaki Ohara**, Osaka (JP)

(73) Assignee: **Toyo Tire & Rubber Co., Ltd.**, Osaka (JP)

(*) Notice: This patent is subject to a terminal disclaimer.

(**) Term: **14 Years**

(21) Appl. No.: **29/319,311**

(22) Filed: **Jun. 6, 2008**

(30) **Foreign Application Priority Data**

Dec. 6, 2007 (JP) 2007-036355

(51) **LOC (9) Cl.** **12-15**

(52) **U.S. Cl.** **D12/588**

(58) **Field of Classification Search** D12/568-603;
152/209.1, 209.8, 209.9, 209.12, 209.18,
152/209.25

See application file for complete search history.

(56) **References Cited**

U.S. PATENT DOCUMENTS

D382,235 S *	8/1997	Nelson	D12/588
D424,986 S *	5/2000	Yoshioka	D12/601
D464,614 S *	10/2002	Irimiya	D12/588
D484,092 S	12/2003	Okamoto		
D498,455 S *	11/2004	Nonaka	D12/579
D500,287 S *	12/2004	Gojo	D12/586
D502,444 S *	3/2005	Wage	D12/588
D554,576 S *	11/2007	Suzuki	D12/588

FOREIGN PATENT DOCUMENTS

JP D1179662 S 7/2003

JP D1205229 S 5/2004

* cited by examiner

Primary Examiner—Caron Veynar

Assistant Examiner—George D Kirschbaum

(74) *Attorney, Agent, or Firm*—Westerman, Hattori, Daniels & Adrian, LLP

(57) **CLAIM**

The ornamental design for an automobile tire, as shown and described.

DESCRIPTION

FIG. 1 is a front view of the automobile tire;

FIG. 2 is a rear view of the automobile tire;

FIG. 3 is a left-side view of the automobile tire;

FIG. 4 is a right-side view of the automobile tire;

FIG. 5 is a perspective view of the automobile tire;

FIG. 6 is an enlarged view shown between lines 6—6 and 6'—6';

FIG. 7 is a cross-section view taken along the line 7—7 in FIG. 6;

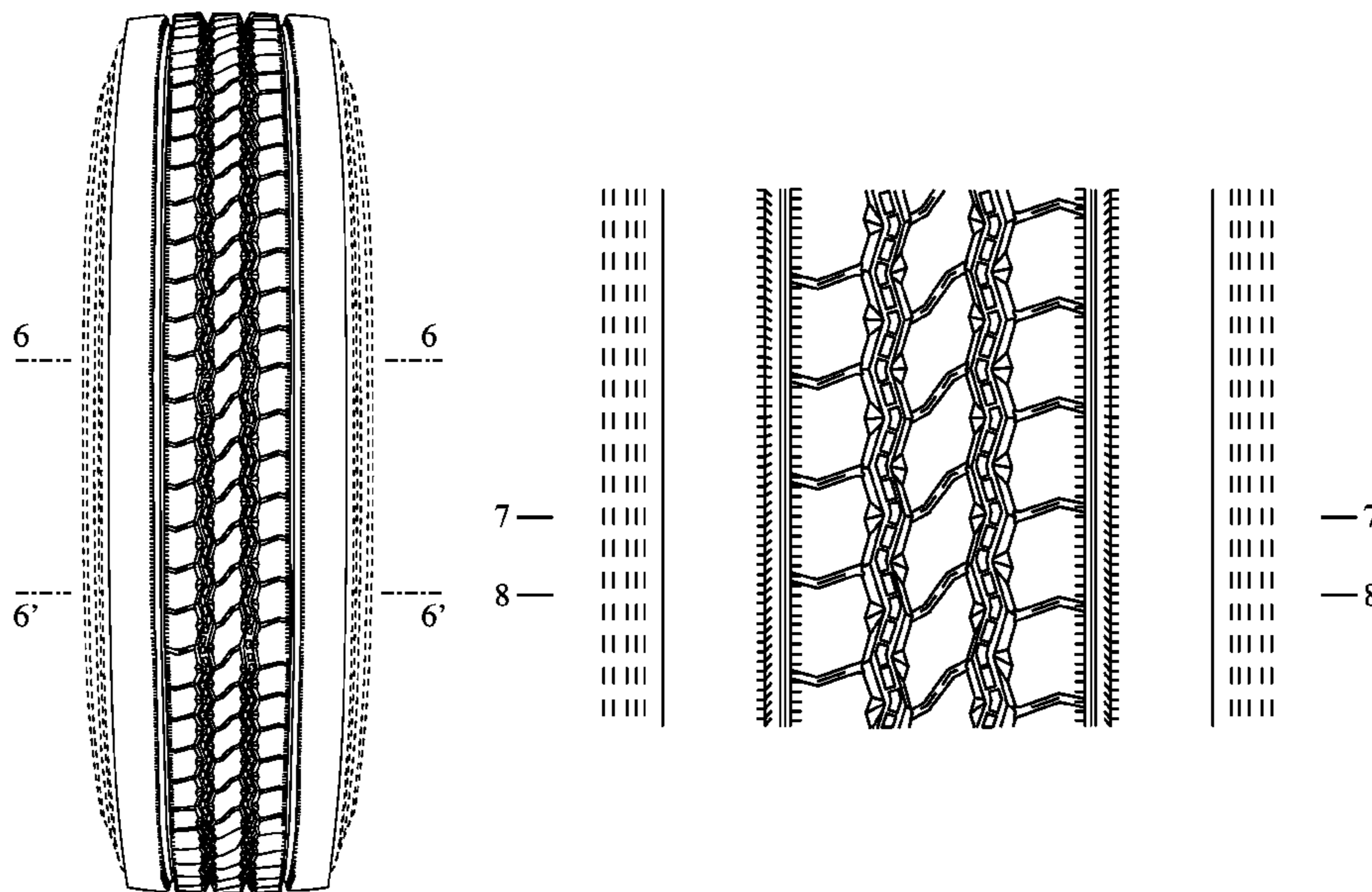
FIG. 8 is a cross-section view taken along the line 8—8 in FIG. 6;

FIG. 9 is a partly enlarged perspective view shown between lines 9-9' and 9"-9" of FIG. 2; and,

FIG. 10 is a partly enlarged perspective view of the groove and pebble ejection blocks of the tread shown between lines 10—10 and 10'—10' of FIG. 9.

In the drawings, the broken lines defining the sidewall, inner bead and the peripheral boundary between the claimed tire tread and the unclaimed sidewall depict environmental subject matter that forms no part of the claimed design.

1 Claim, 10 Drawing Sheets



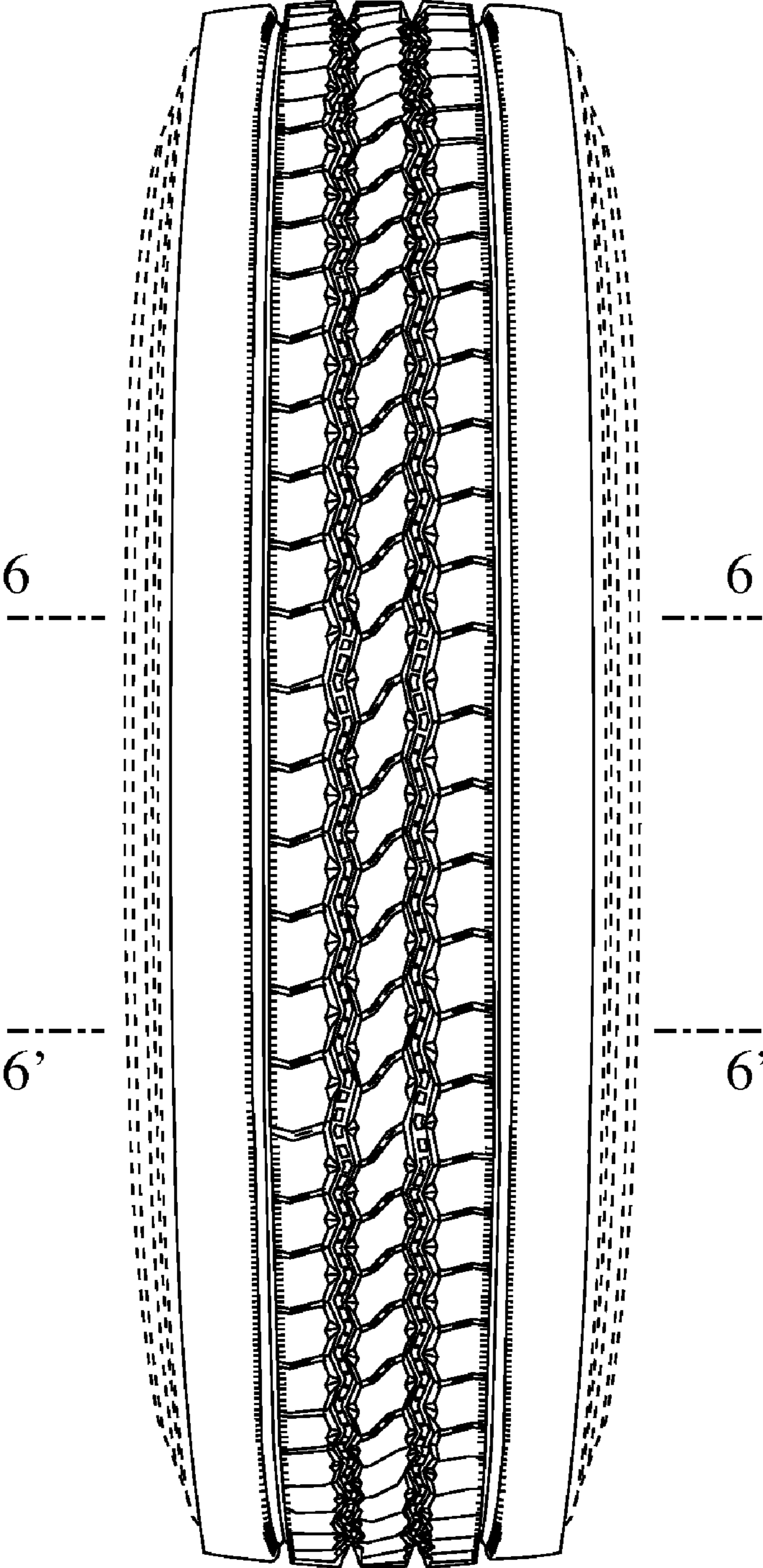


FIG.1

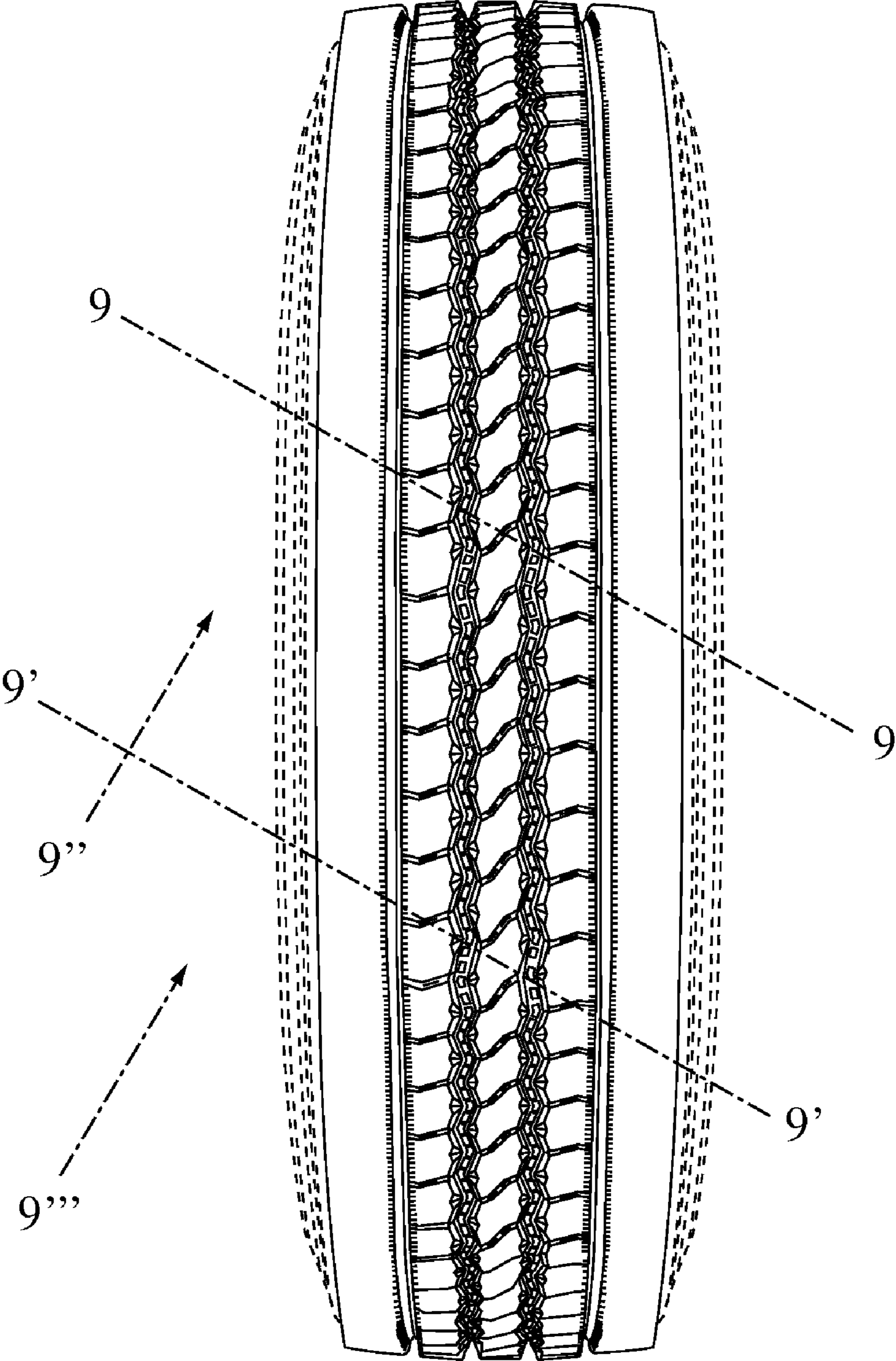


FIG.2

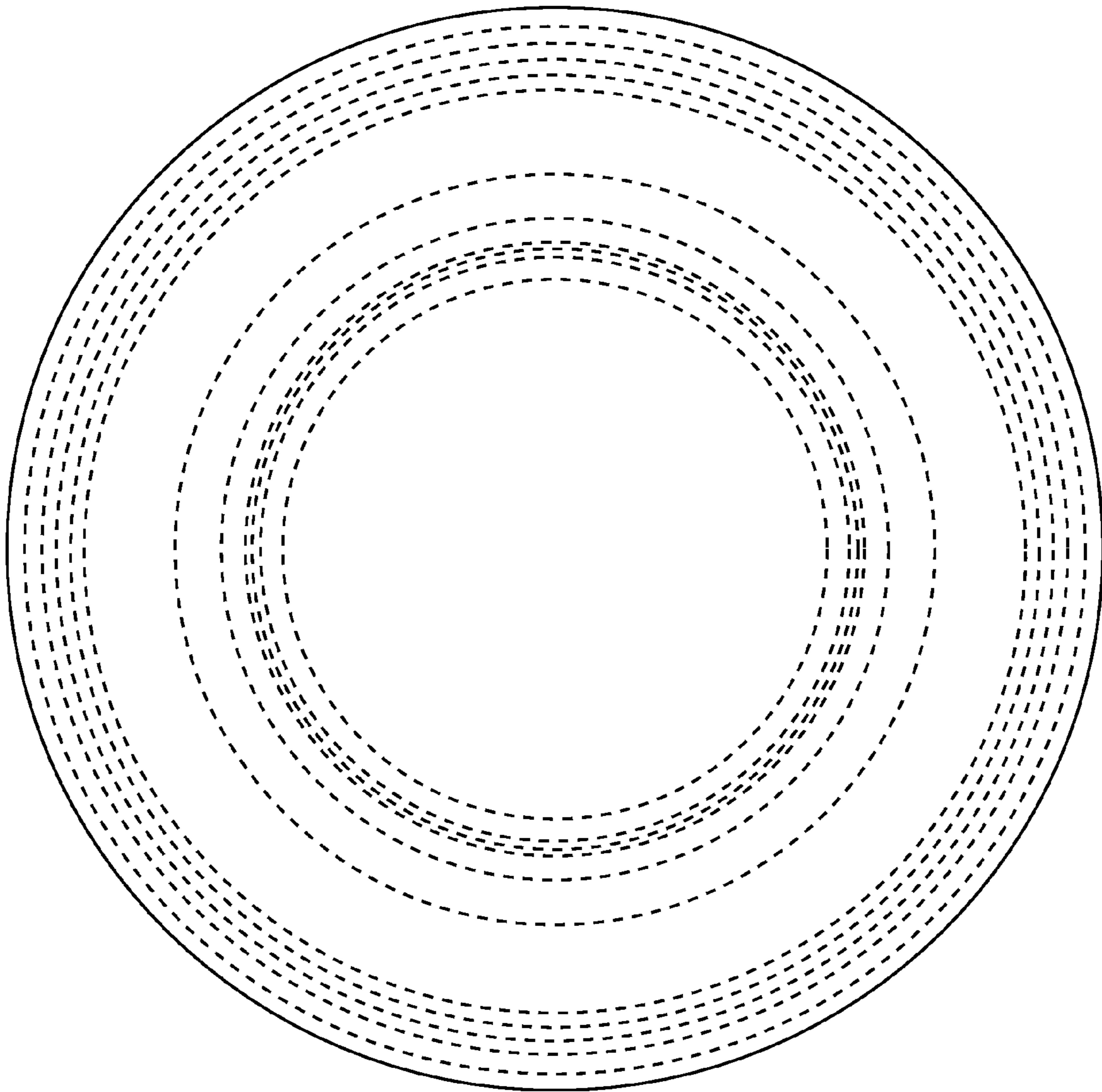


FIG.3

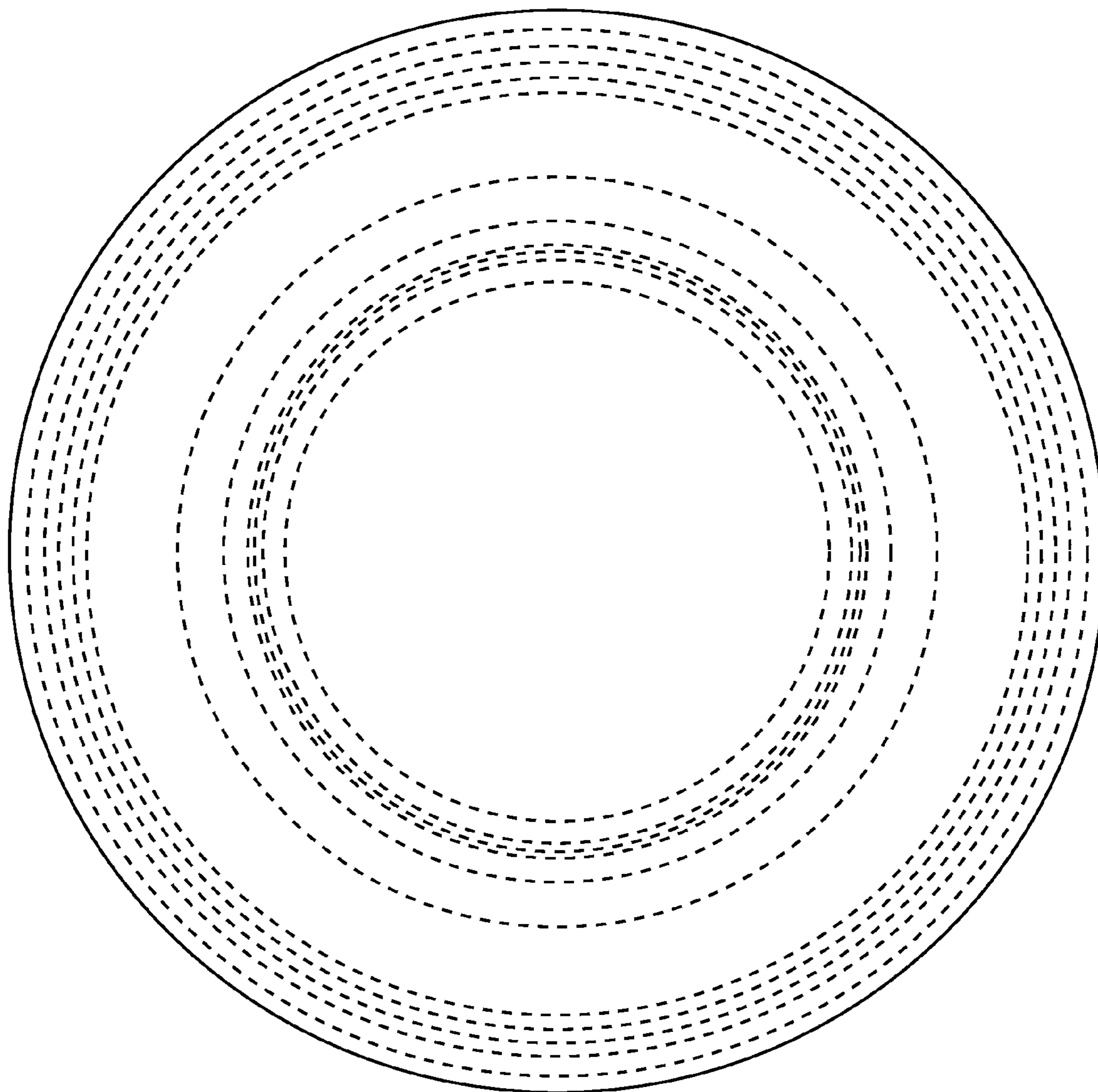


FIG.4

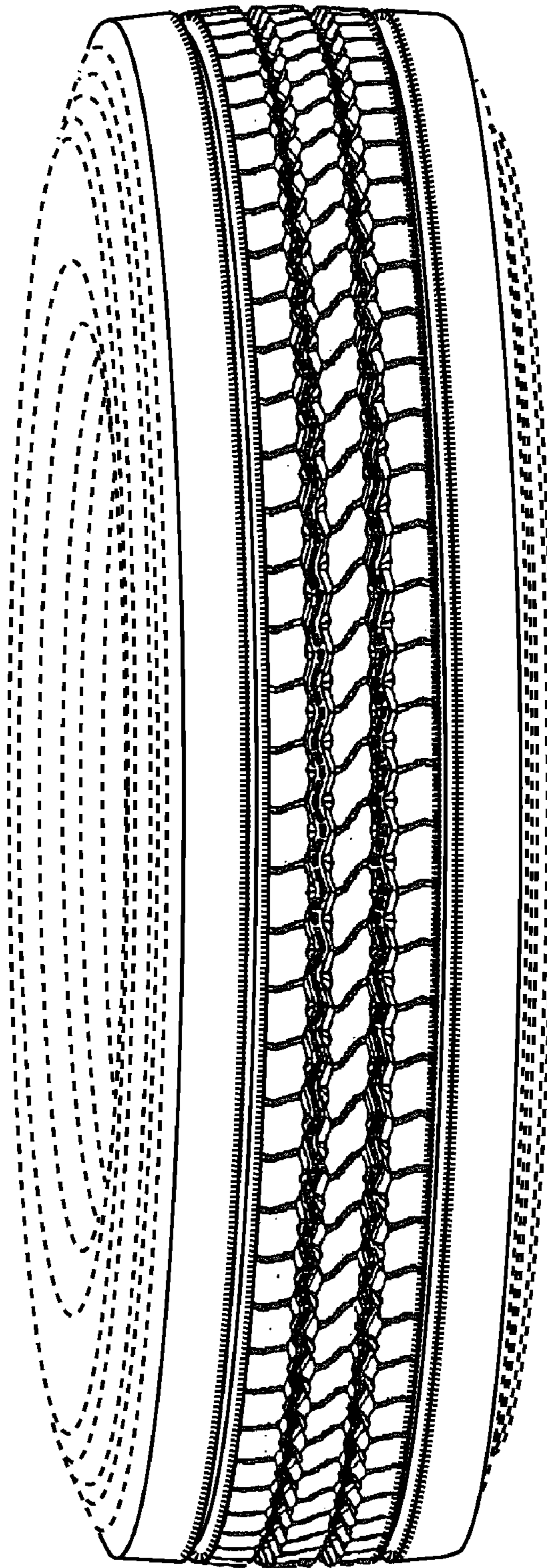


FIG. 5

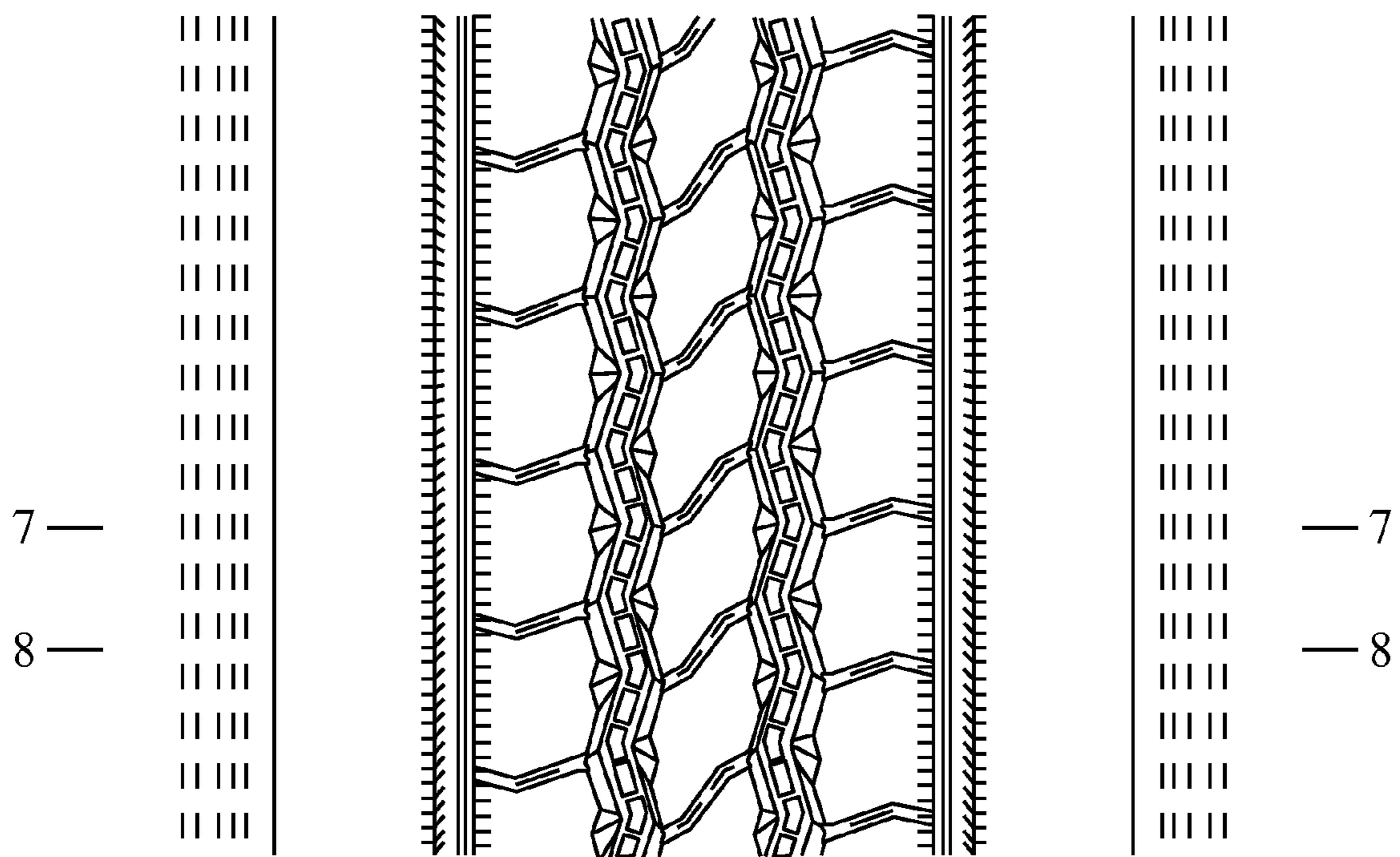


FIG. 6

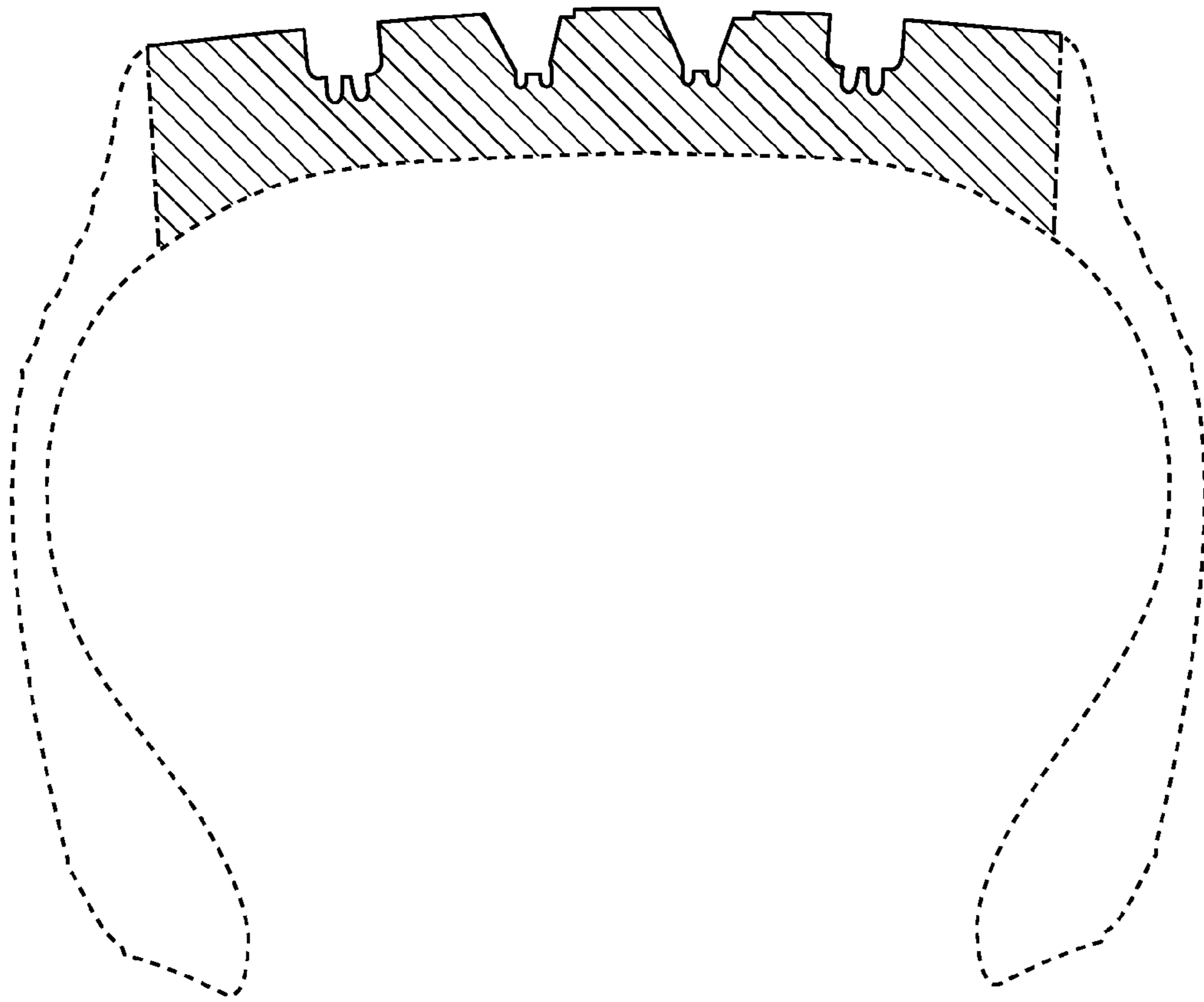


FIG.7

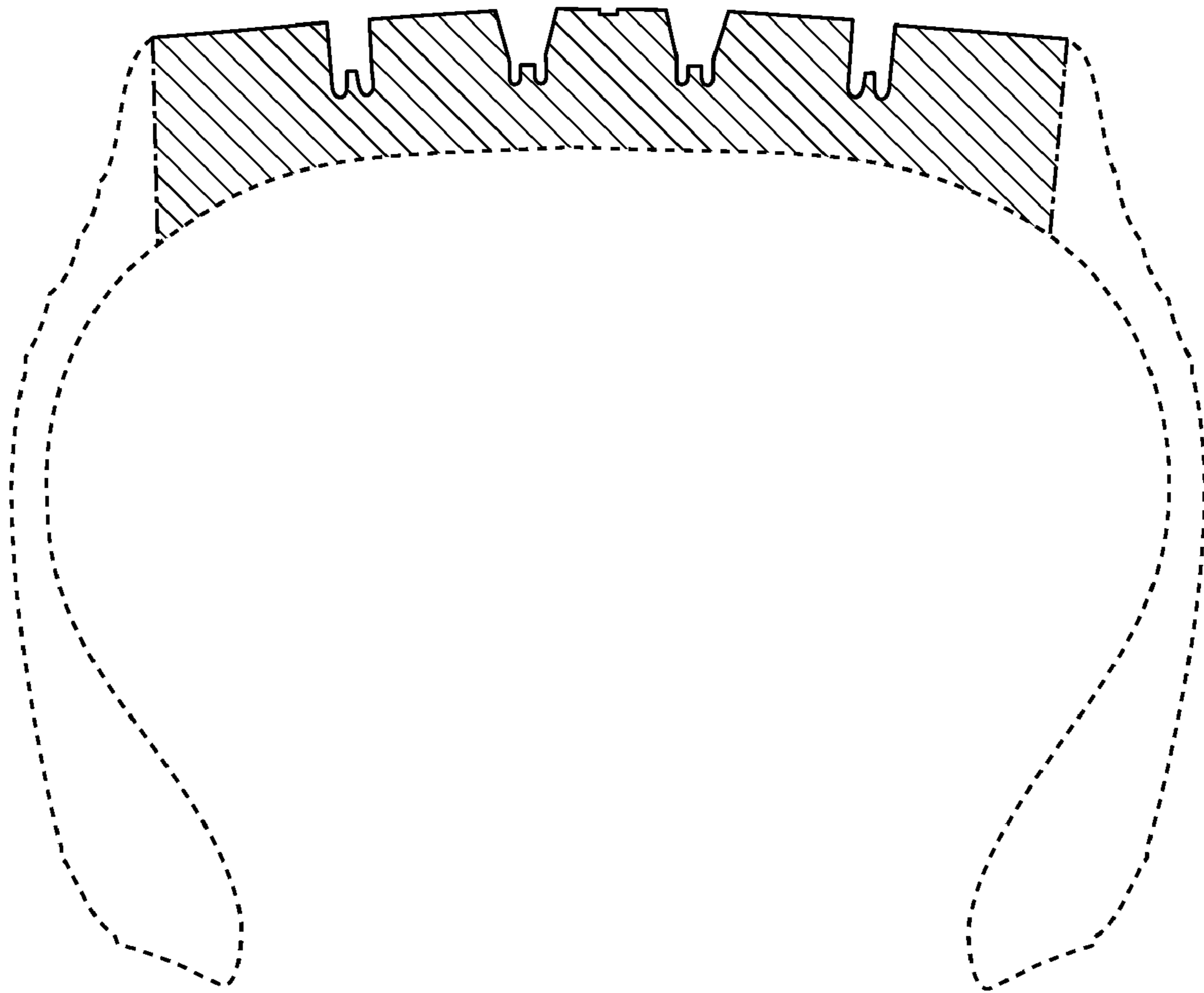


FIG.8

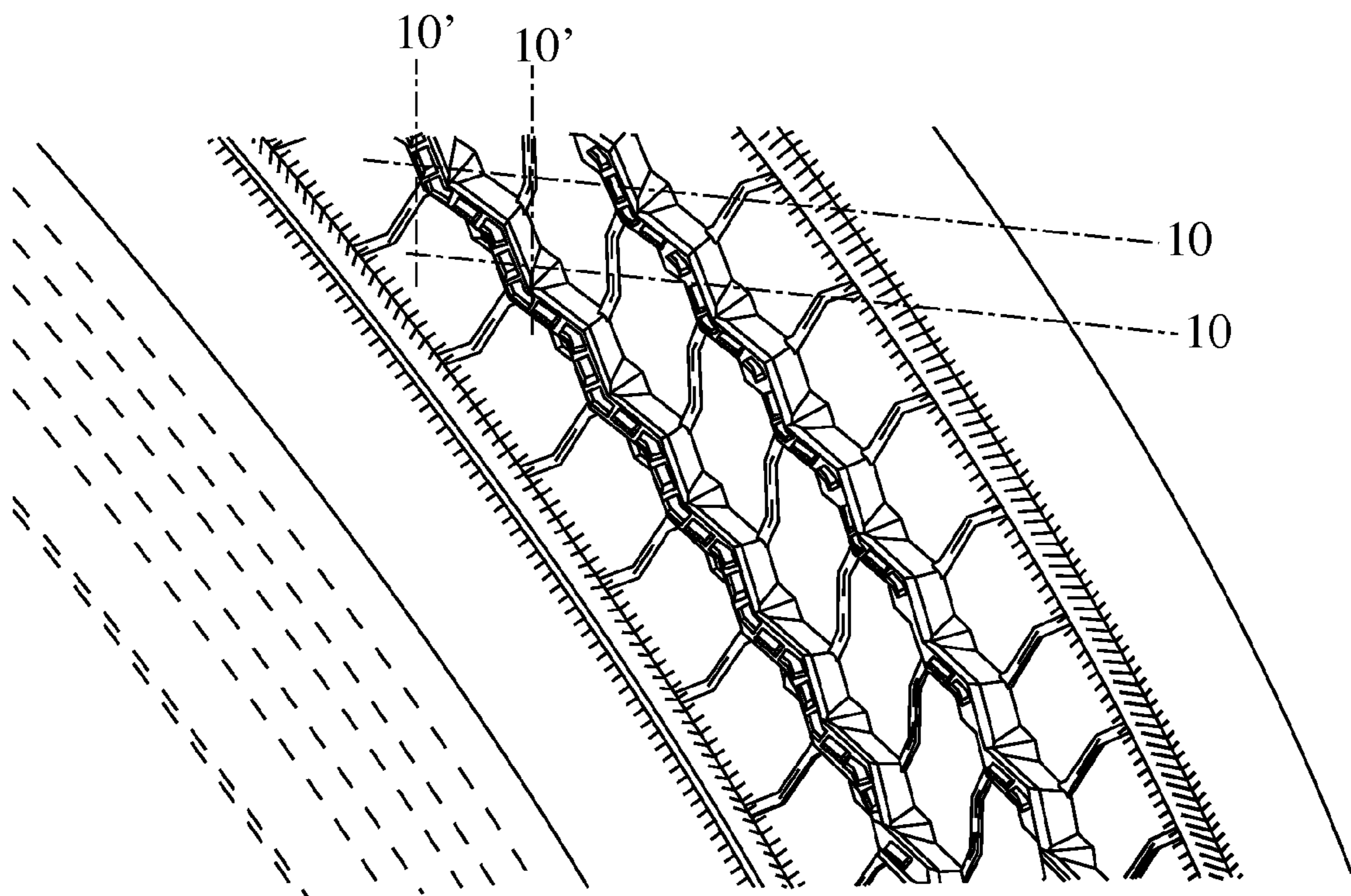


FIG.9

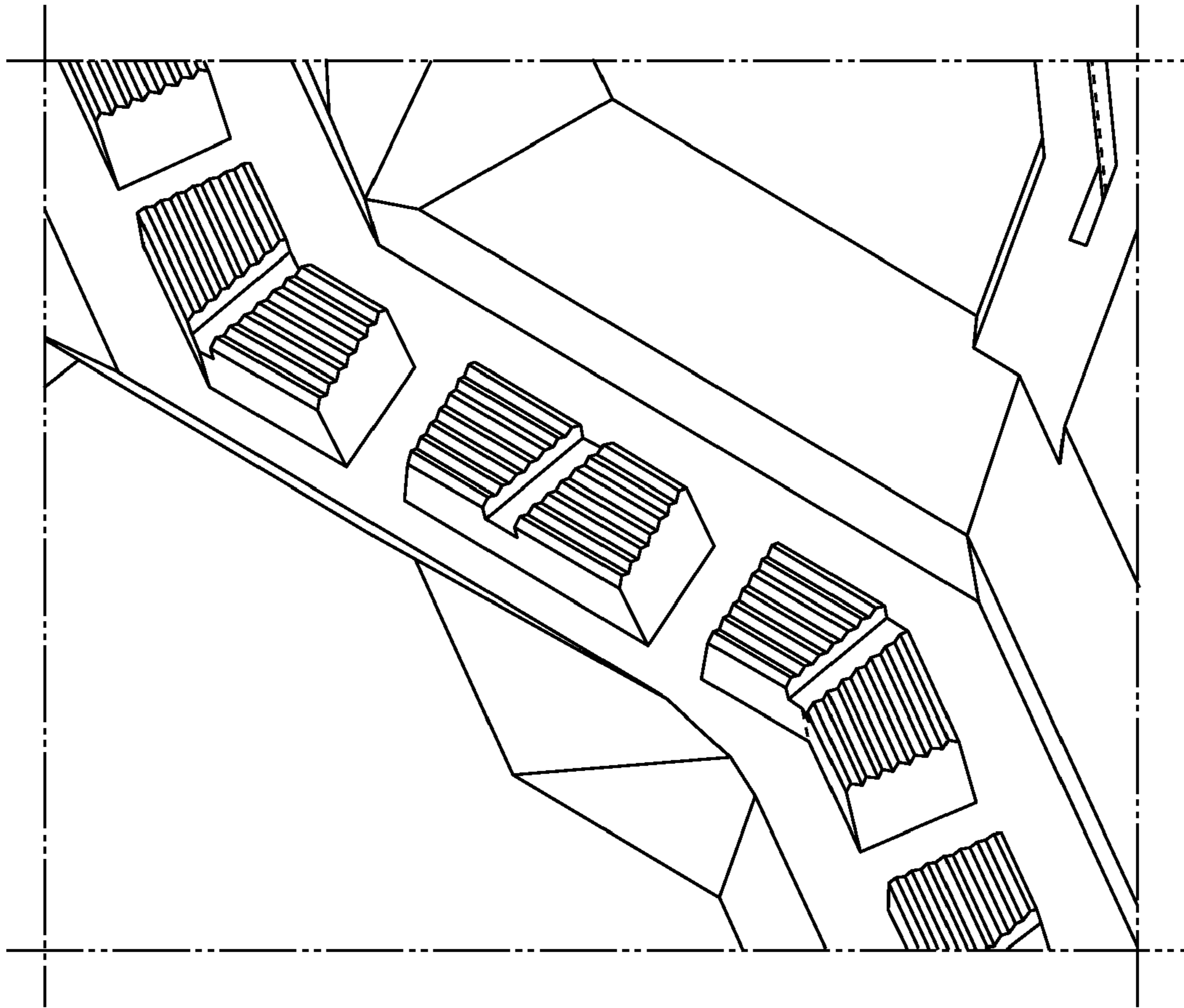


FIG.10