



US00D616349S

(12) **United States Design Patent**  
**Kim**

(10) **Patent No.:** **US D616,349 S**

(45) **Date of Patent:** **\*\* May 25, 2010**

(54) **AUTOMOTIVE WHEEL**

(75) Inventor: **Paul J. Kim**, Industry, CA (US)

(73) Assignee: **The Wheel Group**, Industry, CA (US)

(\*\*) Term: **14 Years**

(21) Appl. No.: **29/348,447**

(22) Filed: **Jan. 7, 2010**

(51) **LOC (9) Cl.** ..... **12-16**

(52) **U.S. Cl.** ..... **D12/209**

(58) **Field of Classification Search** ..... D12/204–213;  
301/37.101, 64.101, 65, 64.201  
See application file for complete search history.

(56) **References Cited**

**U.S. PATENT DOCUMENTS**

D412,692 S *	8/1999	Hussaini	.....	D12/209
D414,738 S *	10/1999	Escue	.....	D12/209
D459,689 S *	7/2002	Hieke	.....	D12/211
D486,437 S *	2/2004	Hieke	.....	D12/211
D486,770 S *	2/2004	Pollmann	.....	D12/209
D487,046 S *	2/2004	Yamagishi	.....	D12/209

D492,927 S *	7/2004	Fitzgerald	.....	D12/211
D504,098 S *	4/2005	Gallert	.....	D12/209
D530,258 S *	10/2006	Schell	.....	D12/211
D531,104 S *	10/2006	Kim	.....	D12/209
D544,823 S *	6/2007	Hieke	.....	D12/211
D580,841 S *	11/2008	Gallert	.....	D12/211
D582,330 S *	12/2008	Hieke	.....	D12/209
D596,549 S *	7/2009	Varga	.....	D12/211
D606,477 S *	12/2009	Gelardi et al.	.....	D12/211

\* cited by examiner

*Primary Examiner*—Stacia Cadmus

(57) **CLAIM**

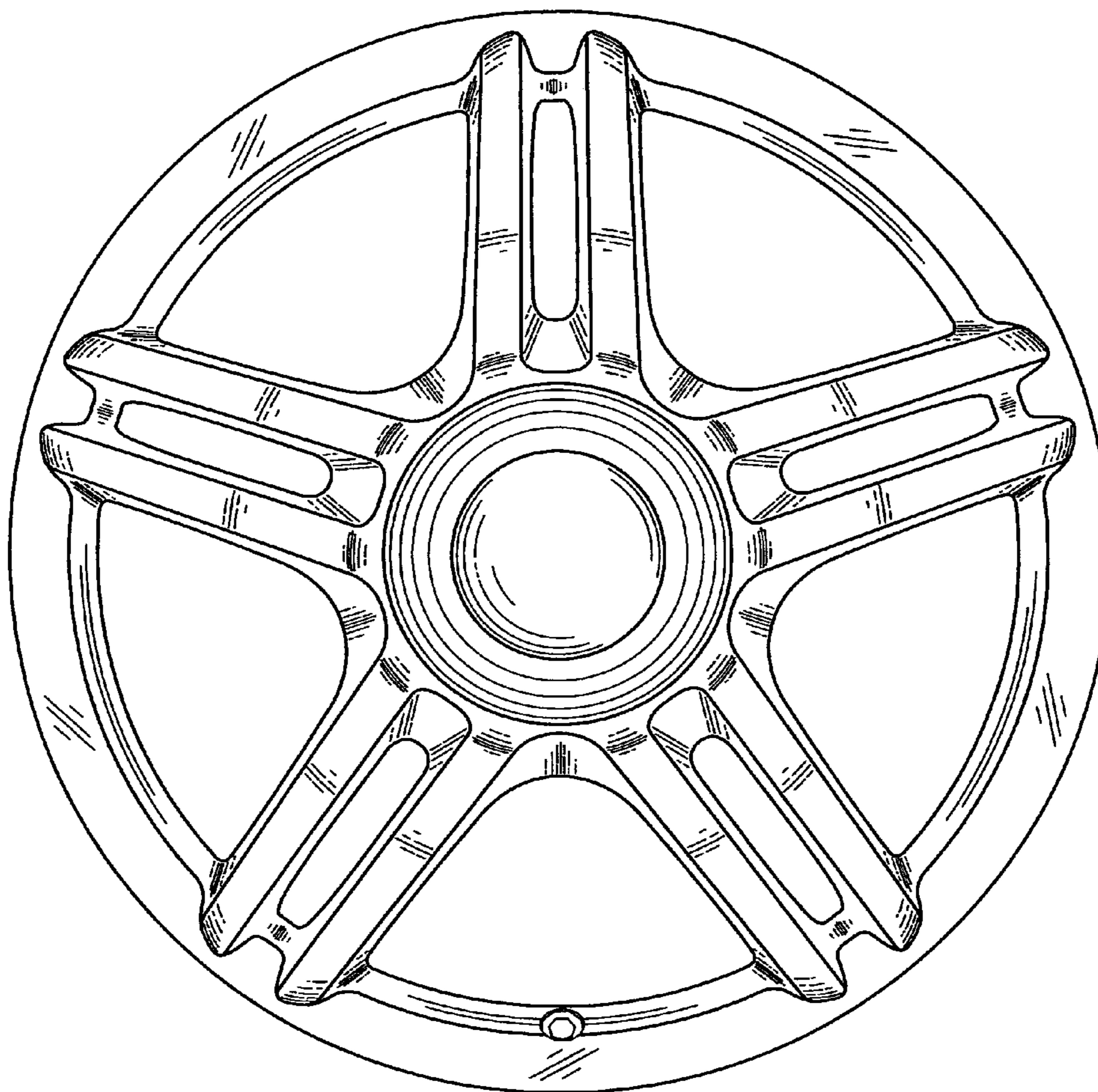
The ornamental design for an automotive wheel, as shown and described.

**DESCRIPTION**

FIG. 1 is a perspective view of an automotive wheel showing my new design; and,

FIG. 2 is a front elevational view of an automotive wheel showing the design herein described.

**1 Claim, 2 Drawing Sheets**



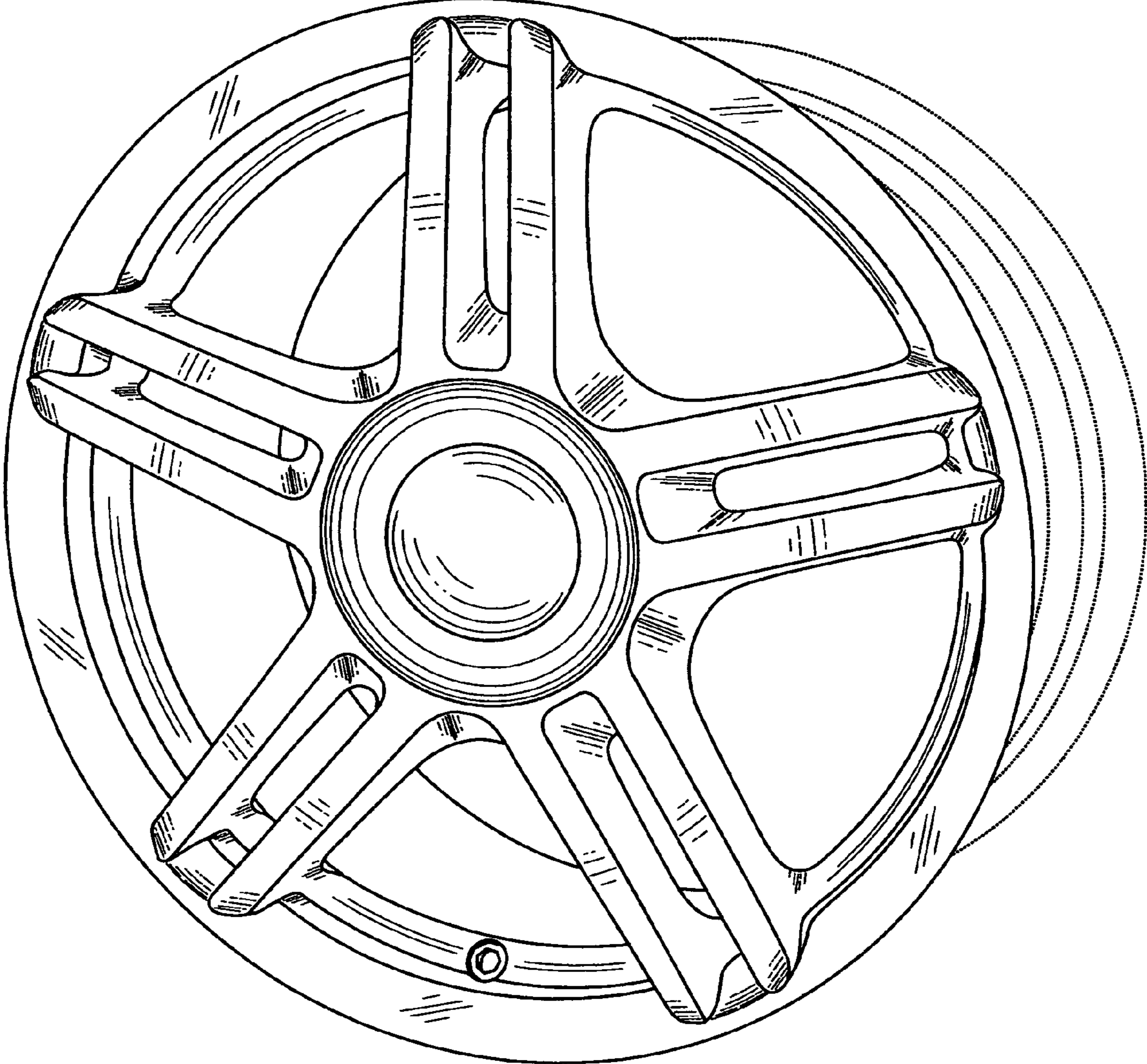


FIG. 1

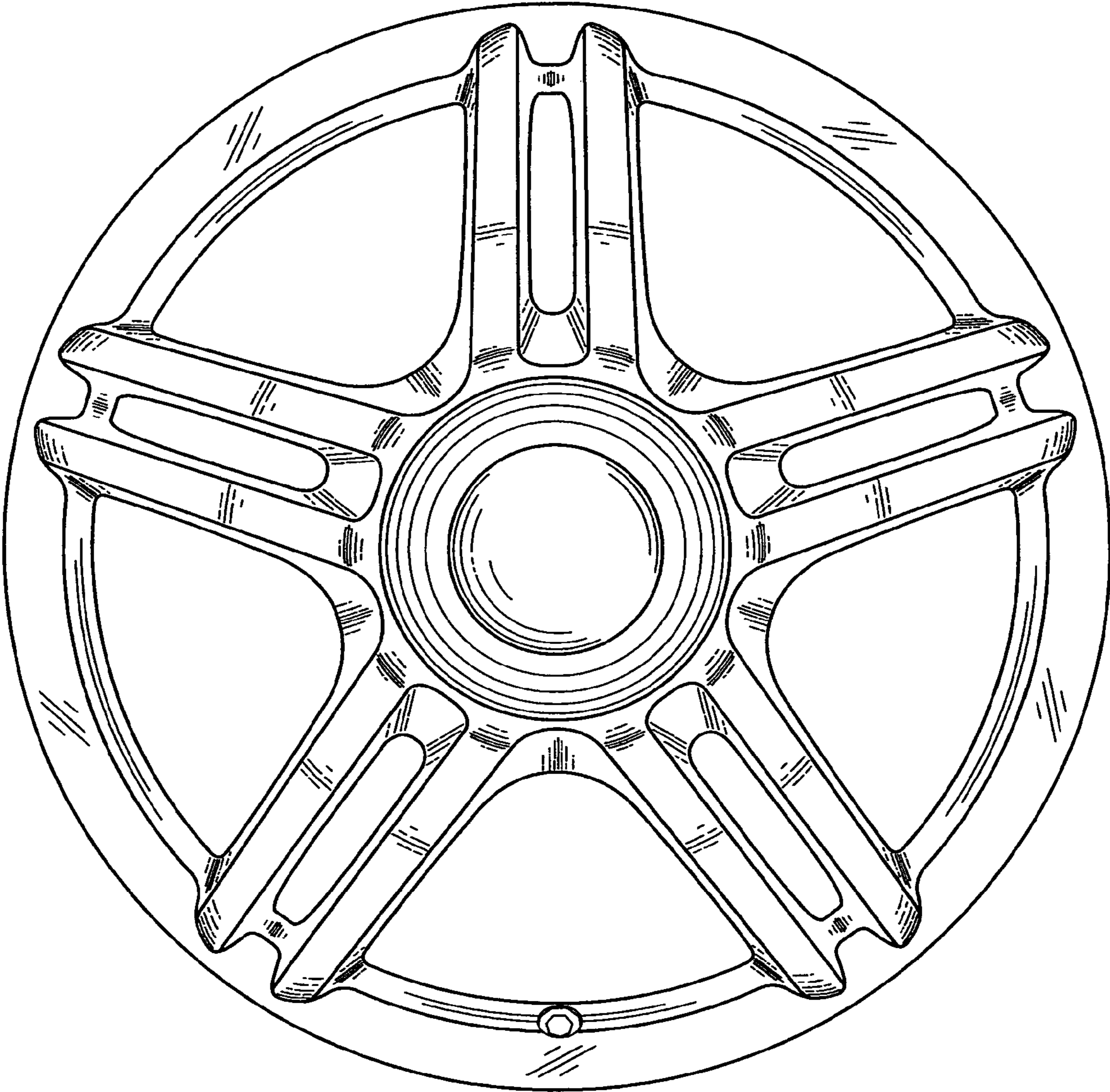


FIG. 2