



US00D616348S

(12) **United States Design Patent**
Rosenbohm

(10) **Patent No.:** **US D616,348 S**
(45) **Date of Patent:** **** May 25, 2010**

(54) **AUTOMOBILE DOOR**

(75) Inventor: **Oliver Rosenbohm**, Stuttgart (DE)

(73) Assignee: **Dr. Ing. h.c. F. Porsche AG**, Stuttgart (DE)

(**) Term: **14 Years**

(21) Appl. No.: **29/319,335**

(22) Filed: **Jun. 6, 2008**

(30) **Foreign Application Priority Data**

Dec. 7, 2007 (DE) 4 07 06 054

(51) **LOC (9) Cl.** **12-08**

(52) **U.S. Cl.** **D12/195**

(58) **Field of Classification Search** D12/190,
D12/195, 196; 49/501-502; 296/37.1-37.13,
296/149, 146.1, 153; D8/302-303
See application file for complete search history.

(56) **References Cited**

U.S. PATENT DOCUMENTS

D411,157 S * 6/1999 Sacco et al. D12/195
D415,461 S * 10/1999 Sacco et al. D12/195
D463,343 S * 9/2002 Siegert D12/195

D529,425 S * 10/2006 Maezono et al. D12/195
D529,850 S * 10/2006 Yu et al. D12/195
D531,101 S * 10/2006 Yu et al. D12/195
D533,821 S * 12/2006 Tamagawa et al. D12/195
D534,849 S * 1/2007 Tamagawa et al. D12/195
D567,164 S * 4/2008 Kato D12/195
D595,200 S * 6/2009 Rosenbohm D12/195

* cited by examiner

Primary Examiner—Stacia Cadmus

(57) **CLAIM**

The ornamental design for the automobile door, as shown and described.

DESCRIPTION

FIG. 1 is a left-side, perspective view of the automobile door showing my new design;

FIG. 2 is a right-side, perspective view thereof;

FIG. 3 is a left-side view thereof;

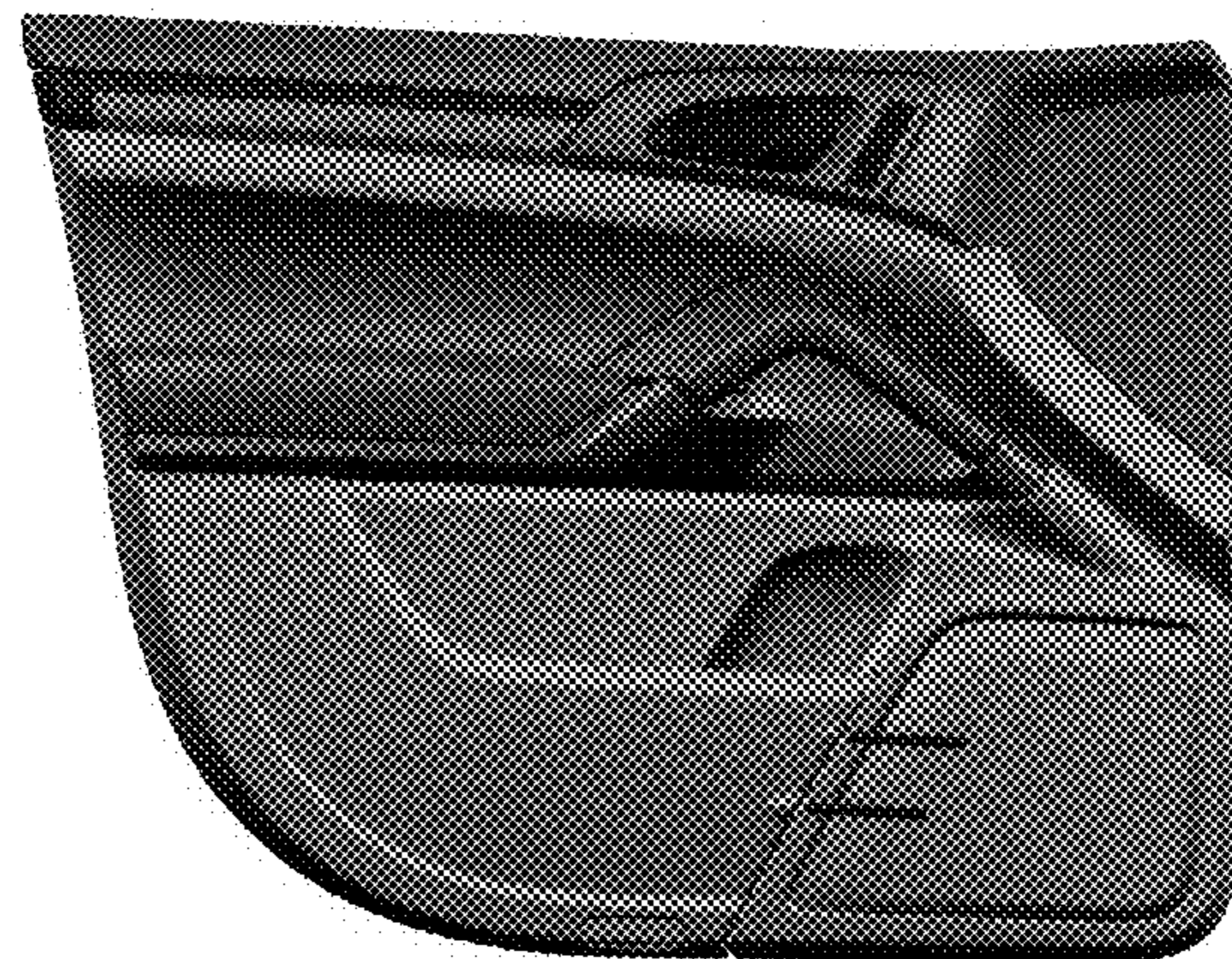
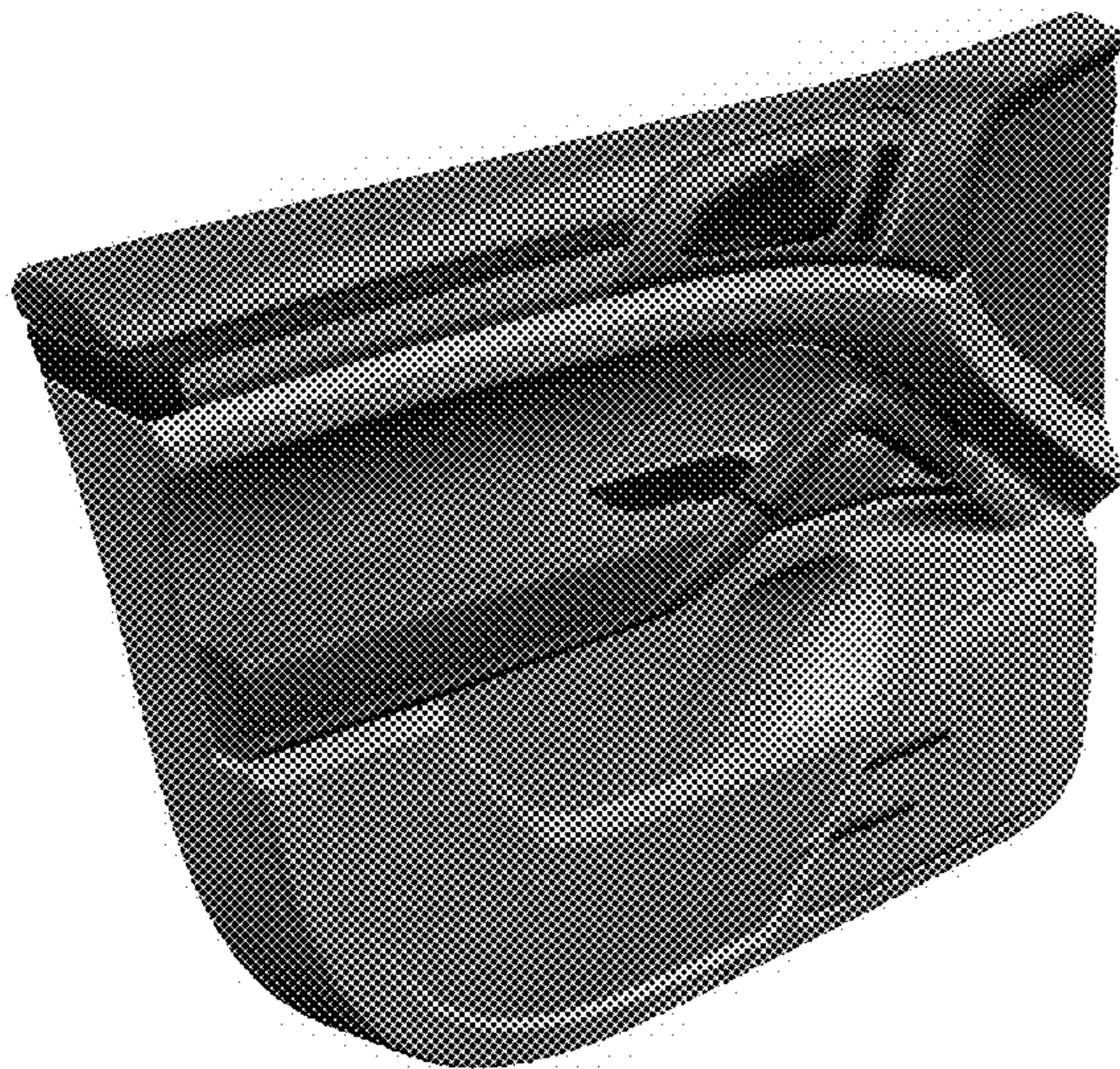
FIG. 4 is right-side view thereof;

FIG. 5 is a top, plan view thereof;

FIG. 6 is a bottom, plan view thereof; and,

FIG. 7 is a front, plan view thereof.

1 Claim, 4 Drawing Sheets



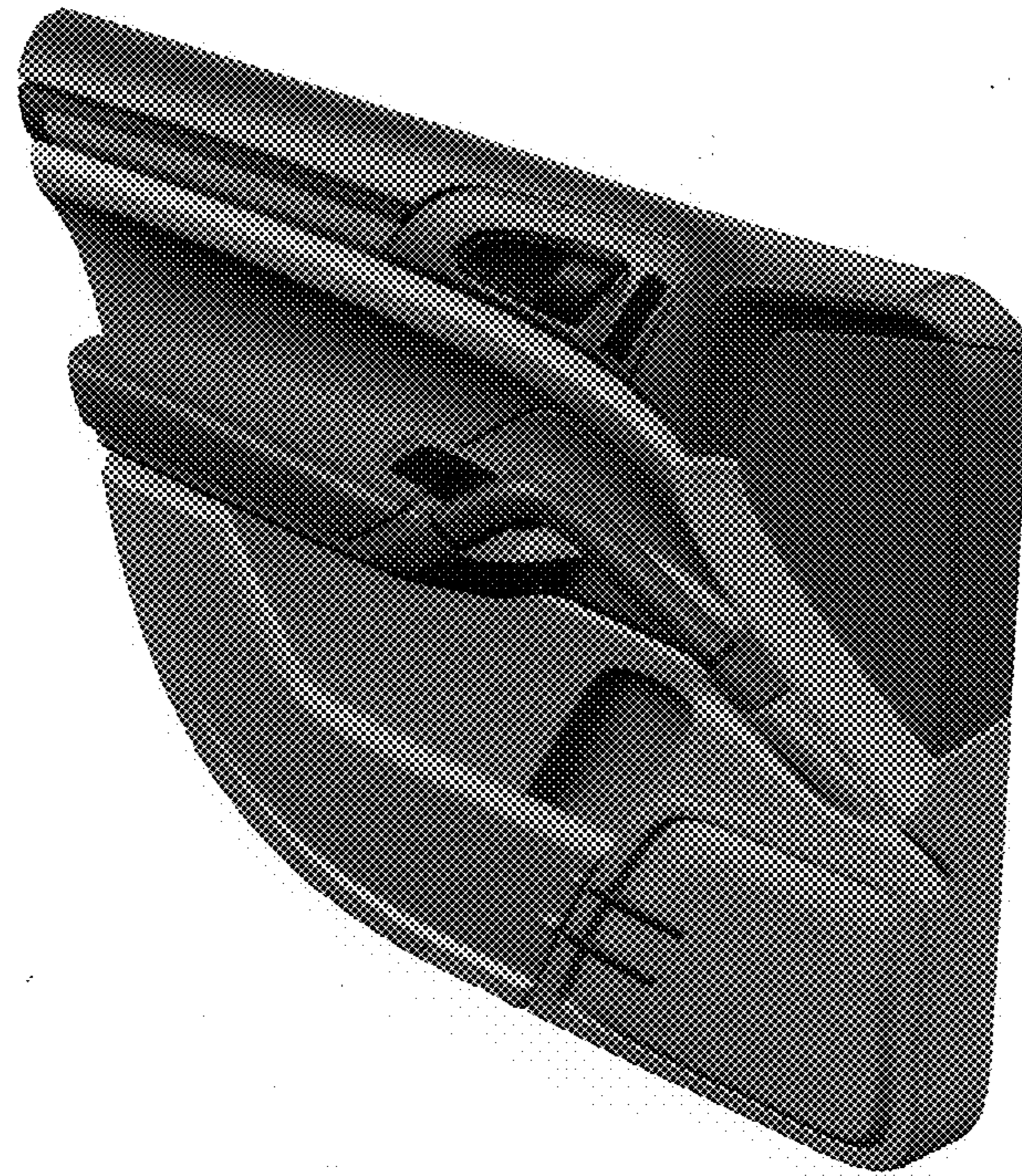


FIG. 1



FIG. 2

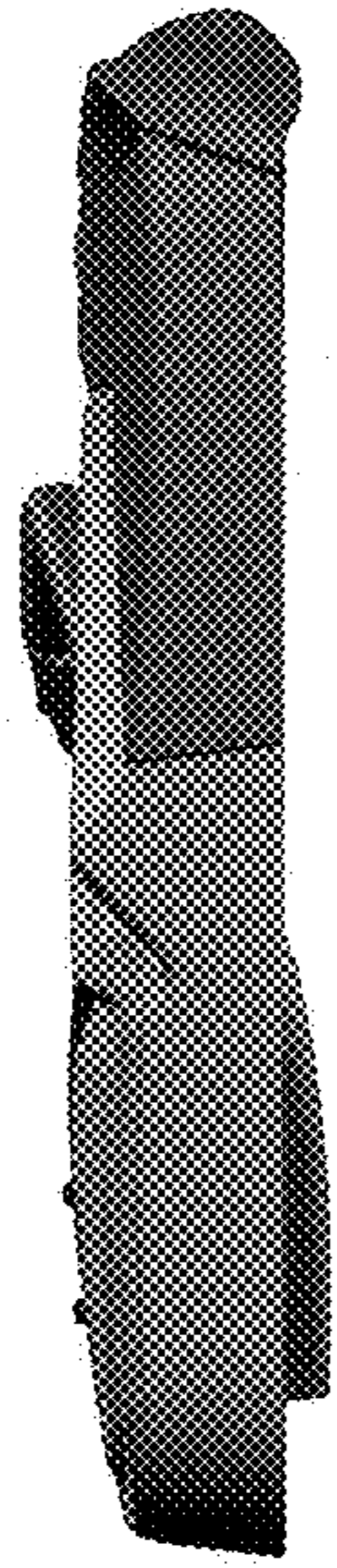


FIG. 3

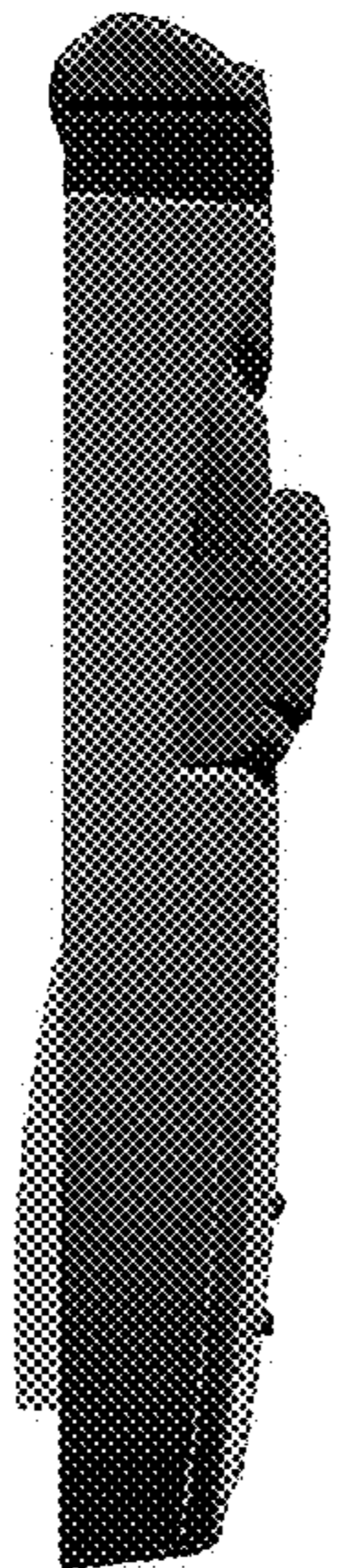


FIG. 4

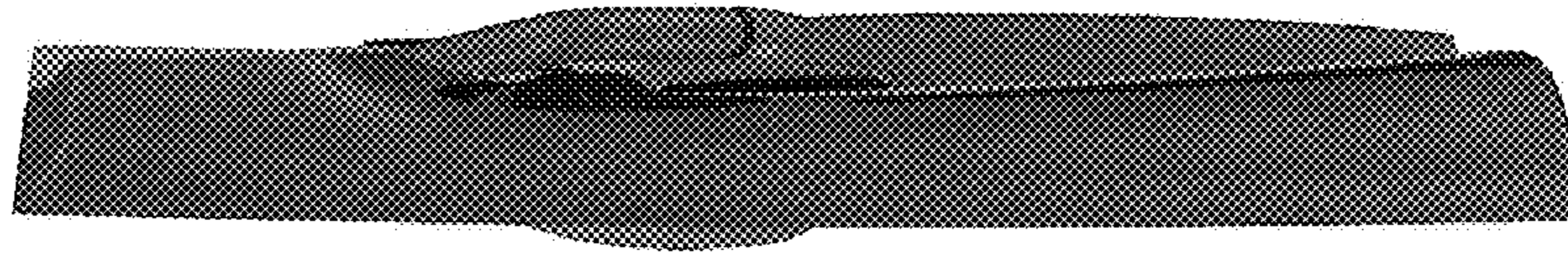


FIG. 5

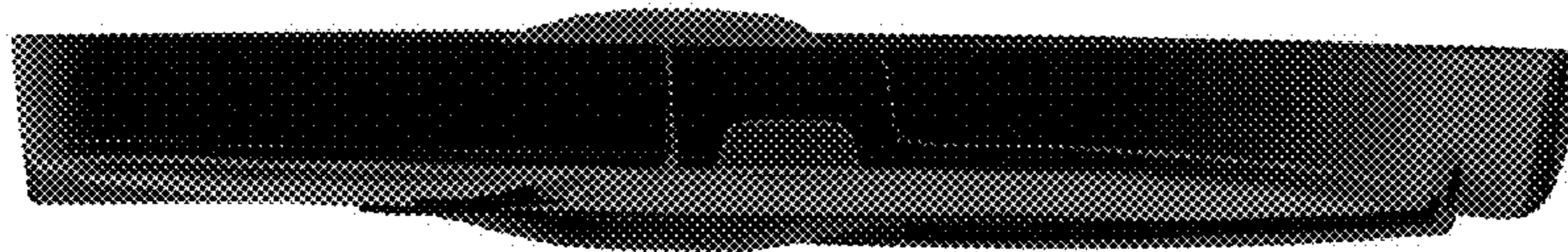


FIG. 6

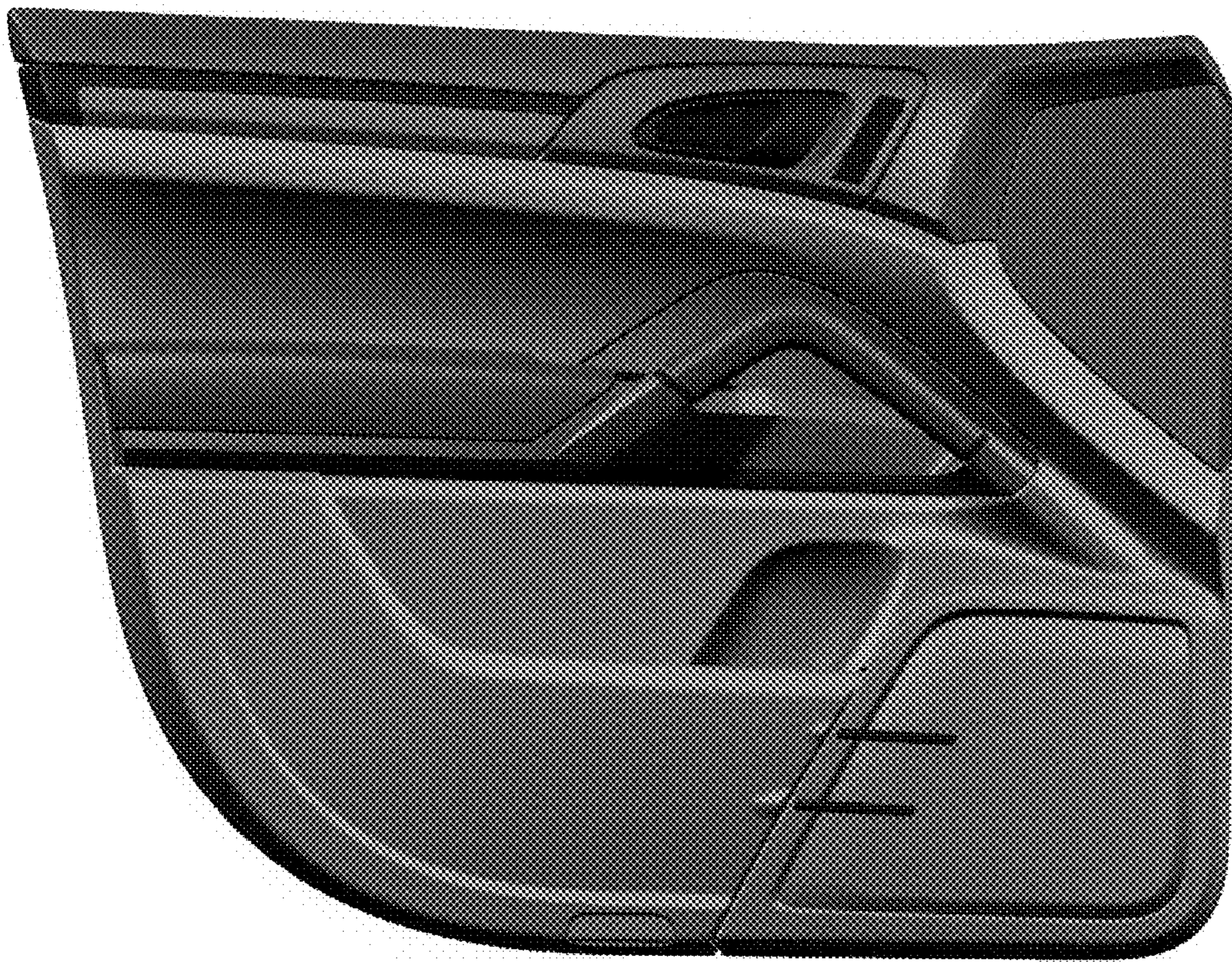


FIG. 7