



US00D616346S

(12) **United States Design Patent**
Jimenez

(10) **Patent No.:** **US D616,346 S**
(45) **Date of Patent:** **** May 25, 2010**

- (54) **INSTRUMENT PANEL FOR AN AUTOMOBILE**
- (75) Inventor: **Benjamin Jimenez**, Newport Beach, CA (US)
- (73) Assignee: **Toyota Jidosha Kabushiki Kaisha**, Toyota-shi (JP)
- (**) Term: **14 Years**
- (21) Appl. No.: **29/343,802**
- (22) Filed: **Sep. 18, 2009**
- (51) **LOC (9) Cl.** **12-16**
- (52) **U.S. Cl.** **D12/192**
- (58) **Field of Classification Search** D12/192, D12/415; 180/190; 280/750-752; 296/190.01-190.09, 296/70; D15/17, 28; D10/46, 98, 102-103
See application file for complete search history.

- (56) **References Cited**
U.S. PATENT DOCUMENTS
- D419,936 S * 2/2000 Sacco et al. D12/192
- D470,809 S * 2/2003 Asahi et al. D12/192
- D489,660 S * 5/2004 Okumura et al. D12/192
- D493,756 S * 8/2004 Yamamoto et al. D12/192

- D558,656 S * 1/2008 Tanaka et al. D12/192
- D560,150 S * 1/2008 Honma et al. D12/192
- D570,756 S * 6/2008 Nakajima D12/192
- D593,470 S * 6/2009 Duan et al. D12/192
- D598,353 S * 8/2009 Dai et al. D12/192

* cited by examiner

Primary Examiner—Stacia Cadmus

(74) *Attorney, Agent, or Firm*—Finnegan, Henderson, Farabow, Garrett & Dunner, LLP

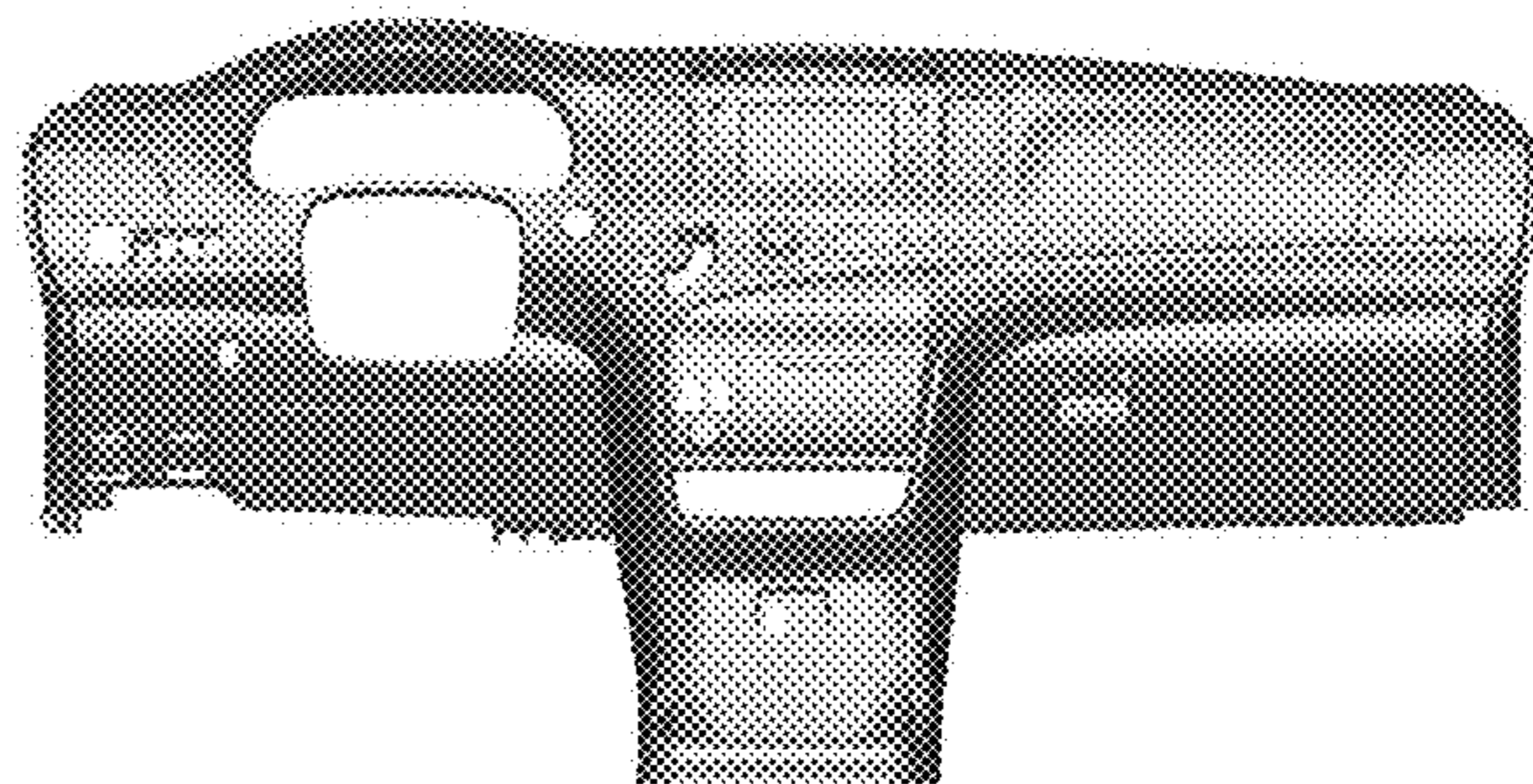
(57) **CLAIM**

The ornamental design for an instrument panel for an automobile, as shown and described.

DESCRIPTION

FIG. 1 is a front perspective view of an instrument panel for an automobile of my new design;
 FIG. 2 is a front view thereof;
 FIG. 3 is a top plan view thereof;
 FIG. 4 is a bottom plan view thereof;
 FIG. 5 is a left side view thereof; and,
 FIG. 6 is a right side view thereof.

1 Claim, 5 Drawing Sheets



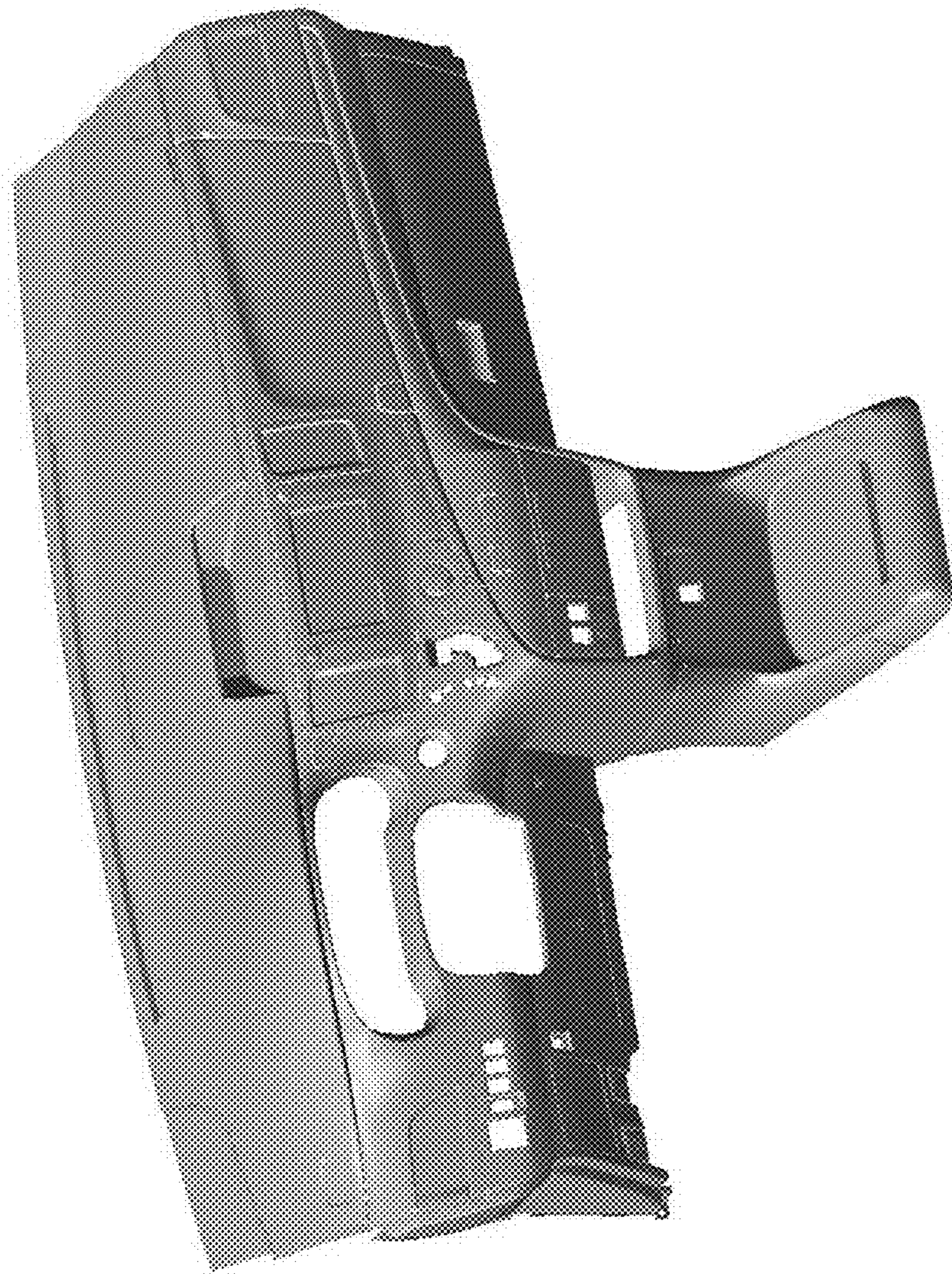


FIG. 1

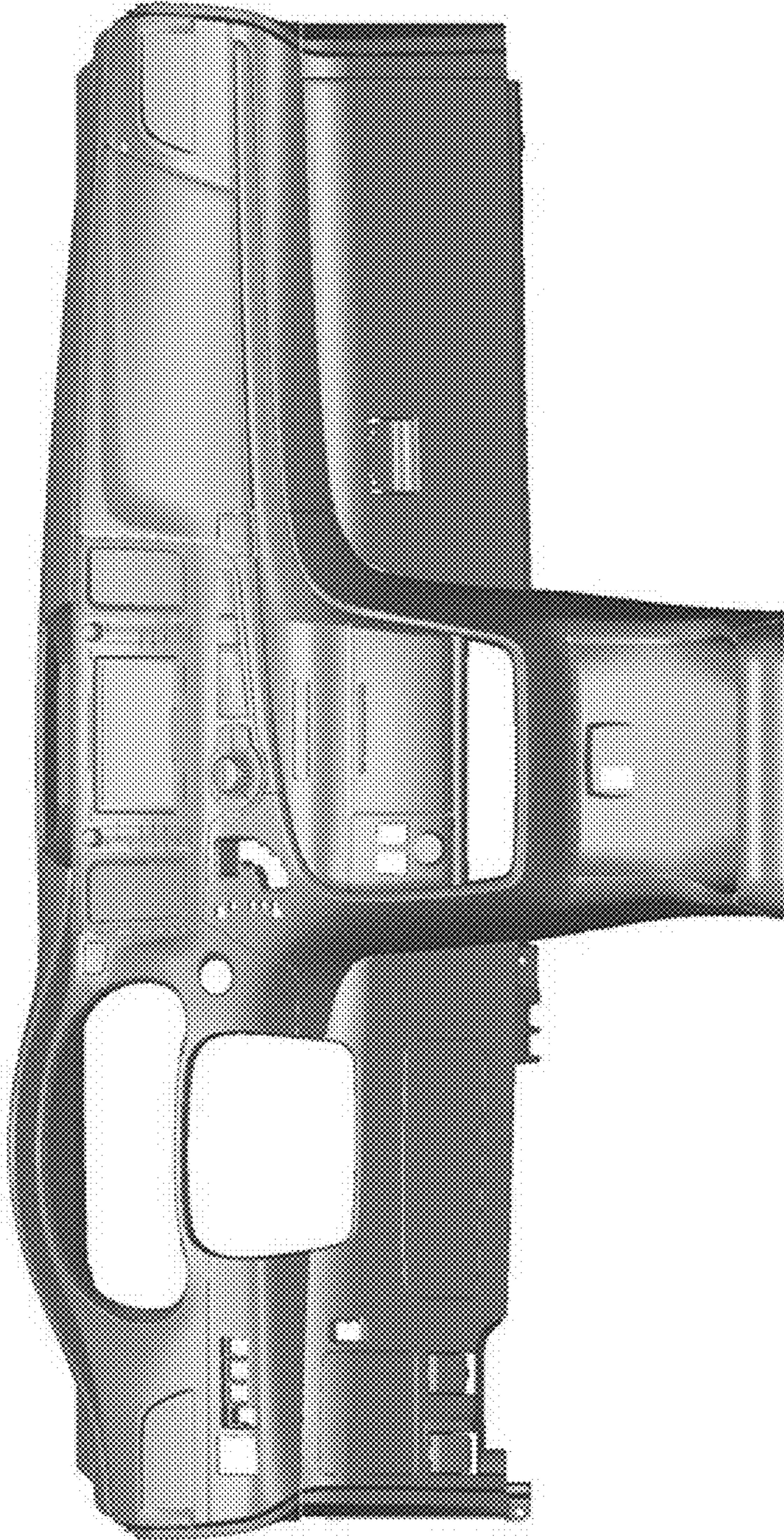


FIG. 2

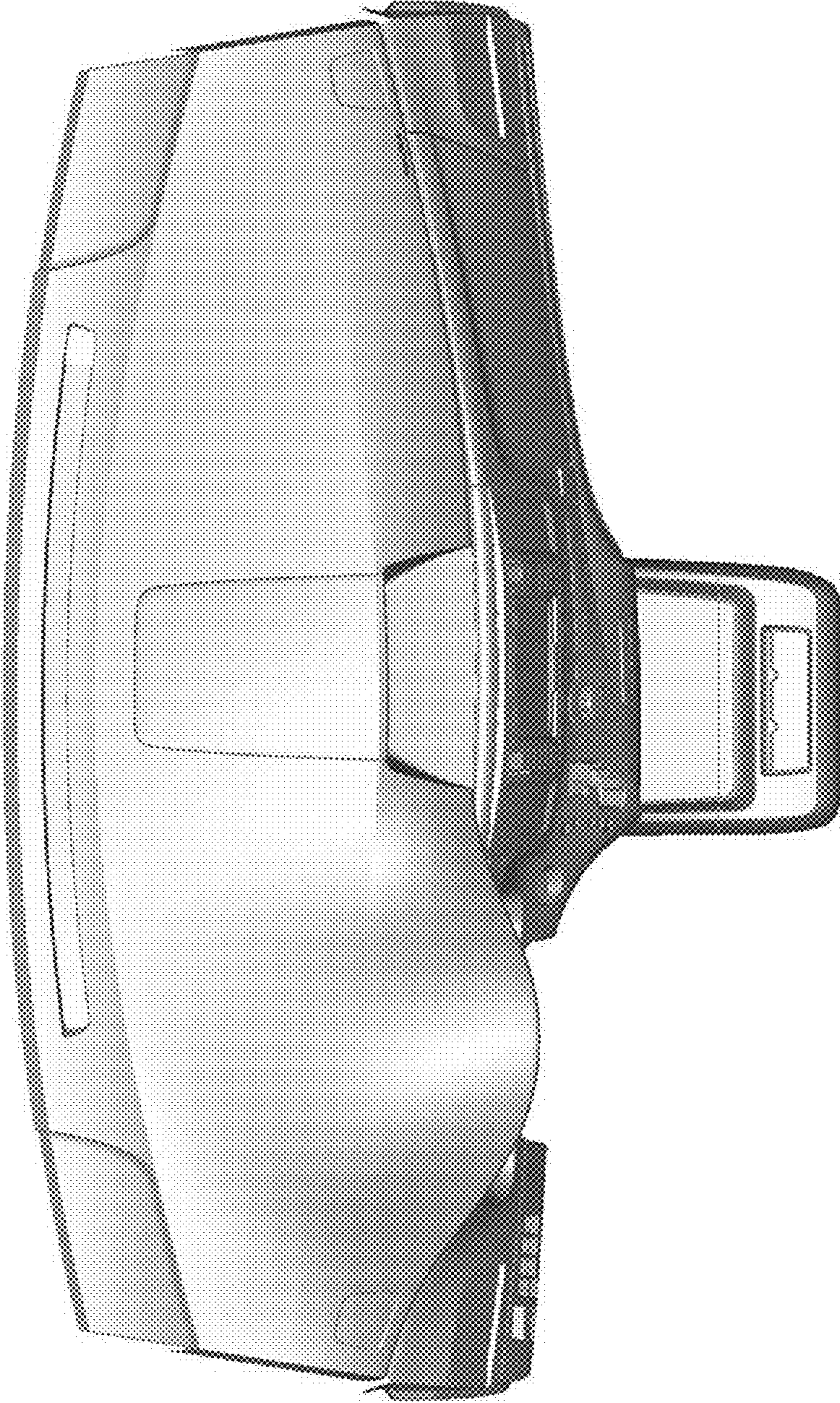


FIG. 3

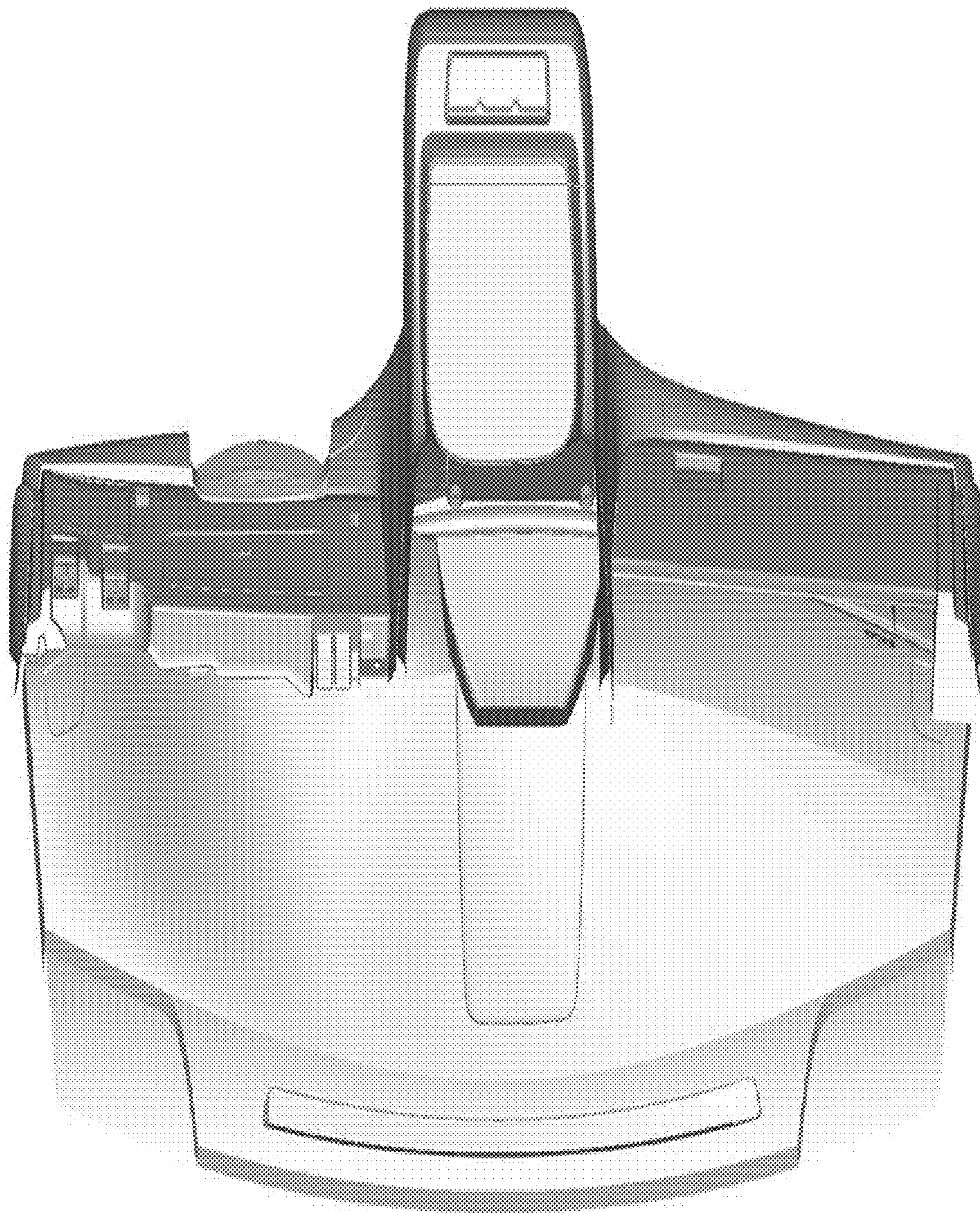


FIG. 4

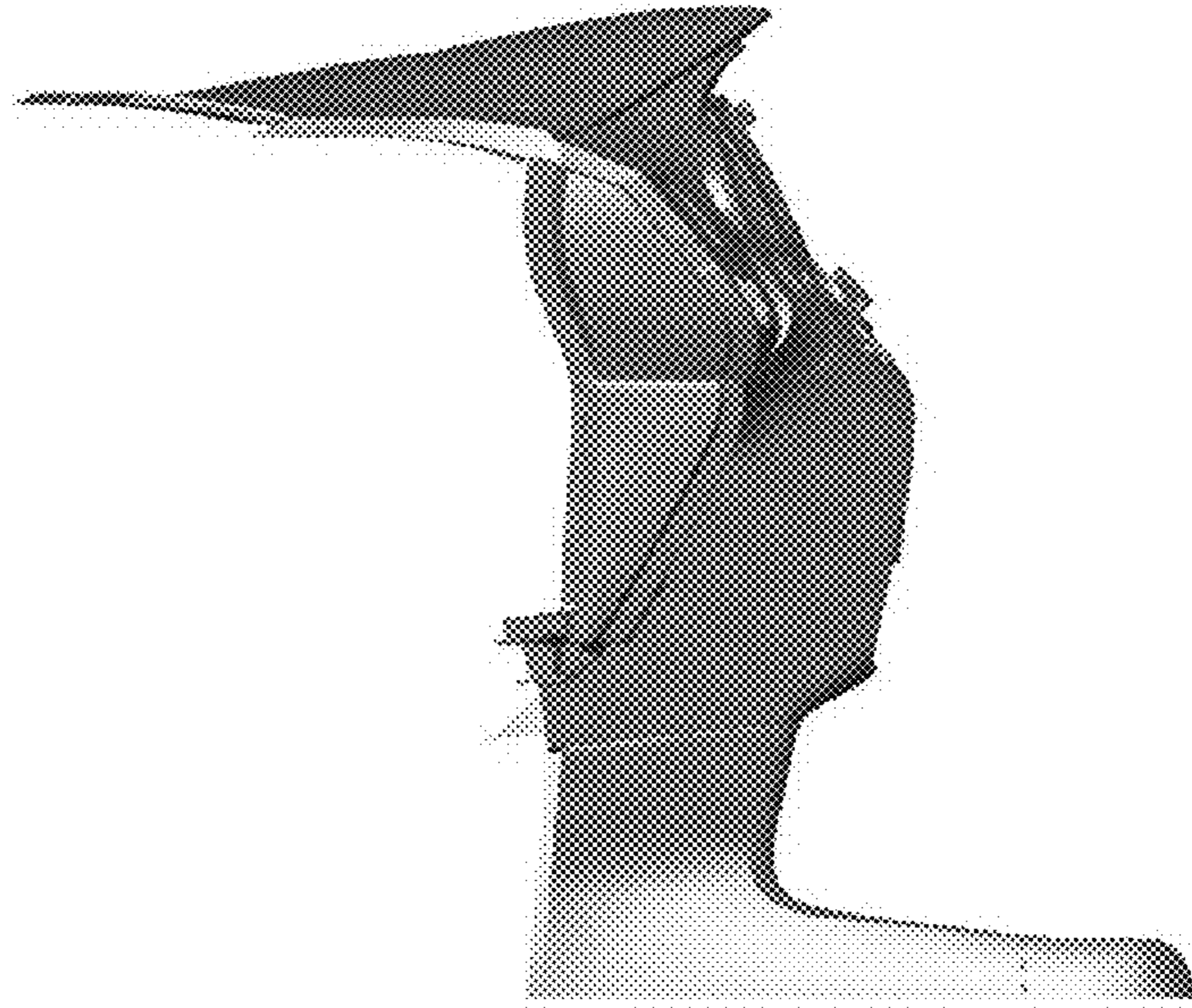


FIG. 5

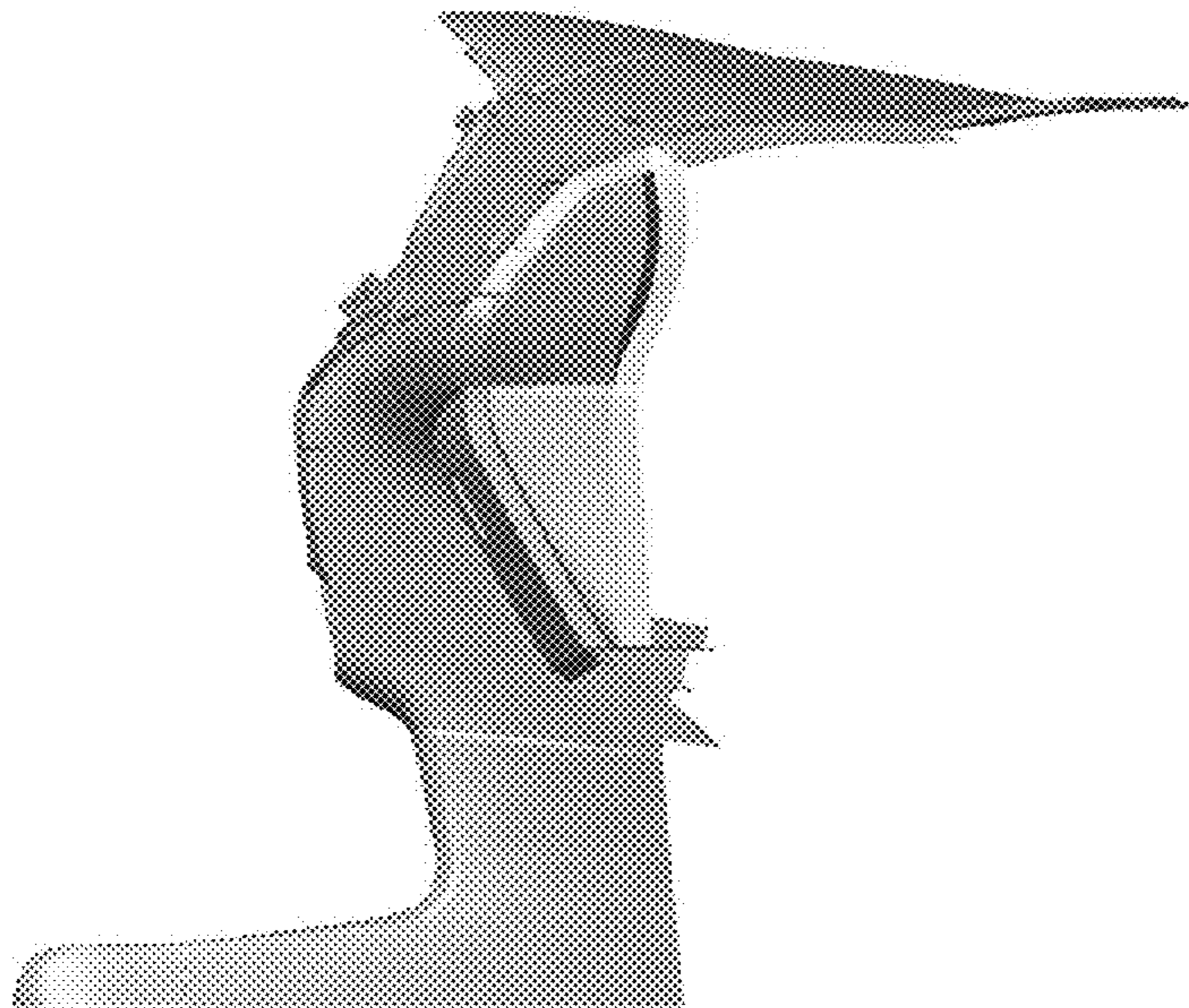


FIG. 6