



US00D616344S

(12) **United States Design Patent**
Bauer et al.

(10) **Patent No.:** **US D616,344 S**
(45) **Date of Patent:** **** May 25, 2010**

(54) **SIDE MIRROR FOR A VEHICLE**

(75) Inventors: **Karlheinz Bauer**, Esslingen (DE);
Ulrich Baur, Stuttgart (DE);
Hans-Dieter Futschik, Gechingen (DE);
Steffen Koehl, Stuttgart (DE);
Karl-Heinz Naegele, Bondorf (DE)

(73) Assignee: **Daimler AG**, Stuttgart (DE)

(**) Term: **14 Years**

(21) Appl. No.: **29/311,361**

(22) Filed: **Mar. 3, 2009**

(30) **Foreign Application Priority Data**

Sep. 4, 2008 (DE) 402008004192

(51) **LOC (9) Cl.** **12-16**

(52) **U.S. Cl.** **D12/187**

(58) **Field of Classification Search** D12/187,
D12/188-189, 96; D6/300, 309; 359/838,
359/841, 843, 844, 868, 871, 604, 881, 514,
359/866; 248/479-483, 475.1

See application file for complete search history.

(56) **References Cited**

U.S. PATENT DOCUMENTS

D478,853	S	*	8/2003	Boyer	D12/187
D574,761	S		8/2008	Futschik et al.		
D575,707	S		8/2008	Futschik et al.		
D577,639	S	*	9/2008	Choi et al.	D12/187
D578,047	S	*	10/2008	Kaoud et al.	D12/187
D587,638	S	*	3/2009	Futschik et al.	D12/187
D587,639	S		3/2009	Futschik et al.		
D589,859	S	*	4/2009	Golden et al.	D12/187
7,600,877	B2	*	10/2009	Behbehani	359/868
D603,774	S	*	11/2009	Chen	D12/187
2002/0141085	A1	*	10/2002	Whitehead et al.	359/841
2004/0218272	A1	*	11/2004	Boddy	359/512
2005/0174645	A1	*	8/2005	Boddy et al.	359/599
2005/0254153	A1	*	11/2005	Kawanishi	359/879
2009/0086346	A1	*	4/2009	Henion	359/841

2009/0244744 A1* 10/2009 Okamoto et al. 359/872

* cited by examiner

Primary Examiner—Caron Veynar

Assistant Examiner—Katrina A Kile

(74) *Attorney, Agent, or Firm*—Crowell & Moring LLP

(57) **CLAIM**

The ornamental design for a side mirror for a vehicle, as shown and described.

DESCRIPTION

This application contains subject matter related to the following co-pending U.S. patent applications:

U.S. patent application Ser. No. 29/309,073, filed Jun. 18, 2008;

U.S. patent application Ser. No. 29/309,775, filed Oct. 7, 2008; and

U.S. patent application Ser. No. 29/311,363, filed herewith and entitled "Side Mirror for a Vehicle".

FIG. 1 is a rear perspective view of a first embodiment of a side mirror for a vehicle according to our novel design;

FIG. 2 is a front perspective view thereof;

FIG. 3 is a rear view thereof;

FIG. 4 is a front view thereof; and

FIG. 5 is a top view thereof.

FIG. 6 is a rear perspective view of a second embodiment of the side mirror for a vehicle according to our novel design;

FIG. 7 is a front perspective view thereof;

FIG. 8 is a rear view thereof;

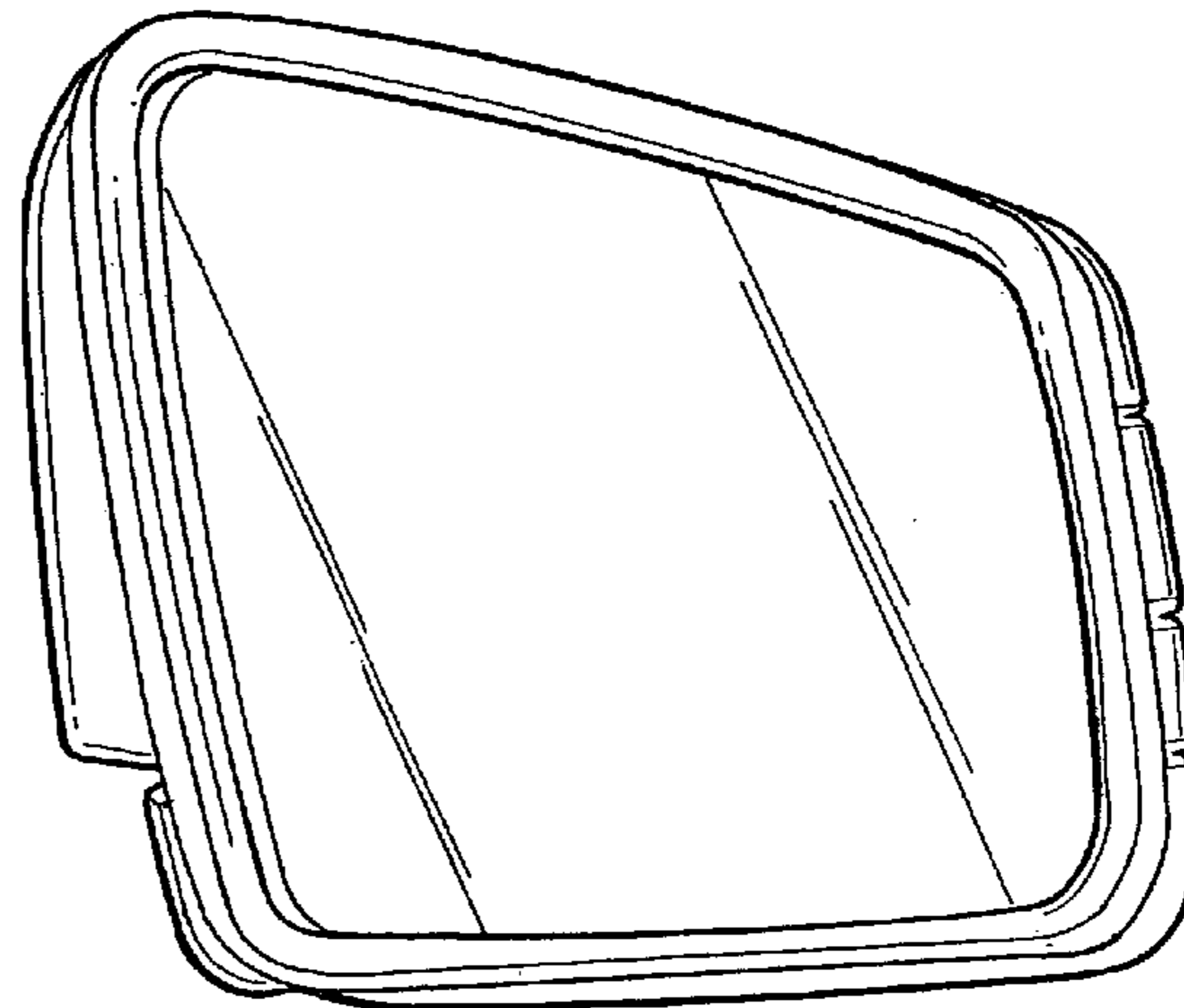
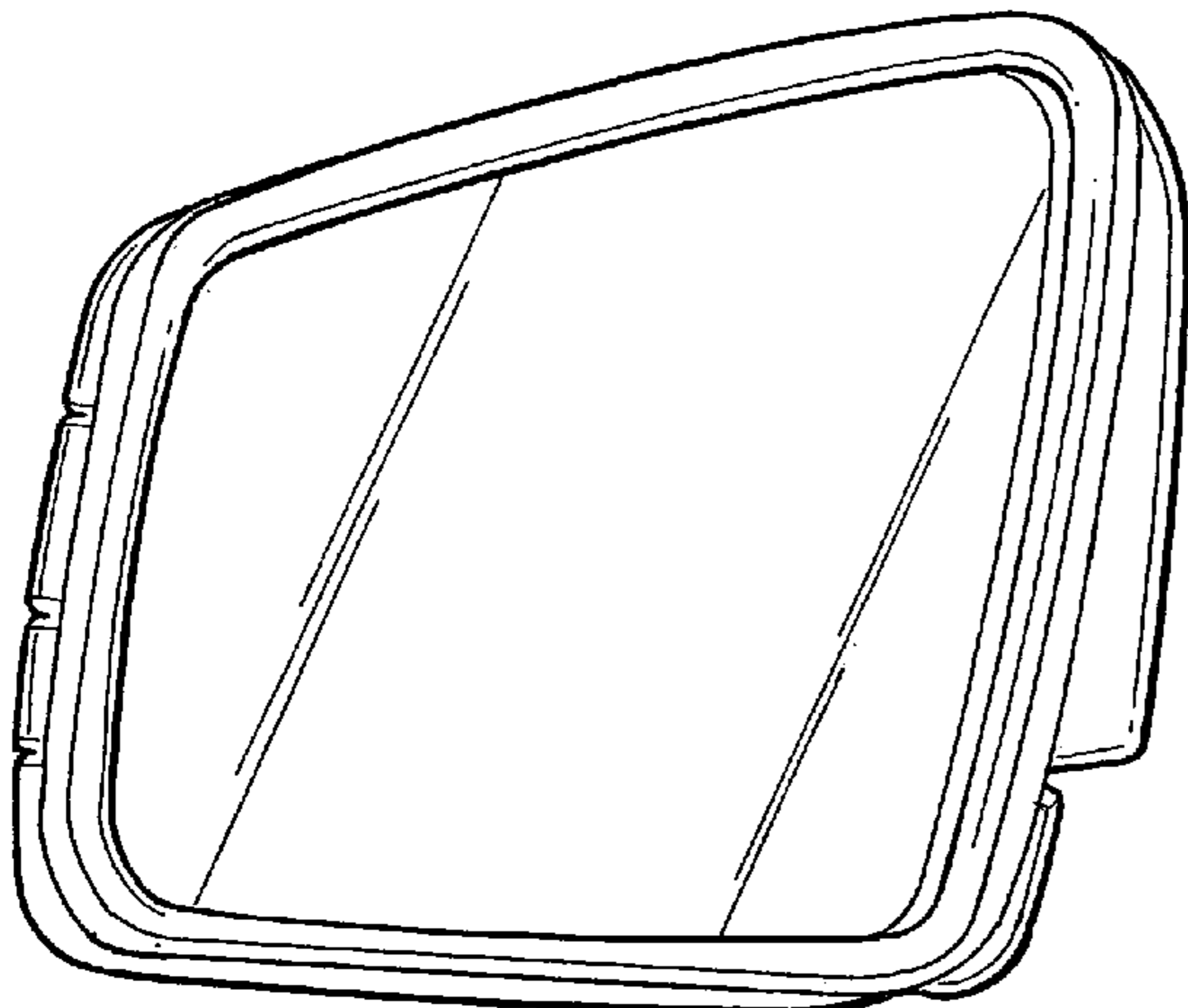
FIG. 9 is a front view thereof; and,

FIG. 10 is a top view thereof.

The third embodiment is a mirror image of the side mirror for a vehicle as shown in FIGS. 1-6. The fourth embodiment is a mirror image of the side mirror for a vehicle as shown in FIGS. 7-11.

In the drawings, the broken lines show portions of a side mirror for a vehicle and form no part of the claimed design.

1 Claim, 4 Drawing Sheets



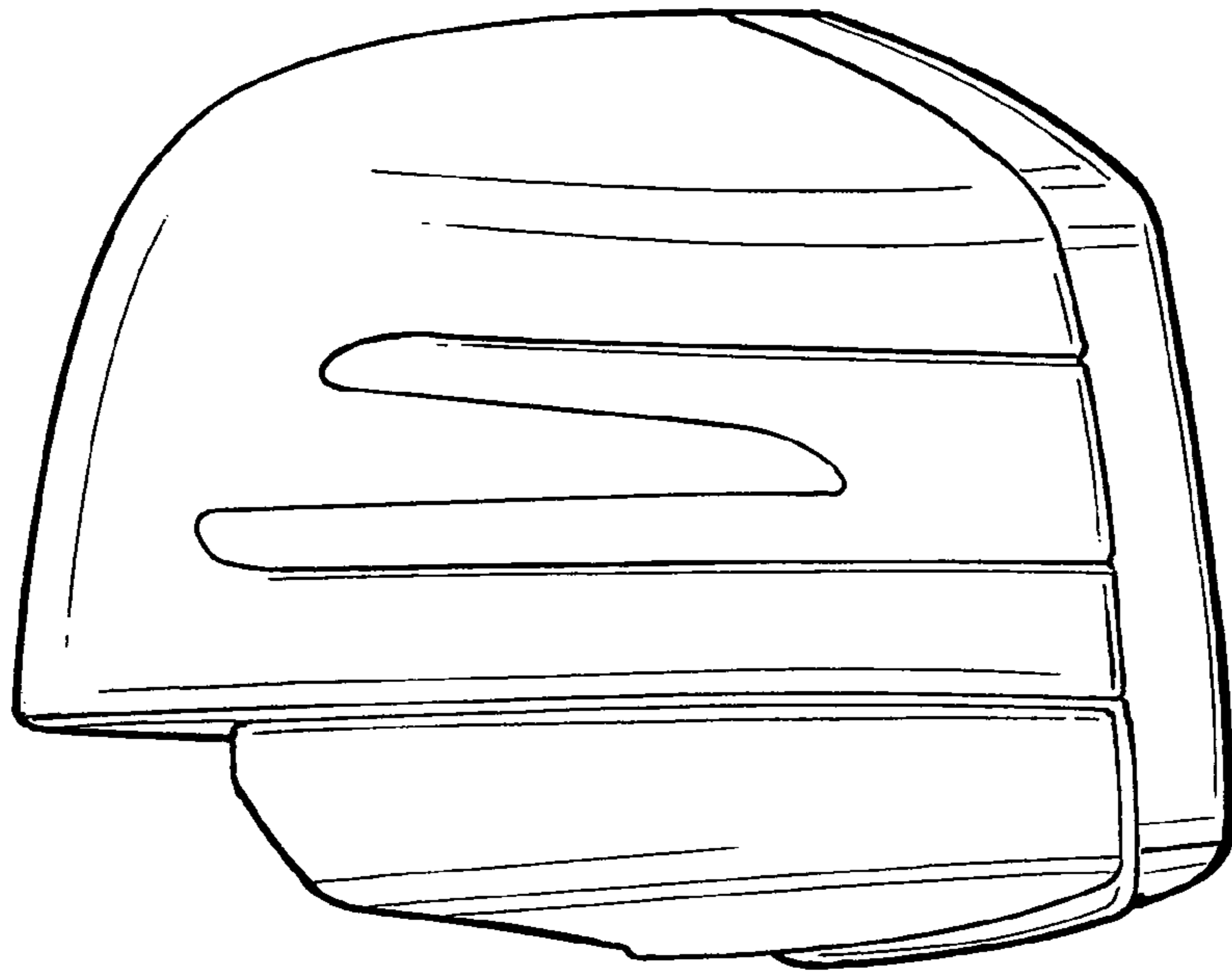


FIG. 1

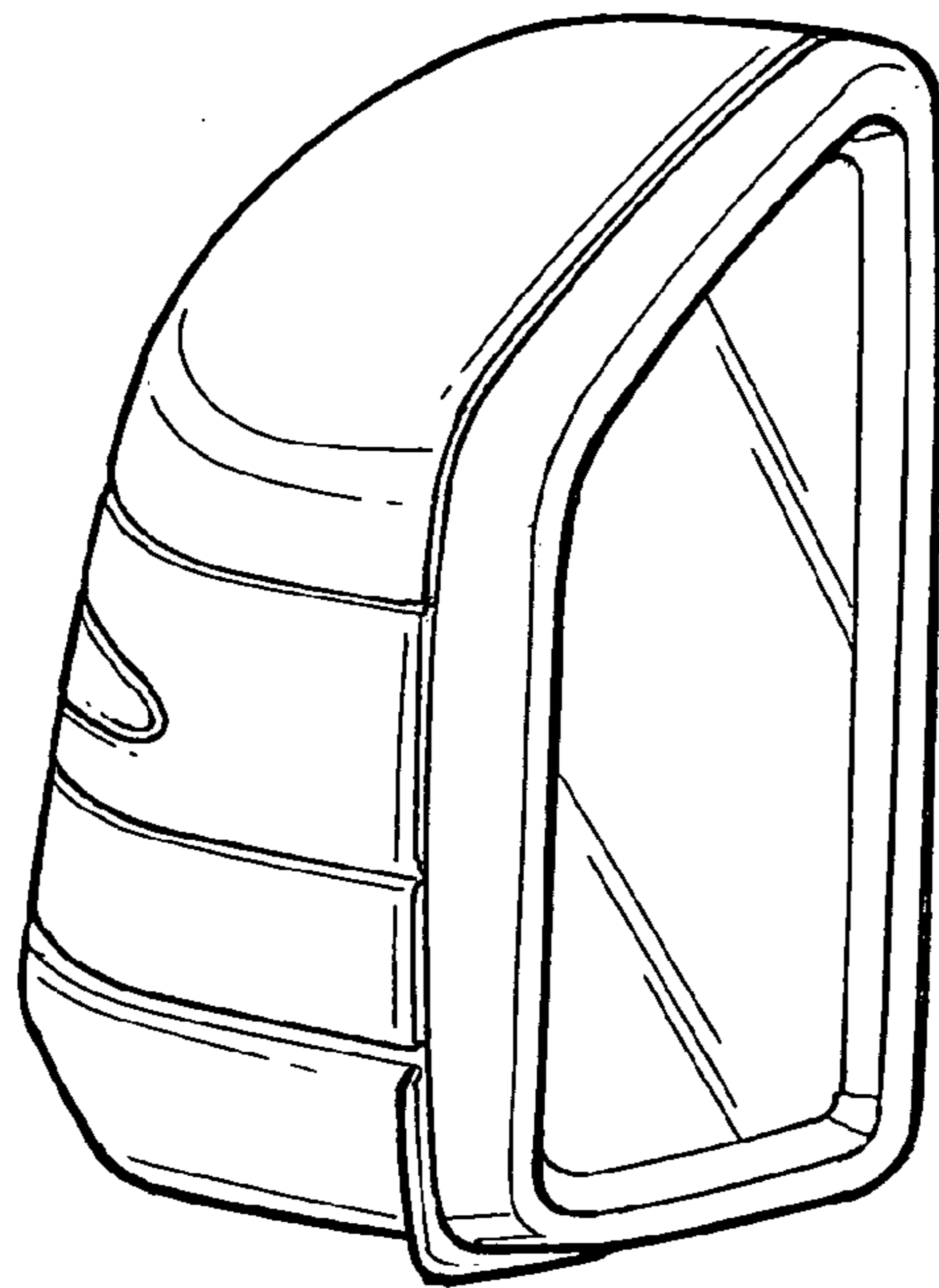
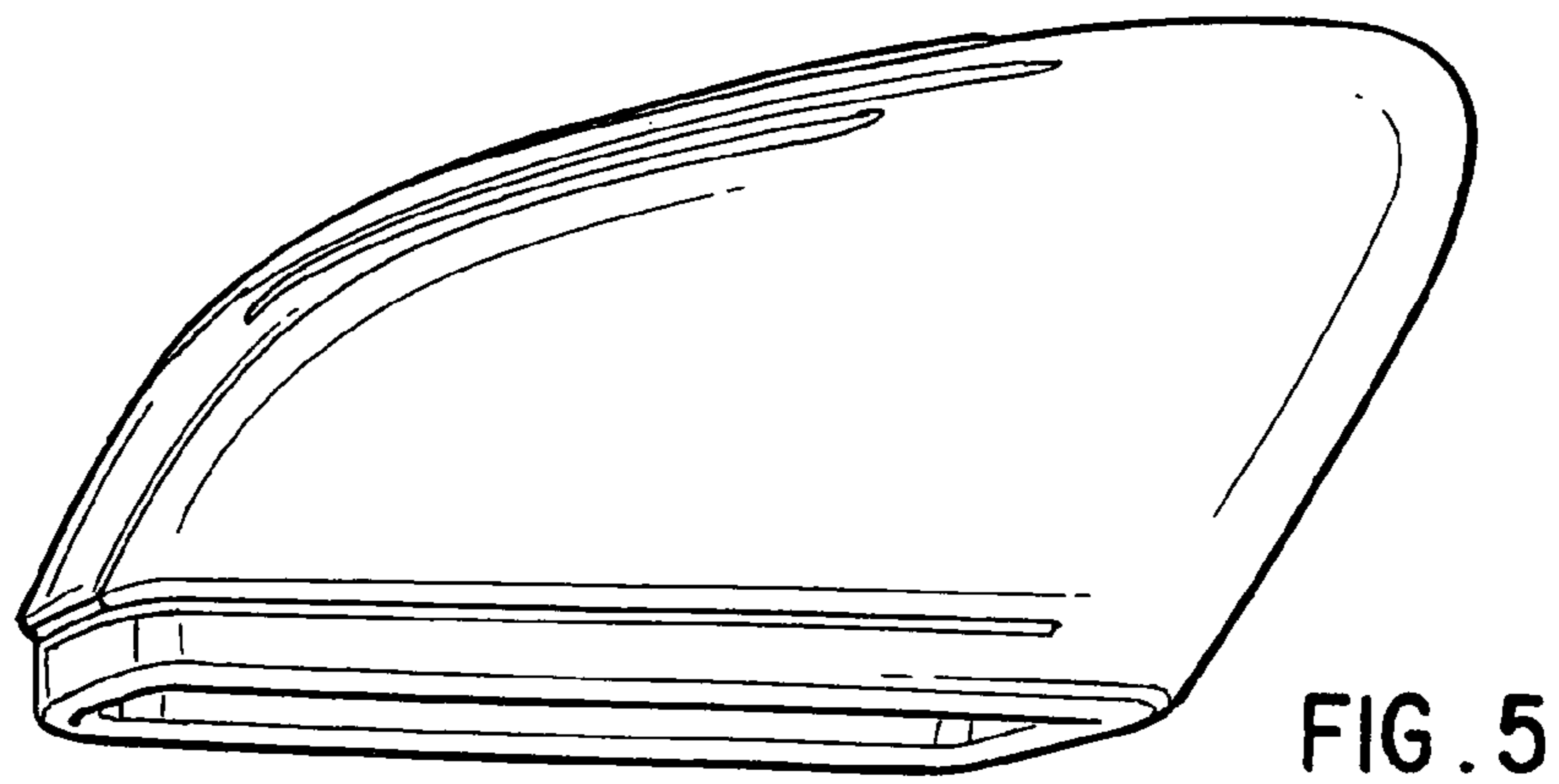
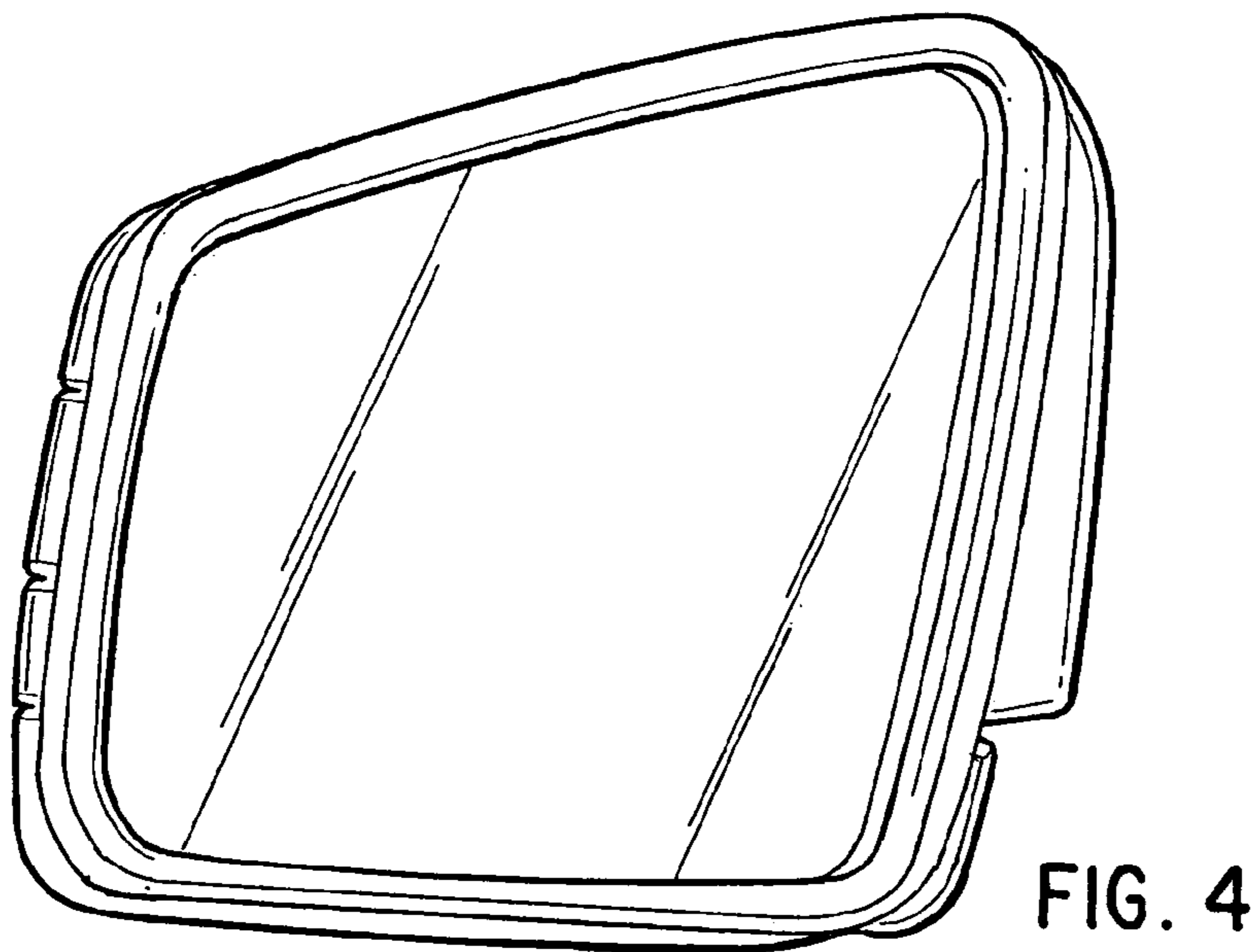
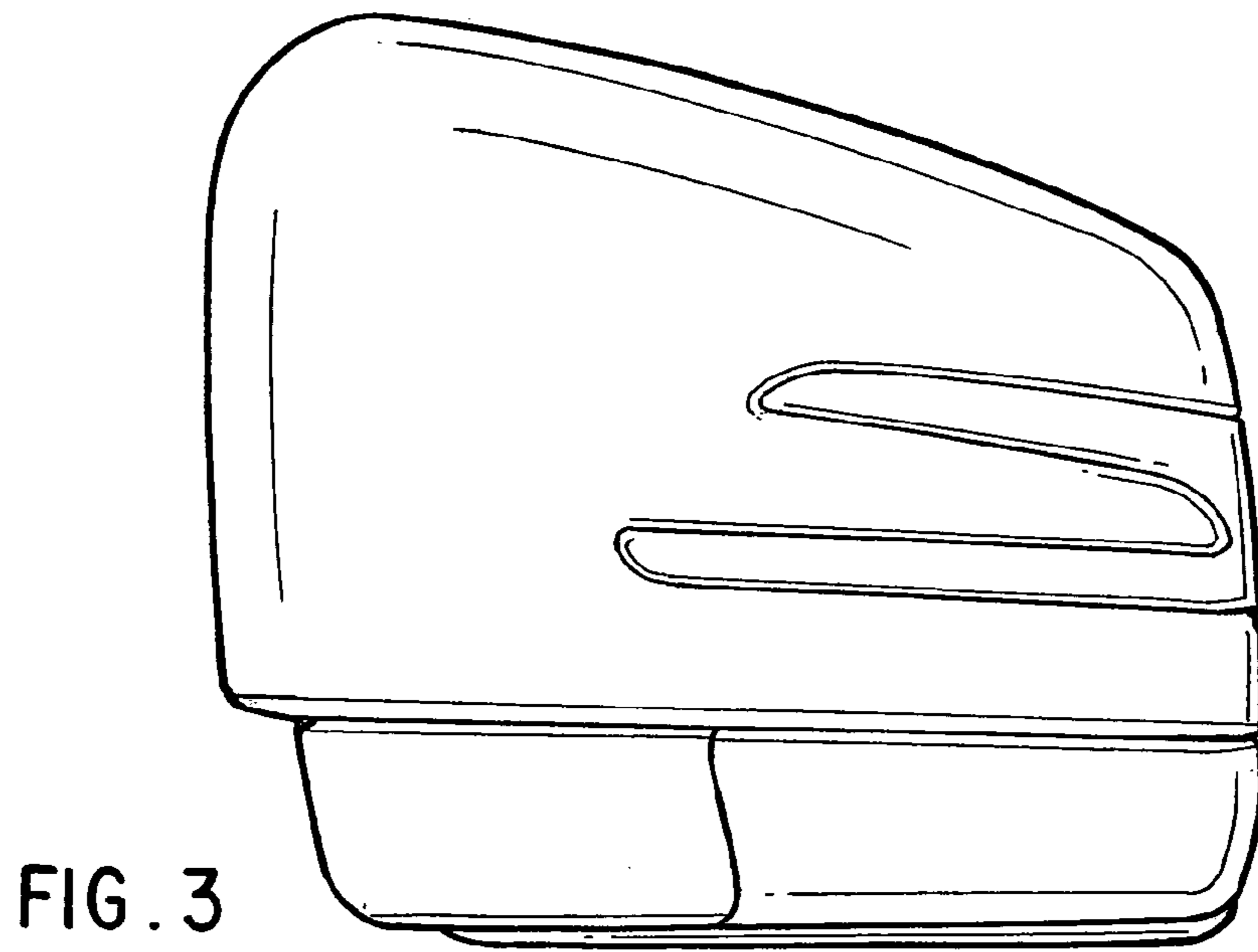


FIG. 2



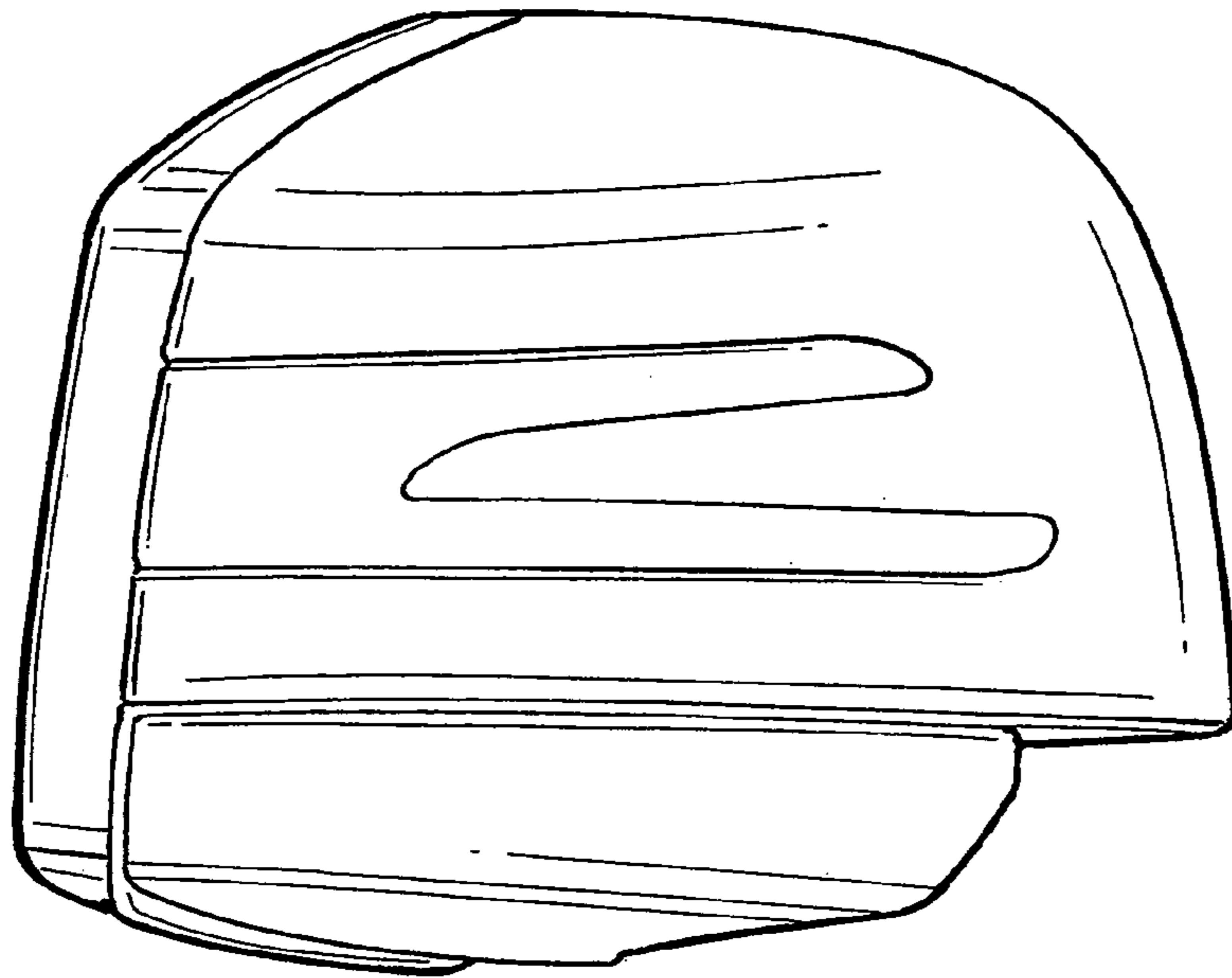


FIG. 6

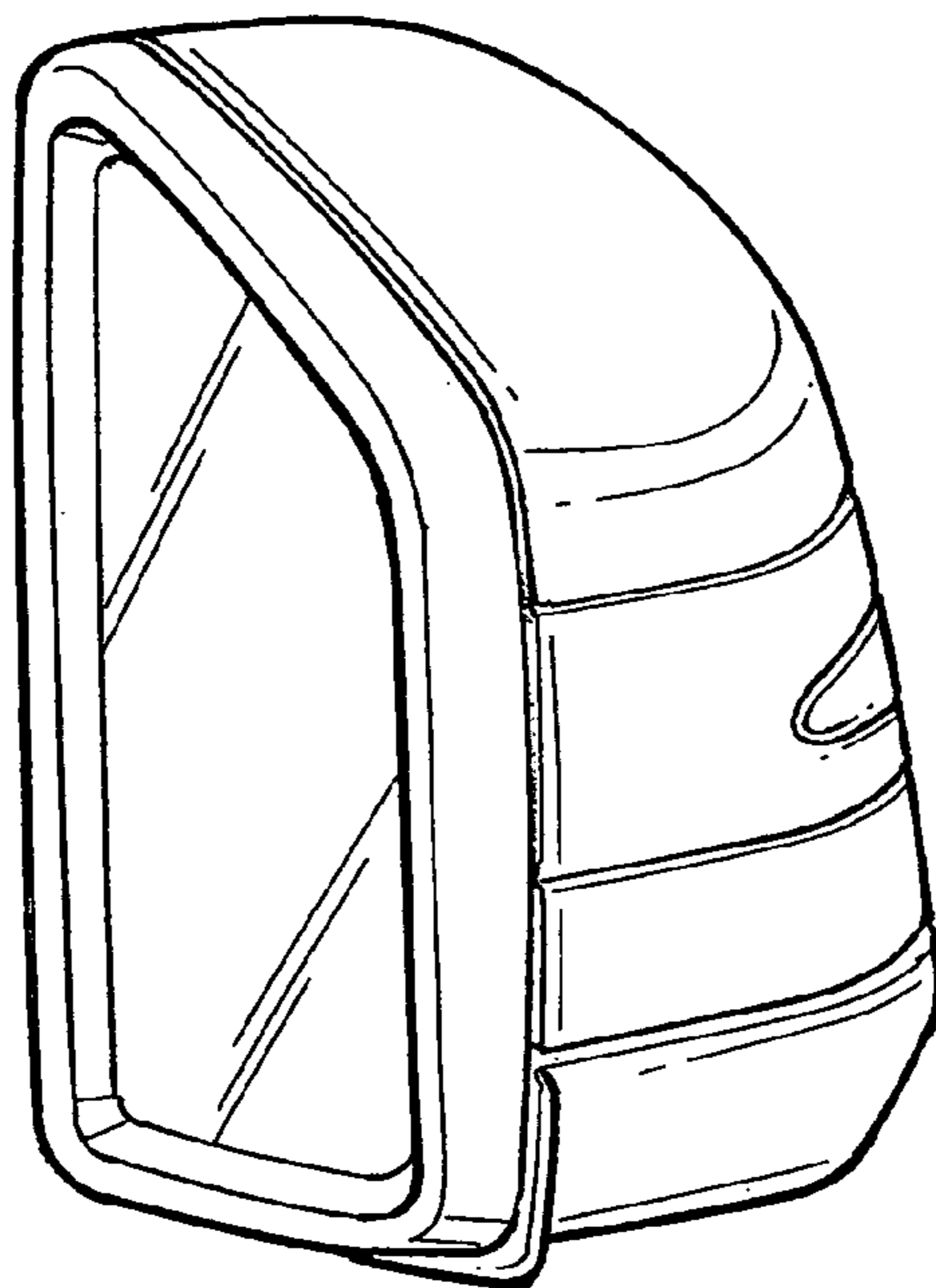


FIG. 7

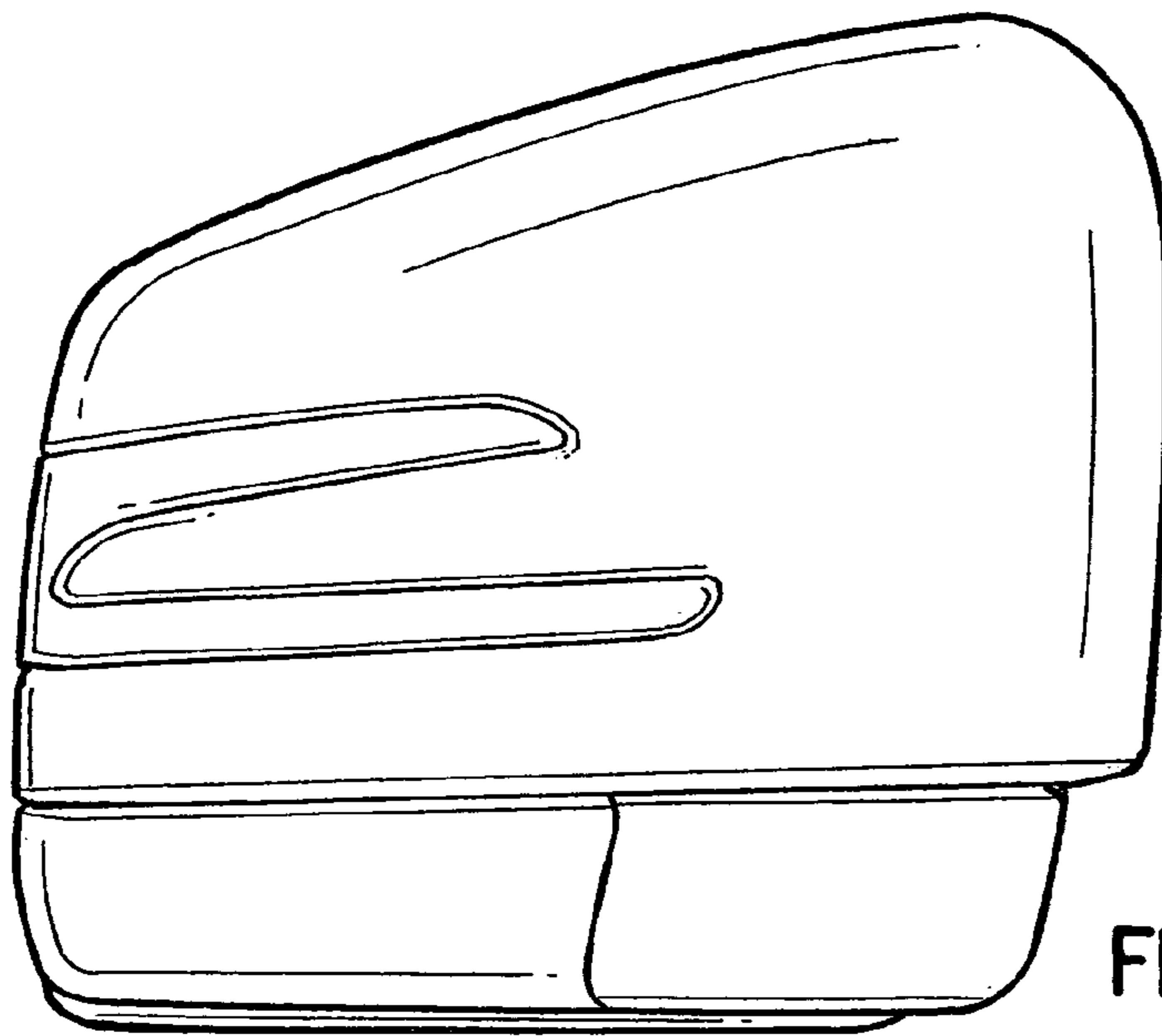


FIG. 8

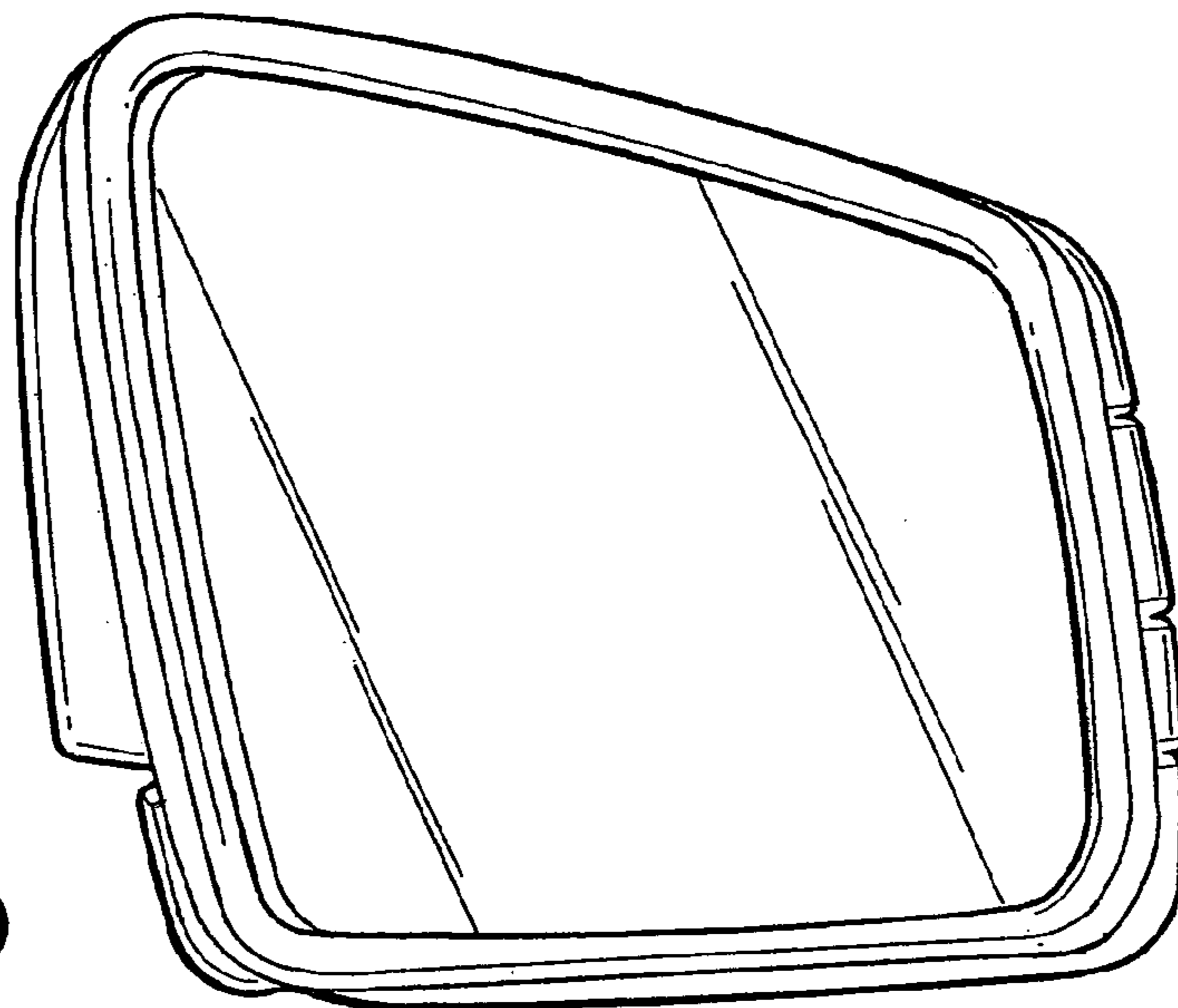


FIG. 9

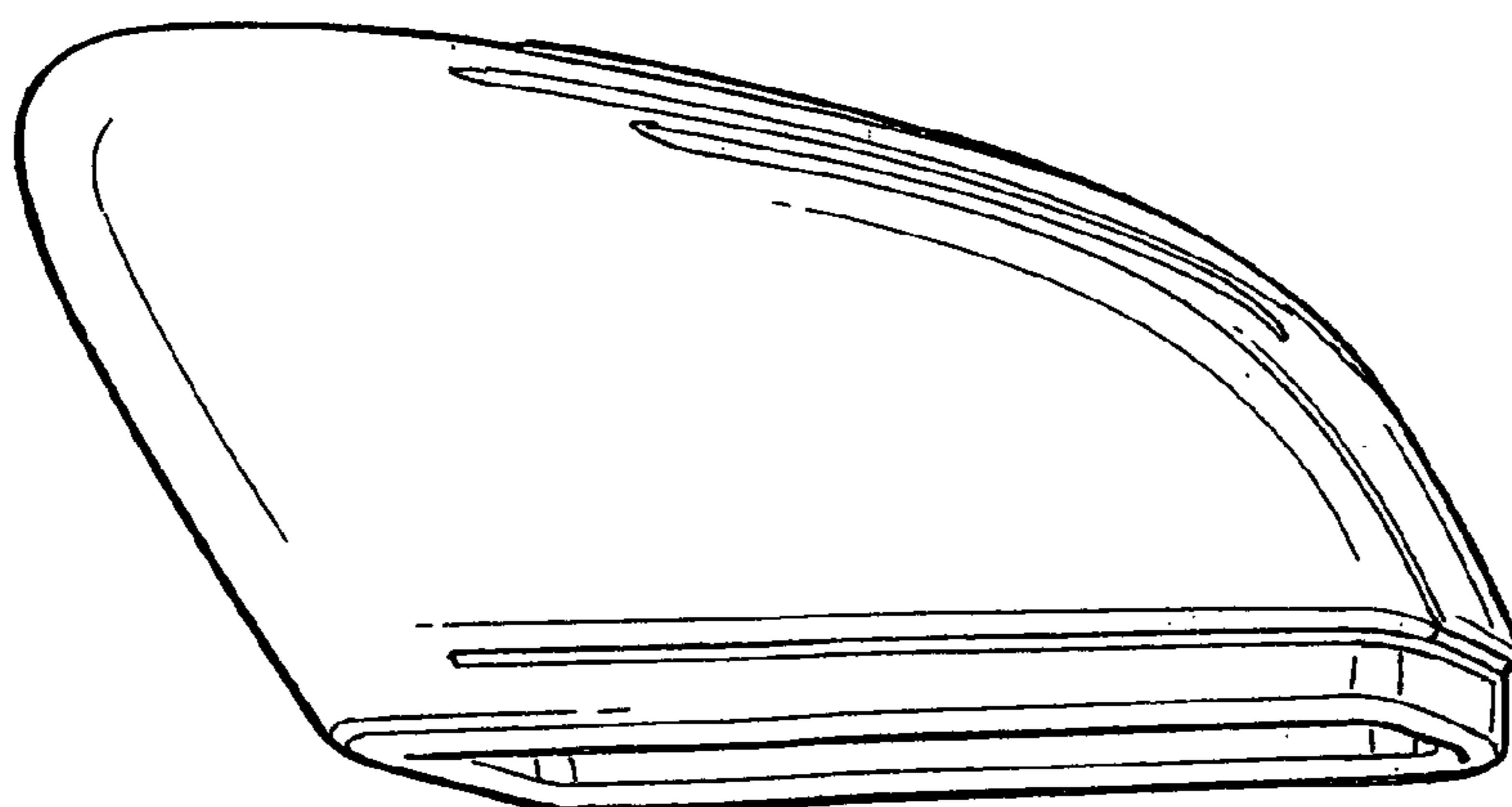


FIG. 10