



US00D616340S

(12) **United States Design Patent**  
**Wu**

(10) **Patent No.:** **US D616,340 S**  
(45) **Date of Patent:** **\*\* May 25, 2010**

(54) **STROLLER FRAME**

(75) Inventor: **Meng-Jung Wu**, Tainan (TW)

(73) Assignee: **Yuann Tay Enterprise Co., Ltd.**, Tainan Hsien (TW)

(\*\*) Term: **14 Years**

(21) Appl. No.: **29/347,027**

(22) Filed: **Aug. 26, 2009**

(51) **LOC (9) Cl.** ..... **12-12**

(52) **U.S. Cl.** ..... **D12/129; D12/133**

(58) **Field of Classification Search** ..... D12/128-133;  
D6/360, 367; 280/62, 647-650, 29, 200,  
280/47.38, 250.1, 259, 642, 658; 297/DIG. 4;  
296/65.03, 65.04; 224/409; D21/425, 426;  
D34/17, 18

See application file for complete search history.

(56) **References Cited**

**U.S. PATENT DOCUMENTS**

D364,131	S	*	11/1995	Eichhorn et al.	.....	D12/129
5,590,896	A	*	1/1997	Eichhorn	.....	280/642
D409,530	S	*	5/1999	Chen et al.	.....	D12/129
D430,826	S	*	9/2000	Chen et al.	.....	D12/129
D442,895	S	*	5/2001	Chiu	.....	D12/129

6,671,926	B2	*	1/2004	Huang	.....	16/35 R
7,021,651	B2	*	4/2006	Lan	.....	280/642
D528,048	S	*	9/2006	Lin et al.	.....	D12/129
D558,099	S	*	12/2007	Yang	.....	D12/129
D585,338	S	*	1/2009	Siewertsen	.....	D12/129

\* cited by examiner

*Primary Examiner*—Charles A Rademaker

*Assistant Examiner*—Charles D Hanson

(74) *Attorney, Agent, or Firm*—Rosenberg, Klein & Lee

(57) **CLAIM**

The ornamental design for a stroller frame, as shown and described.

**DESCRIPTION**

FIG. 1 is a perspective view of a stroller frame showing my new design;

FIG. 2 is a front elevational view thereof;

FIG. 3 is a rear elevational view thereof;

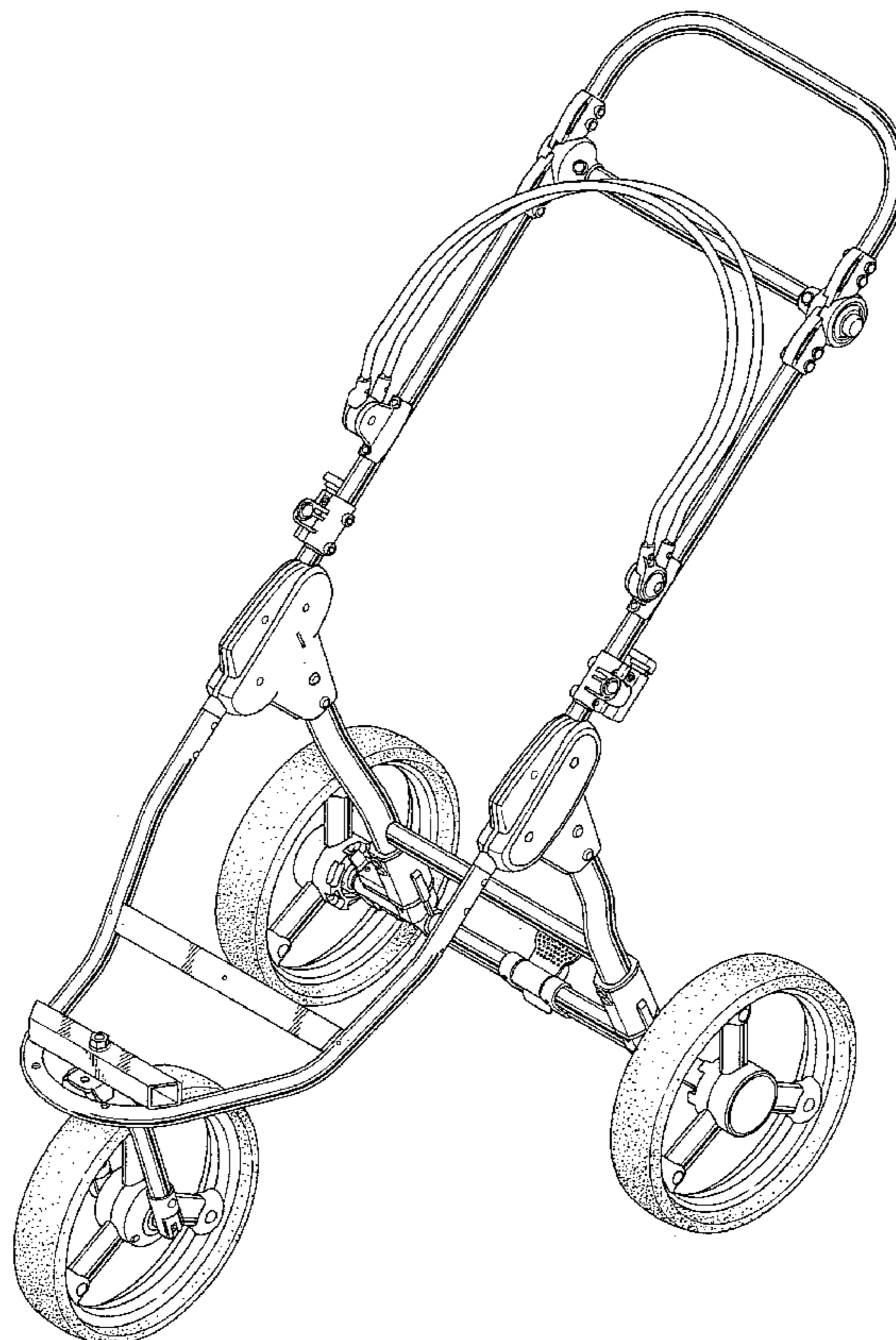
FIG. 4 is a left side elevational view thereof;

FIG. 5 is a right side elevational view thereof;

FIG. 6 is a top plan view thereof; and,

FIG. 7 is a bottom plan view thereof.

**1 Claim, 7 Drawing Sheets**



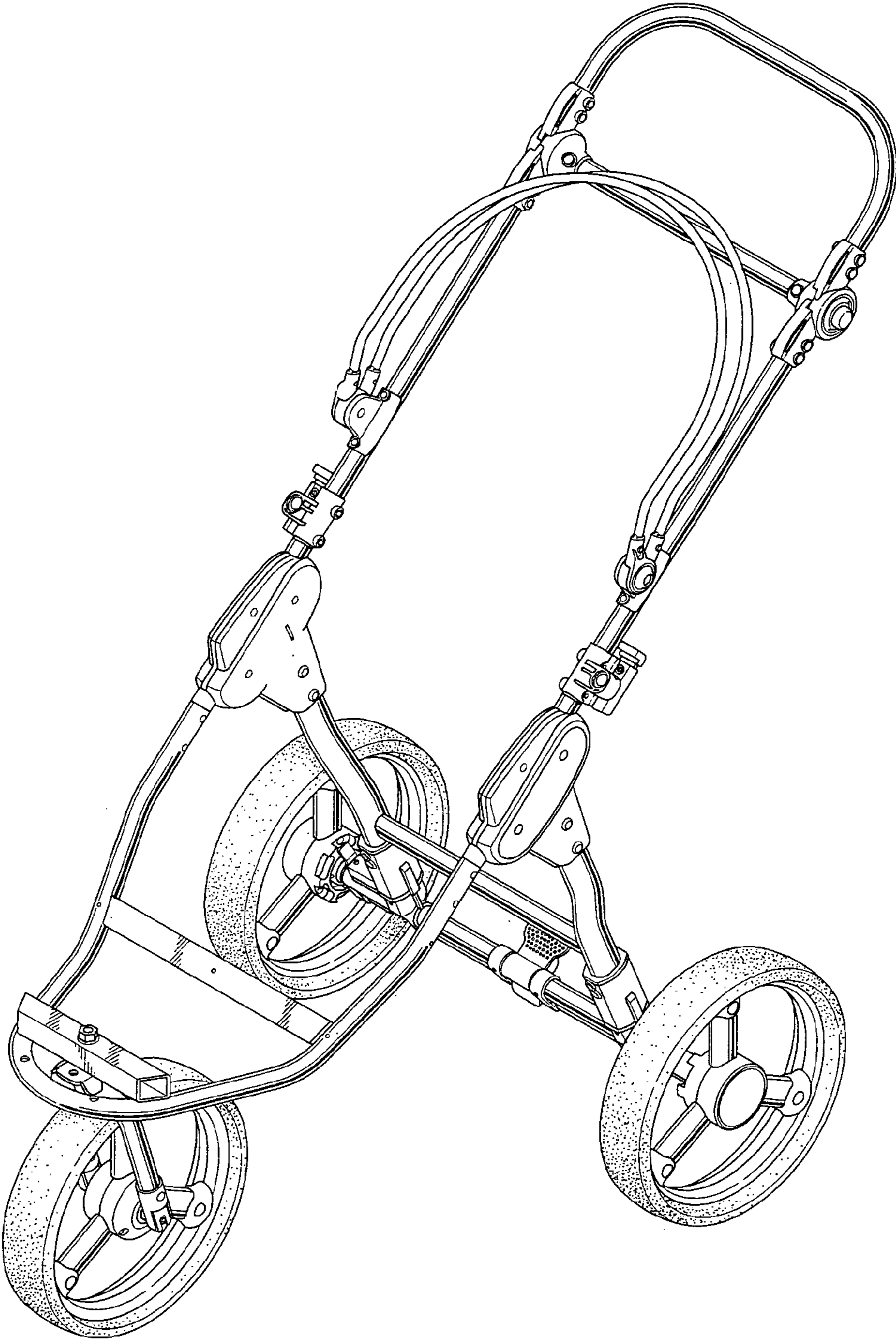


FIG. 1

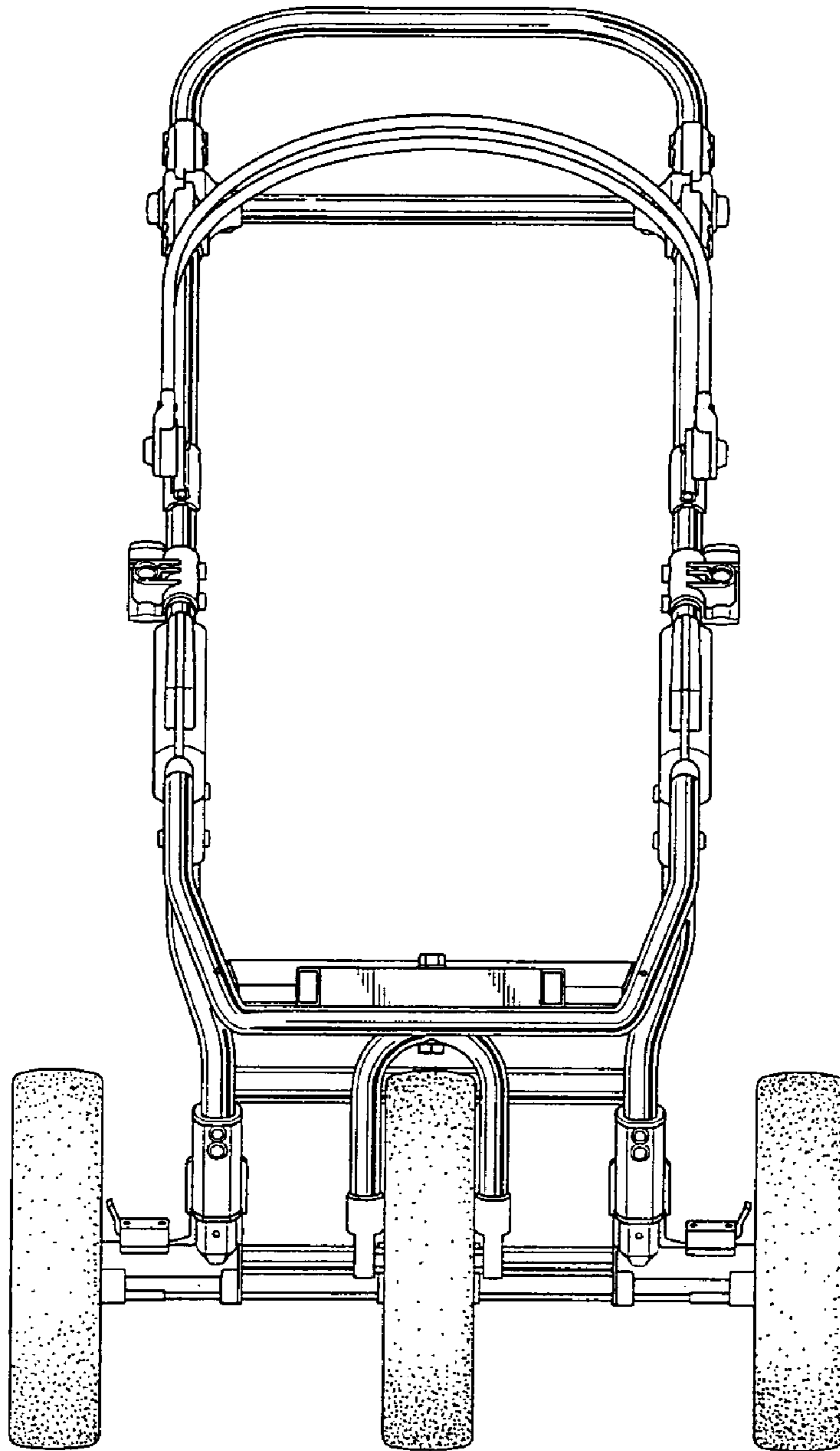


FIG. 2



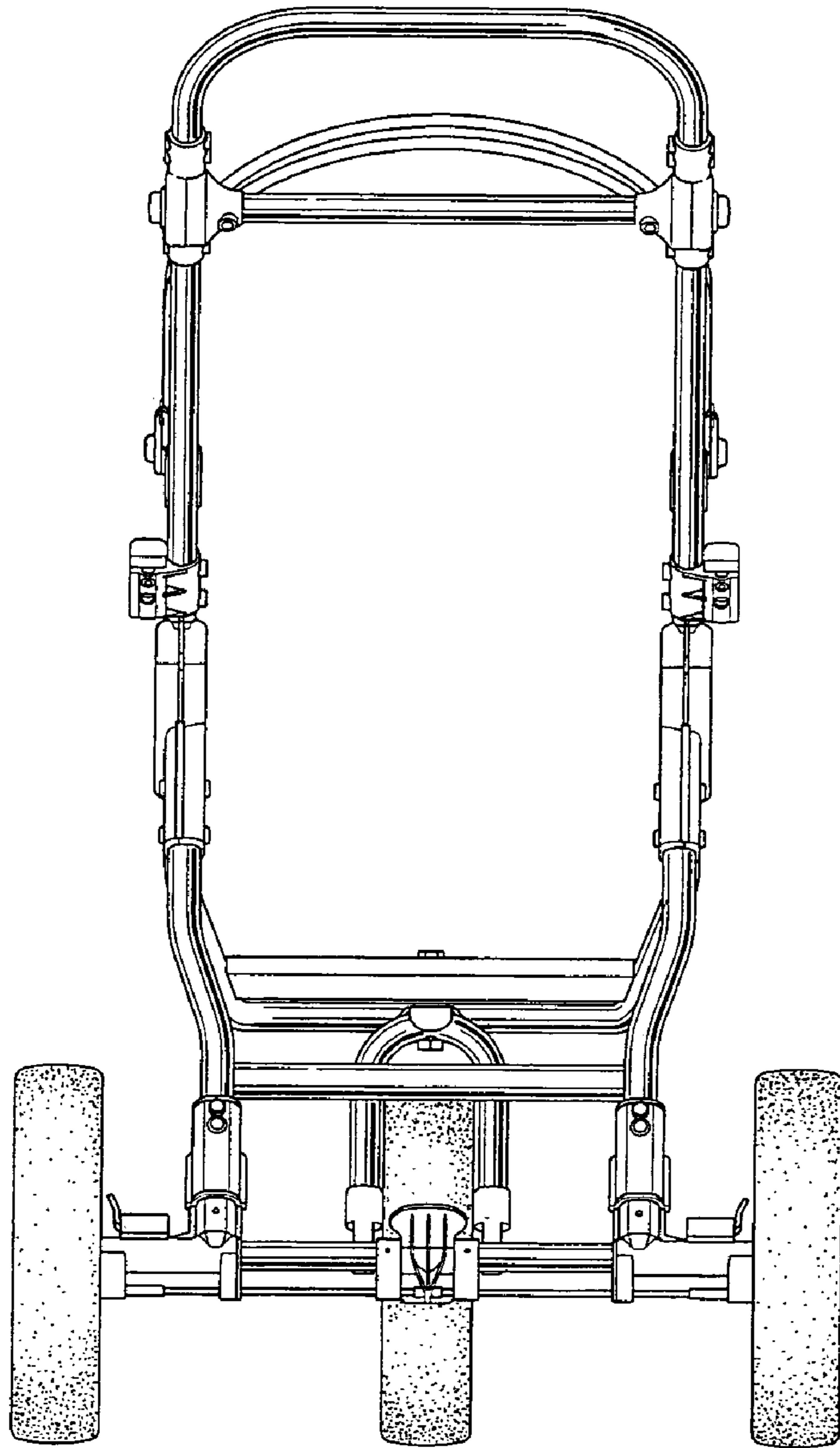


FIG. 3

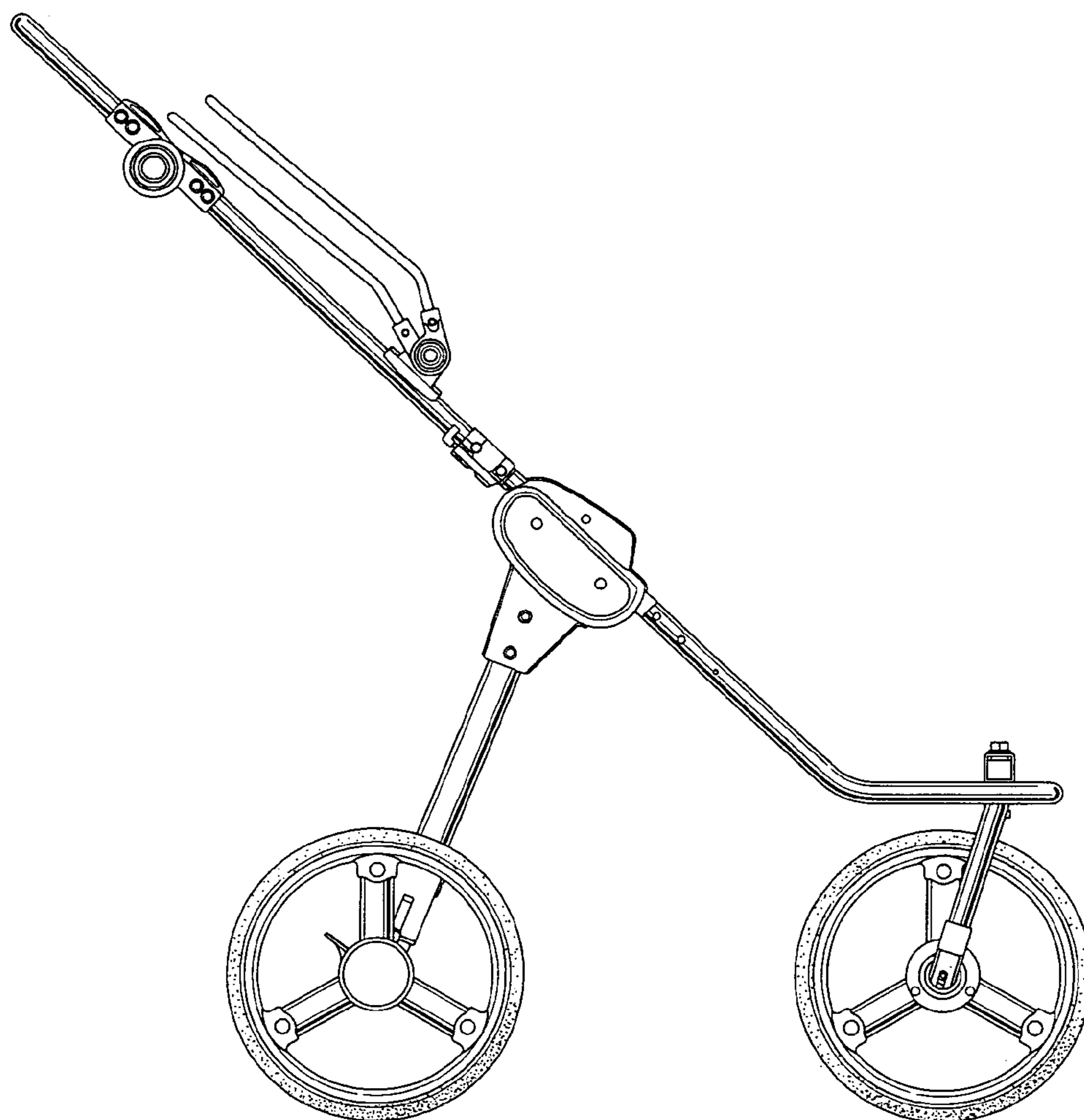


FIG. 4

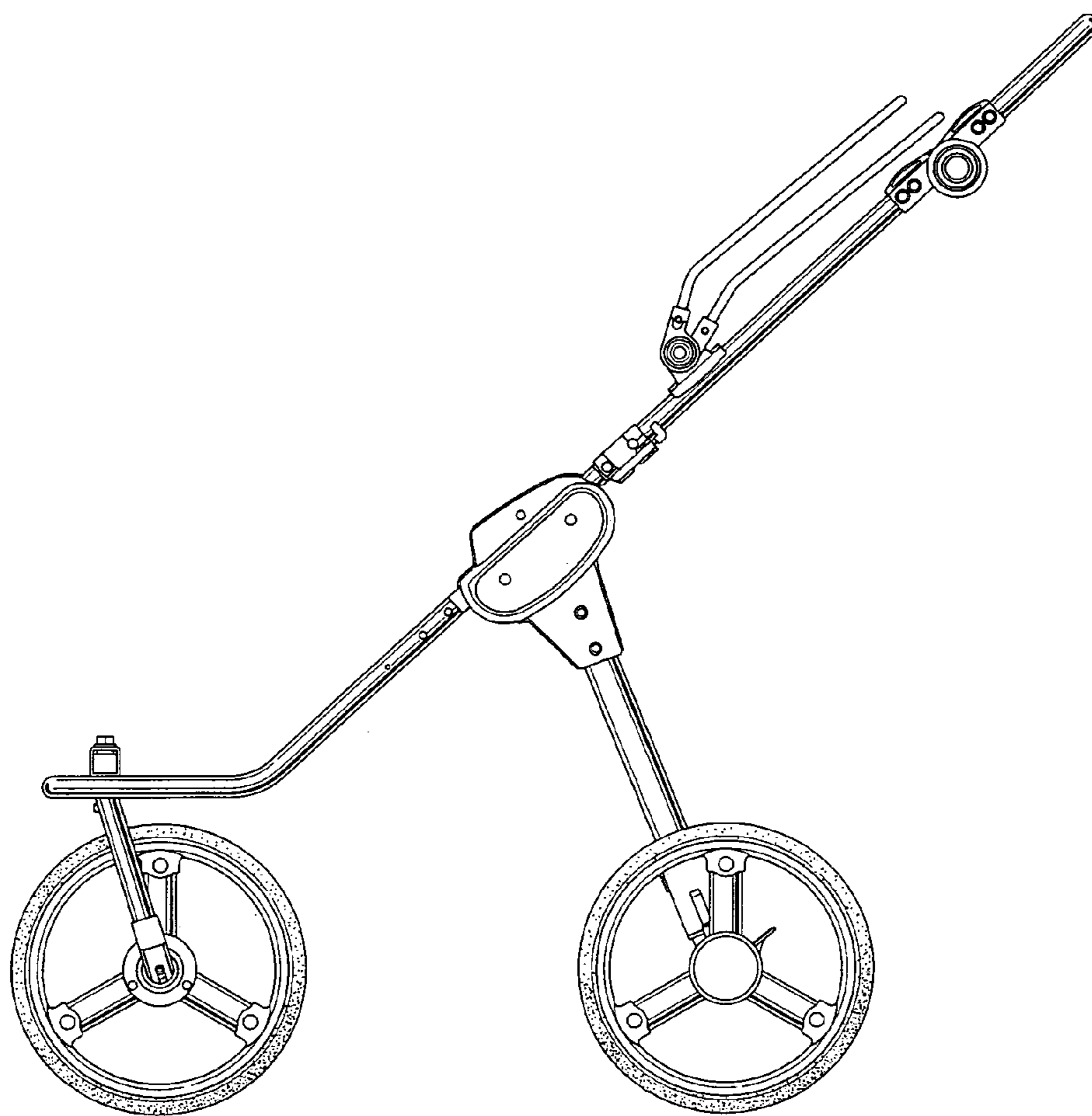


FIG. 5

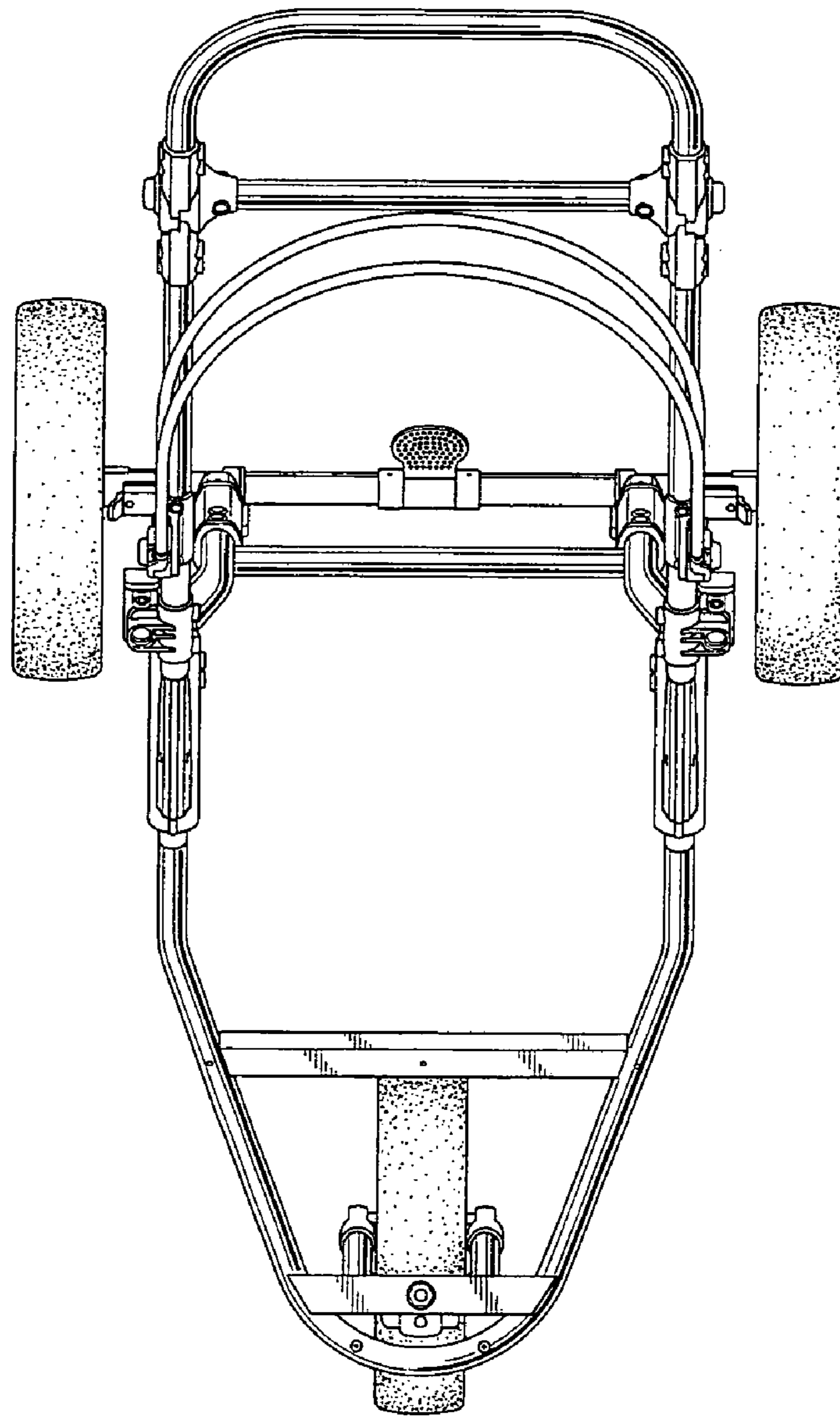


FIG. 6

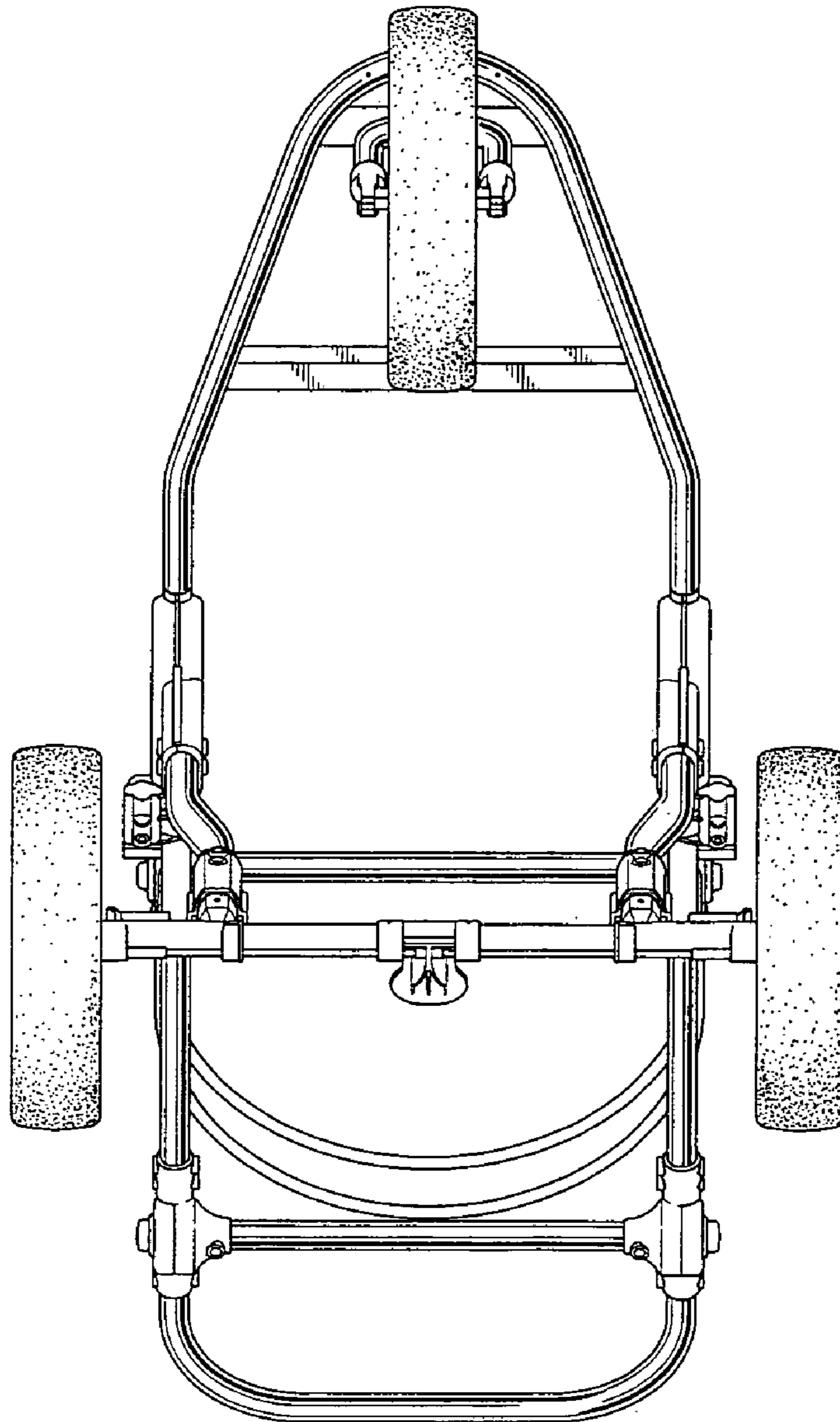


FIG. 7