



US00D616337S

(12) **United States Design Patent**  
**Kho et al.**

(10) **Patent No.:** **US D616,337 S**  
(45) **Date of Patent:** **\*\* May 25, 2010**

(54) **STROLLER**

(76) Inventors: **David Chuanhankho Kho**, Calle Avila  
4, 46185, La Pobla de Vallbona (ES);  
**En-Chi Wang**, No. 51, Lane 31, Sec. 2,  
Changping Rd., Beitun Dist., Taichung  
(TW)

(\*\*) Term: **14 Years**

(21) Appl. No.: **29/343,231**

(22) Filed: **Sep. 9, 2009**

(51) **LOC (9) Cl.** ..... **12-12**

(52) **U.S. Cl.** ..... **D12/129**

(58) **Field of Classification Search** ..... D12/128-133;  
D6/360, 367; 280/62, 647-650, 29, 200,  
280/47.38, 250.1, 259, 642, 658; 297/DIG. 4;  
296/65.03, 65.04; 224/409; D21/425, 426;  
D34/17, 18

See application file for complete search history.

(56) **References Cited**

**U.S. PATENT DOCUMENTS**

7,377,537 B2 \* 5/2008 Li ..... 280/650  
D572,175 S \* 7/2008 Lai ..... D12/129

D585,336 S \* 1/2009 van Buul et al. .... D12/129  
D587,635 S \* 3/2009 Gower et al. .... D12/129  
D596,997 S \* 7/2009 Yeh ..... D12/129  
2008/0224450 A1 \* 9/2008 Van der Vegt ..... 280/642

\* cited by examiner

*Primary Examiner*—Charles A Rademaker  
*Assistant Examiner*—Charles D Hanson  
(74) *Attorney, Agent, or Firm*—patenttm.us

(57) **CLAIM**

The ornamental design for a stroller, as shown and described.

**DESCRIPTION**

FIG. 1 is a perspective view of a stroller, showing our new design;

FIG. 2 is a front view thereof;

FIG. 3 is a rear view thereof;

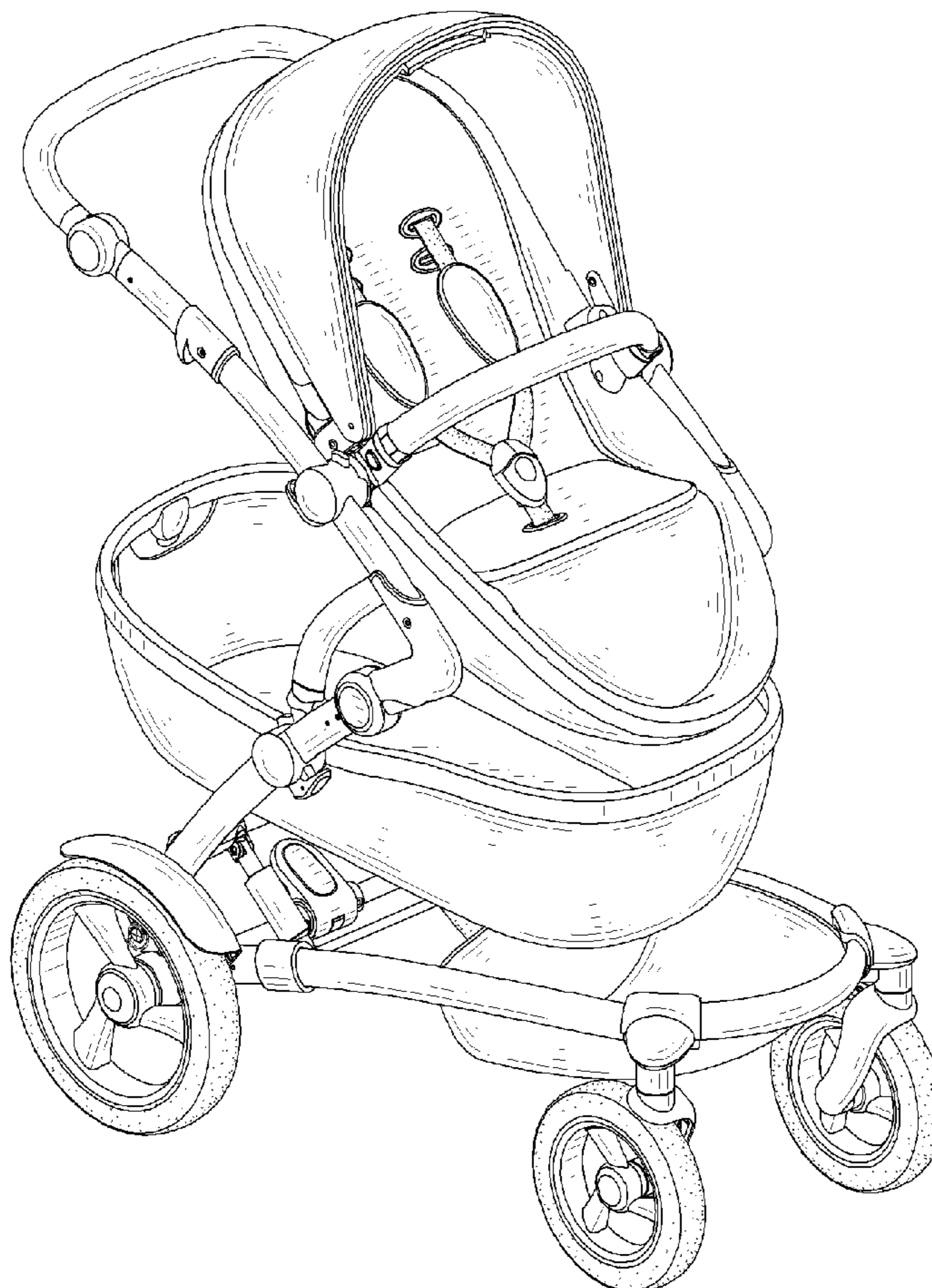
FIG. 4 is a left side view thereof;

FIG. 5 is a right side view thereof;

FIG. 6 is a top view thereof; and,

FIG. 7 is a bottom view thereof.

**1 Claim, 6 Drawing Sheets**



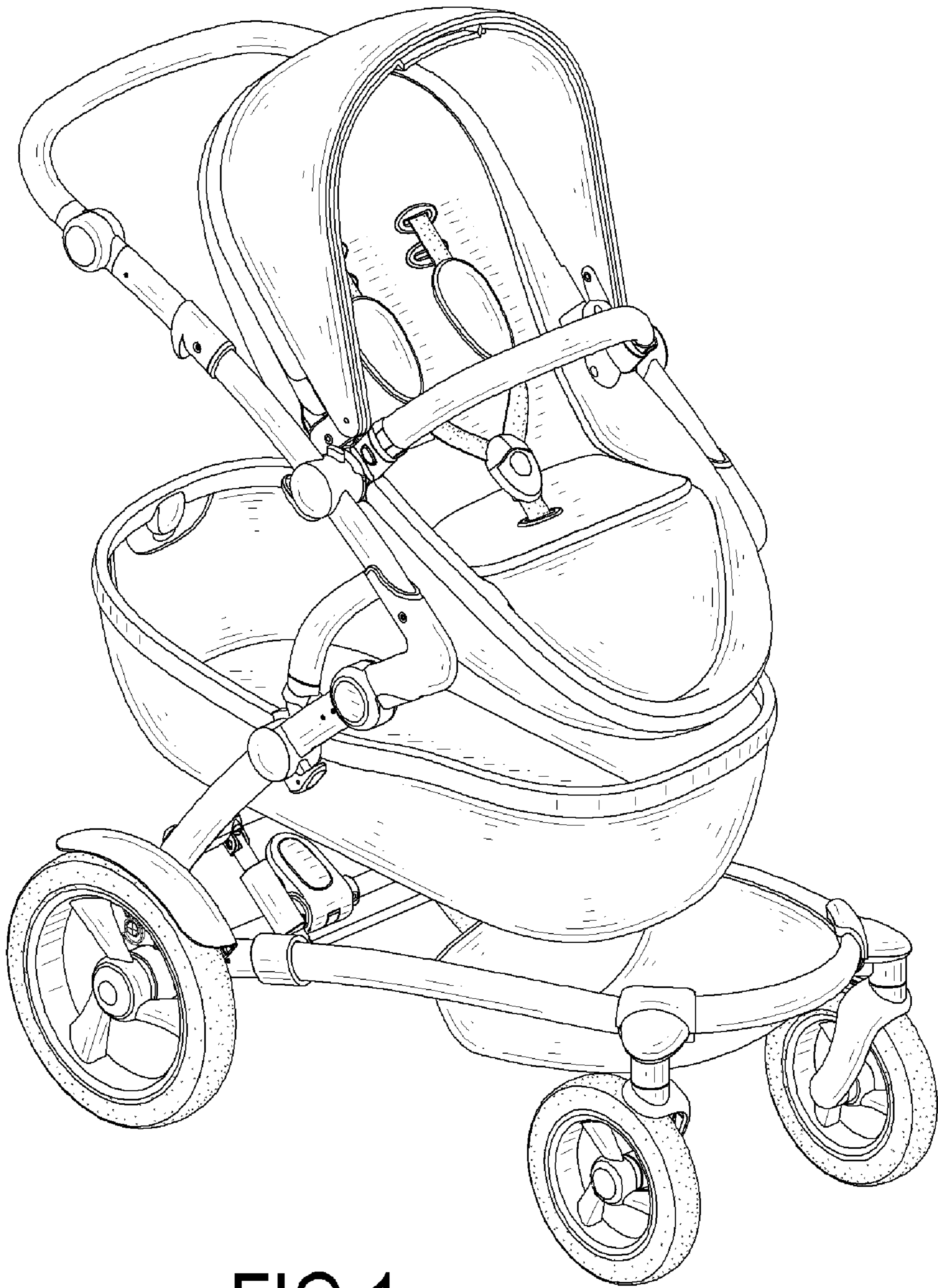


FIG. 1

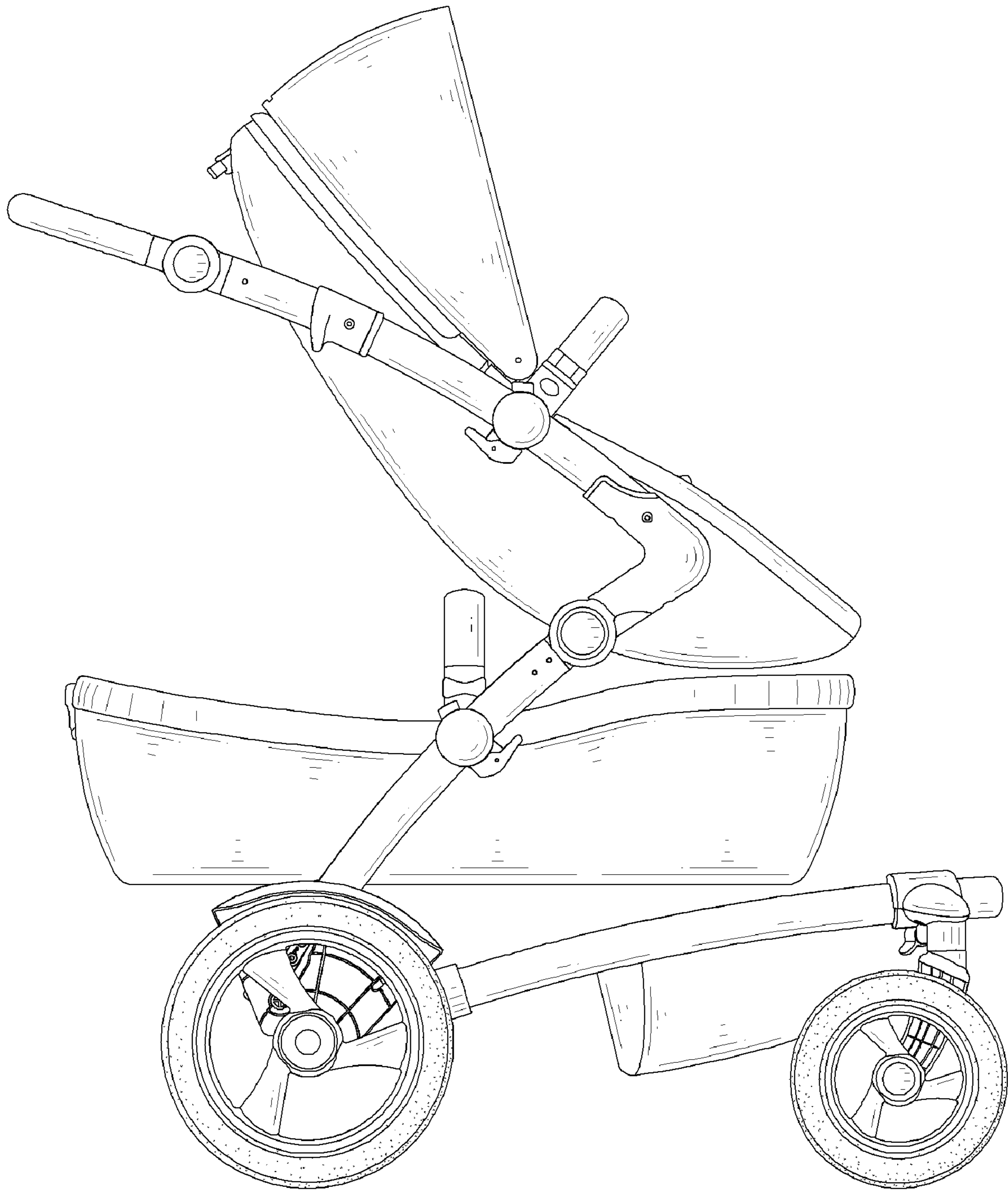


FIG.2

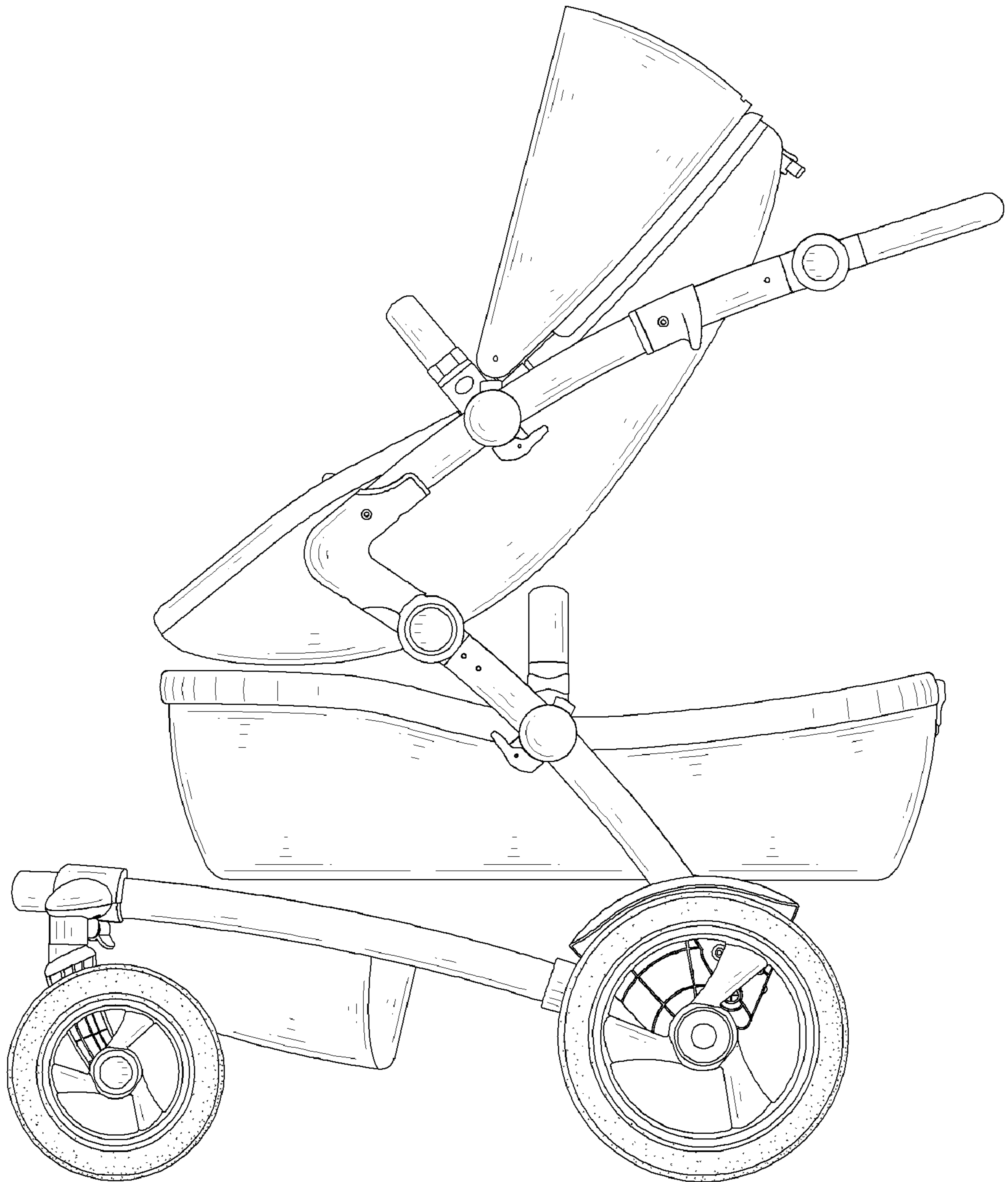


FIG.3

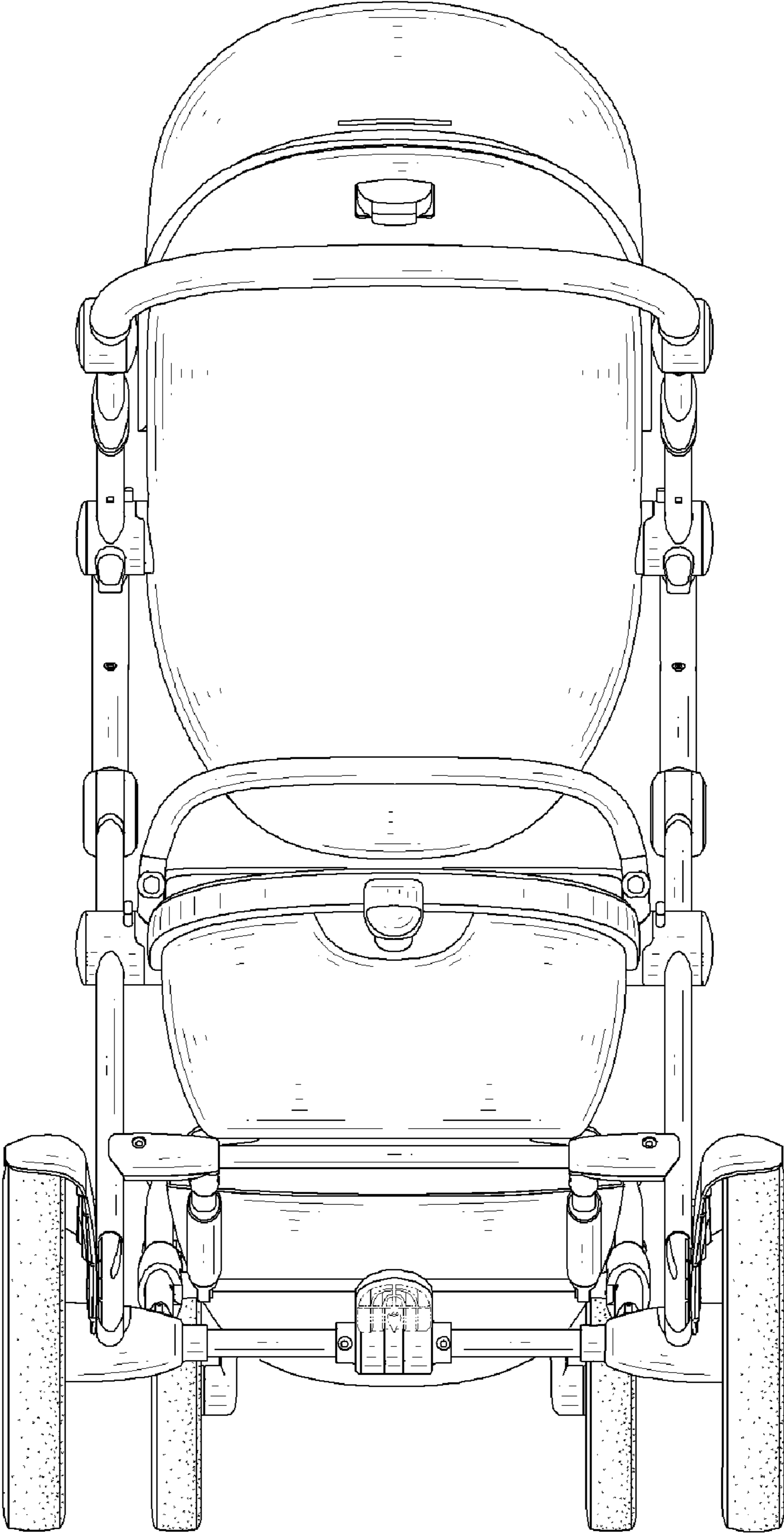


FIG.4

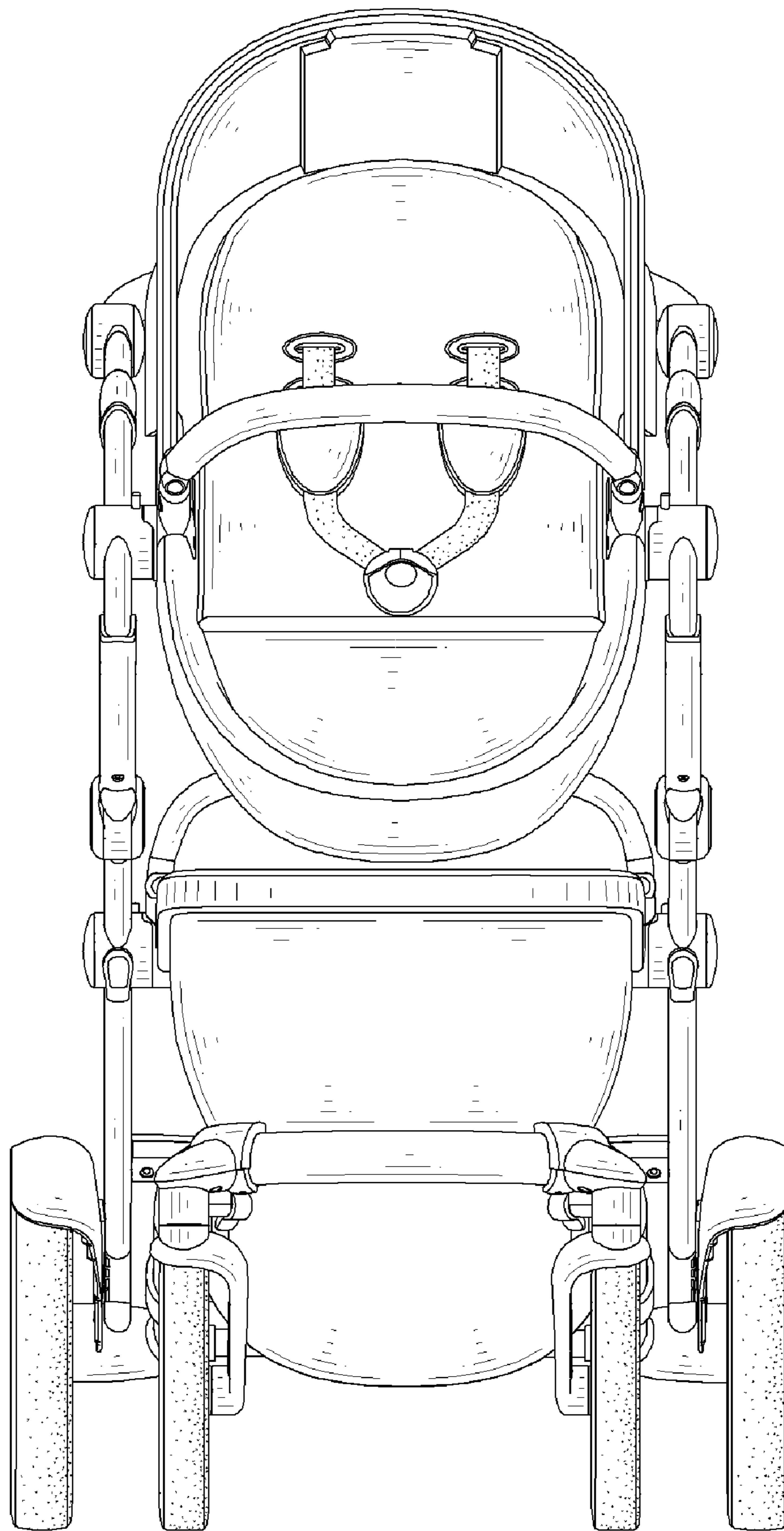


FIG. 5

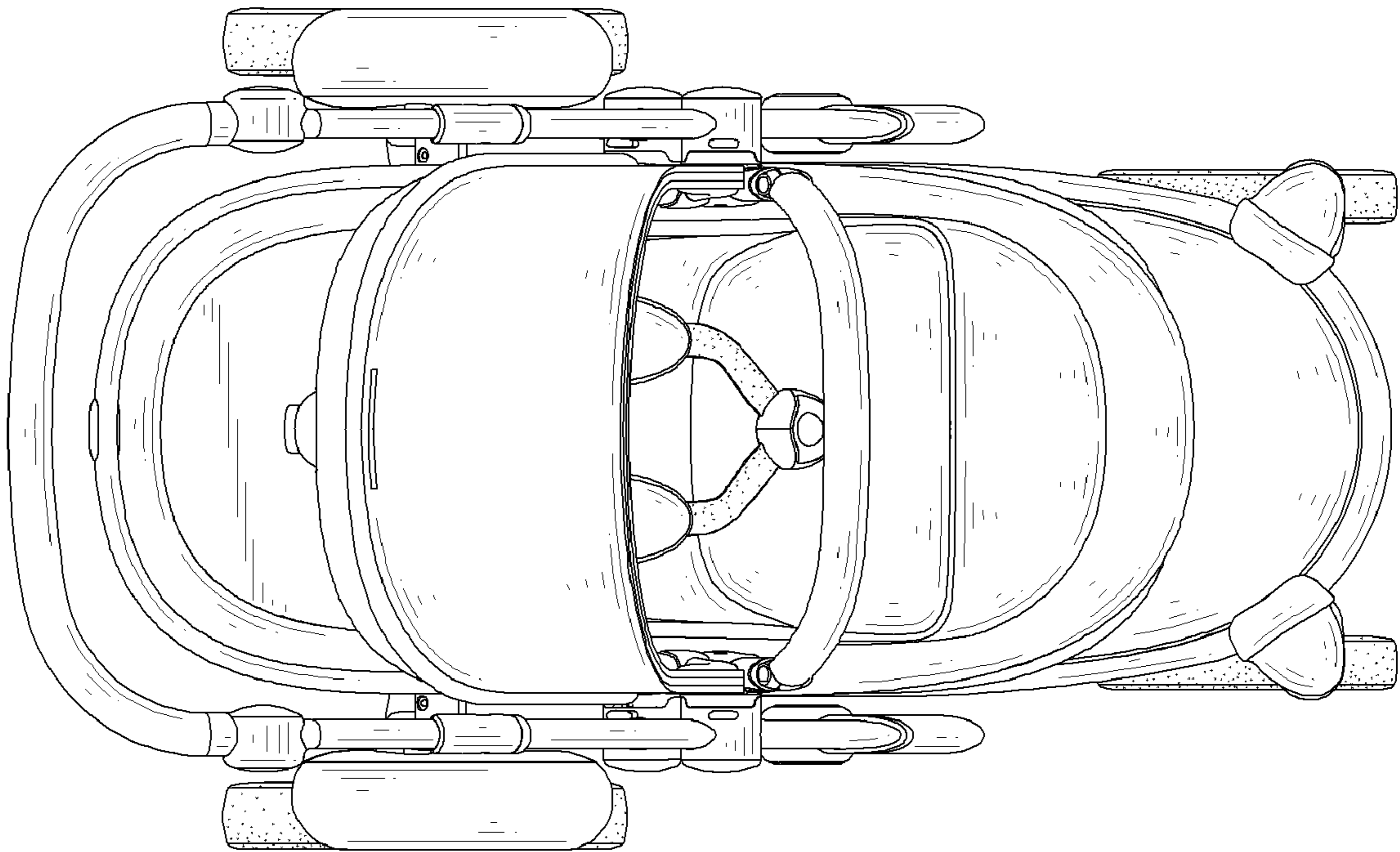


FIG. 6

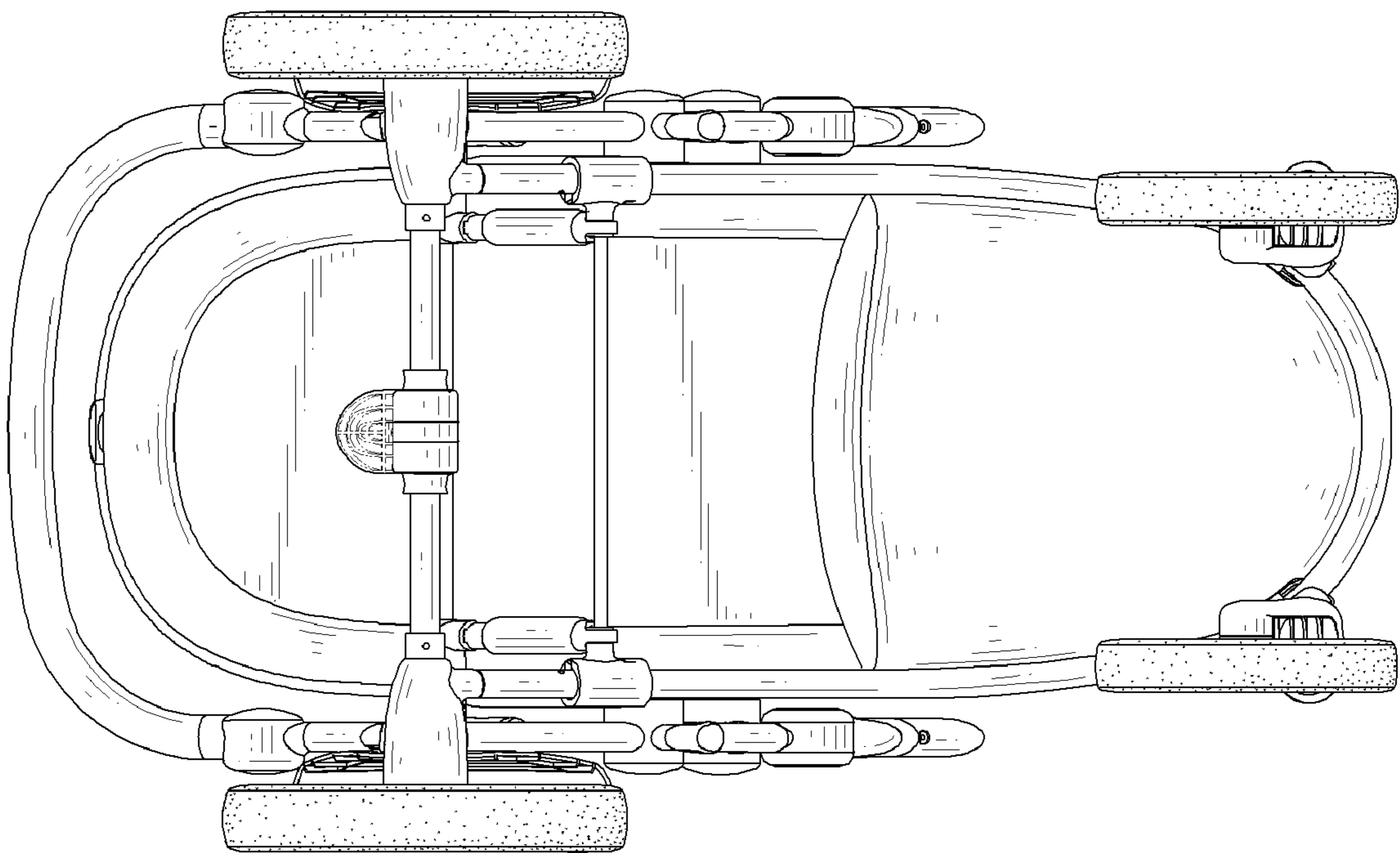


FIG. 7