



US00D616336S

(12) **United States Design Patent**
James et al.

(10) **Patent No.:** **US D616,336 S**
(45) **Date of Patent:** **** *May 25, 2010**

(54) **MOTORCYCLE BRAKE PEDAL ASSEMBLY**

(75) Inventors: **Jesse G. James**, Surfside, CA (US);
Michael Desmond, Long Beach, CA (US)

(73) Assignee: **West Coast Choppers, Inc.**, Long Beach, CA (US)

(*) Notice: This patent is subject to a terminal disclaimer.

(**) Term: **14 Years**

(21) Appl. No.: **29/282,585**

(22) Filed: **Jul. 24, 2007**

(51) **LOC (9) Cl.** **12-11**

(52) **U.S. Cl.** **D12/125**

(58) **Field of Classification Search** D12/110,
D12/114, 125, 179, 180, 122; 74/560, 564,
74/594.4, 594.7, 512, 478, 473.16, 473.17,
74/478.5, 594.6; 296/75; 280/288.4, 291;
180/219, 230; 188/73.1, 344; 192/3.54,
192/3.61, 48.1, 48.3, 48.7, 99 A, 99 B, 99 R,
192/99 S

See application file for complete search history.

(56) **References Cited**

U.S. PATENT DOCUMENTS

5,476,162	A *	12/1995	Reed et al.	188/344
5,661,999	A *	9/1997	Carone	74/473.16
D401,535	S *	11/1998	Joseph, Jr.	D12/114
6,339,972	B1 *	1/2002	Paris	74/564
D498,442	S *	11/2004	James	D12/114
7,028,818	B1 *	4/2006	James	188/344
D521,421	S *	5/2006	Okada	D12/125

OTHER PUBLICATIONS

GT Bear Claw BMX Pedals ebay product listing; <http://cgi.ebay.com/ws/eBayISAPI.dll?ViewItem&item=330083527373>; downloaded Feb. 5, 2007; 4 pages.

James, U.S. Appl. No. 29/276,157, filed Jan. 17, 2007.

James, U.S. Appl. No. 29/276,160, filed Jan. 17, 2007.

James, U.S. Appl. No. 29/276,161, filed Jan. 18, 2007.

* cited by examiner

Primary Examiner—Cathron C Brooks

Assistant Examiner—Linda Brooks

(74) *Attorney, Agent, or Firm*—Yanny & Smith, A Law Corporation; Joseph A. Yanny

(57) **CLAIM**

The ornamental design for a motorcycle brake pedal assembly, substantially as shown and described.

DESCRIPTION

FIG. 1 is a perspective view of a brake pedal assembly showing our new design in position of use on a brake arm;

FIG. 2 is a front elevational view of the brake pedal assembly of FIG. 1;

FIG. 3 is a rear elevational view of the brake pedal assembly of FIG. 1;

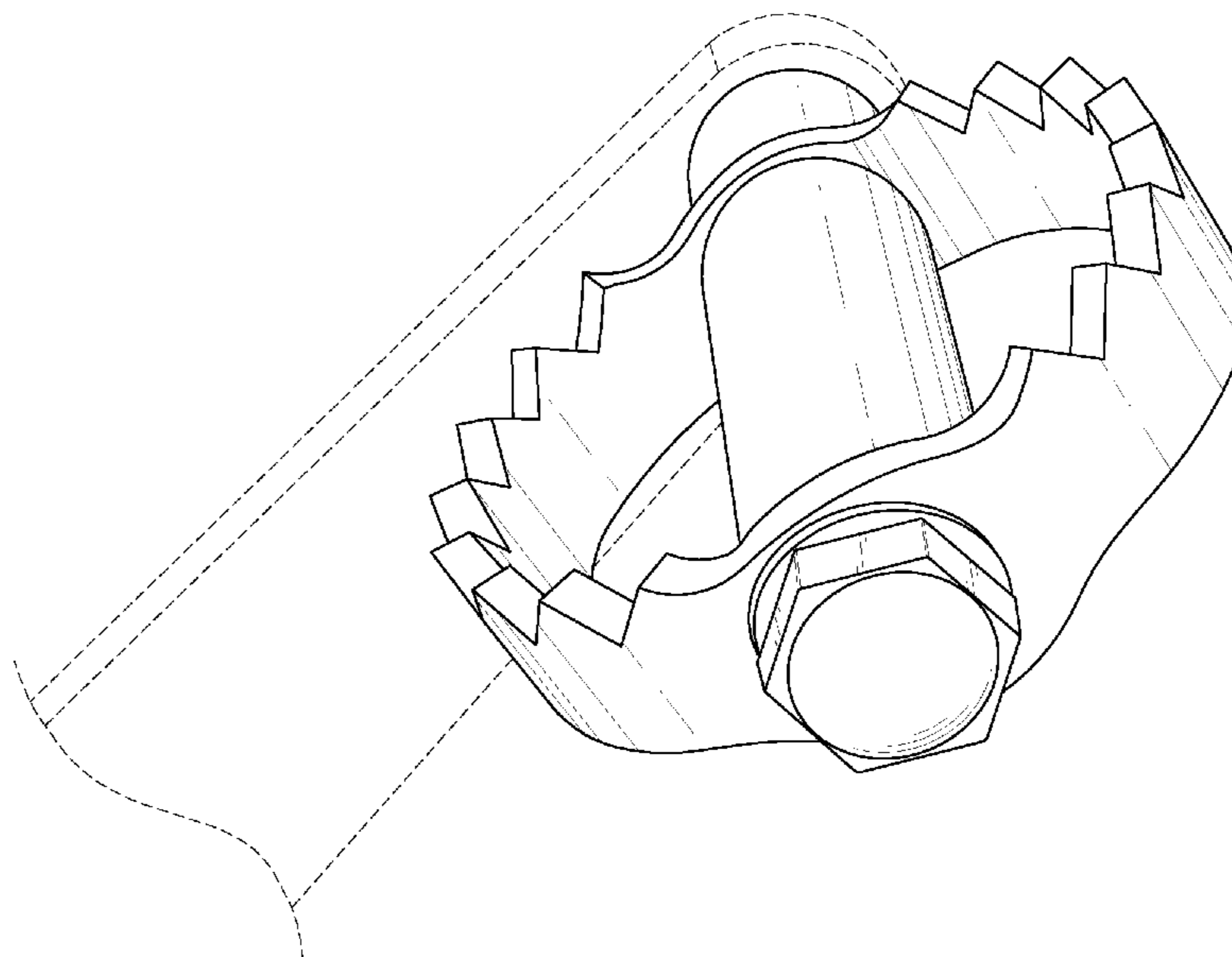
FIG. 4 is a right side elevational view of the brake pedal assembly of FIG. 1 with the left side elevational view being a mirror image thereof;

FIG. 5 is a top plan view of the brake pedal assembly of FIG. 1; and,

FIG. 6 is a bottom plan view of the brake pedal assembly of FIG. 1.

The dotted lines showing a portion of a brake arm in FIG. 1 are environmental only and form no part of the claimed design.

1 Claim, 5 Drawing Sheets



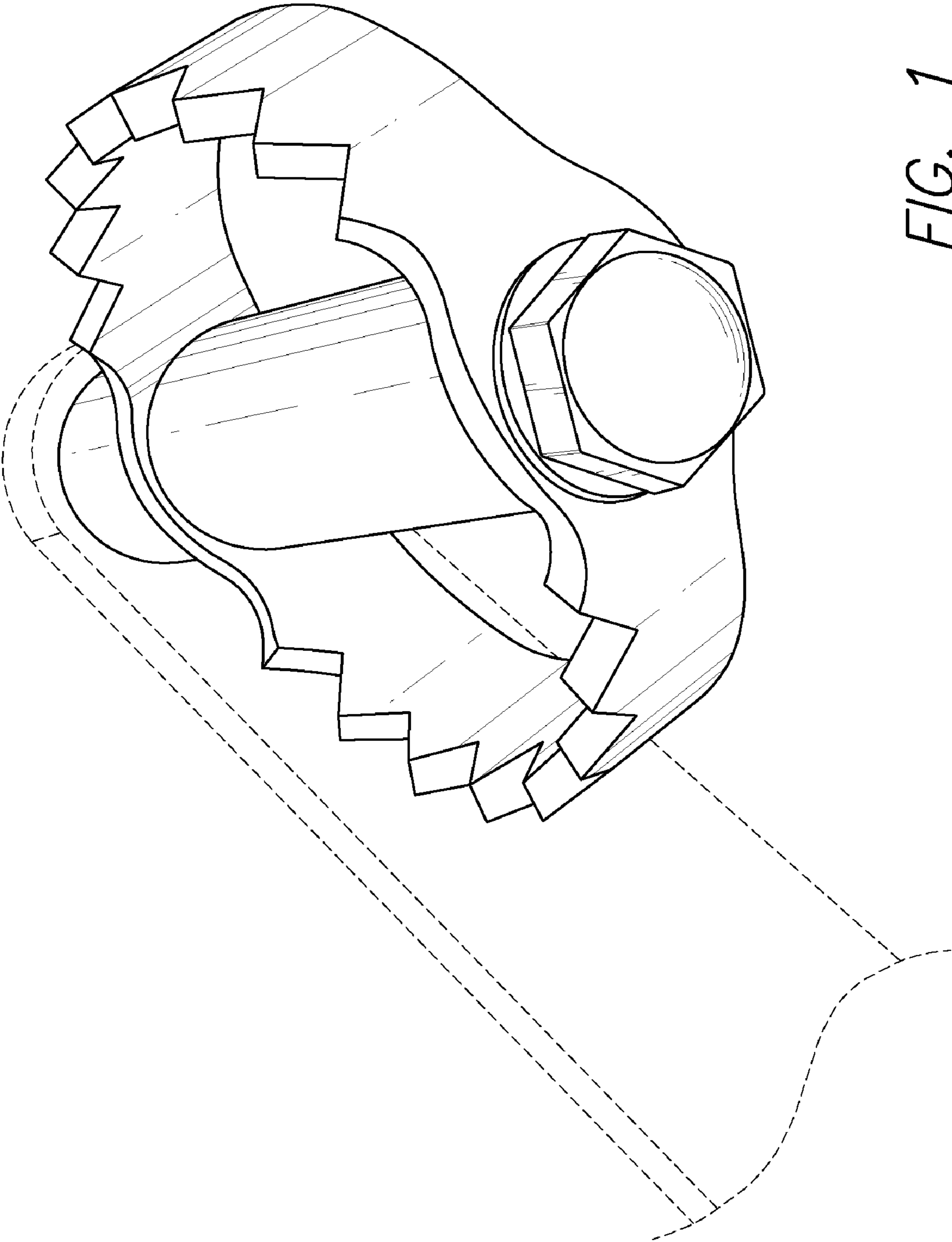


FIG. 1

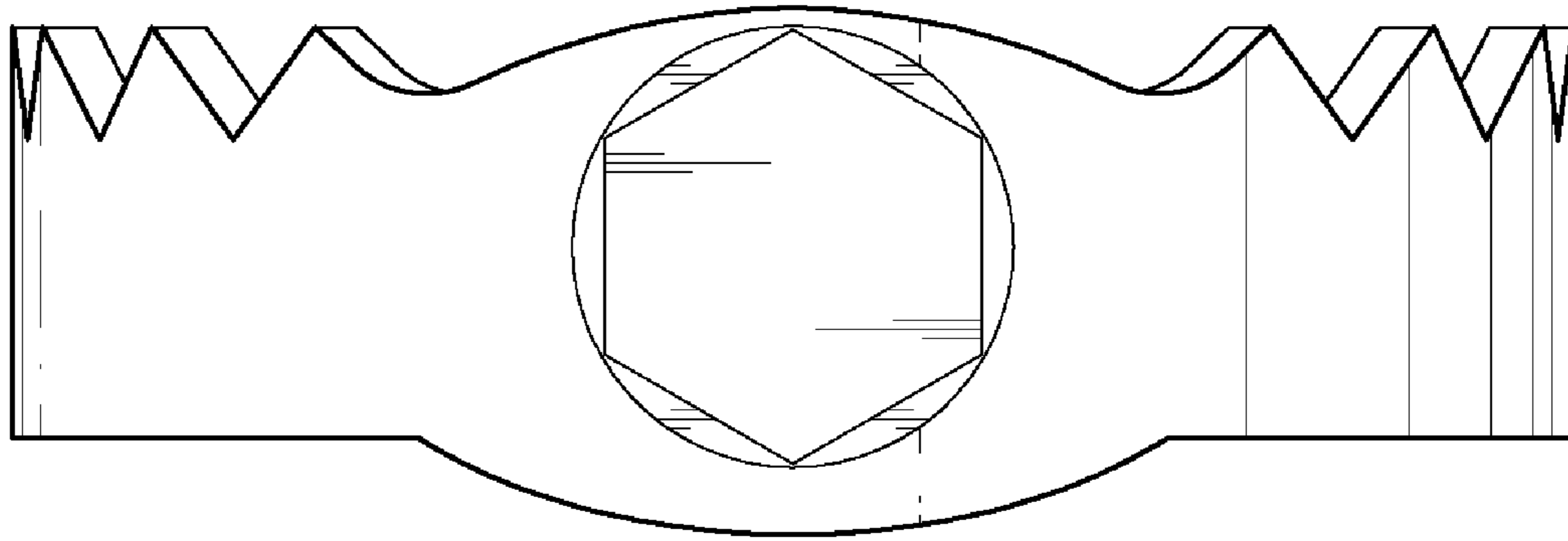


FIG. 2

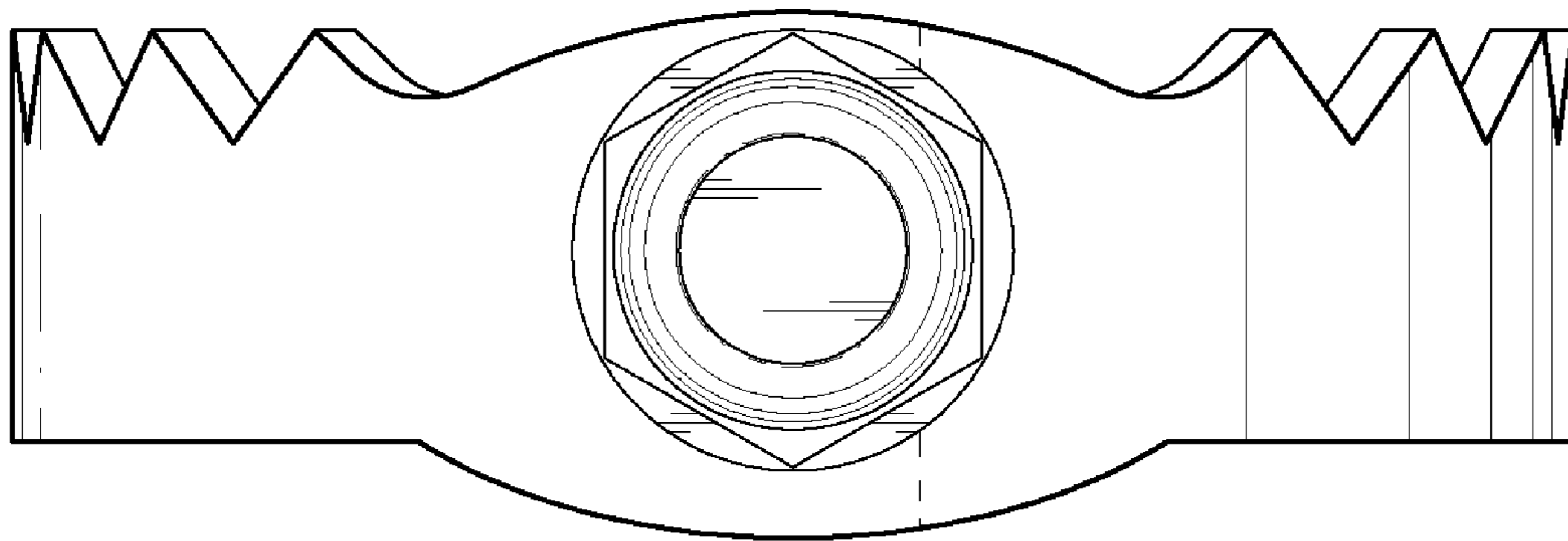


FIG. 3

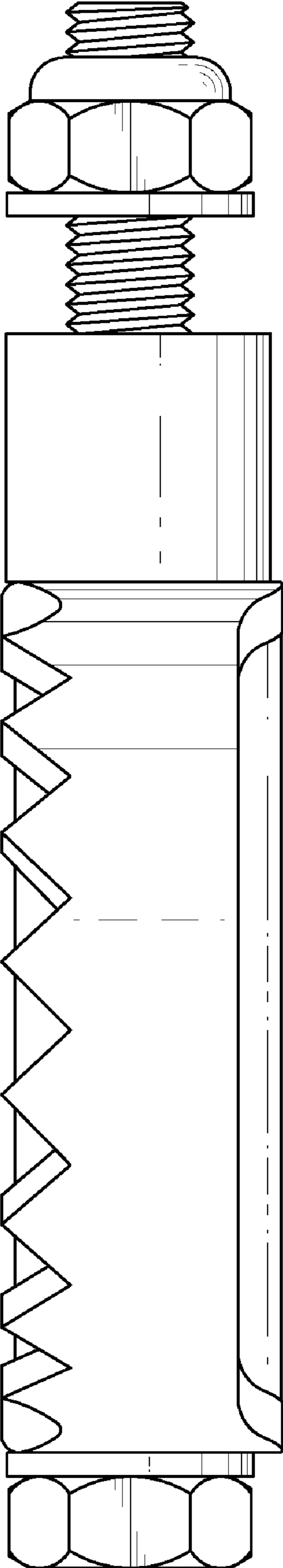


FIG. 4

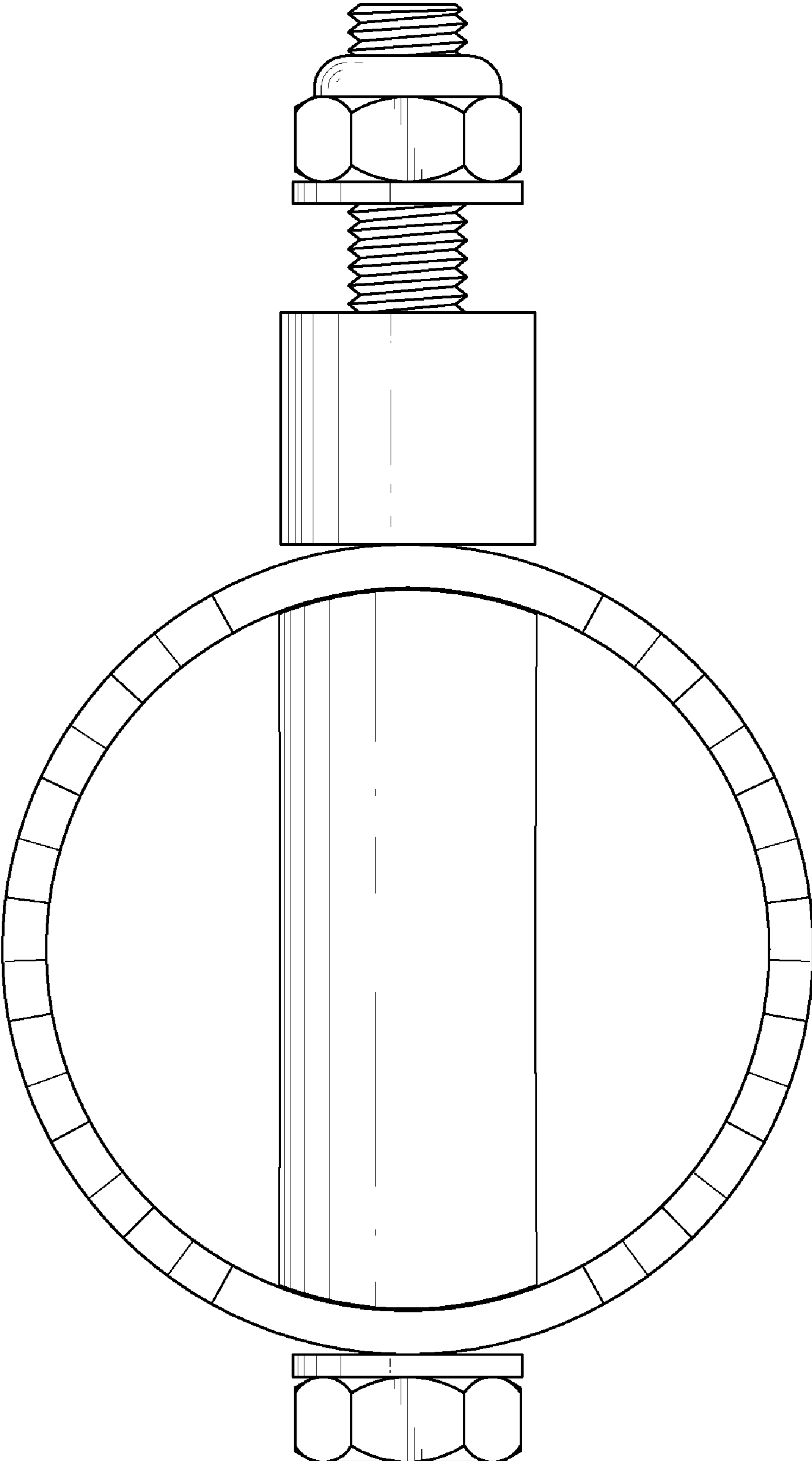


FIG. 5

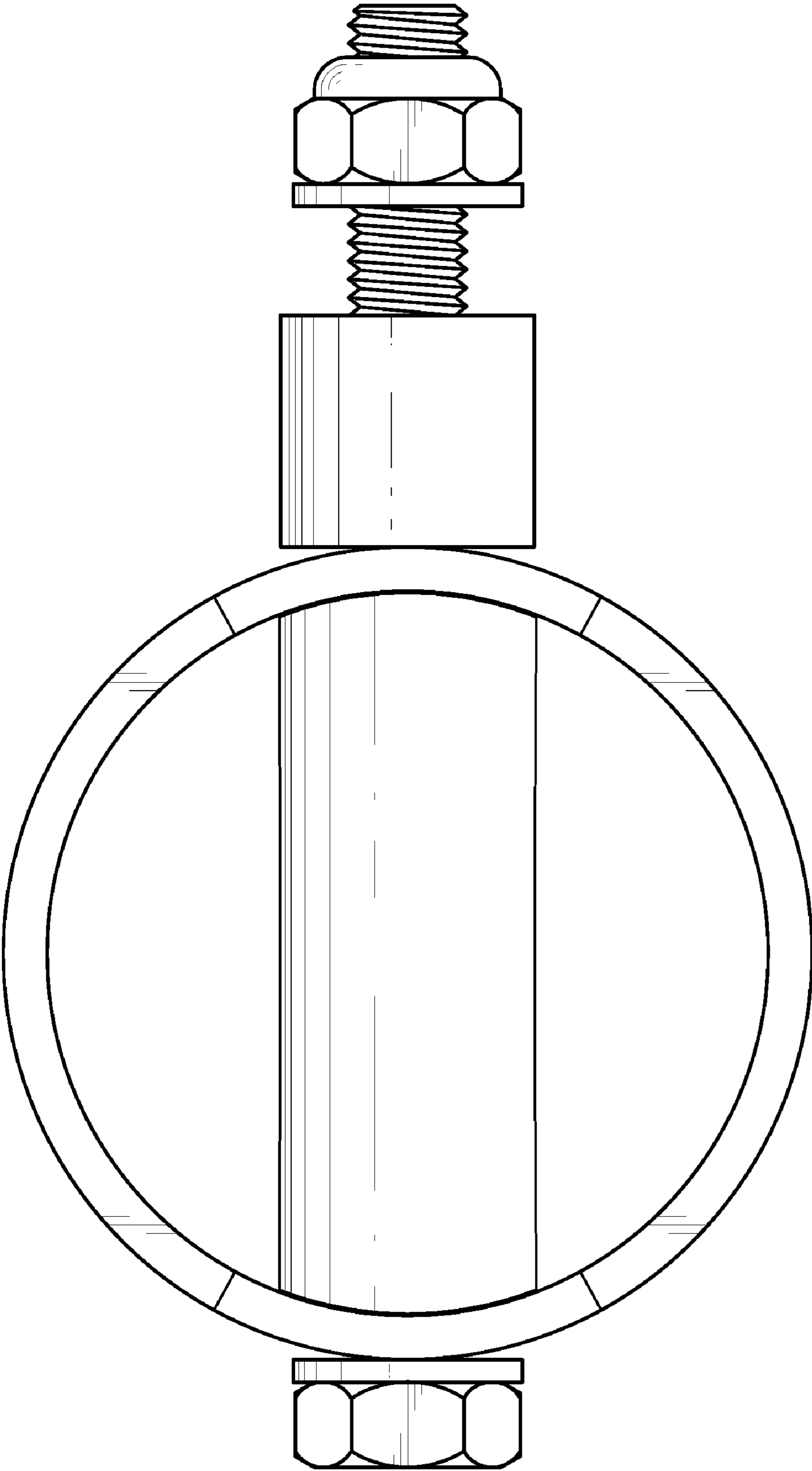


FIG. 6