



US00D616335S

(12) **United States Design Patent**
Kubota

(10) **Patent No.:** **US D616,335 S**
(45) **Date of Patent:** **** May 25, 2010**

(54) **BICYCLE**

(75) Inventor: **Norio Kubota**, Toyota (JP)

(73) Assignee: **Toyota Jidosha Kabushiki Kaisha**,
Toyota (JP)

(**) Term: **14 Years**

(21) Appl. No.: **29/334,843**

(22) Filed: **Apr. 2, 2009**

(30) **Foreign Application Priority Data**

Dec. 12, 2008 (JP) 2008-031682

(51) **LOC (9) Cl.** **12-11**

(52) **U.S. Cl.** **D12/111**

(58) **Field of Classification Search** D12/111;
280/274, 281.1, 275-280, 288.1-288.3, 283-288
See application file for complete search history.

(56) **References Cited**

U.S. PATENT DOCUMENTS

4,540,190 A * 9/1985 Moulton 280/278
4,813,696 A * 3/1989 Moulton 280/281.1
D392,602 S * 3/1998 Silva D12/111
6,012,733 A * 1/2000 Rafoth 280/281.1
D535,588 S * 1/2007 Moulton D12/111

OTHER PUBLICATIONS

Nigensha; Yamaha Pas City-X; Bicycle Navi No. 26, Jul. 26, 2007,
Yamaha Pas City-X; Mfg. Yamaha.

Tatsumi Mook; Louis Garneau Jedi; Folding Bicycle and Small Bike
Life; Dec. 1, 2007; Mfg: Louis Garneau Jedi.

Tatsumi Mook; Oxbikes OX-01 Road; Folding Bicycle and Small
Bike Life; Dec. 1, 2007; Mfg: Oxbikes.

* cited by examiner

Primary Examiner—Philip S Hyder

Assistant Examiner—Linda G. Brooks

(74) *Attorney, Agent, or Firm*—Finnegan, Henderson,
Farabow, Garrett & Dunner, LLP

(57) **CLAIM**

The ornamental design for a bicycle, as shown.

DESCRIPTION

FIG. 1 is a front perspective view of a bicycle of my new
design;

FIG. 2 is front view thereof

FIG. 3 is a rear view thereof;

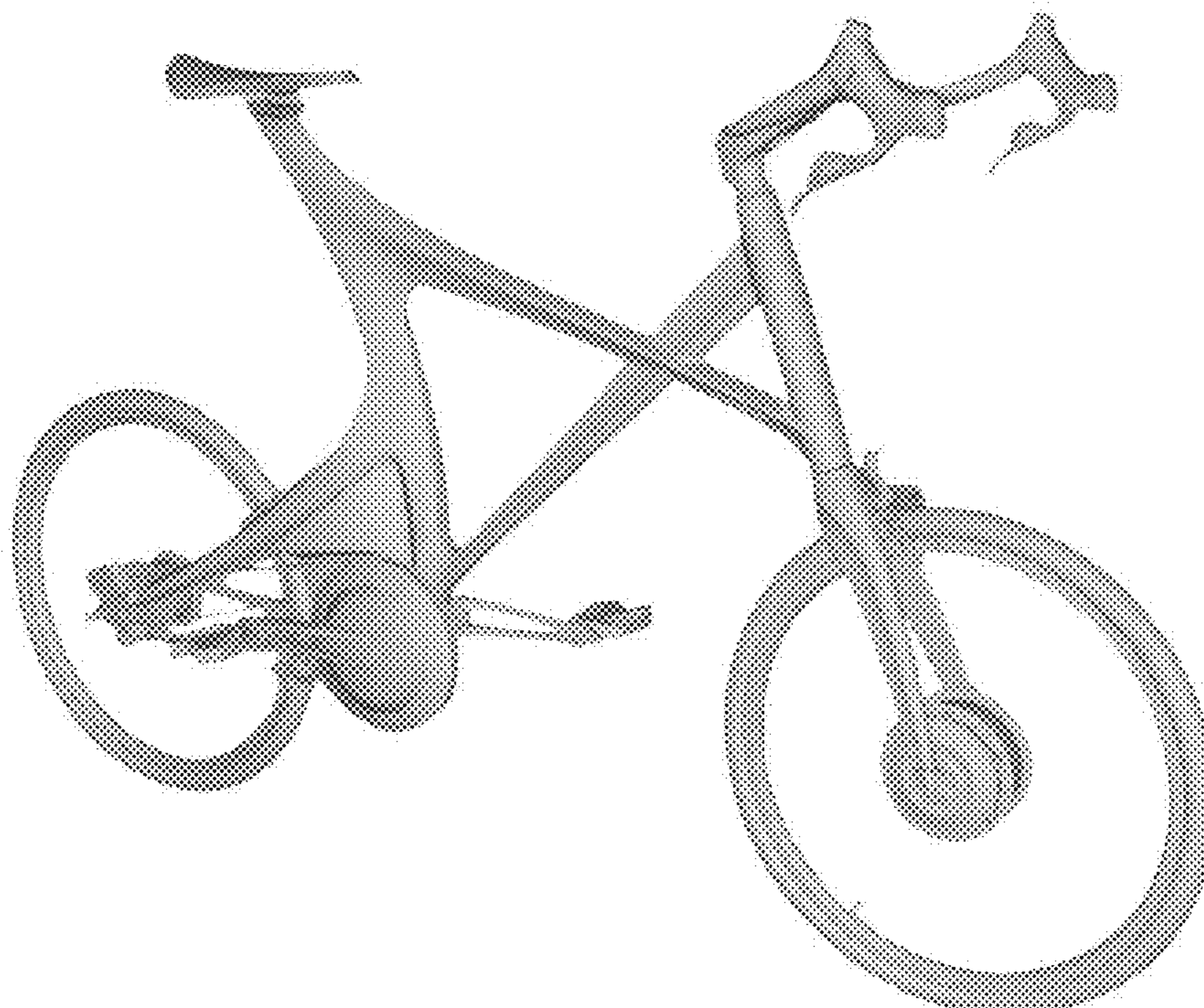
FIG. 4 is a right side view thereof;

FIG. 5 is a left side view thereof;

FIG. 6 is a top view thereof; and,

FIG. 7 is a bottom view thereof.

1 Claim, 5 Drawing Sheets



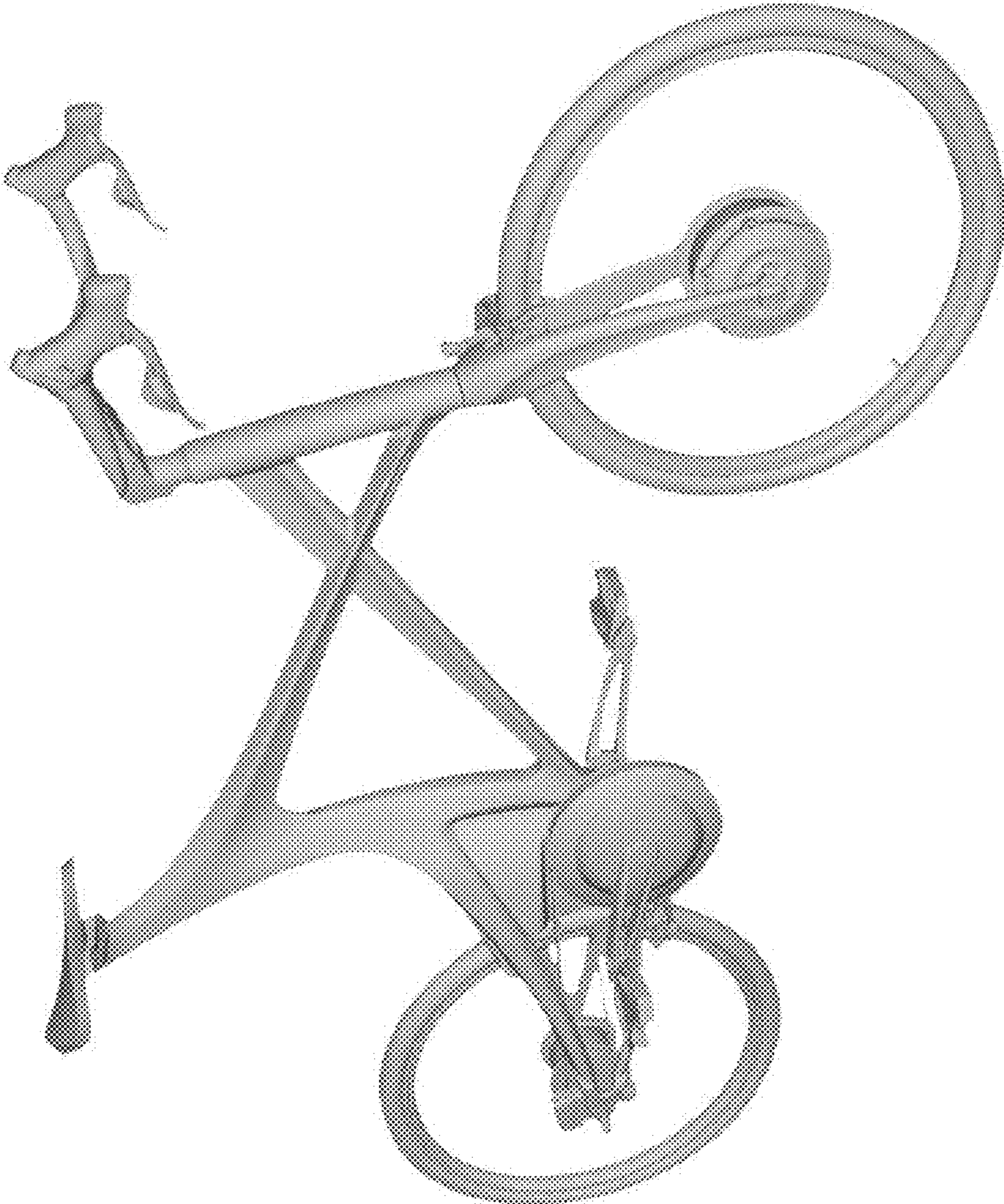


FIG. 1

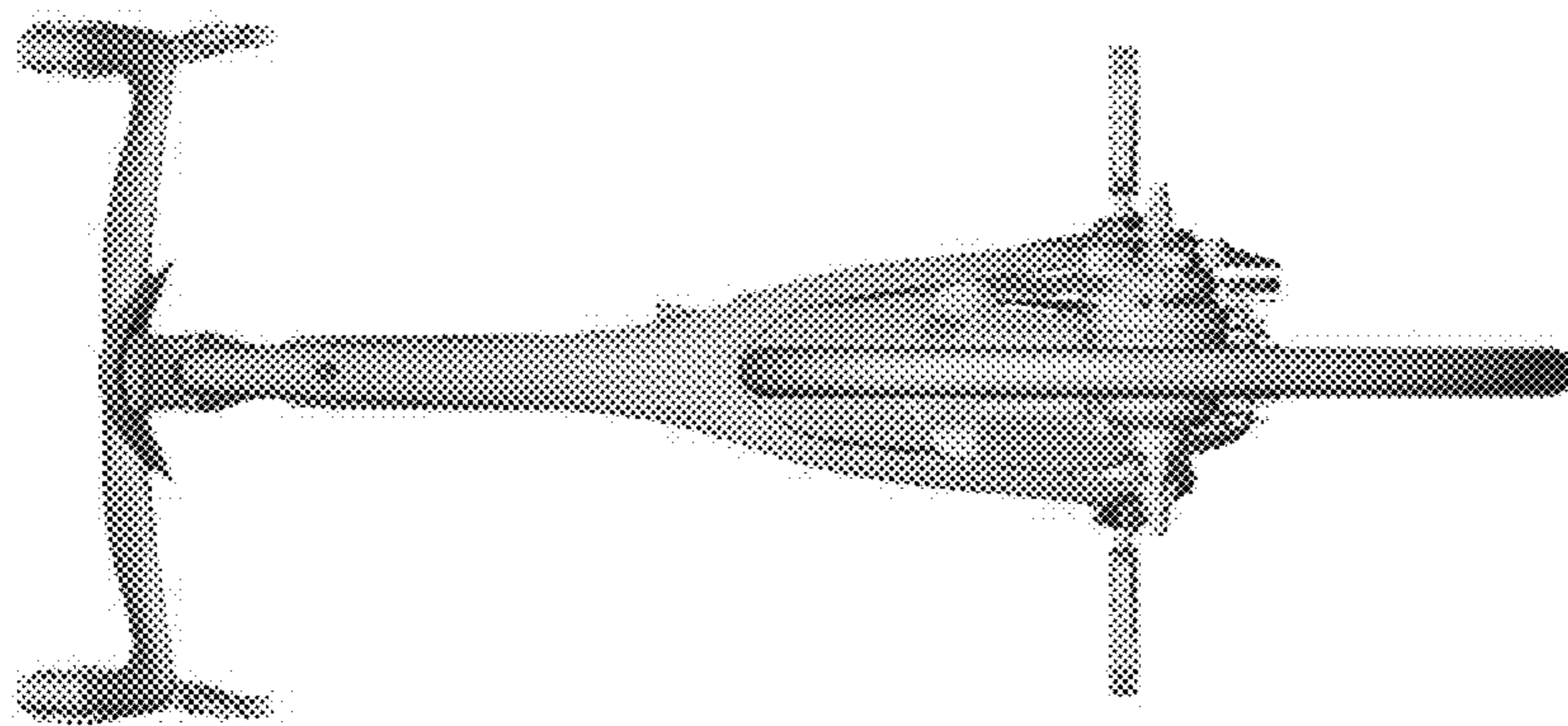


FIG. 3

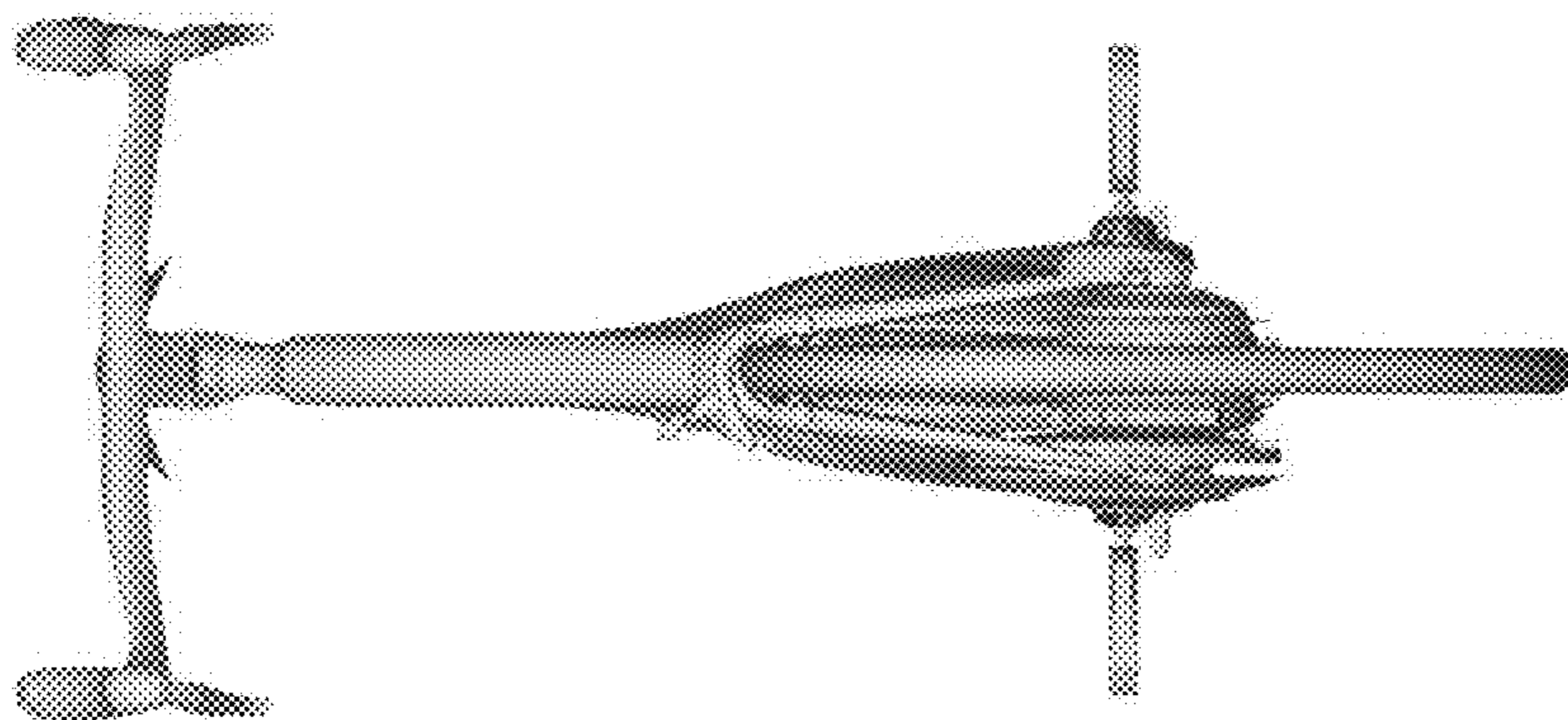


FIG. 2

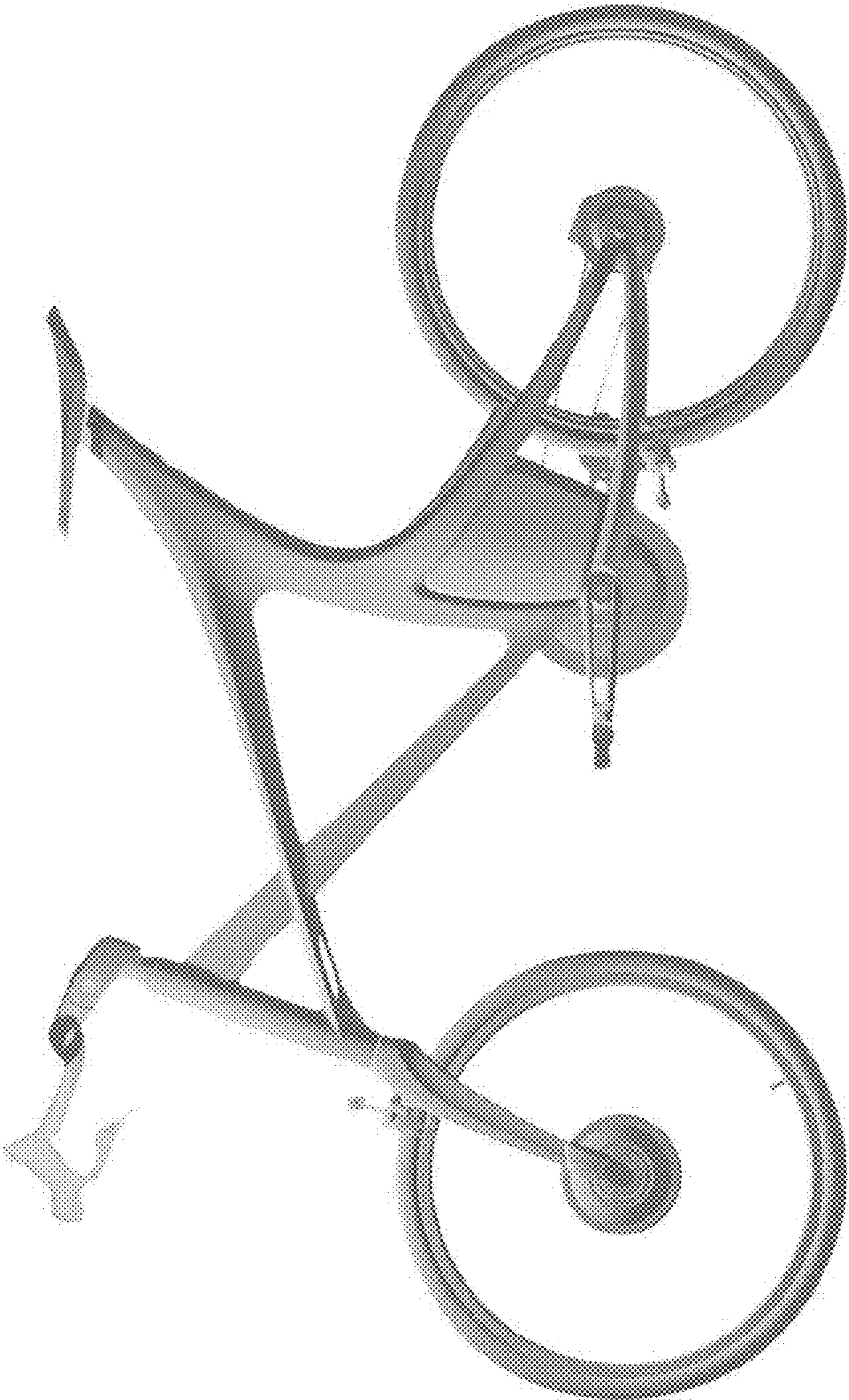


FIG. 4

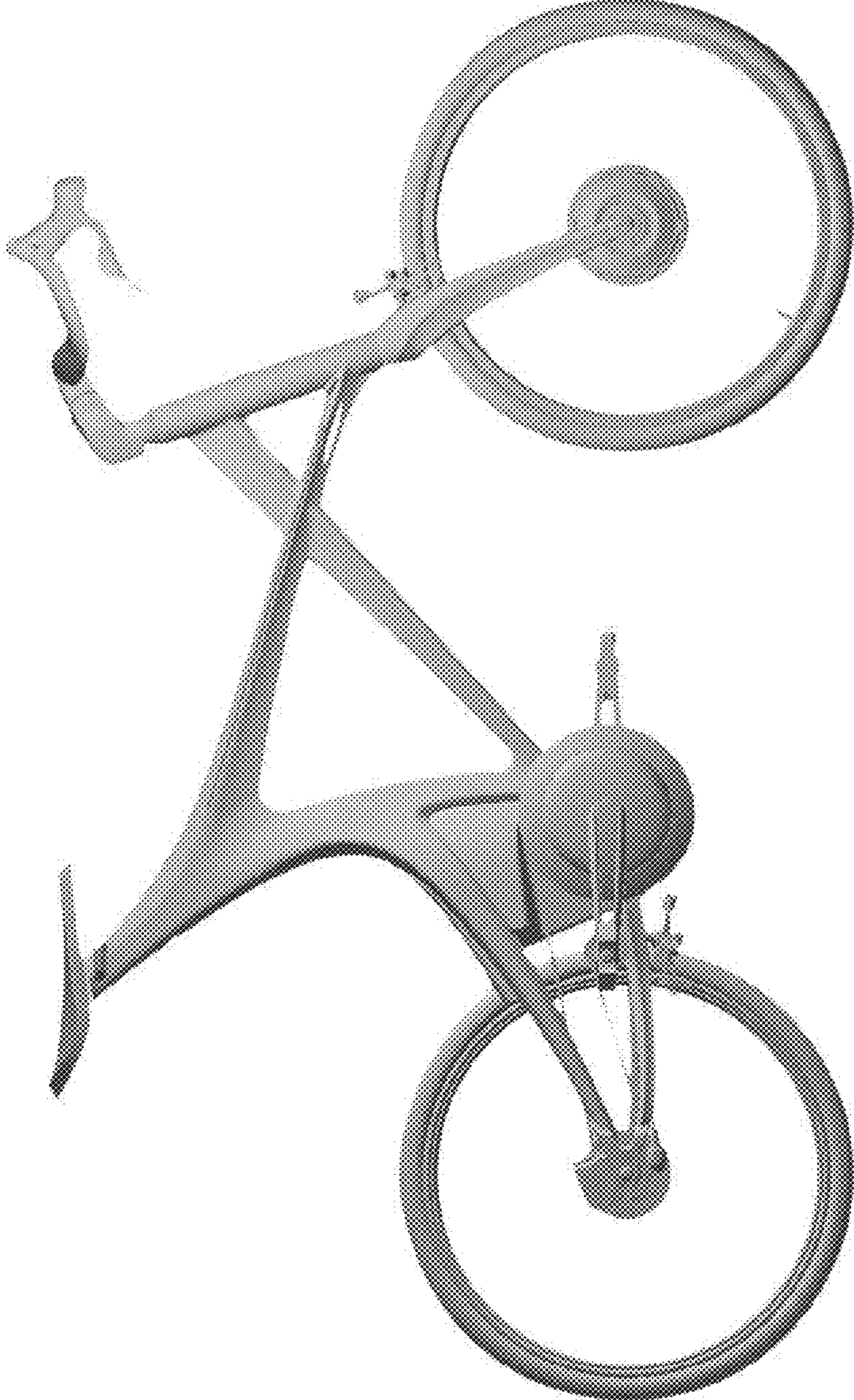


FIG. 5

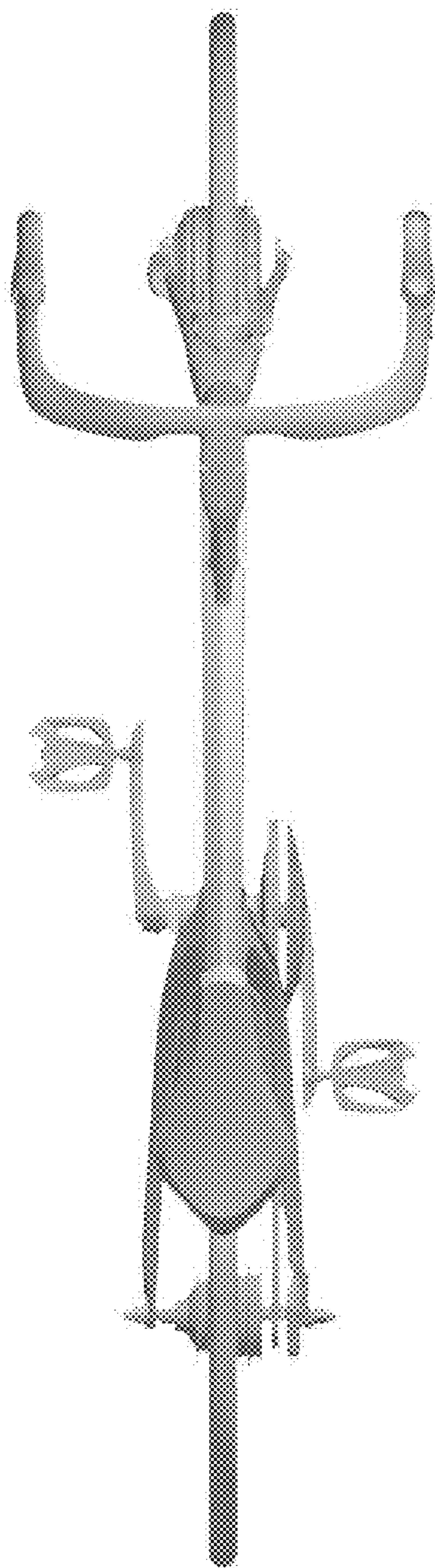


FIG. 6

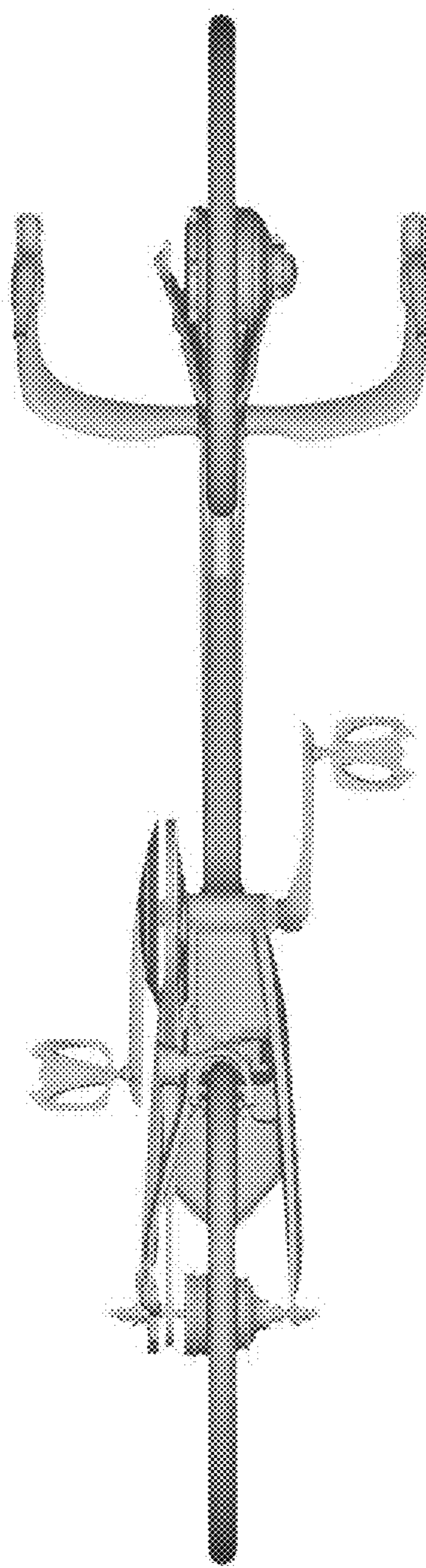


FIG. 7