



US00D616334S

(12) **United States Design Patent**
Okonsky et al.

(10) **Patent No.:** **US D616,334 S**

(45) **Date of Patent:** **** May 25, 2010**

(54) **SCOOTER**

(75) Inventors: **Christian Gerard Okonsky**, Austin, TX (US); **Hayes M. Urban**, Austin, TX (US); **Kit R. Morris**, Austin, TX (US)

(73) Assignee: **KLD Energy Technologies, Inc.**, Austin, TX (US)

(**) Term: **14 Years**

(21) Appl. No.: **29/336,632**

(22) Filed: **May 6, 2009**

(51) **LOC (9) Cl.** **12-11**

(52) **U.S. Cl.** **D12/110**

(58) **Field of Classification Search** D12/110, D12/117; 180/219, 220, 225, 229
See application file for complete search history.

(56) **References Cited**

U.S. PATENT DOCUMENTS

D403,990 S *	1/1999	Brady et al.	D12/110
D503,908 S *	4/2005	Tomomatsu et al.	D12/110
D514,987 S *	2/2006	Hsiao	D12/110
D596,992 S *	7/2009	Yang	D12/110

* cited by examiner

Primary Examiner—Philip S Hyder
Assistant Examiner—Linda G. Brooks
(74) *Attorney, Agent, or Firm*—Fish & Richardson P.C.

(57) **CLAIM**

The ornamental design for a scooter, substantially as shown and described.

DESCRIPTION

FIG. 1 is a perspective view of the scooter.

FIG. 2 is a front view of the scooter.

FIG. 3 is a back view of the scooter.

FIG. 4 is a side view of the scooter.

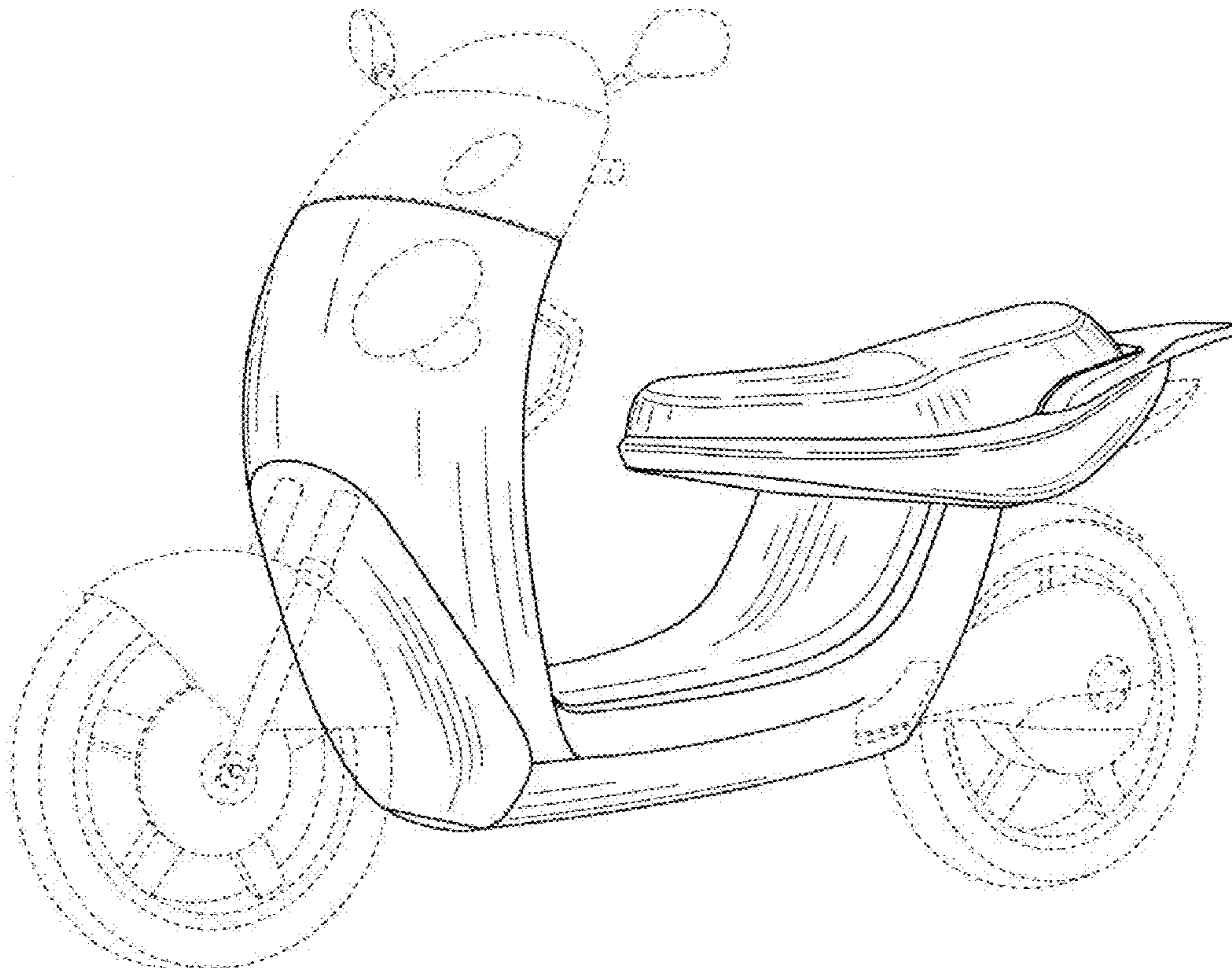
FIG. 5 is an opposite side view of the scooter.

FIG. 6 is a top view of the scooter; and,

FIG. 7 is a bottom view of the scooter.

The broken lines immediately adjacent the shaded areas define bounds of the claimed design and form no part thereof, while other broken lines illustrate portions of a scooter that form no part of the claimed design.

1 Claim, 7 Drawing Sheets



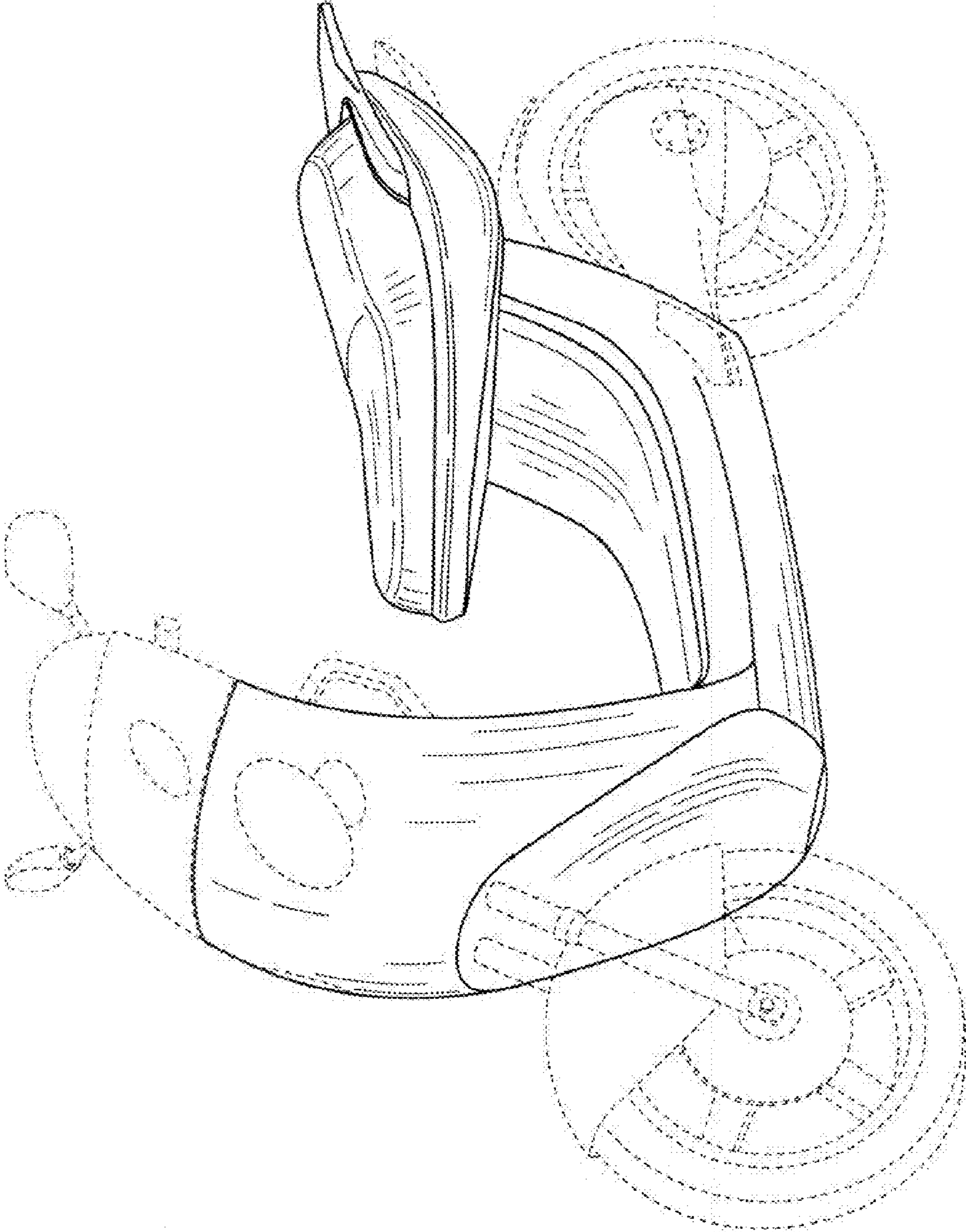


FIG. 1

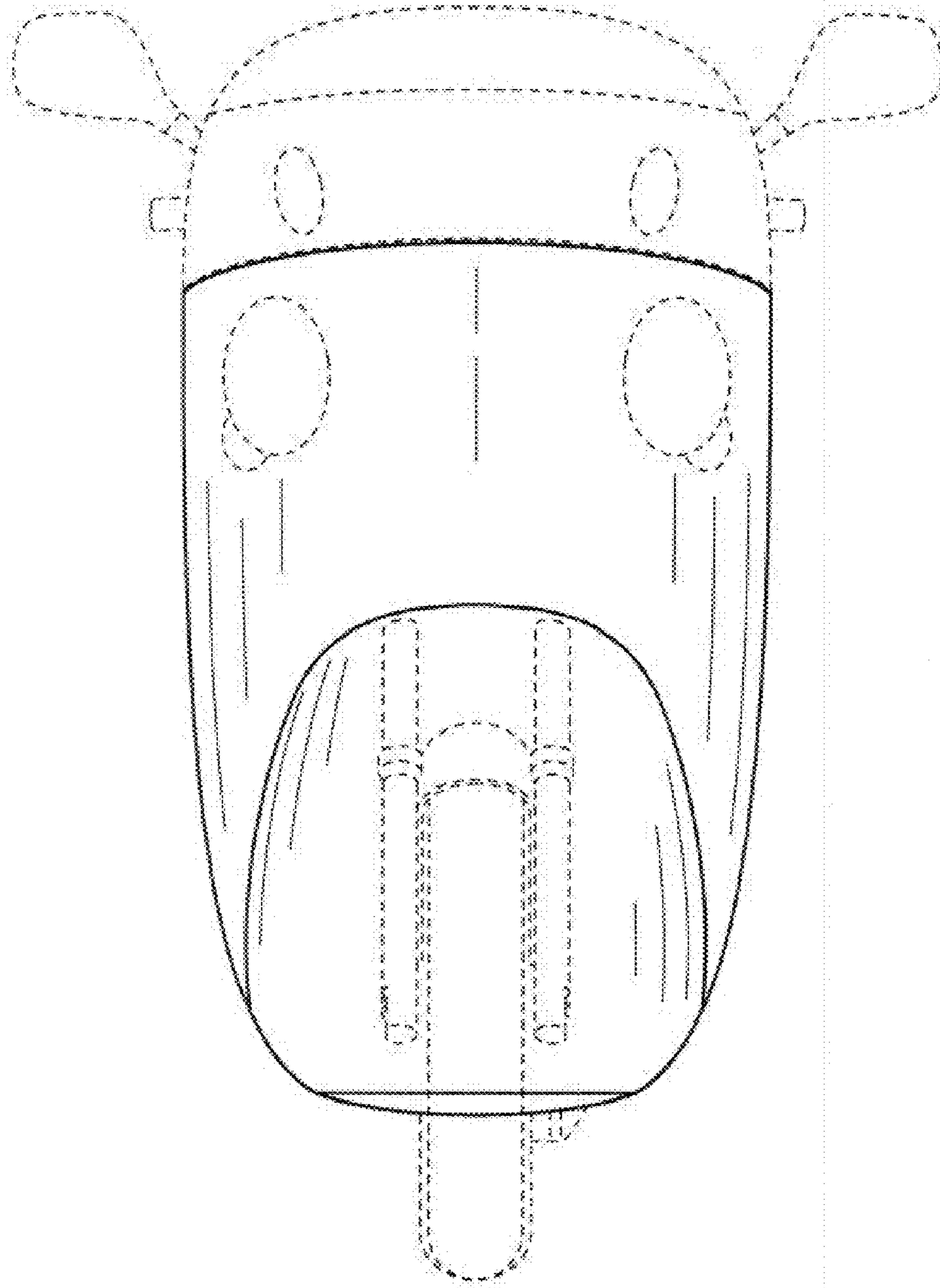


FIG. 2

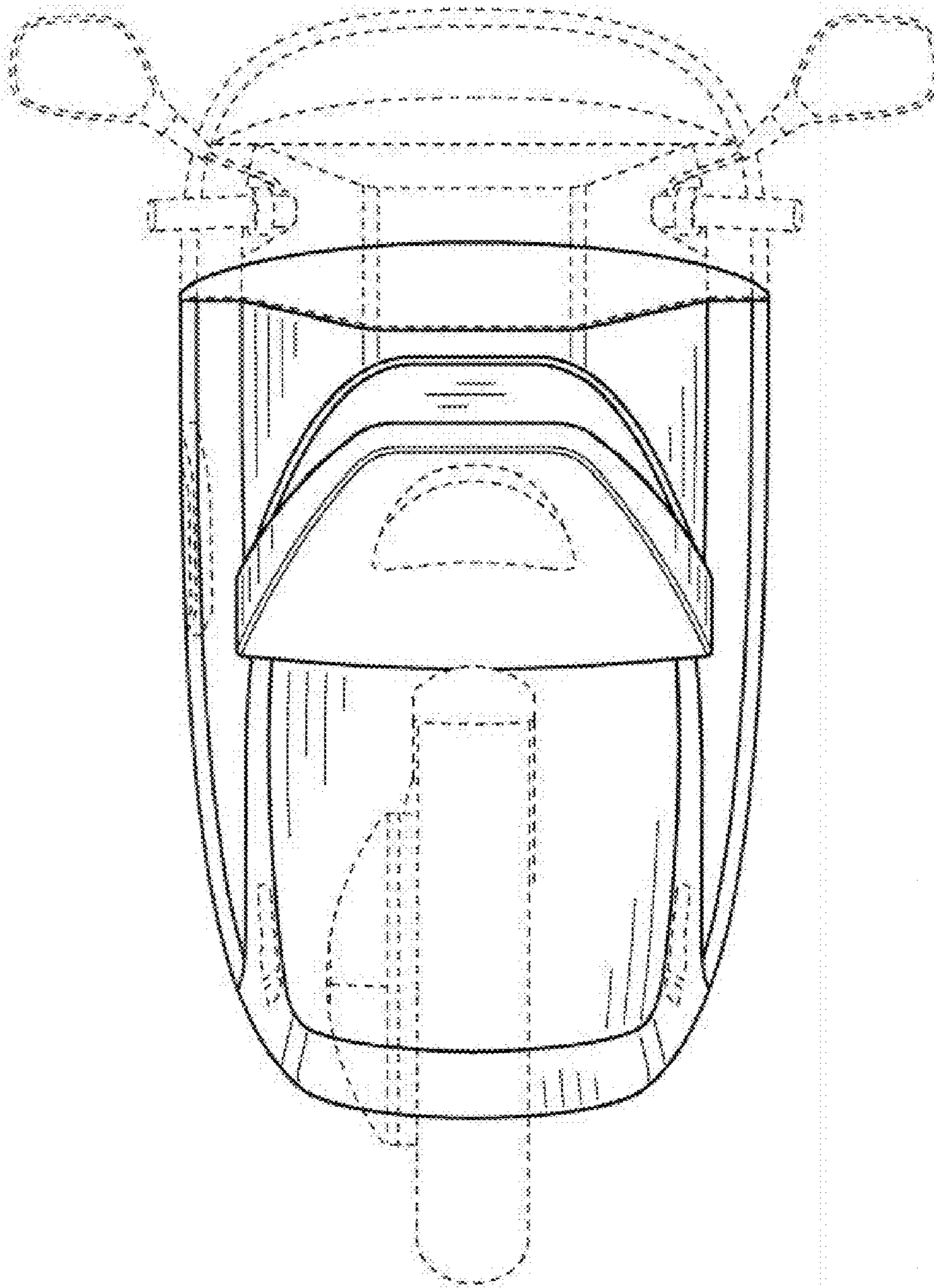


FIG. 3

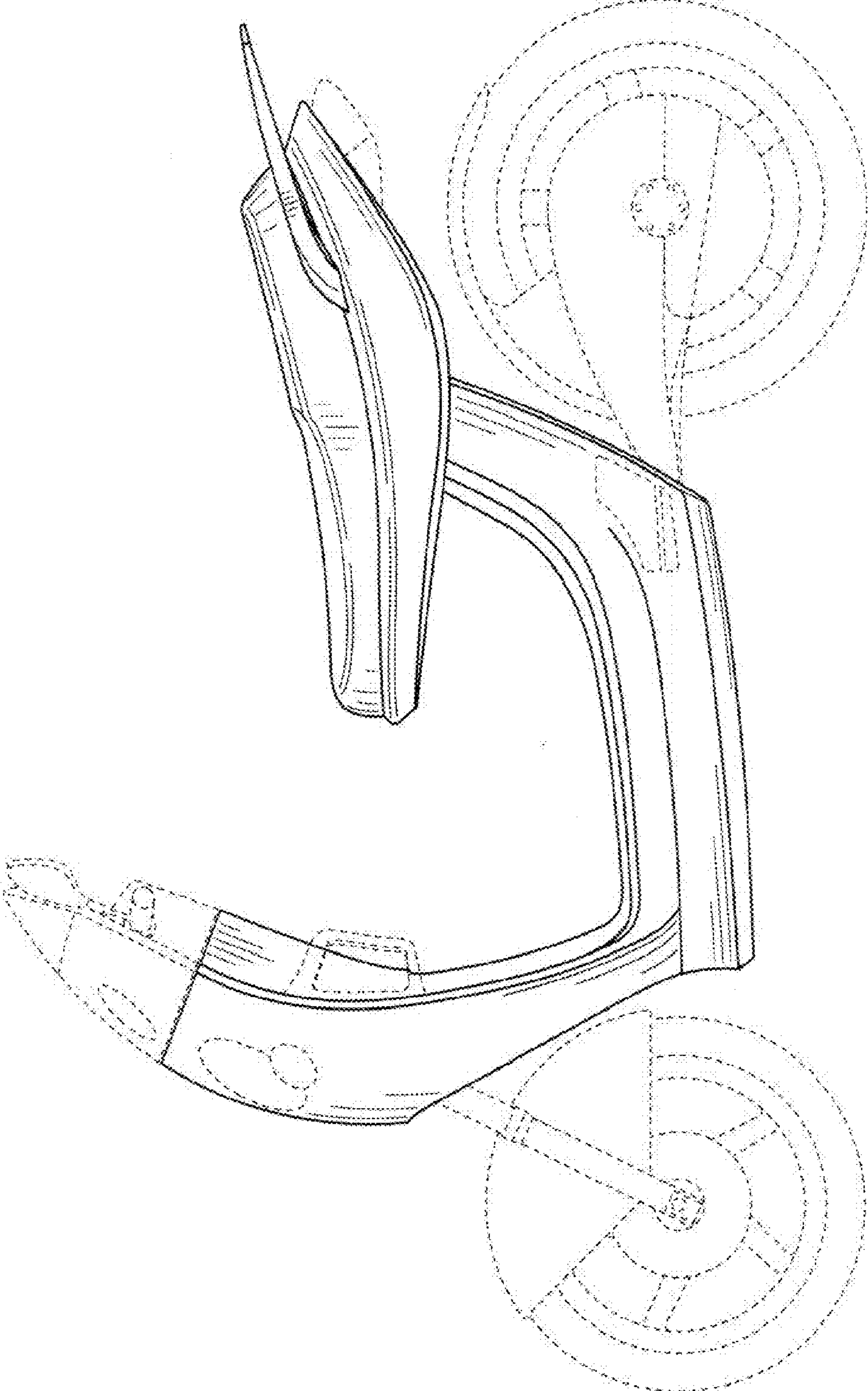


FIG. 4

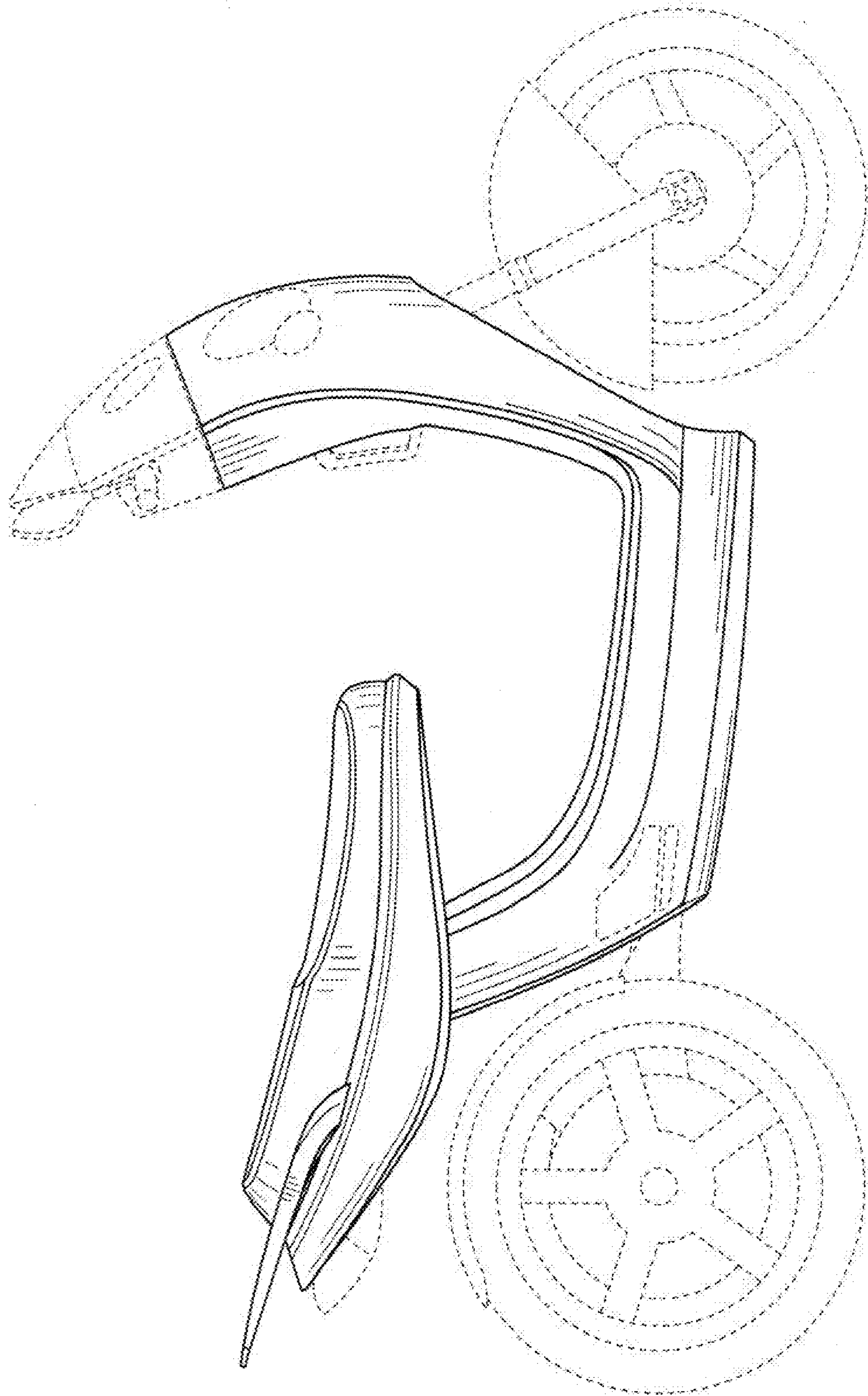


FIG. 5

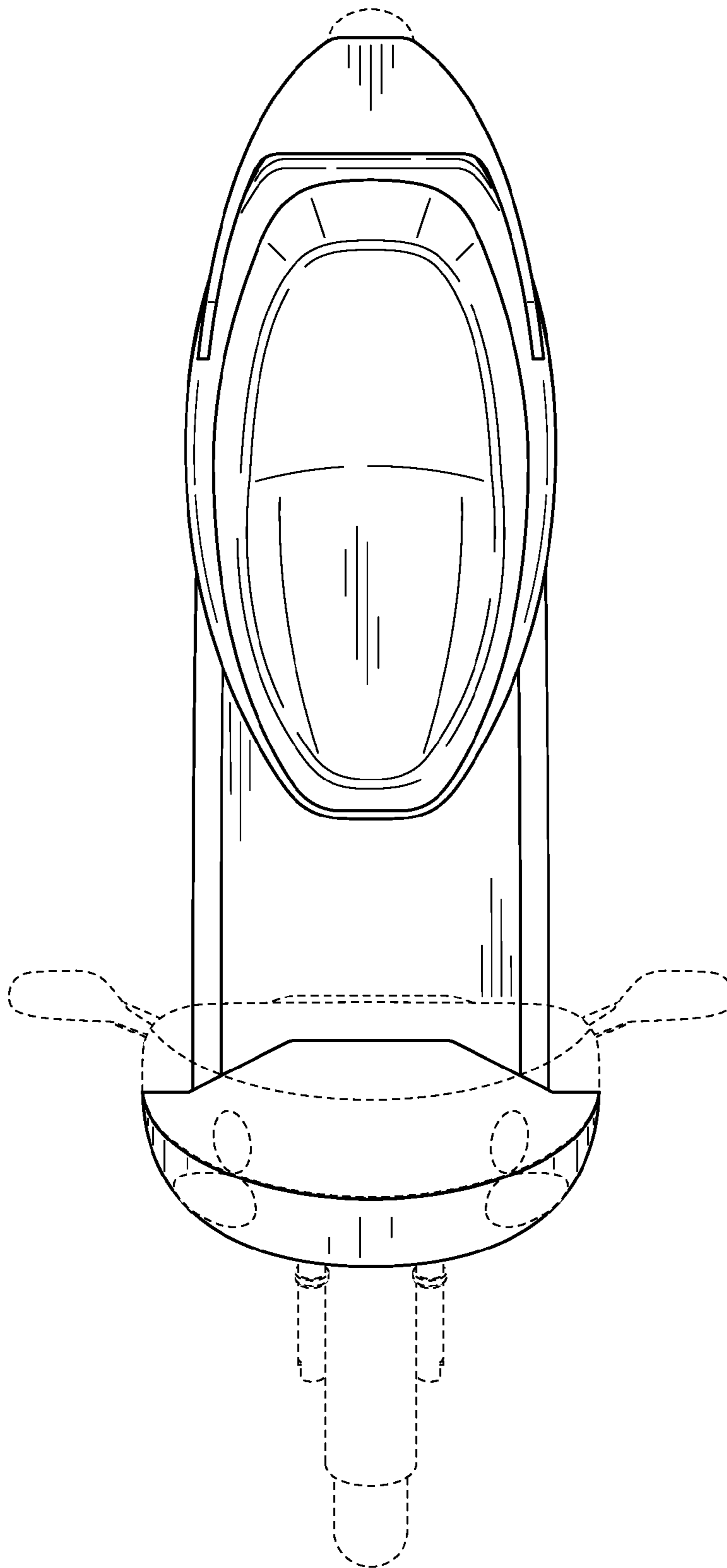


FIG. 6

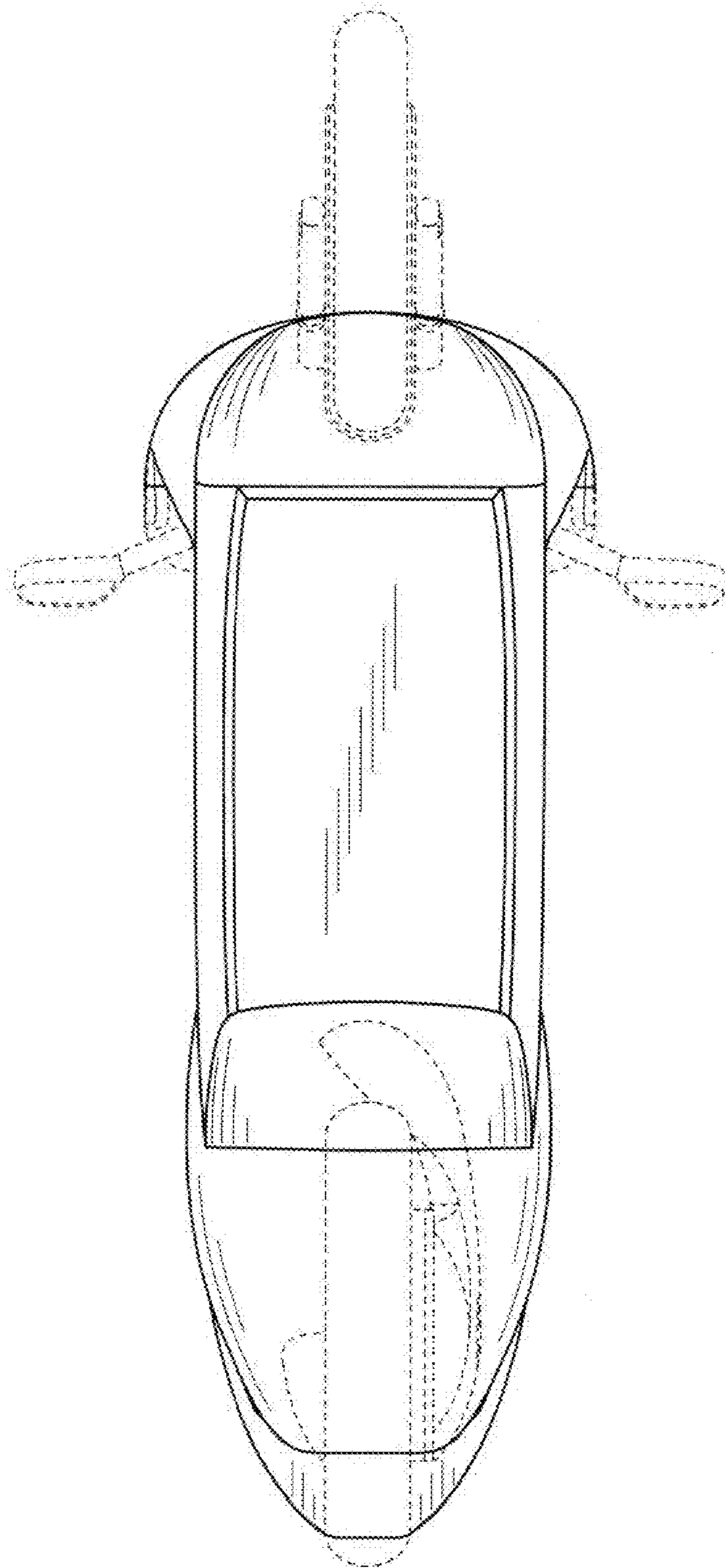


FIG. 7