



US00D616332S

(12) **United States Design Patent**
Anscher

(10) **Patent No.:** **US D616,332 S**
(45) **Date of Patent:** **** May 25, 2010**

(54) **FEMALE BUCKLE PORTION**

(76) Inventor: **Joseph Anscher**, 1928 Midlane,
Muttontown, NY (US) 11791

(**) Term: **14 Years**

(21) Appl. No.: **29/315,893**

(22) Filed: **Aug. 3, 2009**

(51) **LOC (9) Cl.** **02-07**

(52) **U.S. Cl.** **D11/216**

(58) **Field of Classification Search** D11/1-2,
D11/200-201, 203-206, 210, 212, 214-219,
D11/222, 224, 226; 24/163 R, 169-171,
24/173, 177-179, 191, 194-195, 197, 200
See application file for complete search history.

(56) **References Cited**

U.S. PATENT DOCUMENTS

2,551,019 A	5/1951	La Pierre
3,461,876 A	8/1969	Miller, Jr.
3,823,443 A	7/1974	Takabayashi
3,824,654 A	7/1974	Takabayashi
3,978,555 A	9/1976	Weisenthal
4,038,726 A	8/1977	Takabayashi
4,296,529 A	10/1981	Brown
4,866,818 A	9/1989	Thompson
4,991,267 A	2/1991	Apperson et al.
5,123,146 A	6/1992	Olson
D350,696 S	9/1994	Naslund
5,423,831 A	6/1995	Nates

5,428,871 A	7/1995	Iosif	
5,598,608 A	2/1997	Naslund	
5,706,560 A	1/1998	Anscher et al.	
D468,664 S *	1/2003	Nishida et al. D11/216
D523,376 S *	6/2006	Pontaoe D11/216

FOREIGN PATENT DOCUMENTS

DE	26 12 030	1/1977
WO	WO 93/16930	9/1993

* cited by examiner

Primary Examiner—Ralf Seifert
(74) *Attorney, Agent, or Firm*—Lollard & Roe, P.C.

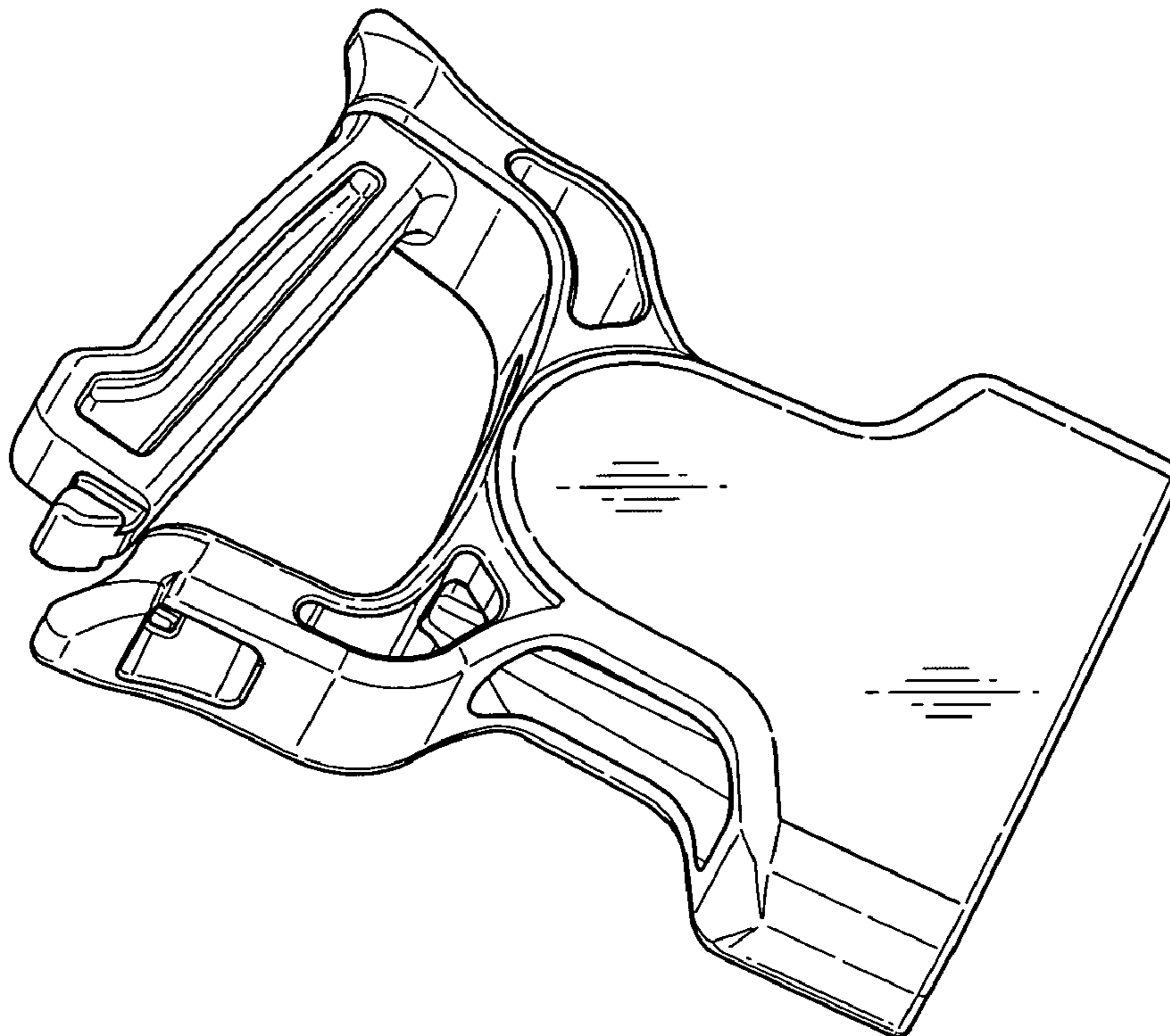
(57) **CLAIM**

The ornamental design for a female buckle portion, as shown and described.

DESCRIPTION

FIG. 1 shows a front and left side perspective view of a female buckle portion according to my new design;
FIG. 2 shows a right side view thereof;
FIG. 3 shows a rear view thereof;
FIG. 4 shows a left side view thereof;
FIG. 5 shows a top view thereof;
FIG. 6 shows a front view thereof; and,
FIG. 7 shows a bottom view thereof.

1 Claim, 3 Drawing Sheets



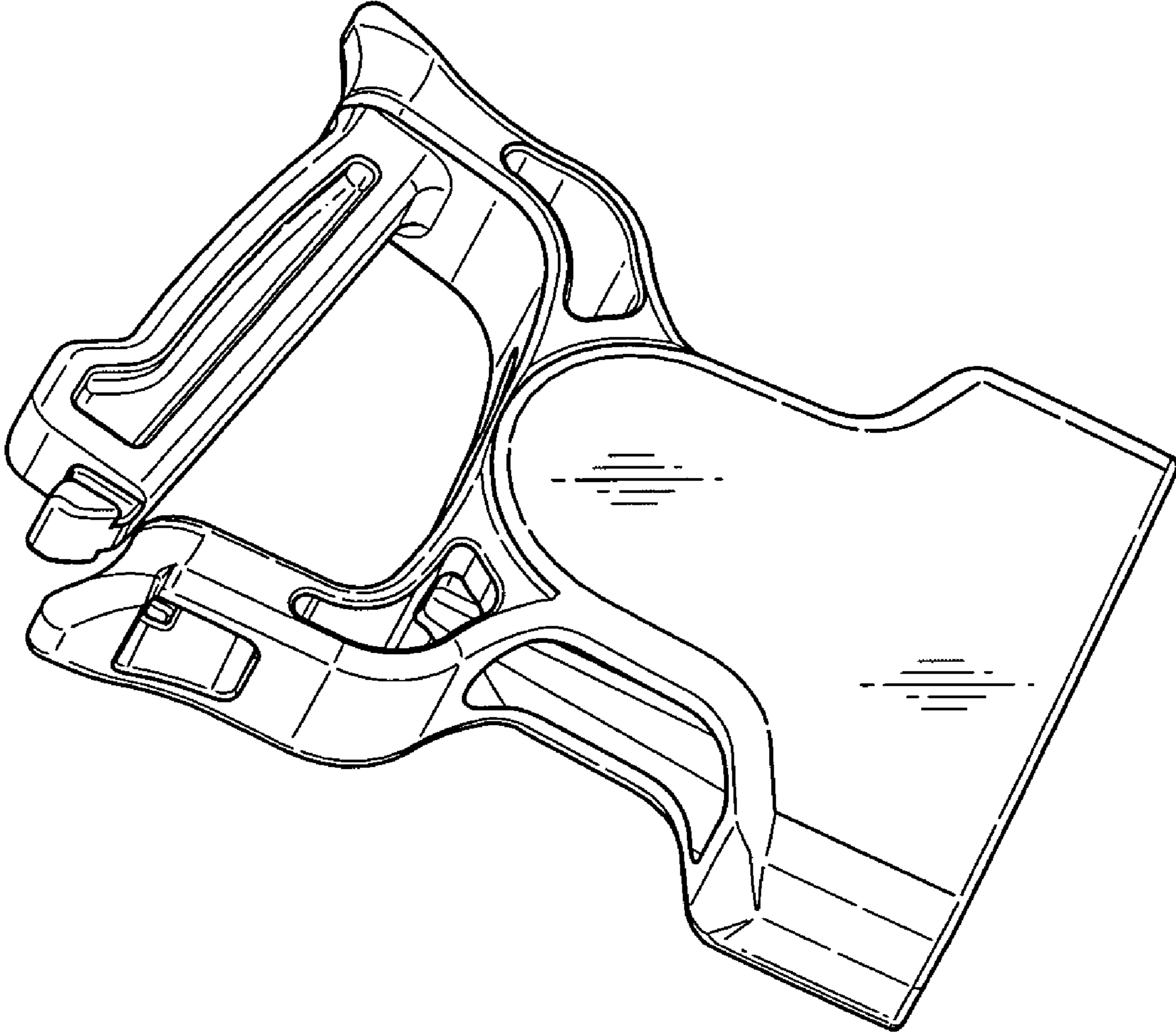


FIG. 1

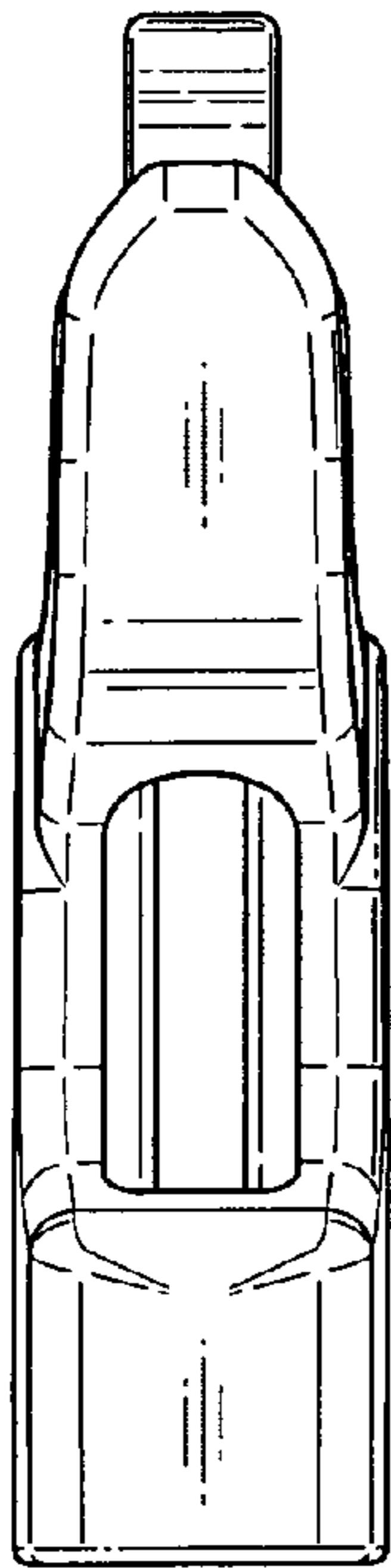


FIG. 2

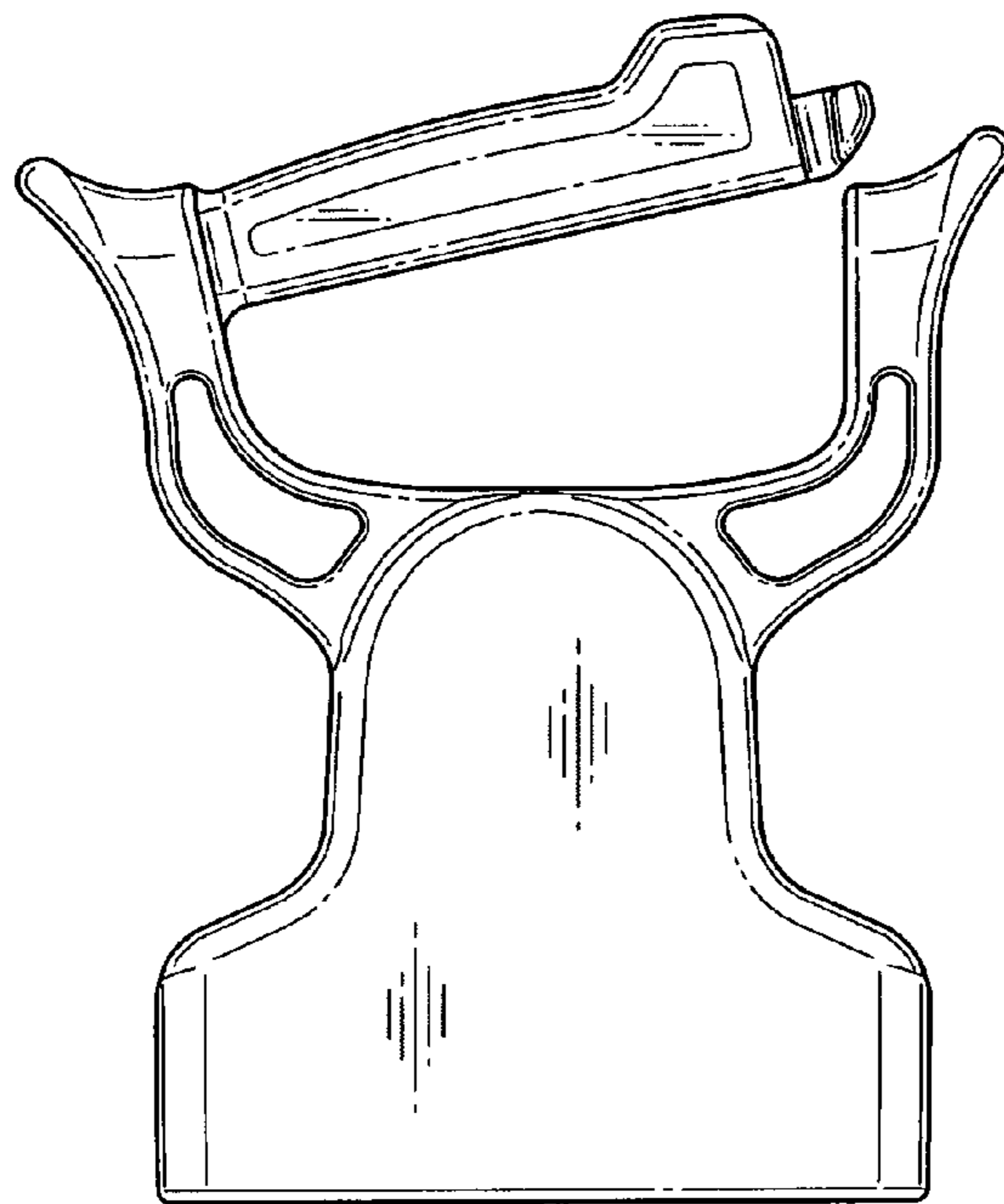


FIG. 3

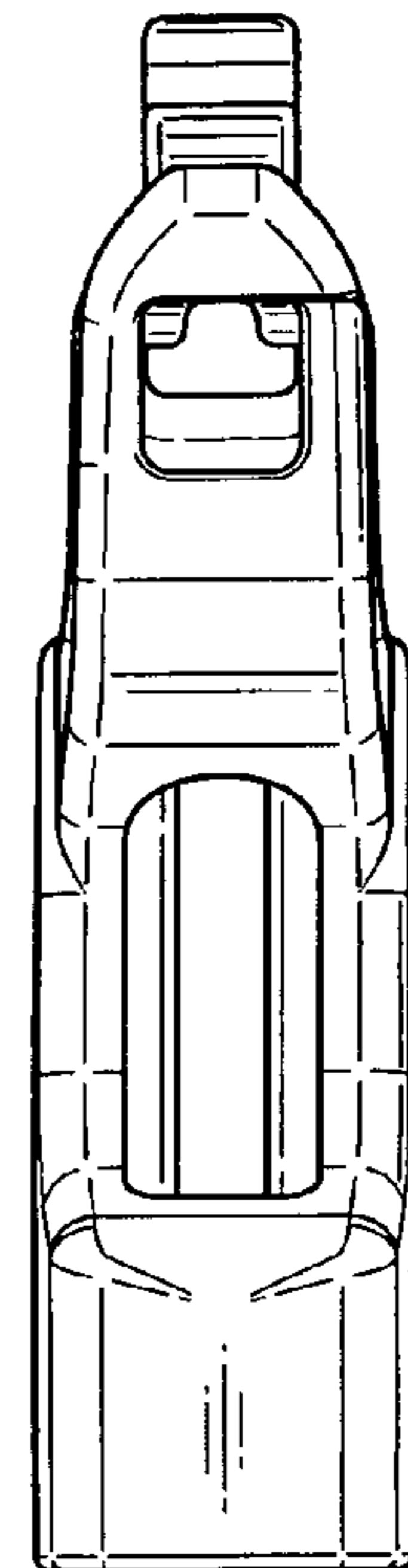


FIG. 4

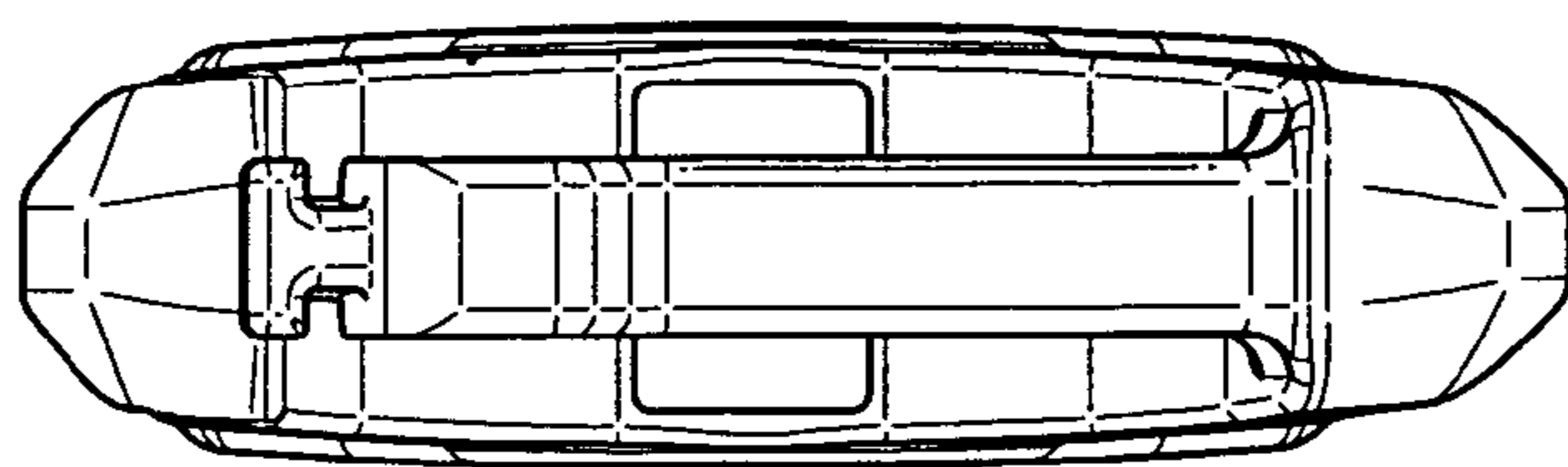


FIG. 5

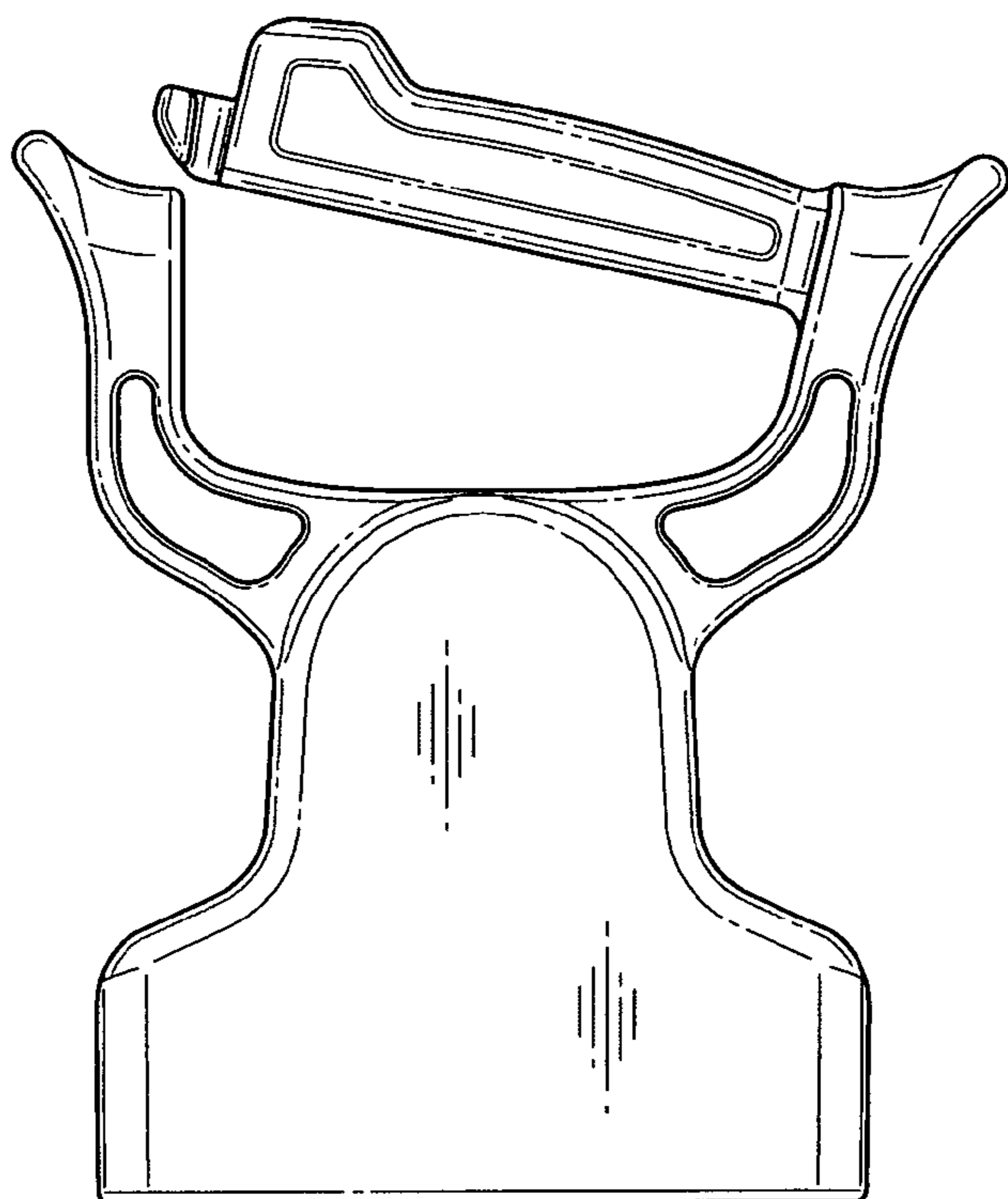


FIG. 6

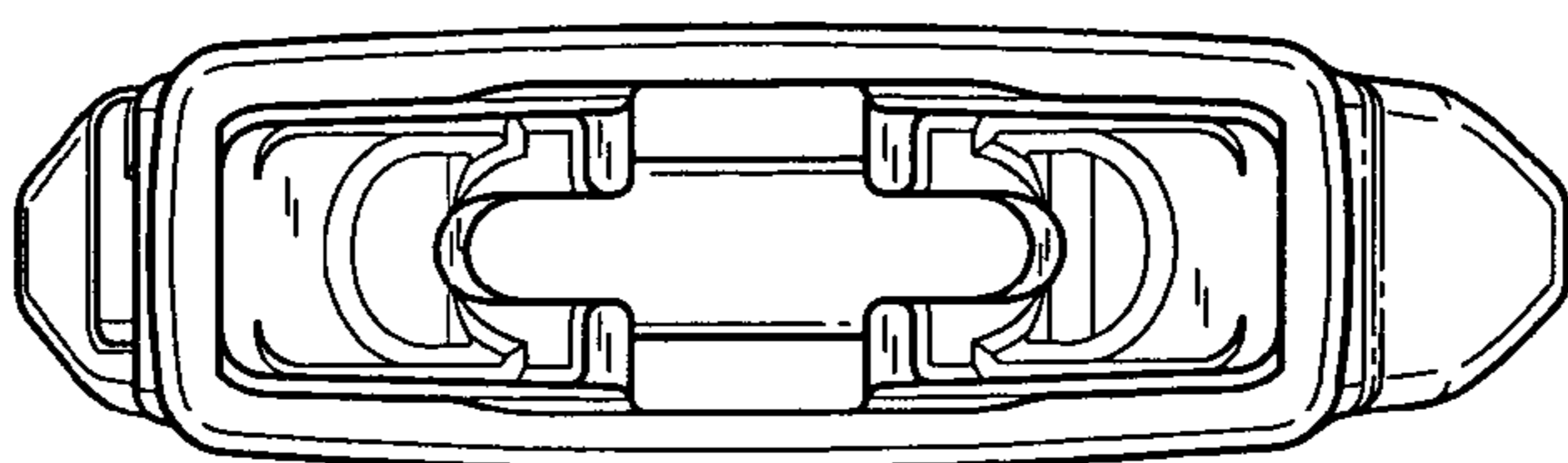


FIG. 7