



US00D616331S

(12) **United States Design Patent**  
**Anscher**

(10) **Patent No.:** **US D616,331 S**

(45) **Date of Patent:** **\*\* May 25, 2010**

(54) **FEMALE BUCKLE PORTION**

(76) Inventor: **Joseph Anscher**, 1928 Midlane,  
Muttontown, NY (US) 11791

(\*\*) Term: **14 Years**

(21) Appl. No.: **29/315,842**

(22) Filed: **Jul. 29, 2009**

(51) **LOC (9) Cl.** ..... **02-07**

(52) **U.S. Cl.** ..... **D11/216**

(58) **Field of Classification Search** ..... D11/1-2,  
D11/200-201, 203-206, 210, 212, 214-219,  
D11/222, 224, 226; 24/163 R, 169-171,  
24/173, 177-179, 191, 194-195, 197, 200  
See application file for complete search history.

(56) **References Cited**

**U.S. PATENT DOCUMENTS**

D519,056 S *	4/2006	Yoshiguchi	.....	D11/200
D524,694 S *	7/2006	Funo et al.	.....	D11/216
D544,400 S *	6/2007	Yoshiguchi	.....	D11/200
D560,551 S *	1/2008	Uehara	.....	D11/216
D591,642 S *	5/2009	Henderson et al.	.....	D11/216

\* cited by examiner

*Primary Examiner*—Ralf Seifert

(74) *Attorney, Agent, or Firm*—Collard & Roe, P.C.

(57) **CLAIM**

The ornamental design for a female buckle portion, as shown and described.

**DESCRIPTION**

FIG. 1 shows a top, front and left side perspective view of a female buckle portion according to my new design, with a top, front and right side perspective view (not shown) being a mirror image thereof;

FIG. 2 shows a top, rear and left side perspective view thereof, with the top, rear and right side perspective view (not shown) being a mirror image thereof;

FIG. 3 shows a top view thereof;

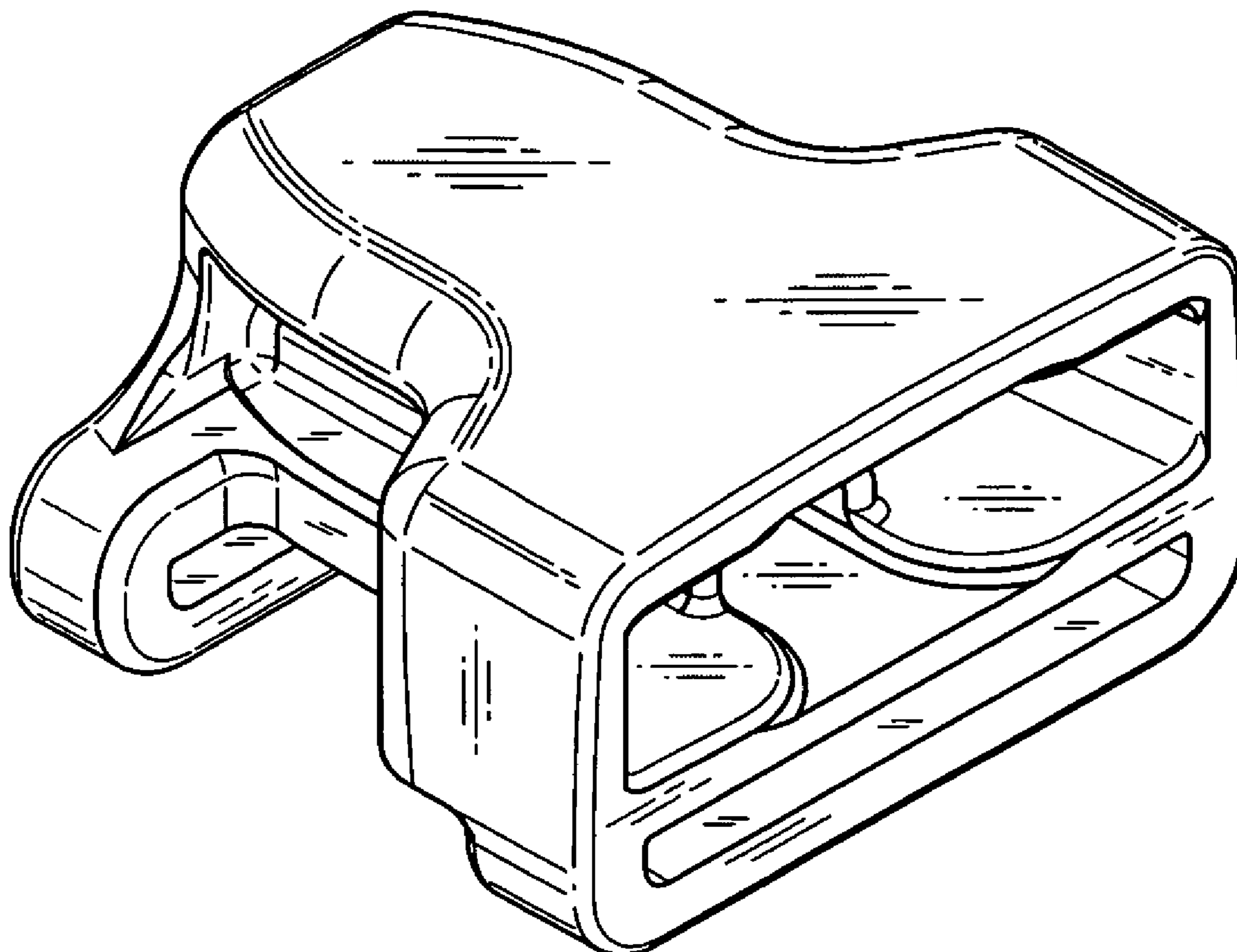
FIG. 4 shows a bottom view thereof;

FIG. 5 shows a rear view thereof;

FIG. 6 shows a left side view thereof, with the right side view being a mirror image thereof; and,

FIG. 7 shows a front view thereof.

**1 Claim, 3 Drawing Sheets**



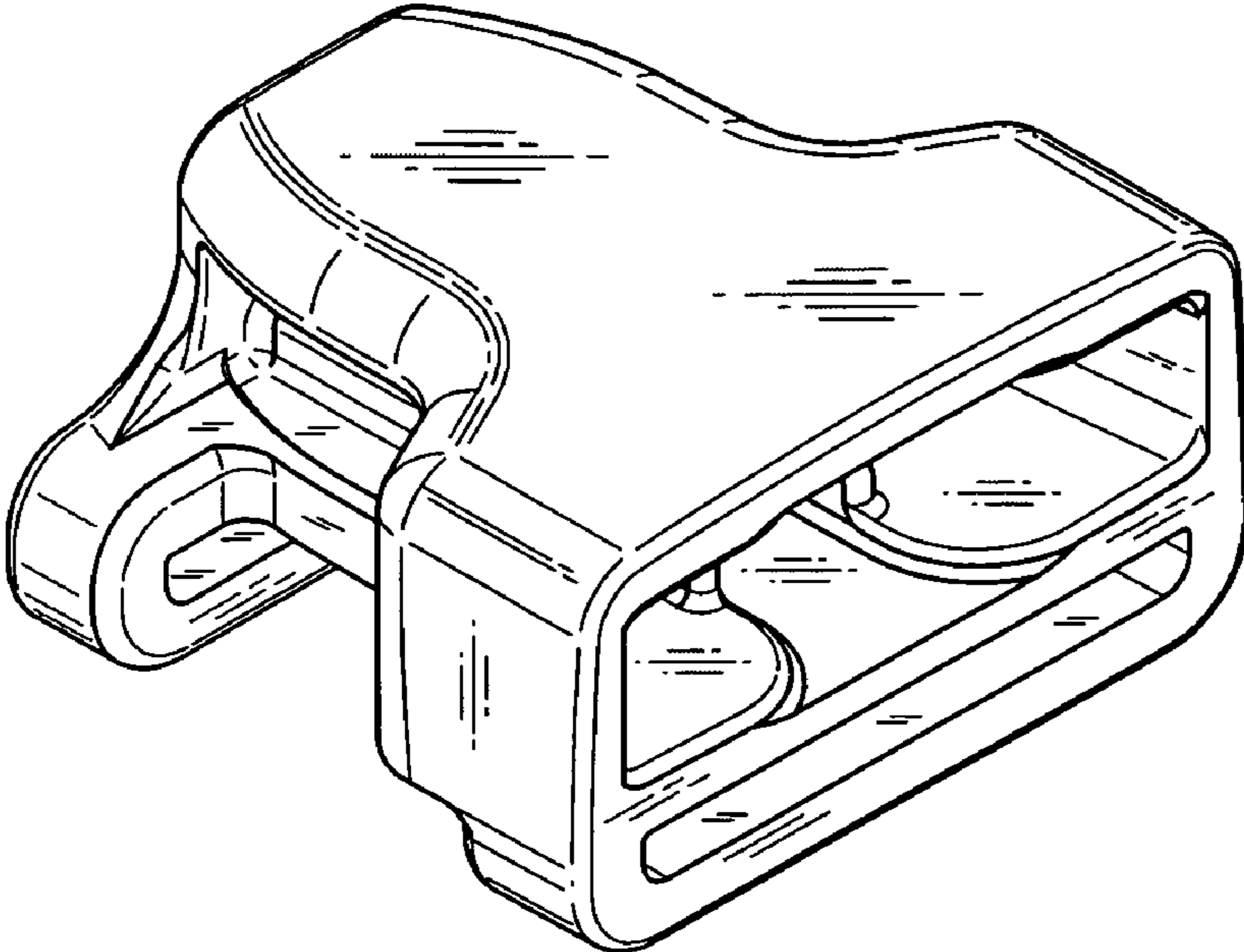


FIG. 1

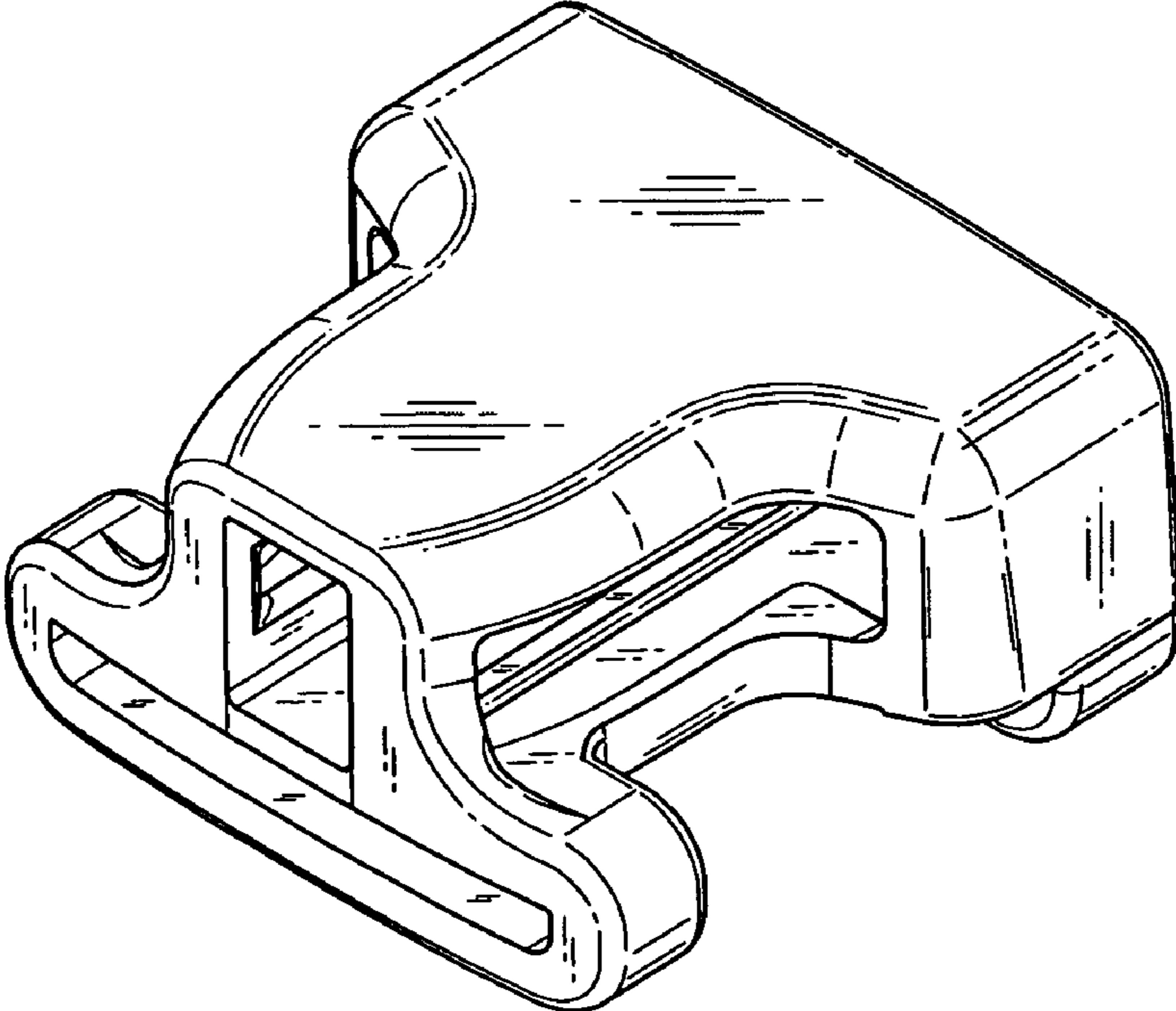


FIG. 2

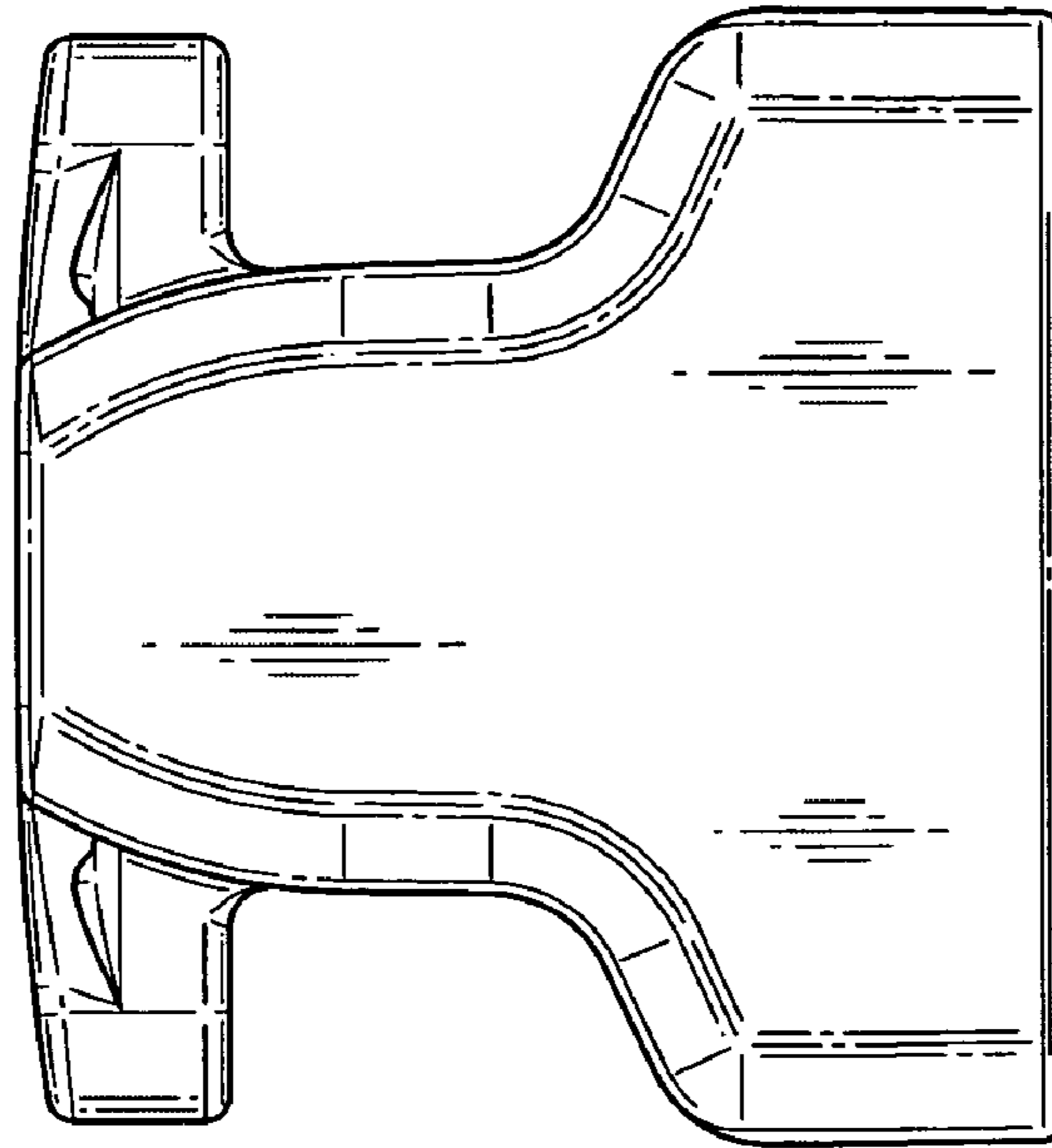


FIG. 3

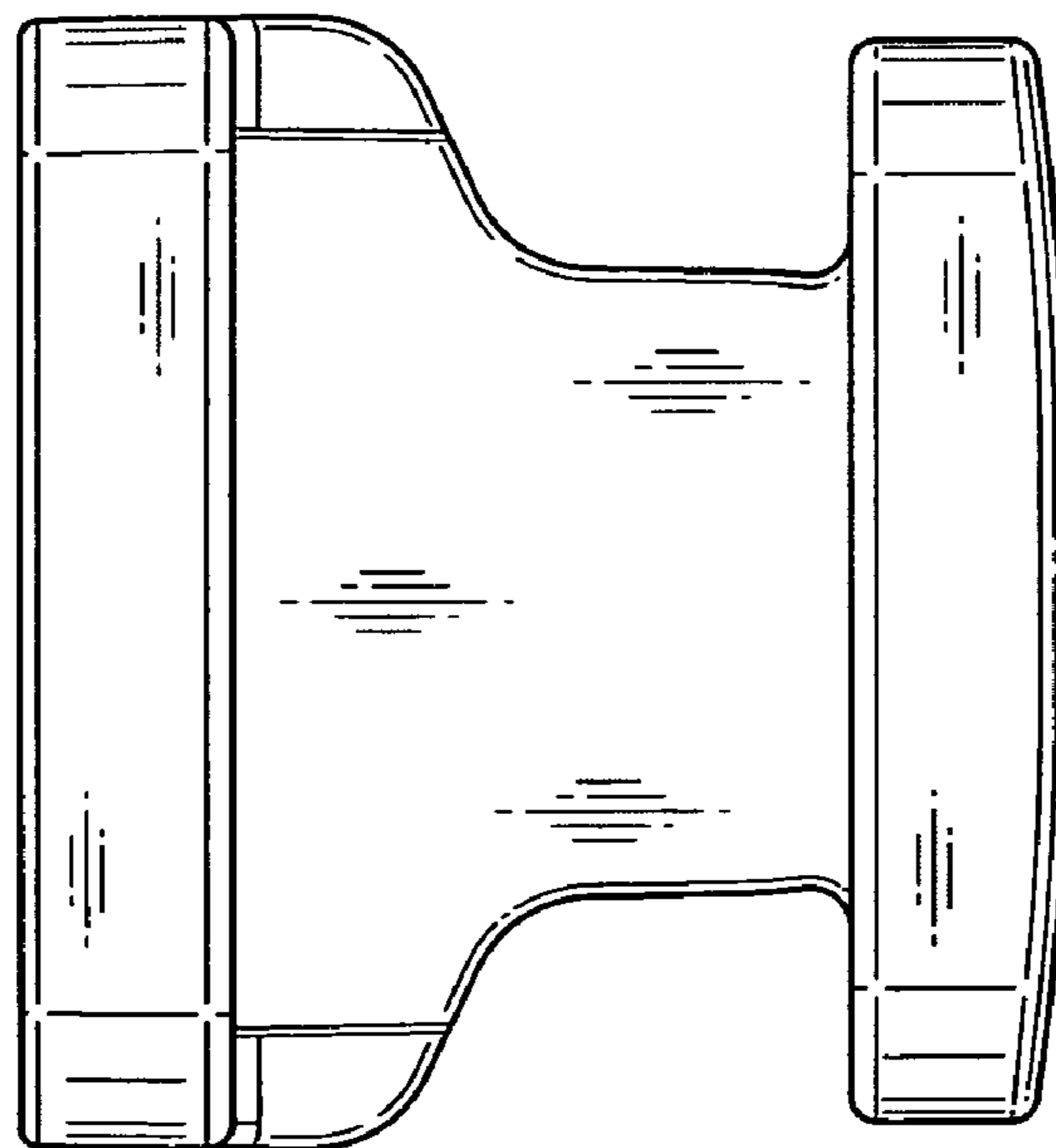


FIG. 4

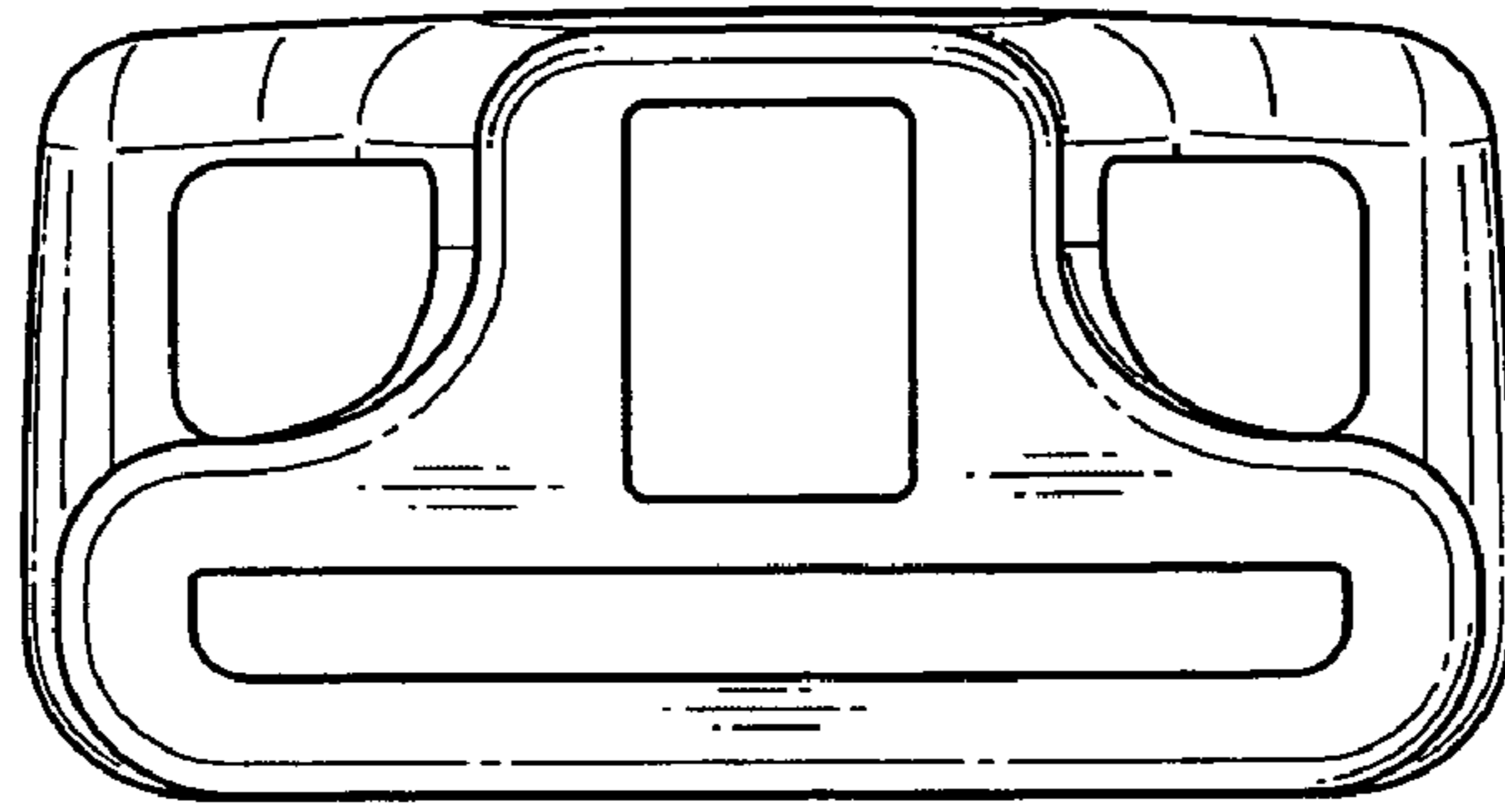


FIG. 5

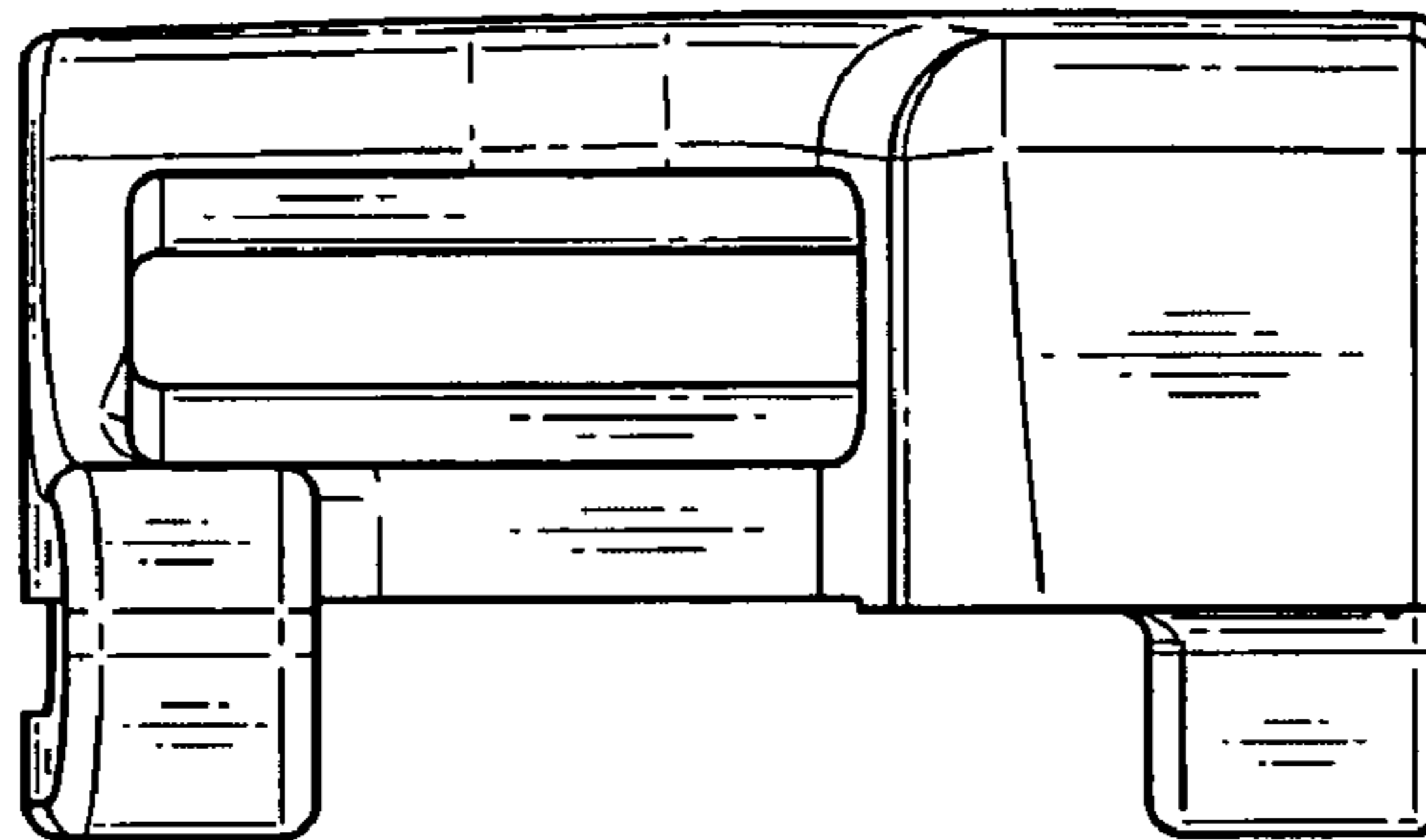


FIG. 6

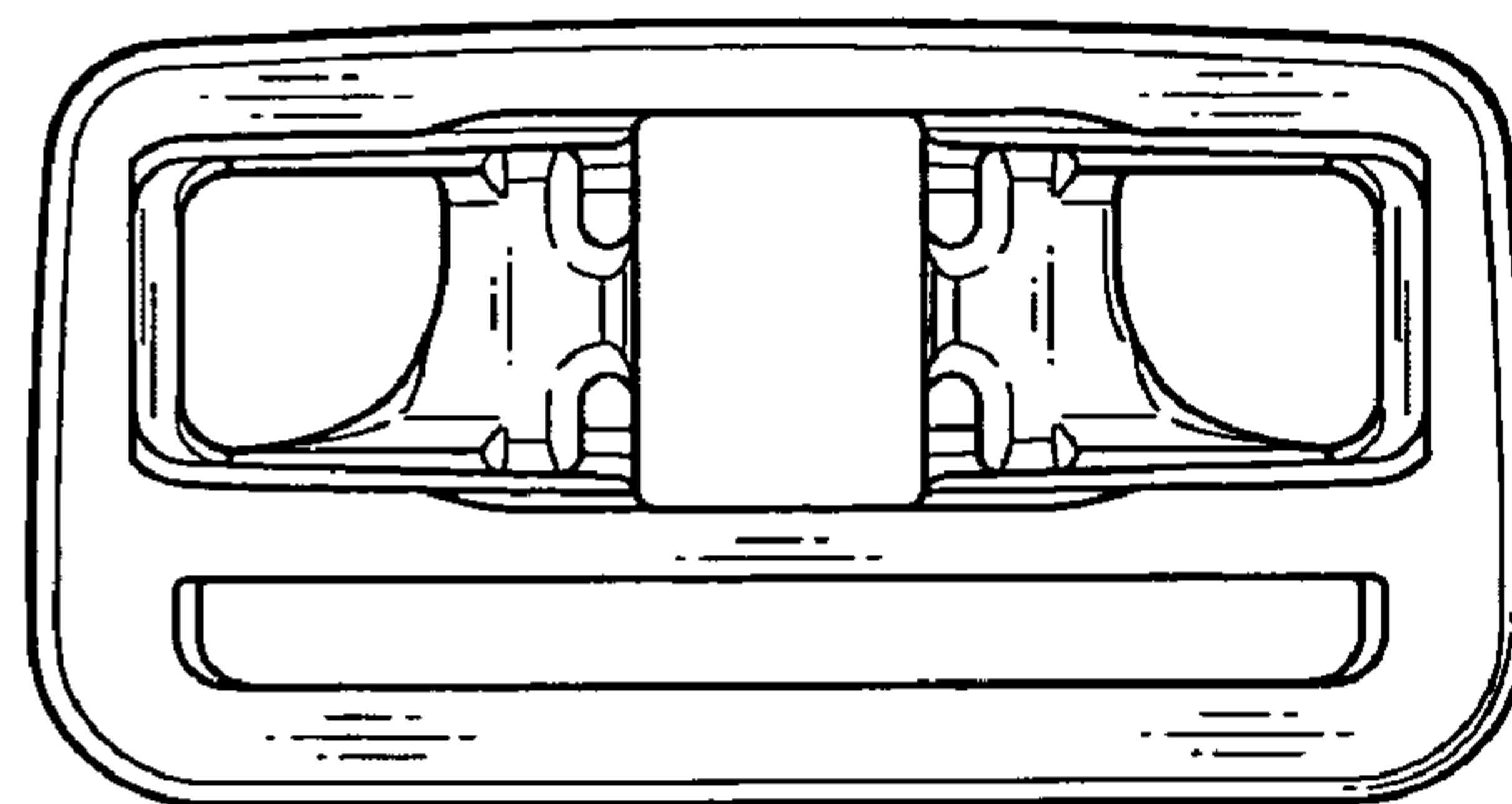


FIG. 7